



VAVANO ISLAND

ELICA PRO SERIES



LED light



IN/OUT Backlit Knob

Designed to be suspended above a kitchen island, Vavano's crisp lines, beveled rim and gleaming stainless steel deliver professional cooking with a sense of style. Give your kitchen a splash of Italian design with a box style island hood that has the extra depth and power required to support professional ranges and cooktops.

Available in 42" and 48" widths, Vavano Island comes equipped with a powerful 600 CFM internal blower and backlit hidden metallic in/out knobs, which operate the 4 speed blower and LED lighting. In addition, its professional stainless steel angled baffle filters provide an easy maintenance and help to have a cleaner kitchen.

Dimensions | Models

42" W x 24" D x 12 1/8" H | EVI642SS
VAVANO ISLAND 42"

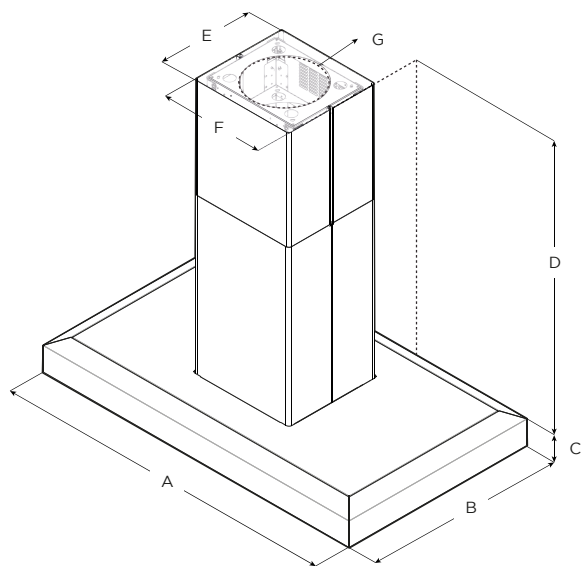
48" W x 24" D x 12 1/8" H | EVI648SS
VAVANO ISLAND 48"



FEATURES

Size (in) & Type	42" or 48" wide Wall Chimney
Finish	Stainless Steel
Controls	IN/OUT Backlit Knob
Illumination	2 LED 7.5 watts LED light, replaceable lamps (1 intensity)
Installation Type	Ducted Installation Only
Blower Type	Speed 1, 205 CFMs Speed 2, 350 CFMs Speed 3, 510 CFMs Speed 4, 600 CFMs
Filter Type	Dishwasher-Safe, Professional Stainless Steel, Angled Baffle Filters 2(42" Unit) 3(48" Unit)
Noise (sones):	Min: 3.21, Max: 7.7 Sones
Duct Transition	8" Round with Back Draft Damper (top only)
Electrical	120 Volts, 60 Hertz

Line Drawing



	Models	
	EVI642SS	EVI648SS
A	42" (106.7 cm)	48" (122 cm)
B	24 ³ / ₈ " (62 cm)	
C	5 ¹ / ₁₆ " (12.8 cm)	
D	MAX: 51 ¹⁵ / ₁₆ " (129.4 cm) MIN: 30" (76 cm)	
E	12" (30.5 cm)	
F	13 ³ / ₁₆ " (33.2 cm)	
G	8" (20 cm)	

PLUS

**HUSH SYSTEM**

An exclusive sound deadening technology that effectively reduces sound levels by over 35%, compared to typical range hoods.

**LED LIGHT**

LED lighting is undoubtedly the smartest solution in terms of energy saving. Expected life time of over 20.000 hours, represents the most remarkable advantage of LED light bulbs.

**PROFESSIONAL PERFORMANCE**

Special features and very high performances for models with aspiration capacity between 600 and 1200 CFM's, and noise level between 65 and 75 db(A) at maximum speed. The ideal complement of PRO ranges.

**HEAT GUARD**

A safety feature that protects the hood and cabinetry from excessive heat, by sensing extreme temperatures (>158 degrees) and will automatically adjust the blower speed to HIGH. Blower speed will automatically adjust back once temperatures drop to a safe level.