



VAVANO WALL

ELICA PRO SERIES



LED light



IN/OUT Backlit Knob

Give a splash of Italian design to your professional kitchen with Vavano's crisp lines, seamless welded corner craftsmanship, beveled rim and gleaming stainless steel. No ear plugs required with Vavano's HUSH sound suppression system, which enables you to comfortably talk and entertain, even when cooking up a storm.

Available in 36" and 48" widths, Vavano features backlit hidden knob controls, which operate the 4-speed blower and LED lighting. Easy maintenance and a cleaner kitchen are assured with professional stainless steel angled baffle filters.

Dimensions | Models

36" W x 24" D x 12 1/8" H | EVV636SS
VAVANO 36"

48" W x 24" D x 12 1/8" H | EVV648SS
VAVANO 48"



HUSH



LED LIGHT



PROFESSIONAL PERFORMANCE

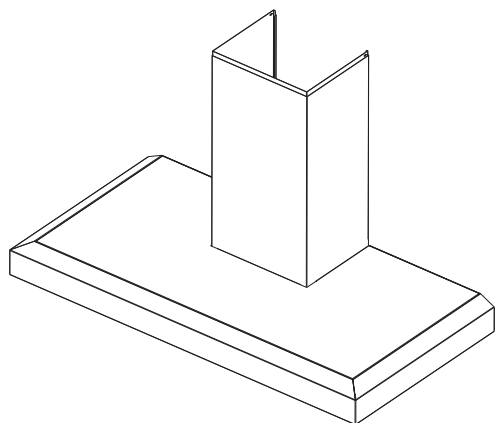


HEAT GUARD

FEATURES

Size (in) & Type	36" or 48" wide Wall Chimney
Finish	Stainless Steel
Controls	IN/OUT Backlit Knob
Illumination	2 LED 7.5 watts LED light, replaceable lamps (1 intensity)
Installation Type	Ducted Installation Only
Blower Type	Speed 1, 202 CFMs Speed 2, 350 CFMs Speed 3, 510 CFMs Speed 4, 600 CFMs *Optional 1200 CFM with external blower kit (sold seperatly)
Filter Type	Dishwasher-Safe, Professional Stainless Steel, Angled Baffle Filters 2(36" Unit) 3 (48" Unit)
Noise (sones):	Min: 3.21, Max: 7.7 Sones
Duct Transition	6" Round with Back Draft Damper (top only)
Electrical	120 Volts, 60 Hertz

Line Drawing



PLUS



HUSH SYSTEM
An exclusive sound deadening technology that effectively reduces sound levels by over 35%, compared to typical range hoods.



LED LIGHT
LED lighting is undoubtedly the smartest solution in terms of energy saving. Expected life time of over 20.000 hours, represents the most remarkable advantage of LED light bulbs.



PROFESSIONAL PERFORMANCE
Special features and very high performances for models with aspiration capacity between 600 and 1200 CFM's, and noise level between 65 and 75 db(A) at maximum speed. The ideal complement of PRO ranges.



HEAT GUARD
A safety feature that protects the hood and cabinetry from excessive heat, by sensing extreme temperatures (>158 degrees) and will automatically adjusts the blower speed to HIGH. Blower speed will automatically adjust back once temperatures drop to a safe level.

