

ARIA



UNDER-CABINET
TECHNE ASPIRE

Dimensions

30"W x 20"D x 4 3/4"H
36"W x 20"D x 4 3/4"H

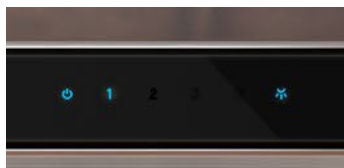
Models

EAI430SS ARIA 30" Stainless
EAI436SS ARIA 36" Stainless

Special features



LED lighting



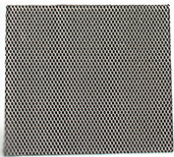
With a compact 4 3/4" height, Aria is an ideal choice where under-cabinet space is limited. Its upgraded 430 CFM internal blower provides sufficient ventilating power for most kitchens. Aria also offers the luxury and convenience of LED dimmable lighting with 2 microhole filters, multi-function touch controls. Available in 30" or 36" width, Aria is designed for standard ducted installation and can also be used as a recirculating system using the kit available as an accessory.

FEATURES

Size (in) & Type Finish	30" or 36" Wide Under-Cabinet Stainless Steel
Controls	Multi-function touch controls.
Illumination	2 Dimmable LED
Installation Type	Ducted or Recirculating Installation Recirculating Kit Sold Separately
Blower Type	430 CFM, 4-Speed Internal
Blower Performance	Speed 1, 160 CFM, 1.4 Sones Speed 2, 240 CFM, 3.1 Sones Speed 3, 310 CFM, 4.9 Sones Speed 4, 430 CFM, 7.1 Sones
Filter Type	2, Dishwasher-Safe, Microhole filters
Duct Transition	3 1/4" x 10" with Back Draft Damper (top or rear), or 7" Round (top) sold separately
Electrical	120V-60Hz 445 Watts at 3.6 Amps
Warranty	2 Year Parts & Labor, In-Home Service

ACCESSORIES

LINE DRAWING



Optional Recirculating Kit for 30" and 36" Units

CODE: KIT02178 / MODEL: EBLRCK02 (30")
CODE: KIT02179 / MODEL: EBLRCK03 (36")



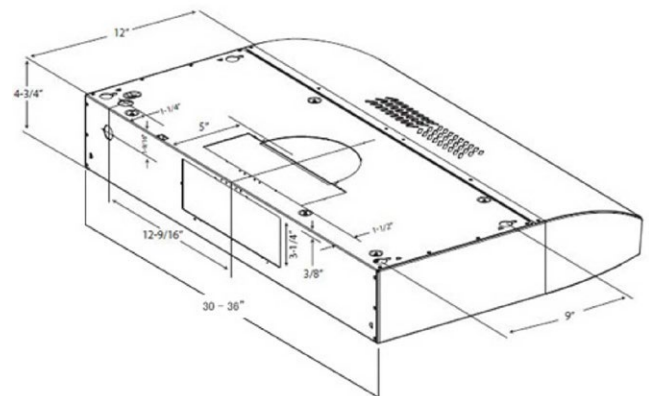
Optional Stainless Steel Mesh Grease Filter

CODE: KIT02591 / MODEL: EBLGFK30 (30")
CODE: KIT02592 / MODEL: EBLGFK36 (36")



Optional Backdraft Damper, 7" Round

CODE: KIT02723
MODEL: EXXNRVRD



CONSUMABLE PARTS

Replacement Grease Filter (1)

CODE: GF04BA (30")
CODE: GF04BB (36")

Replacement Carbon Filter (1)

CODE: TM01FA (30")
CODE: TM01FB (36")

Replacement Light Bulb (1)

CODE: 2006BH

Consumable parts are sold in units of one (1). Order accordingly.

SPECIAL FEATURES



Elica CRS:

CFM Reduction System (CRS), is an exclusive feature to Elica hoods, which enables the installer to reduce the maximum blower CFM, to meet local code requirements.