

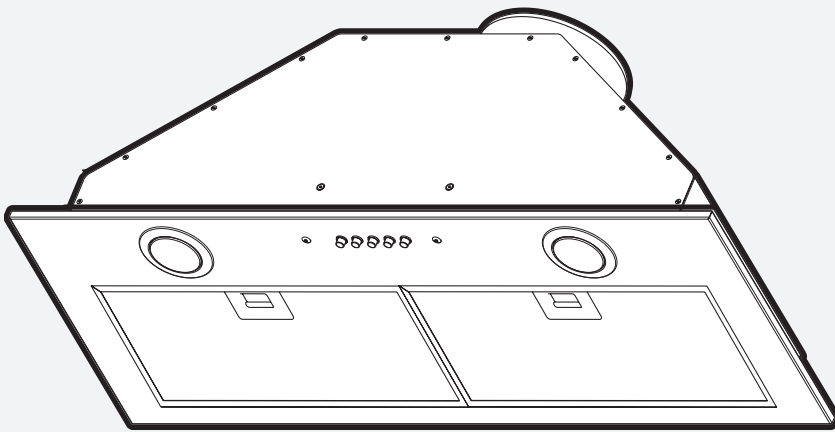
# Use, Care, and Installation Guide

---

Guide  
d'utilisation,  
d'entretien et  
d'installation

---

Guía de  
instalación, uso y  
mantenimiento



READ AND SAVE THESE  
INSTRUCTIONS

---

LISEZ CES  
INSTRUCTIONS ET  
CONSERVEZ-LES

---

LEA Y CONSERVE  
ESTAS INSTRUCCIONES

**Model:** | EAS430SS

**Contents**

Important safety notice ..... 3  
List of materials ..... 4  
    Parts supplied ..... 4  
    Parts not supplied ..... 4  
Dimensions and clearances ..... 5  
Venting requirements ..... 5  
Electrical requirements ..... 6  
Installation ..... 7  
    Install range hood ..... 9  
    Connect vent system ..... 10  
    Complete the installation ..... 10  
Description of the hood ..... 10  
Control ..... 10  
Maintenance ..... 10  
Available accessories ..... 11  
Warranty ..... 12

**APPROVED FOR RESIDENTIAL APPLIANCES  
FOR RESIDENTIAL USE ONLY  
READ AND SAVE THESE INSTRUCTIONS**

**PLEASE READ ENTIRE INSTRUCTIONS BEFORE PROCEEDING.  
INSTALLATION MUST COMPLY WITH ALL LOCAL CODES.**

**IMPORTANT:** Save these Instructions for the Local Electrical Inspector's use.  
**INSTALLER:** Please leave these Instructions with this unit for the owner.  
**OWNER:** Please retain these instructions for future reference.

**Safety Warning:** Turn off power circuit at service panel and lock out panel, before wiring this appliance.  
**Requirement:** 120 V AC, 60 Hz. 15 or 20 A Branch Circuit.

## IMPORTANT SAFETY NOTICE

- A. Do not operate any fan with a damaged cord or plug. Discard fan or return to an authorized service facility for examination and/or repair.
- B. Do not run cord under carpeting. Do not cover cord with throw rugs, runners, or similar coverings. Do not route cord under furniture or appliances. Arrange cord away from traffic area and where it will not be tripped over.

### CAUTION

FOR GENERAL VENTILATING USE ONLY. DO NOT USE TO EXHAUST HAZARDOUS OR EXPLOSIVE MATERIALS OR VAPOURS.

### WARNING

TO REDUCE THE RISK OF FIRE, ELECTRIC SHOCK, OR INJURY TO PERSONS, OBSERVE THE FOLLOWING:

- C. Use this unit only in the manner intended by the manufacturer. If you have questions, contact the manufacturer.
- D. Before servicing or cleaning the unit, switch power off at service panel and lock service panel disconnecting means to prevent power from being switched on accidentally.  
When the service cannot be locked, securely fasten a prominent warning device, such as a tag, to the service panel.
- E. Installation work and electrical wiring must be done by qualified person(s) in accordance with all applicable codes & standards, including fire-rated construction.
- F. Sufficient air is needed for proper combustion and exhausting of gases through the flue (Chimney) of fuel burning equipment to prevent back-drafting.  
Follow the heating equipment manufacturers guideline and safety standards such as those published by the national fire protection association (NFPA), the american society for heating, refrigeration and air conditioning engineers (ASHRAE), and the local code authorities.
- G. When cutting or drilling into wall or ceiling, do not damage electrical wiring and other hidden utilities.
- H. Ducted fans must always be vented to the outdoor.

### CAUTION

To reduce risk of fire and to properly exhaust air, be sure to duct air outside - do not vent exhaust air into spaces within walls, ceilings, attics, crawl spaces, or garages.

### WARNING

TO REDUCE THE RISK OF FIRE, USE ONLY METAL DUCT WORK.

Install this hood in accordance with all requirements specified.

### WARNING

To reduce the risk of fire or electric shock, do not use this hood with any external solid state speed control device.

### WARNING

TO REDUCE THE RISK OF A RANGE TOP GREASE FIRE.

- a) Never leave surface units unattended at high settings. Boilovers cause smoking and greasy spillovers that may ignite. Heat oils slowly on low or medium settings.
- b) Always turn hood ON when cooking at high heat or when flambeing food (I.e. Crepes Suzette, Cherries Jubilee, Peppercorn Beef Flambe').
- c) Clean ventilating fans frequently. Grease should not be allowed to accumulate on fan or filter.
- d) Use proper pan size. Always use cookware appropriate for the size of the surface element.

### WARNING

TO REDUCE THE RISK OF INJURY TO PERSONS, IN THE EVENT OF A RANGE TOP GREASE FIRE, OBSERVE THE FOLLOWING:<sup>a</sup>

- a) SMOTHER FLAMES with a close-fitting lid, cookie sheet, or other metal tray, then turn off the gas burner or the electric element. BE CAREFUL TO PREVENT BURNS. If the flames do not go out immediately, EVACUATE AND CALL THE FIRE DEPARTMENT.
- b) NEVER PICK UP A FLAMING PAN - you may be burned.
- c) DO NOT USE WATER, including wet dishcloths or towels - a violent steam explosion will result.
- d) Use an extinguisher ONLY if:
  - 1) You know you have a class ABC extinguisher, and you already know how to operate it.
  - 2) The fire is small and contained in the area where it started.
  - 3) The fire department is being called.
  - 4) You can fight the fire with your back to an exit.

<sup>a</sup>Based on "Kitchen Fire Safety Tips" published by NFPA.

### CAUTION

Automatically Operated Device - To Reduce The Risk Of Injury Disconnect From Power Supply Before Servicing.

### OPERATION

Always leave safety grills and filters in place. Without these components, operating blowers could catch onto hair, fingers and loose clothing.

The manufacturer declines all responsibility in the event of failure to observe the instructions given here for installation, maintenance and suitable use of the product.

The manufacturer further declines all responsibility for injury due to negligence and the warranty of the unit automatically expires due to improper maintenance.

# LIST OF MATERIALS

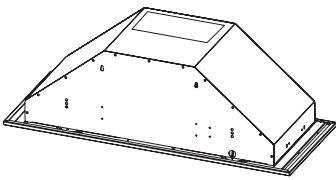
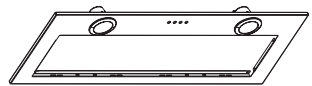





Removing the packaging.

**⚠ CAUTION**

Remove carton carefully, Wear gloves to protect against sharp edges.

**⚠ WARNING**

Remove the protective film covering the product before putting into operation.

Supplied Part	Pieces
 Hood assembly	1
 30" x 12" (76.2 cm x 30.5 cm) face panel	1
 4.5x13 mm	10
 4.2x15 mm	2
 3.5x9.5 mm	4
 4.2x19 mm	8
 3.5x9.5 mm	2

Parts no supplied

**Tools/Materials required**

- Level
- Drill
- 1/8" (3.0 mm) drill bit
- Pencil
- Pliers
- Tape measure or ruler
- Caulking gun and weatherproof caulking compound
- Flat-blade screwdriver
- Phillips screwdriver
- Saber or keyhole saw
- Metal snips
- Vent clamps

**Parts needed**

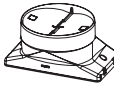

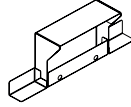

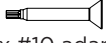


- 6" (15.2 cm) round metal vent system

**For vented installations, you will need**

- 1 wall or roof cap

**For non-vented (recirculating) installations, you will also need:**

- Recirculation Kit. See the "Available accessories" section.

Supplied Part	Pieces
 Damper	1
 Metal grease filters	2
 Mounting brackets	2
 Metal spacers	6
 Torx #10 adapter	1
 plastic washers	8
 metal washers	8

**Location requirements:**

**IMPORTANT:** Observe all governing codes and ordinances. Have a qualified technician install the range hood. It is the installer's responsibility to comply with installation clearances specified on the model/serial rating plate. The model/serial rating plate is located inside the liner behind the filter on the left wall of the range hood.

Range hood location should be away from strong draft areas, such as windows, doors, and strong heating vents. Cabinet opening dimensions that are shown must be used. Given dimensions provide minimum clearance. Consult your cooktop/ range manufacturer installation instructions before making any cutouts.

This range hood is recommended for use with cooktops with a maximum total rating of 65,000 BTUs or less. Grounded electrical outlet is required. See "Electrical Requirements" section.

The range hood is factory set for vented installations through the roof or wall. For non-vented (recirculating) installations see "Non- Vented (recirculating) Installation Through the Soffit/Cabinet" in the "Prepare Location" section.

Recirculation Kit Part is available from your dealer or an authorized parts distributor. All openings in ceiling and wall where range hood will be installed must be sealed.

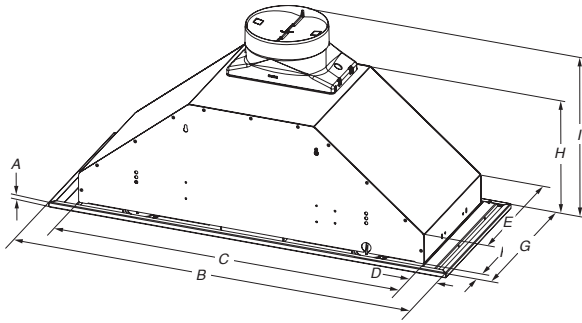
**For mobile home installations**

The installation of this range hood must conform to the Manufactured Home Construction Safety Standards, Title 24 CFR, Part 328 (formerly the Federal Standard for Mobile Home Construction and Safety, title 24, HUD, Part 280) or when such standard is not applicable, the standard for Manufactured Home Installation 1982 (Manufactured Home Sites, Communities and Setups) ANSI A225.1/NFPA 501A, or latest edition, or with local codes.

\*@TORX is a registered trademark of Saturn Fasteners, Inc.

# LOCATION REQUIREMENTS

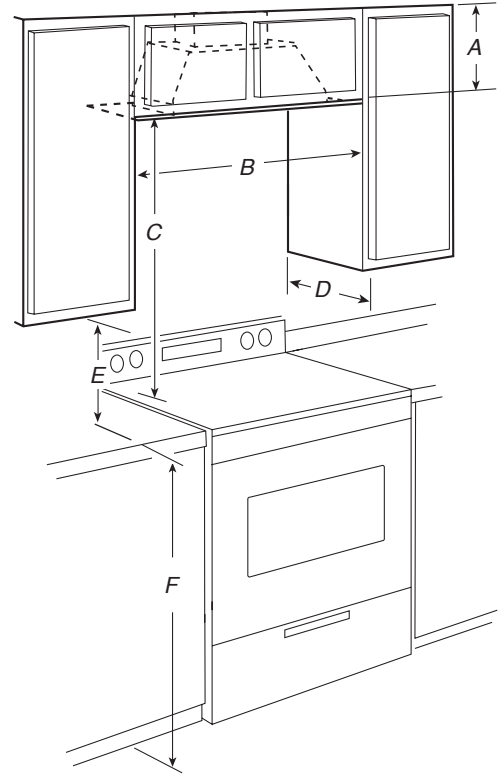
## Product dimensions



	Model
	<b>EAS430SS</b>
<b>A</b>	3/8" (10 mm)
<b>B</b>	30" (76.2 cm) or 36" (91.4 cm)
<b>C</b>	26" (66.1 cm)
<b>D</b>	2" (5.1 cm) or 5" (12.7 cm)
<b>E</b>	10 3/4" (27.4 cm)
<b>F</b>	3/4" (19 mm)
<b>G</b>	11 7/8" (30.2 cm) or 17 7/8" (45.4 cm)
<b>H</b>	9 1/8" (23.1 cm)
<b>I</b>	13 5/8" (33.7 cm)

For gas and electric ranges installation: Mount this hood so that the bottom edge is at minimum 30"(76.2 cm) above the cooking surface.

## Installation clearances



- A. 12" (30.5 cm) min. upper cabinet height
- B. 30" (76.2 cm) or 36" (91.4 cm) cabinet opening width\*
- C. 24" (61.0 cm) min. from electric cooking surface, 27" (68.6 cm) min. from gas cooking surface, 36" (91.4 cm) suggested max. bottom of cabinet to cooking surface
- D. 12" (30.48 cm) cabinet opening depth\*
- E. 15" (38.1 cm) min. clearance upper cabinet to countertop
- F. 36" (91.4 cm) base cabinet height

**\*NOTE:** 30" (76.2 cm) cabinet width can be 12" (30.5 cm) deep or 18" (45.7 cm) deep cabinets. 36" (91.4 cm) cabinet width requires 18" (45.7 cm) deep cabinets. For 18" (45.7 cm) deep cabinets, an optional Face Panel Rear Extension (30" [76.2 cm]) must be purchased separately. See the "Available accessories" section to order.

## Venting requirements

- Vent system must terminate to the outdoors, except for no vented (recirculating) installations.
- Do not terminate the vent system in an attic or other enclosed area.
- Do not use a 4" (10.2 cm) laundry-type wall cap.
- Rigid metal vent is recommended. Plastic or metal foil vent is not recommended. The length of vent system and number of elbows should be kept to a minimum to provide efficient performance.

### For the most efficient and quiet operation:

- Use no more than three 90° elbows.
- Make sure there is a minimum of 24" (61 cm) of straight vent between the elbows if more than 1 elbow is used.
- Do not install 2 elbows together.
- Use clamps to seal all joints in the vent system.
- The vent system must have a damper.
- Use caulking to seal exterior wall or roof opening around the cap.
- The size of the vent should be uniform.

### Cold weather installations

An additional back draft damper non return valve should be installed to minimize backward cold air flow and a thermal break should be installed to minimize conduction of outside temperatures as part of the vent system. The damper non return valve should be on the cold air side of the thermal break.

The break should be as close as possible to where the vent system enters the heated portion of the house.

### Makeup air

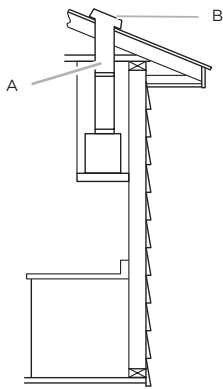
Local building codes may require the use of makeup air systems when using ventilation systems with greater than specified CFM of air movement. The specified CFM varies from locale to locale. Consult your HVAC professional for specific requirements in your area.

### Venting methods

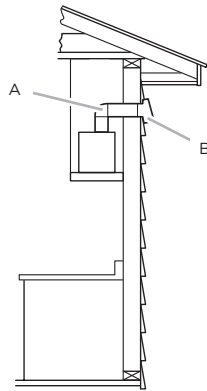
This range hood is factory set for venting through the roof or through the wall. You can apply the recirculating venting method by purchasing the Recirculation Kit. The vent system needed for installation is not included.

A 6" (15.2 cm) round vent system is recommended.

### Roof venting      Wall venting



- A. 6" (15.2 cm) vent through the roof
- B. Roof cap



- A. 6" (15.2 cm) vent through the wall
- B. Wall cap

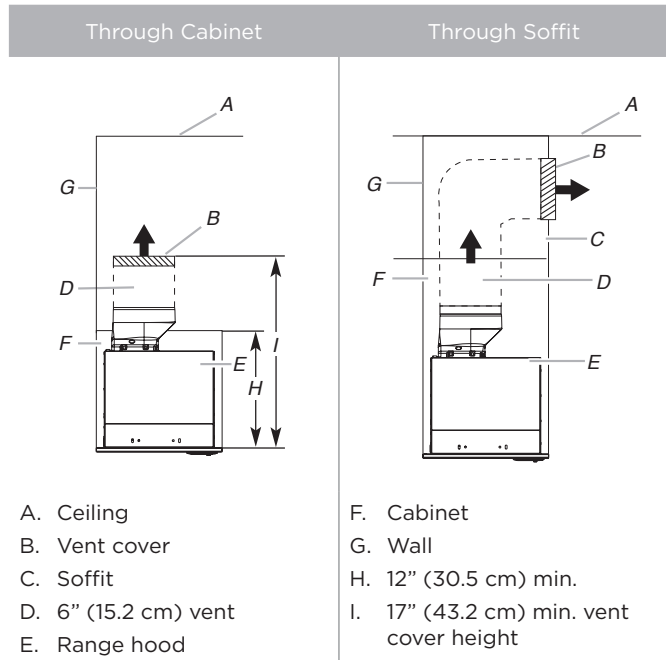
### Calculate Vent System Length

The recommended vent system is 6" (15.2 cm) round vent with a maximum length of 35 ft (10.7 m). For the best performance, use no more than three 90° elbows. To calculate the length of the system, add the equivalent feet (meters) for each of the vent pieces used in the system.

Vent piece	6" (15.2 cm)	
45° elbow	2.5 ft (0.8 m)	
90° elbow	5.0 ft (1.5 m)	

### Non-Vented (recirculating) Installations Through the Soffit/Cabinet

If it is not possible to vent cooking fumes and vapors to the outside, the range hood can be used in the non-vented (recirculating) version, using a charcoal filter. Recirculation Kit is available from the dealer or an authorized parts distributor.



- A. Ceiling
- B. Vent cover
- C. Soffit
- D. 6" (15.2 cm) vent
- E. Range hood
- F. Cabinet
- G. Wall
- H. 12" (30.5 cm) min.
- I. 17" (43.2 cm) min. vent cover height

**\*NOTE:** 12" (30.5 cm) high cabinets without soffit may allow the 6" (15.2 cm) vent and vent cover to be seen.

### Electrical requirements

#### ⚠ WARNING

PLUG INTO A GROUNDED 3 PRONG OUTLET.  
DO NOT REMOVE GROUND PRONG.  
DO NOT USE AN ADAPTER.  
DO NOT USE AN EXTENSION CORD.  
FAILURE TO FOLLOW THESE INSTRUCTIONS CAN RESULT IN DEATH, FIRE, OR ELECTRICAL SHOCK.

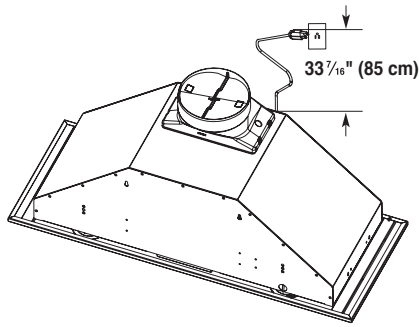
**IMPORTANT:** The range hood must be electrically grounded in accordance with local codes and ordinances, or in the absence of local codes, with the National Electrical Code, ANSI/NFPA 70 (latest edition) or Canadian Electrical Code, CSA C22.1 No. 0-M91 (latest edition).

If codes permit and a separate ground wire is used, it is recommended that a qualified electrical installer determine that the ground path is adequate. A copy of the above code standards can be obtained from:

National Fire Protection Association  
1 Batterymarch Park  
Quincy, MA 02169-7471  
CSA International  
8501 East Pleasant Valley Road  
Cleveland, Ohio 44131-5575

- A 120 volt, 60 Hz, AC only, 15- or 20-amp, fused electrical circuit is required. A time-delay fuse or circuit breaker is also recommended. It is recommended that a separate circuit serving only this range hood be provided.
- This range hood is equipped with a power supply cord having a 3 prong grounding plug.
- To minimize possible shock hazard, the cord must be plugged into a mating, 3 prong, grounding-type outlet, grounded in accordance with local codes and ordinances. If a mating outlet is not available, it is the personal responsibility and obligation of the customer to have the properly grounded outlet installed by a qualified electrician.

- The grounded 3 prong outlet is to be located inside the cabinet above the range hood at a maximum distance of 33<sup>7</sup>/<sub>16</sub>" (85.0 cm) from where the power cord exits the hood. The grounded 3 prong outlet must be accessible after installation of the range hood. See illustration:



#### GROUNDING INSTRUCTIONS

- This range hood must be grounded. In the event of an electrical short circuit, grounding reduces the risk of electric shock by providing an escape wire for the electric current.
- This range hood is equipped with a cord having a grounding wire with a grounding plug. The plug must be plugged into an outlet that is properly installed and grounded.

**WARNING:** Improper grounding can result in a risk of electric shock.

Consult a qualified electrician if the grounding instructions are not completely understood, or if doubt exists as to whether the range hood is properly grounded.

Do not use an extension cord. If the power supply cord is too short, have a qualified electrician install an outlet near the range hood.

#### SAVE THESE INSTRUCTIONS

## Installation instructions

#### Prepare location

- It is recommended that the vent system be installed before the range hood is installed.
- Before making cutouts, make sure there is proper clearance within the ceiling or wall for vent fittings.
- Making the cutout to the bottom of the cabinet may be easier to do prior to mounting the cabinet to the wall.

- 1 Disconnect power.
- 2 Determine which venting method to use: roof, wall, or non vented.
- 3 Select a flat surface for assembling the range hood. Place covering over that surface.

#### ⚠ WARNING

EXCESSIVE WEIGHT HAZARD  
USE TWO OR MORE PEOPLE TO MOVE AND INSTALL RANGE HOOD.

FAILURE TO DO SO CAN RESULT IN BACK OR OTHER INJURY.

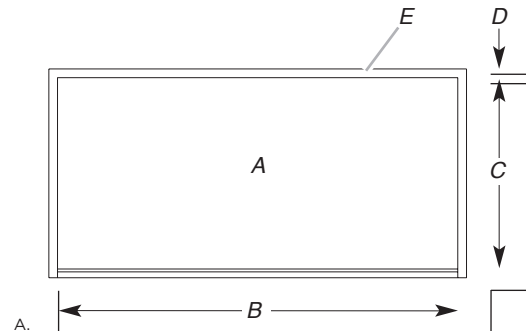
- 4 Using 2 or more people, lift range hood onto covered surface.

#### Range hood cabinet cutout

- 1 Use a saber saw or keyhole saw to cut out the cabinet bottom inside the cabinet frame.

**\*NOTE:** Frameless type cabinets require 3/4" (1.9 cm) front lip in the cabinet bottom. A 3/4" (1.9 cm) thick filler strip (not supplied) may be required for some types of cabinets. (See Step 3 in the "Install Range Hood" section).

#### Cut out dimensions (without spacers)

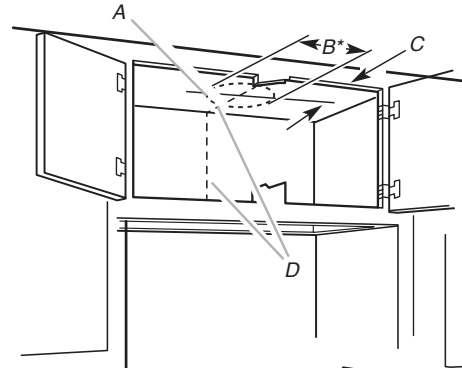


- A. Bottom of cabinet cutout
- B. Bottom must be cut flush to the inside walls of the cabinet.
- C. 107/8" (27.6 cm) min. from the inside of the cabinet front face.
- D. 3/4" (19 mm) thick front face required for cabinet bottom.
- E. Front of cabinet

- 2 Complete cabinet preparation following the instruction for your type of venting. Determine venting cutout locations and cut out vent openings in the cabinets, walls and or soffit.

#### Venting outside through the roof

- 1 Measure and mark the lines as shown. Use a saber saw or keyhole saw to cut an opening through the top of the cabinet and the roof for the vent.

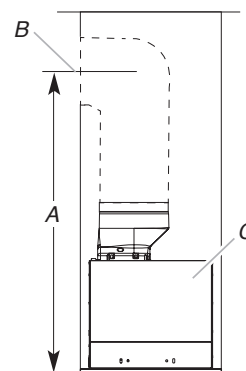


- A. Cutout
- B. 6 1/4" (15.9 cm)\*
- C. 7 1/4" (19.7 cm) centerline to cabinet front
- D. Centerline of the cabinet

**\*NOTE:** For 12" (30.5 cm) high cabinets, a 6 1/4" deep x 8" wide (14.6 cm x 20.3 cm) rectangular opening in the cabinet top is required for damper transition clearance.

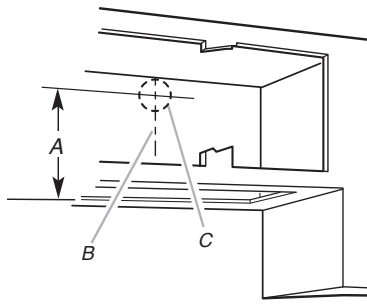
#### Venting outside through the wall

- 1 Install the 6" (15.2 cm) vent transition to the top of the range hood liner using two 3.5 x 9.5 mm screws. Assemble the vent duct that you will use over the 6" (15.2 cm) vent transition. Measure from the bottom of the range hood liner to the horizontal centerline of the vent opening (A).



- A. Measurement A
- B. Horizontal centerline of vent opening
- C. Range hood liner

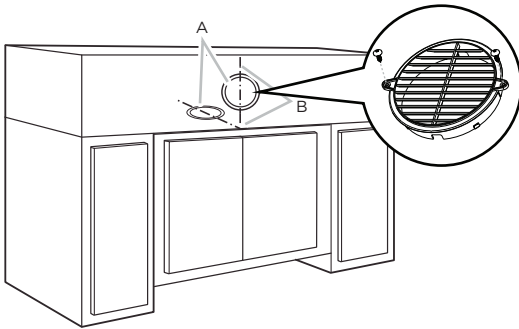
- Remove the vent duct from the range hood liner. Transfer measurement A to the cabinet back wall. Measure from the underside of the cabinet.
- Mark the cutout as shown. Use a saber saw or keyhole saw to cut a round opening through the back of the cabinet and the exterior wall for the vent.



- A. Measurement A
- B. Centerline
- C. 6 1/4" (15.9 cm) round cutout

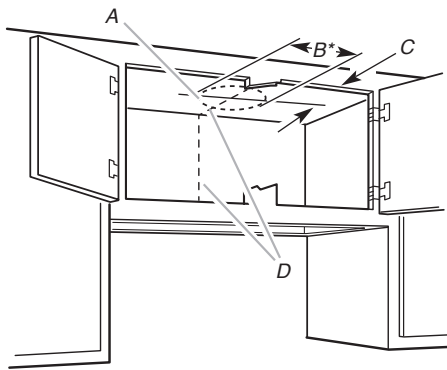
**Non-vented (recirculating) installation through the soffit/cabinet**

- Measure and mark the centerline of the cabinet to the soffit above.
- Measure from the bottom of the cabinet to the centerline of the where the vent will come through the soffit. Mark the location and use a saber saw or keyhole saw to cut a 5 3/4" (14.6 cm) hole for the vent cover.



- A. Vent cover
- B. Centerline

- Measure and mark the centerline location for the cutout in the cabinet top. Use a saber saw or keyhole saw to cut an opening for the vent.

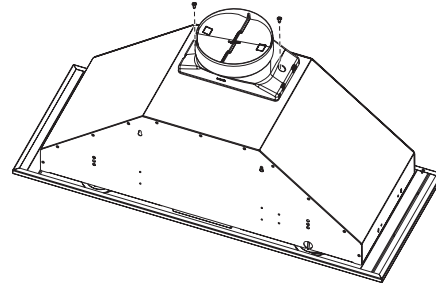


- A. Cutout
- B. \*See chart below.
- C. 7 3/4" (19.7 cm) centerline to cabinet front
- D. Centerline

For non-vented (recirculating) installations only, the range hood can be vented indoors through the top of the cabinet. See the "Available Accessories" section for Recirculation Kit.

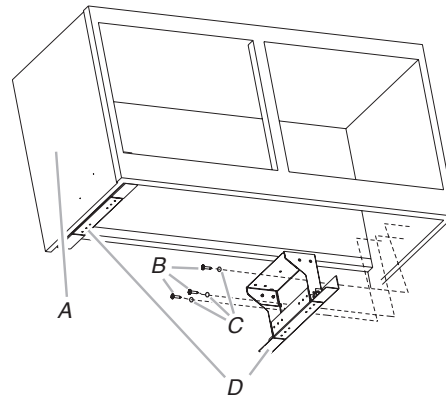
**Complete preparation**

- If not yet attached, install the 6" (15.2 cm) vent transition the top of the range hood liner using two 3.5 x 9.5 mm screws.



- Locate side mounting bracket flush 1 cm to the bottom of the cabinet side and against the inside of the front cabinet face. Drill 1/8" (3 mm) pilot holes in 6 places, attach a bracket using three 4.5 x 13 mm screws to each side of the cabinet, and tighten. Additional washers in hardware package are supplied as spacers for cabinet walls thinner than 1/2" (13 mm).

**Bracket Orientation**



- A. 30" (76.2 cm) or 36" (91.4 cm) cabinet
- B. Screws - 4.5 x 13 mm (6)
- C. Washers (optional)
- D. Mounting bracket (2) (position for 30" [76.2 cm] or 36" [91.4 cm] cabinet)

- Install the vent system according to the method needed. Use caulking to seal the exterior wall or roof opening.

Cabinet Height	Hole Shape and Size
12" (30.5 cm)	A 6 1/4" deep x 8" wide (15.9 cm x 20.3 cm) rectangular opening in the cabinet top is required for damper transition clearance.
15" (38.1 cm) cabinet or soffit installation	A 6 1/4" (15.9 cm) diameter round opening is required
18" (45.7 cm) or 24" (61.0)	A 5 3/4" (14.6 cm) diameter round opening is required.

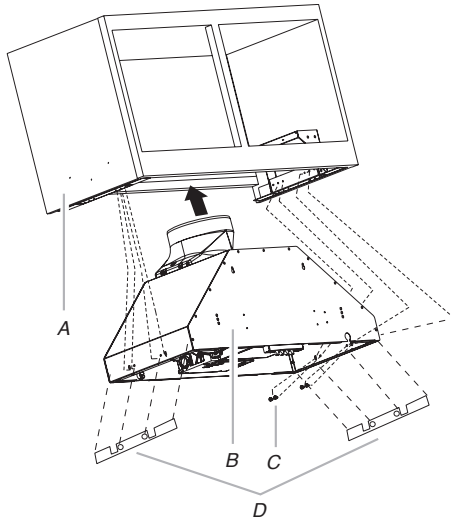


# Install range hood

## ⚠ WARNING

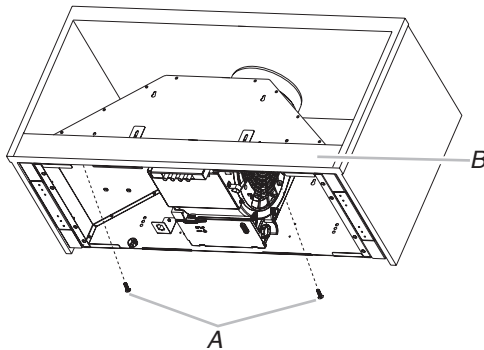
EXCESSIVE WEIGHT HAZARD.  
USE TWO OR MORE PEOPLE TO MOVE AND INSTALL RANGE HOOD. FAILURE TO DO SO CAN RESULT IN BACK OR OTHER INJURY.

- Using 2 or more people, lift the hood liner into its mount location. Attach with four 4.2 x 19 mm screws into the slotted openings. Do not tighten screws.



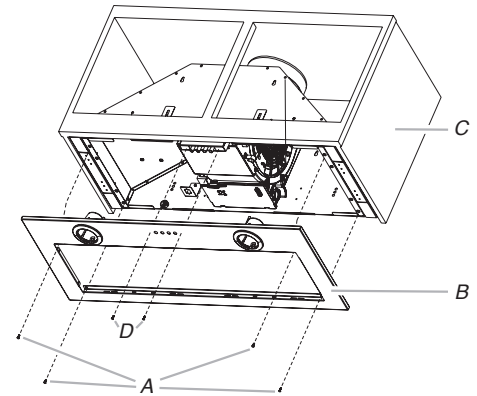
A. Cabinet  
B. Hood liner canopy assembly  
C. Screws - 4.2 x 19 mm (8)  
D. Spacer (optional)

- If needed, insert spacers between each side of the canopy and the mounting plate to space and center the canopy in the cabinet. Align the bottom of the canopy with the bottom of the cabinet. Install four 4.2 x 19 mm screws into the round mounting plate openings and tighten all eight mounting screws.
- (For some installations):** A filler strip may be required for some cabinets. Install a filler strip and secure with two 4.5 x 13 mm screws from inside the front of the hood liner assembly.



A. Screws: 4.5 x 13 mm  
B. Filler strip

- Remove the metal grease filters from the face panel.
- Attach the face panel to the hood liner. (Three sizes: The 30" x 12" [76.2 cm x 30.5 cm] cabinet size is shown.) See instruction below for your specific cabinet size.



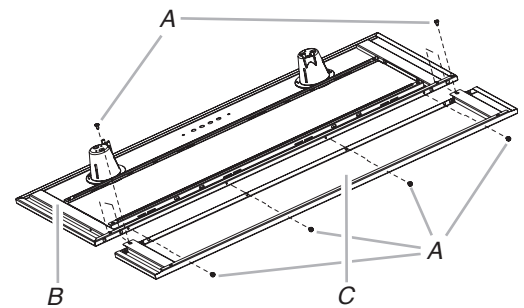
A. Screws: 3.5 x 9.5 mm flat-head (4)  
B. Face plate (30" x 12" [76.2 cm x 30.5 cm] shown)  
C. Cabinet (30" x 12" [76.2 cm x 30.5 cm] shown)  
D. Screws: 4.2 x 15 mm truss-head (2)

### For cabinet size: 30" x 12" (76.2 cm x 30.5 cm)

- Attach the 30" x 12" (76.2 cm x 30.5 cm) face panel (supplied with range hood) to the hood liner using four 3.5 x 9.5 mm flat-head screws and two 4.2 x 15 mm truss head screws. Tighten to secure.
- Connect the lamp electrical connector.

### For cabinet size: 30" x 18" (76.2 cm x 45.7 cm)

- Assemble the 30" x 6" (76.2 cm x 15.2 cm) face panel rear extension (see the "Assistance or Service" section to order) to the 30" x 12" (76.2 cm x 30.5 cm) face panel (supplied with the range hood) using eight 4.2 x 8 mm screws (supplied with the face panel rear extension).
- Attach the 30" x 18" (76.2 cm x 45.7 cm) face panel assembly to the hood liner using four 3.5 x 9.5 mm flat-head screws and two 4.2 x 15 mm truss head screws. Tighten to secure.
- Connect the lamp electrical connector.



A. Screws: 4.2 x 8 mm (8)  
B. Face panel  
C. Face panel rear extension

## Connect the vent system

### Vented Installations

- 1 Connect the vent system to the range hood vent opening. Seal the connection with clamps.

### Non-Vented (recirculating) Installations

- 1 Connect the vent system to the range hood vent opening. Seal the connection with clamps.
- 2 Install charcoal filters. See the "Available accessories" section for Recirculation kit.

## Complete installation

- 1 Replace grease filters. See the "Maintenance" section.

**⚠ WARNING**  
ELECTRICAL SHOCK HAZARD

**⚠ WARNING**  
PLUG INTO A GROUNDED 3 PRONG OUTLET.  
DO NOT REMOVE GROUND PRONG.  
DO NOT USE AN ADAPTER.  
DO NOT USE AN EXTENSION CORD.  
FAILURE TO FOLLOW THESE INSTRUCTIONS CAN RESULT IN DEATH, FIRE, OR ELECTRICAL SHOCK.

- 2 Plug 3-prong power cord into a grounded 3-prong outlet located inside the cabinet above the range hood.
- 3 Check the operation of the range hood fan and light. See "Description of the hood" section. If range hood does not operate, check to see whether a circuit breaker has tripped or a household fuse has blown. Disconnect power and check wiring connections.

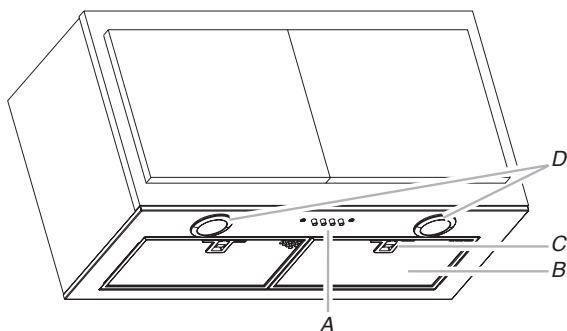
**NOTE:** To get the most efficient use from your new range hood, read the "Description of the hood" section.

- 4 Install the cabinet doors to the cabinet. Use the assembly instructions that come with the cabinet.

## Description of the hood

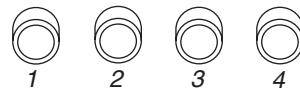
The range hood is designed to remove smoke, cooking vapors and odors from the cooktop area. For best results, start the hood before cooking and allow it to operate several minutes after the cooking is complete to clear all smoke and odors from the kitchen.

The hood controls are located on the center of the front of the range hood liner.



- A. Blower and light controls
- B. Grease filter
- C. Grease filter handle
- D. LED lamps

## Controls



1. Light On/Off button
2. Blower On/Off button and speed minimum button
3. Blower speed medium button
4. Blower speed maximum button

### Operating the light

The Light On/Off button (1) controls both lights. Press once for On and again for Off.

### Operating the blower

The Blower Speed buttons turn the blower on and control the blower speed and sound level for quiet operation. The speed can be changed anytime during fan operation by pressing the desired blower speed button.

Press the Blower Off button a second time to turn off the blower.

## Maintenance

### Cleaning

Do not spray cleaners directly to the control while cleaning the Hood. The cooker hood should be cleaned regularly (at least with the same frequency with which you carry out maintenance of the fat filters) internally and externally. Do not use abrasive products. Do not use chlorine base cleaners. **DO NOT USE ALCOHOL!**

To avoid damage to the exterior surface, do not use steel wool or soap-filled scouring pads. Always wipe dry to avoid water marks.

### Cleaning Method:

Liquid detergent soap and water, or all-purpose cleanser. Wipe with damp soft cloth or nonabrasive sponge, then rinse with clean water and wipe dry.

### ⚠ WARNING

Failure to carry out the basic cleaning recommendations of the cooker hood and replacement of the filters may cause fire risks.

Therefore, we recommend observing these instructions.

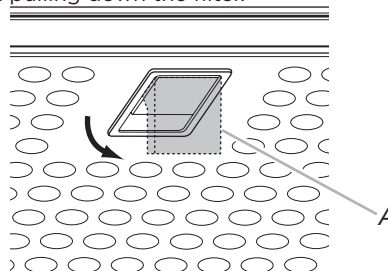
The manufacturer declines all responsibility for any damage to the motor or any fire damage linked to inappropriate maintenance or failure to observe the above safety recommendations.

### Metal grease filter

The filters should be washed frequently. Place metal filters in dishwasher or hot detergent solution to clean. Let filter dry thoroughly before replacing it.

Turn off fan and lights. Allow lamps to cool.

- 1 Remove each filter by pulling the spring release handle (A) and then pulling down the filter.



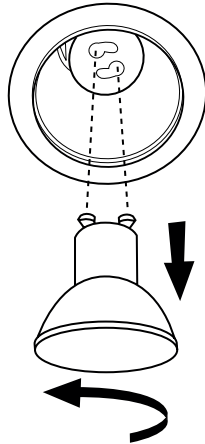
- 2 Wash metal filters as needed in dishwasher or hot detergent solution.
- 3 Reinstall the filter by making sure the spring release handles are toward the front. Insert metal grease filter into upper track.
- 4 Pull the spring release handle down.
- 5 Push up on metal filter and release handle to latch into place.
- 6 Repeat steps 1-5 for the other filter.

### Replacing a LED lamp

Turn off the range hood and allow the LED lamp to cool. To avoid damage or decreasing the life of the new bulb, do not touch bulb with bare fingers. Replace bulb using tissue or wearing cotton gloves to handle bulb.

If new lamps do not operate, make sure the lamps are inserted correctly before calling service.

- 1 Disconnect power.
- 2 Push up on the lens and turn it counterclockwise.



- 3 Remove the bulb and replace it with a 120-volt, 6.5-watt maximum LED bulb with a GU10 base. Turn it clockwise to lock it into place.
- 4 Repeat steps 2-3 for the other bulb if needed.
- 5 Reconnect power.

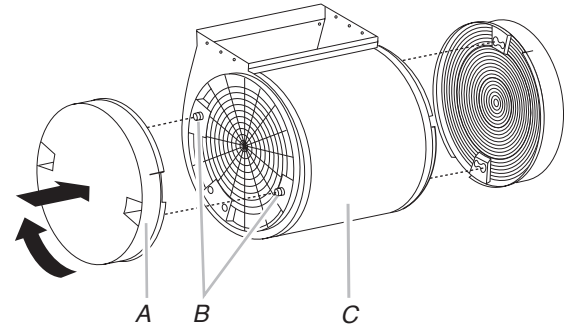
## Available accessories

### Recirculation kit - KITO2770

(for non-vented installations only)

The charcoal filters cannot be cleaned. It should be replaced every 4-6 months (depending on hood usage).

- 1 Cover the grill that protects the suction motor with the carbon filter so that the slots on the filter correspond to the pins on the sides of the motor protection grill.



- A. Charcoal filter
- B. Pins
- C. Blower motor

- 2 Remove the cable ties in the carbon filter and turn the carbon filter clockwise to block them (bayonet fixing).

### Face Panel Rear Extension - KITO2773

(for 30" x 18" [76.2 cm x 45.7 cm] cabinet)

# ELICA North America

## TWO-YEAR LIMITED WARRANTY

Register your product in

**elica.com**

and earn a 3<sup>rd</sup> year of factory warranty, covering all parts plus in-home labor.

### TO OBTAIN SERVICE UNDER WARRANTY

Owner must present proof of original purchase date. Please keep a copy of your dated proof of purchase (sales slip) in order to obtain service under warranty.

### PARTS AND SERVICE WARRANTY

For the period of two (2) years from the date of the original purchase, Elica will provide free of charge, non consumable parts or components that failed due to manufacturing defects. During these two (2) years limited warranty, Elica will also provide free of charge, all labor and in-home service to replace any defective parts.

### WHAT IS NOT COVERED

- Damage or failure to the product caused by accident or act of God, such as, flood, fire or earthquake.
- Damage or failure caused by modification of the product or use of non-genuine parts.
- Damage or failure to the product caused during delivery, handling or installation.
- Damage or failure to the product caused by operator abuse.
- Damage or failure to the product caused by dwelling fuse replacement or resetting of circuit breakers.
- Damage or failure caused by use of product in a commercial application.
- Service trips to dwelling to provide use or installation guidance.
- Light bulbs, metal or carbon filters and any other consumable part.
- Normal wear of finish.
- Wear to finish due to operator abuse, improper maintenance, use of corrosive or abrasive cleaning products/pads and oven cleaner products.

### WHO IS COVERED

This warranty is extended to the original purchaser for products purchased for ordinary residential use in North America (Including the United States, Guam, Puerto Rico, US Virgin Islands & Canada).

This warranty is non-transferable and applies only to the original purchaser and does not extend to subsequent owners of the product. This warranty is made expressly in lieu of all other warranties, expressed or implied, including, but not limited to any implied warranty of merchantability or fitness for a particular purpose and all other obligations on the part of Elica North America, provided, however, that if the disclaimer of implied warranties is ineffective under applicable law, the duration of any implied warranty arising by operation of law shall be limited to two (2) years from the date of original purchase at retail or such longer period as may be required by applicable law.

This warranty does not cover any special, incidental and/or consequential damages, nor loss of profits, suffered by the original purchaser, its customers and/or the users of the Products.

### WHO TO CONTACT

To obtain service under warranty or for any service related question:

- Elica North America Service, call at 1 888 732 8018
- For Eastern Canada, call AGI Services at 1 888 651 2534 Ask for the service department
- [elica@servicepower.com](mailto:elica@servicepower.com)

**Table des matières**

Avis de sécurité important .....	14
Liste des pièces .....	15
Pièces fournies .....	15
Pièces non fournies .....	15
Exigences d'emplacement .....	16
Exigences concernant l'évacuation .....	16
Spécifications électriques .....	17
Instrucrions d'installation .....	18
Installation de la hotte .....	20
Raccordement du circuit d'évacuation .....	21
Achever l'installation .....	21
Description de la hotte .....	21
Commandes .....	21
Entretien .....	22
Garantie .....	23

**APPROUVÉ POUR LES APPAREILS DE TYPE RÉSIDENTIEL  
POUR UNE UTILISATION RÉSIDENTIELLE SEULEMENT  
LISEZ CES INSTRUCTIONS ET CONSERVEZ-LES**

**VEUILLEZ LIRE CES INSTRUCTIONS AU COMPLET AVANT DE COMMENCER.  
L'INSTALLATION DE L'APPAREIL DOIT RESPECTER TOUS LES CODES EN VIGUEUR.**

**IMPORTANT :** Conservez ces instructions afin de pouvoir les remettre à l'inspecteur-électricien de votre région.

**INSTALLATEUR :** Veuillez laisser ces instructions avec l'appareil pour le propriétaire.

**PROPRIÉTAIRE :** Veuillez conserver ces instructions pour pouvoir vous y référer plus tard.

**Avertissement de sécurité :** Coupez l'alimentation du circuit dans le panneau électrique et verrouillez le panneau avant de raccorder les fils de cet appareil.

**Exigence :** 120 V c.a., 60 Hz circuit de dérivation de 15 V c.a., 20 Hz, de 15 ou 20 A.

## ⚠️ AVIS DE SÉCURITÉ IMPORTANT

- A. N'utilisez aucun ventilateur dont le cordon ou la fiche est endommagé. Jeter le ventilateur ou retourner à un centre de service autorisé pour examen et / ou réparation.
- B. Ne faites pas passer le cordon sous la moquette. Ne couvrez pas le cordon avec des tapis, des glissières ou des revêtements similaires. Ne faites pas passer le cordon sous des meubles ou des appareils électroménagers. Éloignez le cordon de la zone de circulation et où il ne risque pas de trébucher.

### ⚠️ ATTENTION

UTILISER CET APPAREIL À DES FINS DE VENTILATION GÉNÉRALE SEULEMENT. NE PAS UTILISER CET APPAREIL POUR ÉVACUER DES MATÉRIAUX OU DES VAPEURS DANGEREUX OU EXPLOSIFS.

### ⚠️ AVERTISSEMENT

POUR RÉDUIRE LES RISQUES D'INCENDIE, DE CHOC ÉLECTRIQUE ET DE BLESSURE, RESPECTER LES DIRECTIVES SUIVANTES:

- A. Utiliser cet appareil uniquement aux fins prévues par le fabricant. Si vous avez des questions à propos de l'appareil, communiquez avec le fabricant.
- B. Avant de faire l'entretien de l'appareil ou de le nettoyer, coupez l'alimentation dans le panneau électrique et verrouillez le panneau en bloquant le dispositif permettant d'empêcher d'activer l'alimentation accidentellement. S'il n'est pas possible de verrouiller l'accès au panneau, fixez une étiquette très voyante au panneau électrique.
- C. Une personne qualifiée doit effectuer l'installation et le câblage des fils électriques en conformité avec tous les codes et toutes les normes, y compris la cote de résistance au feu.
- D. Il est important de prévoir suffisamment d'air pour assurer une bonne combustion de l'équipement de chauffe et l'évacuation adéquates des gaz par le conduit de cheminée afin de prévenir les refoulements d'air. Respectez les directives et les normes de sécurité des fabricants de l'équipement de chauffage, comme celles publiées par la National Fire Protection Association (NFPA), la American Society for Heating, Refrigeration and Air Conditioning Engineers (ASHRAE) et le code des autorités de votre région.
- E. Au moment de couper ou de percer un mur ou un plafond, assurez-vous de ne pas endommager la filerie électrique ou tout autre accès à un service publique.
- F. Il faut toujours évacuer à l'extérieur les systèmes conduit.

### ⚠️ ATTENTION

Pour réduire les risques d'incendie et évacuer l'air correctement, assurez-vous que le conduit mène à l'extérieur; il ne faut pas évacuer l'air dans l'espace entre les murs, dans les plafonds, dans les greniers, les vides sanitaires ou les garages.

### ⚠️ AVERTISSEMENT

POUR RÉDUIRE DES RISQUES D'INCENDIE, UTILISEZ UNIQUEMENT DES CONDUITS EN MÉTAL.

### ⚠️ ATTENTION

Dispositif à fonctionnement automatique - pour réduire le risque de Blessure Déconnecter de l'alimentation avant l'entretien.

### ⚠️ AVERTISSEMENT

Pour réduire les risques d'incendie et de choc électrique, n'utilisez pas cette hotte avec un contrôleur de vitesse à semi-conducteurs.

Installez cette hotte en respectant toutes les exigences mentionnées.

### ⚠️ ATTENTION

Dispositif à commande automatique - pour réduire le risque de Blessure Débrancher de l'alimentation électrique avant la maintenance.

### ⚠️ AVERTISSEMENT

POUR RÉDUIRE LES RISQUES D'INCENDIE DE GRAISSE SUR LES CUISINIÈRES.

- a) Ne laissez jamais la cuisinière sans surveillance lorsqu'elle est réglée à une haute température. Les débordements par bouillonnement causent de la fumée et des débordements de gras qui peuvent s'enflammer. Faites chauffer l'huile lentement, à une température basse ou moyenne.
- b) Faites toujours fonctionner la hotte lorsque vous utilisez la cuisinière à une haute température ou que vous faites flamber des aliments (P. ex. : crêpes Suzette, cerises jubilé, boeuf au poivre flambé).
- c) Nettoyez les hélices de ventilation fréquemment. Il ne faut pas que la graisse s'accumule sur les filtres ou les hélices.
- d) Utilisez le bon format de casserole. Utilisez toujours un chaudron de taille approprié à l'élément de la cuisinière.

### ⚠️ AVERTISSEMENT

POUR ÉVITER DE BLESSER QUELQU'UN LORS D'UN INCENDIE DE GRAISSE SUR LA CUISINIÈRE, SUIVRE LES CONSEILS SUIVANTS:<sup>a</sup>

- a) ÉTOUFFER LES FLAMMES avec un couvercle aux dimensions de la taque de cuisson, une tôle à biscuit ou tout autre plateau métallique, puis couper le gaz ou l'alimentation électrique de la cuisinière. FAIRE ATTENTION A NE PAS SE BRÛLER. Si les flammes ne s'éteignent pas immédiatement, QUITTER LA PIÈCE ET APPELER LES POMPIERS.
- b) NE JAMAIS PRENDRE EN MAIN UNE CASSEROLE EN FEU, vous pourriez vous blesser.
- c) NE PAS UTILISER D'EAU, y compris les essuies de vaisselle ou les serviettes humides - une violente explosion due à la vapeur formée pourrait survenir.
- d) Utiliser un extincteur SEULEMENT si:
  - 1) Vous êtes sûr d'avoir un extincteur de classe ABC que vous savez utiliser.
  - 2) Le feu est petit et confiné à la zone où il s'est formé.
  - 3) Les pompiers ont été appelés.
  - 4) Vous pouvez lutter contre le feu avec une sortie derrière vous.

a Recommandations tirées des conseils de sécurité en cas d'incendie de cuisine publiés par la NFPA.

## MODE OPÉRATOIRE

Toujours laisser les grilles de sécurité et les filtres à leur place. Sans la présence de ces derniers, les parties aspirantes pourraient attirer les cheveux, les doigts ou les vêtements.

Le fabricant décline toute responsabilité si les informations détaillées dans ce manuel pour l'installation, l'entretien et l'utilisation adéquate du produit ne sont pas observées. Le fabricant décline en outre toute responsabilité pour d'éventuelles blessures dues à des négligences; en outre, la garantie de l'appareil sera annulée suite à des conditions d'entretien inappropriées. Cet appareil est fabriqué pour un usage interne. Ne pas utiliser cet appareil à l'extérieur.

## LISTE DES PIÈCES

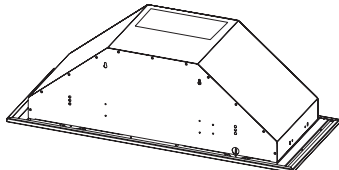
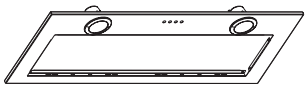





Retirer les pièces de leur emballage.

### ⚠ ATTENTION

Enlever délicatement le carton, porter des gants pour se protéger des bords coupants.

### ⚠ AVERTISSEMENT

Enlever le film de protection recouvrant le produit avant de commencer l'opération.

Pièces Fournies	Quantité
 Assemblage hotte avec soufflerie et lampes DEL	1
 Panneau de surface de 30" x 12" (76,2 x 30,5 cm)	1
 4.5x13 mm	10
 4.2x15 mm	2
 3.5x9.5 mm	4
 4.2x19 mm	8
 3.5x9.5 mm	2

### Pièces non Fournies

#### Outils nécessaires

- Niveau
- Perceuse
- Foret de 1/8" (3 mm)
- Crayon
- Pince
- Mètre-ruban ou règle
- Pistolet à calfeutrage et composé de calfeutrage résistant aux intempéries
- Tournevis Phillips
- Tournevis à lame plate
- Scie sauteuse ou scie à guichet
- Brides de conduit
- Cisaille de ferblantier

#### Pièces nécessaires

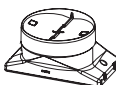

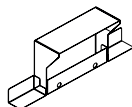

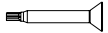


- Système de conduit d'évacuation métallique rond de 6" (15,2 cm)

#### Pour les installations ventilées, vous aurez besoin

- 1 capuchon mural ou de toit

#### Pour les installations non ventilées (à recirculation), vous aurez également besoin de:

- Kit de recirculation. Voir la section "Accessoires".

Pièces Fournies	Quantité
 Damper	1
 Filtres à graisse métallique	2
 Brides de montage	2
 Cales d'espacement	6
 Adaptateur T10 TORX*	1
 rondelles en plastique	8
 rondelles métalliques	8

#### Exigences d'emplacement:

**IMPORTANT:** Observer les dispositions de tous les codes et règlements en vigueur.

Confier l'installation de la hotte à un technicien qualifié.

C'est à l'installateur qu'incombe la responsabilité de respecter les distances de séparation exigées, spécifiées sur la plaque signalétique de l'appareil. La plaque signalétique de l'appareil est située derrière le filtre, sur la paroi arrière gauche de la hotte.

Installer la hotte de cuisinière à distance de toute zone exposée à des courants d'air, comme fenêtres, portes et bouches de chauffage. Respecter les dimensions indiquées pour les ouvertures à découper dans les placards. Ces dimensions tiennent compte des valeurs minimales des dégagements de séparation.

Avant d'effectuer des découpages, consulter les instructions d'installation de la table de cuisson/cuisinière. On doit disposer d'une prise de courant électrique reliée à la terre. Voir la section "Spécifications électriques".

La hotte a été configurée à l'usine pour une installation avec e sans décharge à l'extérieur (recyclage), voir "Installation sans décharge à l'extérieur (recyclage) à travers le soffite/placard", à la section "Préparation de l'emplacement".

Ensemble de filtres à charbon est disponible chez votre marchand ou chez un distributeur de pièces autorisé. Assurer l'étanchéité au niveau de chaque ouverture découpée dans le plafond ou le mur pour l'installation de la hotte de cuisinière.

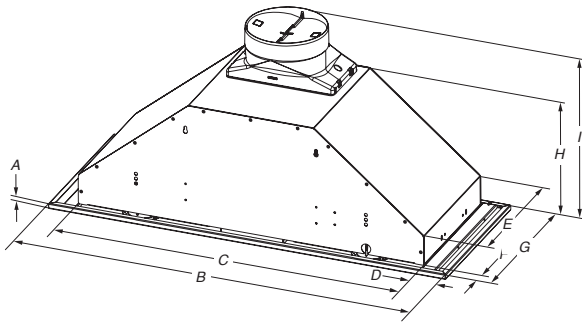
#### Installation dans une résidence mobile

L'installation de cette hotte doit satisfaire aux exigences de la norme Manufactured Home Construction Safety Standards, Titre 24 CFR, partie 328 (anciennement Federal Standard for Mobile Home Construction and Safety, titre 24, HUD, partie 280); lorsque cette norme n'est pas applicable, l'installation doit satisfaire aux critères de la plus récente édition de la norme Manufactured Home Installation 1982 (Manufactured Home Sites, Communities and Setups) ANSI A225.1/NFPA 501A, ou des codes locaux.

\*©TORX est une marque déposée de Saturn Fasteners, Inc.

# EXIGENCES D'EMPLACEMENT

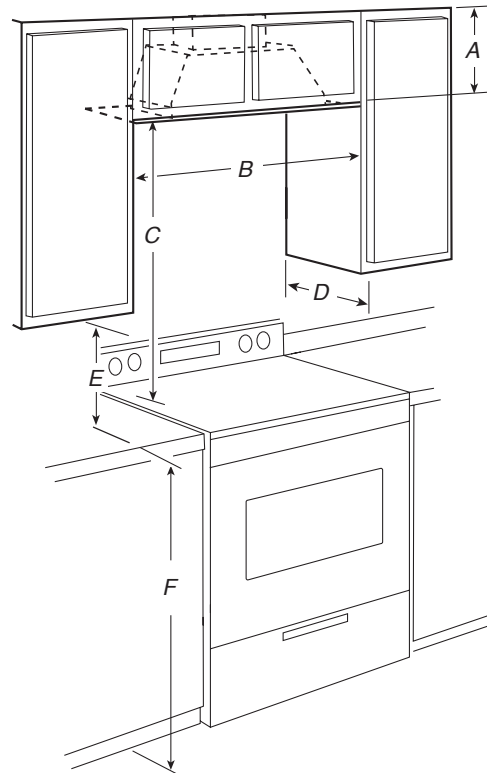
## Dimensions du produit



	Modèle
	<b>EAS430SS</b>
<b>A</b>	3/8" (10 mm)
<b>B</b>	30" (76.2 cm) or 36" (91.4 cm)
<b>C</b>	26" (66.1 cm)
<b>D</b>	2" (5.1 cm) or 5" (12.7 cm)
<b>E</b>	10 3/4" (27.4 cm)
<b>F</b>	3/4" (19 mm)
<b>G</b>	11 7/8" (30.2 cm) or 17 7/8" (45.4 cm)
<b>H</b>	9 1/8" (23.1 cm)
<b>I</b>	13 5/8" (33.7 cm)

Pour l'installation à partir de la surface de cuisson électrique et au gaz: Monter cette hotte de sorte que le bord inférieur est au minimum de 30" (76,2 cm) au-dessus de la surface de cuisson.

## Dégagements de séparation



- A. Hauteur minimale de placard de 12" (30,5 cm)
- B. Largeur de l'ouverture de placard 30" (76,2 cm) min.
- C. 30" (76,2 cm) min. à partir de la surface de cuisson électrique ou à gaz.
- D. Profondeur de placard de 12" (30,5 cm)
- E. Dégagement min. entre le haut du placard et le plan de travail de 15" (38,1 cm)
- F. Hauteur de placard sur plancher de 36" (91,4 cm)

**\*REMARQUE:** Des placards de 30" (76,2 cm) de largeur peuvent posséder une profondeur de 12" (30,5 cm) ou 18" (45,7 cm). Des placards de 36" (91,4 cm) de largeur nécessitent une profondeur de 18" (45,7 cm). Pour des placards de 18" (45,7 cm) de profondeur, il faudra acheter séparément une "Plaque d'extension arrière pour panneau avant" (de 30" [76,2 cm]). Voir la section "Assistance ou service" pour commander.

## Exigences Concernant l'évacuation

- Le circuit d'évacuation doit décharger l'air à l'extérieur, excepté pour les installations sans décharge à l'extérieur (recyclage).
- Ne pas terminer le circuit d'évacuation dans un grenier ou dans un autre espace clos.
- Ne pas utiliser une bouche de décharge murale de 4" (10,2 cm) normalement utilisée pour un équipement de buanderie.
- Utiliser un conduit métallique uniquement. Un conduit en métal rigide est recommandé. Ne pas utiliser de conduit de plastique ou en aluminium. La longueur du conduit de décharge et le nombre de coudes doivent être réduits au minimum pour fournir la meilleure performance.

### Pour un fonctionnement efficace et silencieux:

- Ne pas utiliser plus de trois coudes à 90°.
- Veiller à ce qu'il y ait une section droite de conduit d'un minimum de 24" (61 cm) entre les raccords coudés, si on doit en utiliser plus d'un.
- Ne pas installer 2 coudes successifs.
- Le circuit d'évacuation doit comporter un clapet anti-r flux.
- Au niveau de chaque jointure du circuit d'évacuation, assurer l'étanchéité avec les brides de serrage.
- À l'aide d'un produit de calfeutrage, assurer l'étanchéité autour de la bouche de décharge à l'extérieur (à travers le mur ou le toit).
- La taille du conduit doit être uniforme.



### Installations dans les régions au climat froid

On doit installer un clapet anti-retour valve supplémentaire à l'arrière pour minimiser le reflux d'air froid et incorporer un élément d'isolation thermique pour minimiser la conduction de chaleur par l'intermédiaire du conduit d'évacuation, de l'intérieur de la maison à l'extérieur. Le clapet anti-retour valve doit être placé du côté air froid de la résistance thermique. L'élément d'isolation thermique doit être aussi proche que possible de l'endroit où le circuit d'évacuation s'introduit dans la partie chauffée de la maison.

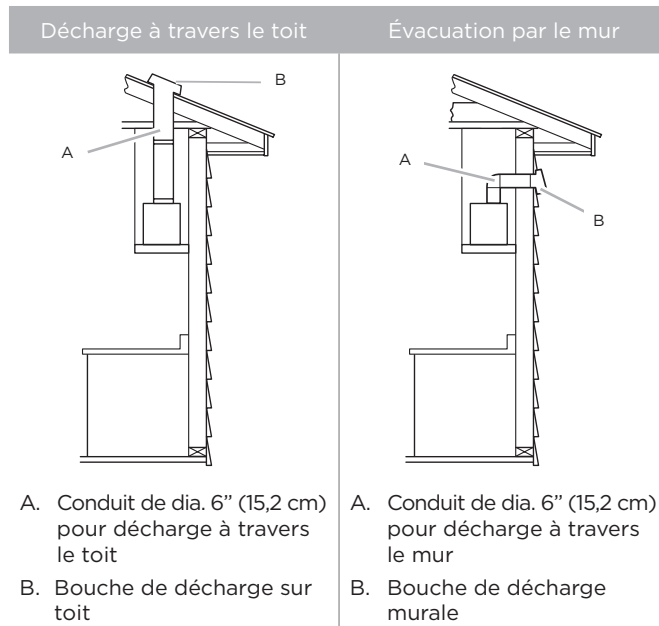
### Air d'appoint

Les codes du bâtiment locaux peuvent exiger l'emploi d'un système de renouvellement de l'air/introduction d'air d'appoint, lors de l'utilisation d'un système d'aspiration de débit supérieur à une valeur (pieds cubes par minute) spécifiée. Le débit spécifié en pieds cubes par minute varie d'une juridiction à l'autre. Consulter un professionnel des installations de chauffage ventilation/climatisation au sujet des exigences spécifiques applicables dans la juridiction locale.

### Méthodes d'évacuation



Cette hotte a été configurée à l'usine pour la décharge à travers le toit ou à travers le mur.

Le système de décharge requis pour l'installation n'est pas fourni. Un circuit d'évacuation avec conduit circulaire de 6" (15,2 cm) est recommandé.



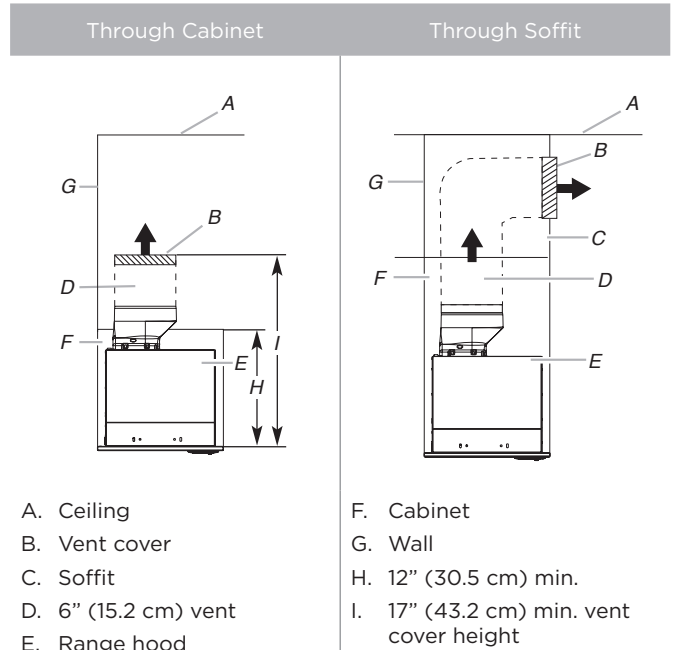
### Calcul de la longueur effective du circuit d'évacuation

Pour la réalisation du circuit d'évacuation, on recommande un conduit de 6" (15,2 cm) de diamètre avec une longueur maximale de 35 pi (10,7 m). Pour une performance optimale, ne pas utiliser plus de trois coudes à 90°. Pour calculer la longueur effective du circuit d'évacuation nécessaire, additionner les longueurs équivalentes (en pieds/ mètres) de tous les composants utilisés dans le circuit.

Composant	6" (15,2 cm)	
Coude à 45°	2,5 pi (0,8 m)	
Coude à 90°	5,0 pi (1,5 m)	

### Installation sans décharge à l'extérieur (recyclage) à travers le soffite/placard

S'il n'est pas possible d'évacuer les fumées et vapeurs de cuisson à l'extérieur, on peut employer la version sans décharge à l'extérieur (recyclage) de la hotte, dotée d'un filtre à charbon. Ensemble de litres à charbon, Voir la section "Assistance ou service" pour commander.



**REMARQUE :** Pour des placards de 12" (30,5 cm) de hauteur qui ne comportent pas de soffite, le conduit et le cache-conduit de 6" (15,2 cm) peuvent rester visibles.

### Spécifications électriques

#### ⚠ AVERTISSEMENT

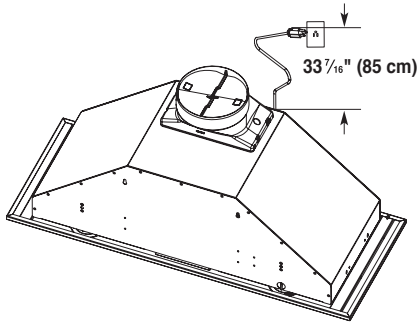
BRANCHER SUR UNE PRISE À 3 ALVÉOLES RELIÉE À LA TERRE. NE PAS ENLEVER LA BROCHE DE LIAISON À LA TERRE. NE PAS UTILISER UN ADAPTEUR. NE PAS UTILISER UN CÂBLE DE RALLONGE. LE NON-RESPECT DE CES INSTRUCTIONS PEUT CAUSER UN DÉCÈS, UN INCENDIE OU UN CHOC ÉLECTRIQUE.

**IMPORTANT:** La hotte doit être correctement reliée à la terre en conformité avec les codes et règlements locaux en vigueur, ou en l'absence de tels codes, avec le National Electrical Code, ANSI/ NFPA 70 (dernière édition) ou le Code canadien des installations électriques, CSA C22.1. No. 0-M91 (dernière édition). Si les codes le permettent et si on utilise un conducteur distinct de liaison à la terre, il est recommandé qu'un électricien qualifié vérifie la qualité de la liaison à la terre. Pour obtenir un exemplaire des normes des codes ci-dessus, contacter:

National Fire Protection Association  
 1 Batterymarch Park  
 Quincy, MA 02169-7471  
 CSA International  
 8501 East Pleasant Valley Road  
 Cleveland, Ohio 44131-5575

- Une alimentation de 120 volts, 60 Hz, CA seulement, de 15 ou 20 ampères, protégée par un fusible est requise. On recommande également d'utiliser un fusible ou un disjoncteur temporisé. Il est recommandé de raccorder la hotte sur un circuit distinct exclusif à cet appareil.
- Cette hotte est équipée d'un cordon d'alimentation électrique de liaison à la terre à trois broches.

- Pour minimiser les risques de choc électrique, on doit brancher le cordon sur une prise de courant de configuration correspondante, à 3 alvéoles, reliée à la terre et installée conformément aux codes et règlements locaux. Si une prise de courant de configuration correspondante n'est pas disponible, le client a la responsabilité et l'obligation de faire installer par un électricien qualifié une prise de courant correctement reliée à la terre.
- La prise à 3 broches reliée à la terre doit se trouver dans un placard situé au-dessus de la hotte, à une distance maximale de  $33\frac{7}{16}$ " (85,0 cm) à partir du point duquel le cordon d'alimentation sort de la hotte. La prise à 3 broches reliée à la terre doit être accessible une fois la hotte installée. Voir l'illustration:



#### INSTRUCTIONS DE MISE À LA TERRE

- Pour une hotte reliée à la terre et connectée par un cordon:
- Cette hotte doit être reliée à la terre. Au cas où un court-circuit se produirait, la liaison à la terre réduit le risque de choc électrique, en permettant au courant de s'échapper directement vers la terre. La hotte est équipée d'un cordon comportant un conducteur de liaison à la terre avec fiche de liaison à la terre. La fiche doit être branchée dans une prise correctement installée et reliée à la terre.

**AVERTISSEMENT:** Une mise à la terre incorrecte peut entraîner un risque de choc électrique. Consulter un électricien qualifié si les instructions de mise à la terre ne sont pas complètement comprises, ou si vous avez des doutes quant à la qualité de la liaison à la terre de la hotte. Ne pas utiliser de câble de rallonge. Si le cordon d'alimentation électrique est trop court, faire installer une prise près de la hotte par un électricien qualifié.

#### CONSERVEZ CES INSTRUCTIONS

## Instructions d'installation

### Préparation de l'emplacement

- Il est recommandé que l'installation du circuit d'évacuation soit réalisée avant celle de la hotte.
  - Avant de procéder aux découpes, vérifier que les distances de séparation pour les raccords dans les cavités du plafond ou du mur sont adéquates.
  - Avant de monter le placard au mur, il sera peut-être plus facile de découper au préalable l'ouverture dans le fond du placard.
- 1 Déconnecter la source de courant électrique.
  - 2 Déterminer la méthode d'évacuation à utiliser: décharge à travers le mur ou le toit, ou recyclage.
  - 3 Choisir une surface plane pour l'assemblage de la hotte. Placer le matériau de protection sur cette surface.

### ⚠ AVERTISSEMENT

RISQUE DU POIDS EXCESSIF  
UTILISER DEUX OU PLUS DE PERSONNES POUR DÉPLACER ET INSTALLER LA HOTTE DE LA CUISINIÈRE.  
LE NON-RESPECT DE CETTE INSTRUCTION PEUT CAUSER UNE BLESSURE AU DOS OU D'AUTRE BLESSURE.

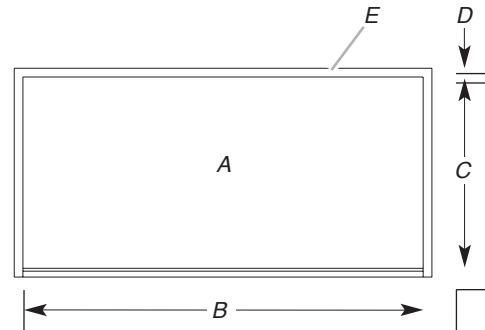
- 4 À l'aide de deux personnes ou plus, soulever la hotte et la poser sur la surface couverte.

### Ouverture découpée du placard pour la hotte

- 1 Utiliser une scie sauteuse ou scie à guichet pour découper une ouverture dans le fond du placard, à l'intérieur du cadre du placard.

**REMARQUE:** Pour les placards sans cadres, un rebord avant et arrière de  $3/4$ " (19 mm) est nécessaire pour former un cadre dans le fond du placard. Une tringle d'appui de  $3/4$ " (19 mm) d'épaisseur (non fournie) sera peut-être nécessaire pour certains types de placards. (Voir l'étape 3 de la section "Installation de la hotte".)

### Ouverture dimensions (sans barres d'espacement)

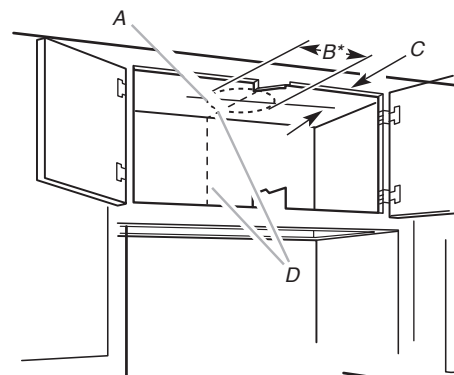


- A. Ouverture dans le fond du placard.
- B. Le découpage du fond du placard doit être en affleurement avec les parois internes du placard.
- C.  $107/8$ " (27,6 cm) min. depuis l'intérieur de la partie avant du placard
- D. Épaisseur de  $3/4$ " (19 mm) obligatoire pour le fond du placard.
- E. Avant du placard

- 2 Terminer la préparation du placard conformément aux instructions correspondant au type d'évacuation du domicile. Déterminer l'emplacement des ouvertures d'aération et découper les ouvertures dans les placards, les murs et/ou les soffites.

### Décharge à l'extérieur, à travers le toit

- 1 Relever les mesures appropriées et tracer les lignes indiquées sur l'illustration. Utiliser une scie sauteuse ou une scie à guichet pour découper une ouverture à travers le sommet du placard et le toit pour l'évacuation.

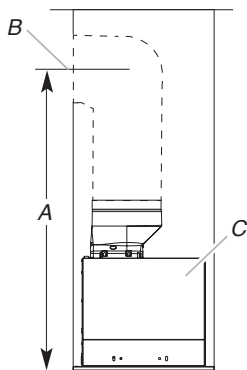


- A. Ouverture
- B.  $61/4$ " (15,9 cm)\*
- C.  $73/4$ " (19,7 cm) entre l'axe central et l'avant du placard
- D. Axe central

**REMARQUE :** Pour les placards d'une hauteur de  $12$ " (30,5 cm), une ouverture rectangulaire de  $61/4$ " de profondeur x  $8$ " de largeur (14,6 cm x 20,3 cm) dans le sommet du placard est obligatoire pour établir le dégagement nécessaire au raccord de transition du clapet anti-reflux.

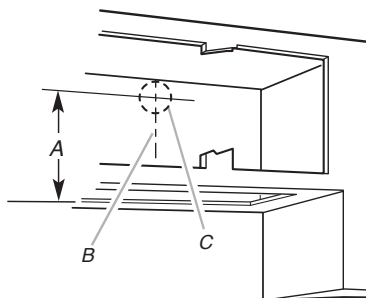
## Décharge à l'extérieur, à travers le mur

- 1 Fixer le raccord de transition du conduit de 6" (15,2 cm) au sommet de la caisse de la hotte à l'aide de deux vis de 3,5 x 9,5 mm. Assembler le conduit d'évacuation qui sera utilisé sur le raccord de transition du conduit de 6" (15,2 cm). Mesurer la distance entre le bas de la caisse de la hotte et l'axe central horizontal de l'ouverture d'évacuation (A).



- A. Mesure A
- B. Axe central horizontal de l'ouverture d'évacuation
- C. Caisse de la hotte
- D. Hauteur minimum de 12" (30,5 cm)

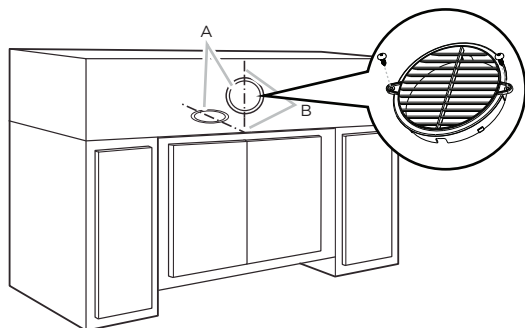
- 2 Retirer le conduit d'évacuation de la caisse de la hotte. Reporter la dimension A sur la paroi arrière du placard. Prendre les mesures à partir de la face inférieure du placard.
- 3 Marquer le périmètre de l'ouverture à découper - voir l'illustration. Utiliser une scie sauteuse ou une scie à guichet pour découper une ouverture circulaire à travers l'arrière du placard et le mur extérieur pour l'évacuation.



- A. Mesure A
- B. Axe central
- C. Ouverture découpée circulaire de 6 1/4" (15,9 cm)

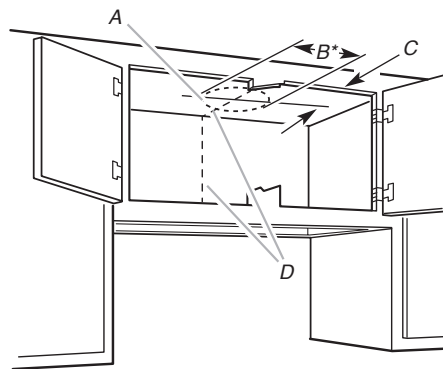
## Installation sans décharge à l'extérieur (recyclage) à travers le soffite/placard

- 1 Relever les mesures appropriées et tracer l'axe central du placard jusqu'au soffite situé au-dessus.
- 2 Mesurer la distance entre le bas du placard et l'axe central, au point où le conduit d'évacuation ressort du soffite. Indiquer l'emplacement et utiliser une scie sauteuse ou scie à guichet pour découper un trou de 5 3/4" (14,6 cm) pour le cache-conduit.



- A. Cache-conduit
- B. Axe central

- 3 Relever les mesures appropriées et tracer l'axe central de l'ouverture, dans le sommet du placard. Utiliser une scie sauteuse ou scie à guichet pour découper une ouverture pour le passage du conduit d'évacuation.



- A. Ouverture
- B. \*Voir le tableau ci-dessous.
- C. 7 3/4" (19,7 cm) entre l'axe central et l'avant du placard
- D. Axe central

Hauteur du placard	Taille et forme du trou
12" (30.5 cm)	Une ouverture rectangulaire de 6 1/4" de profondeur x 8" de largeur (15,9cm x 20,3cm) dans le sommet du placard est obligatoire pour établir le dégagement nécessaire au clapet anti-reflux.
15" (38,1 cm) : Installation dans placard ou soffite	Une ouverture circulaire de 6 1/4" (15,9 cm) de diamètre est nécessaire.
18" (45.7 cm) ou 24" (61.0)	Une ouverture circulaire de 5 3/4" (14,6cm) de diamètre est nécessaire.

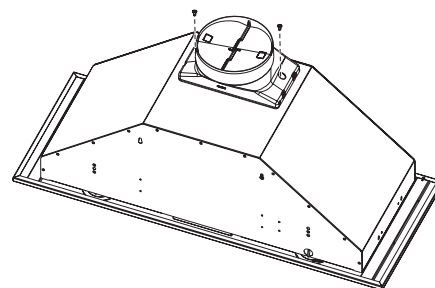
Pour les installations sans décharge à l'extérieur (recyclage) uniquement, la hotte a été configurée peut être installée avec décharge à l'intérieur du domicile, à travers le sommet du placard.

Pour une installation sans décharge à l'extérieur (recyclage), l'installation de filtres à charbon est nécessaire. Voir la section "Entretien de la hotte" pour des instructions sur l'installation de filtres au charbon.

Ensemble de recyclage. Voir la section "Assistance ou service" pour commander.

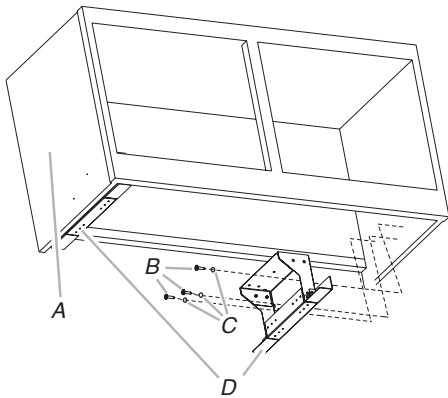
## Achever la préparation

- 1 S'il n'est pas encore fixé, installer le raccord de transition de 6" (15,2 cm) au sommet de la caisse de la hotte à l'aide de deux vis T10 de 3,5 x 9,5 mm.



- 2 Repérer l'emplacement de la bride latérale de montage, en affleurement avec le bas de la paroi latérale du placard et contre l'intérieur de la face avant du placard. Orienter la bride tel qu'indiqué dans l'illustration suivante. Percer des trous de 1/8" (3 mm) en 6 points différents et fixer une bride à l'aide de quatre vis Phillips n°2 de 4,5 x 13 mm de chaque côté du placard - serrer ensuite. Le sachet de matériel comporte des rondelles supplémentaires en plastique qui peuvent être utilisées comme cales si l'épaisseur des parois du placard est inférieure à 1/2" (13 mm).

## Orientation de la bride pour un placard



- A. Placard de 30" (76,2 cm) ou 36" (91,4 cm)  
 B. Vis de 4,5 x 13 mm (6)  
 C. Rondelles (facultatif)  
 D. Bride de montage (2) (position pour un placard de 30" [76,2 cm] ou 36" [91,4 cm])

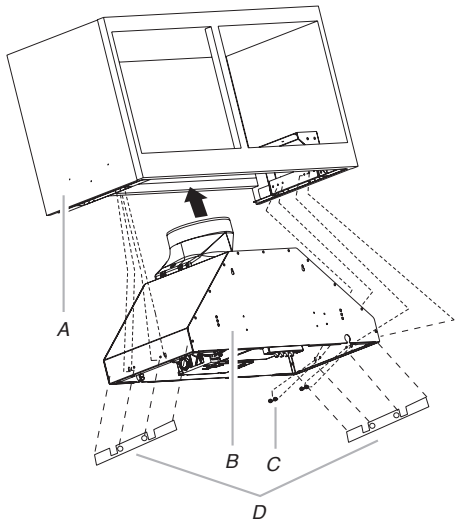
- 3** Installer le circuit d'évacuation selon la méthode requise. Utiliser un calfeutrant pour assurer l'étanchéité au point de traversée du mur extérieur ou du toit.

## Installation de la hotte

### ⚠ AVERTISSEMENT

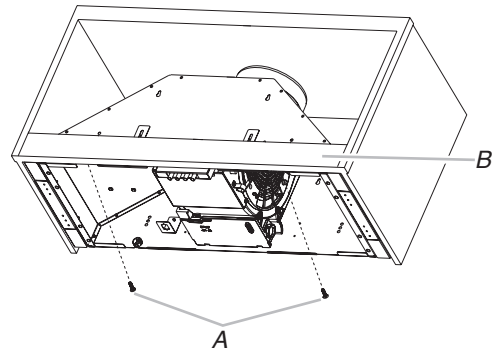
RISQUE DU POIDS EXCESSIF  
 UTILISER DEUX OU PLUS DE PERSONNES POUR DÉPLACER ET INSTALLER LA HOTTE DE LA CUISINIÈRE.  
 LE NON-RESPECT DE CETTE INSTRUCTION PEUT CAUSER UNE BLESSURE AU DOS OU D'AUTRE BLESSURE.

- 1** À l'aide d'au moins deux personnes, soulever la caisse de la hotte et l'installer. Fixer quatre vis de 4,2 x 19 mm dans les encoches. Ne pas serrer les vis.



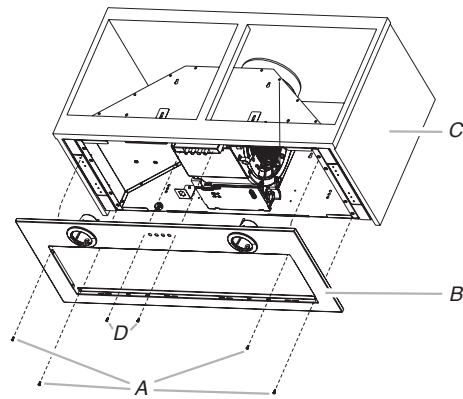
- A. Cabinet  
 B. Hood liner canopy assembly  
 C. Screws - 4,2 x 19 mm (8)  
 D. Spacer (optional)

- 2** Au besoin, insérer des cales de chaque côté de l'auvent et de la plaque de montage pour permettre le dégagement nécessaire et centrer l'auvent dans le placard. Aligner la base de l'auvent avec le bas du placard. Installer quatre vis de 4,2 x 19 mm dans les trous de la plaque de montage et serrer les huit vis de montage.
- 3 (Pour certaines installations) :** Une tringle d'appui peut être nécessaire pour certains placards. Installer une tringle d'appui et la fixer avec deux vis de 4,5 x 13 mm à partir de l'intérieur de la caisse de hotte.



- A. Vis : 4,5 x 13 mm  
 B. Tringle d'appui

- 4** Ôter les filtres à graisse métalliques du panneau avant.
- 5** Fixer le panneau avant à la caisse de hotte. (Trois tailles, la taille de placard illustrée correspond à une dimension de 30" x 12" [76,2 cm x 30,5 cm]. Voir les instructions données en fonction de la taille du placard de l'utilisateur (ci-dessous).



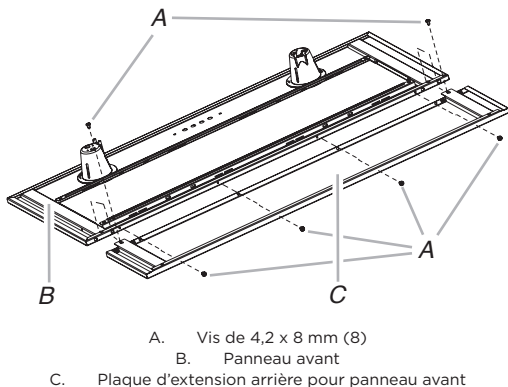
- A. Vis à tête plate de 3,5 x 9,5 mm (4)  
 B. Plaque avant (illustration 30" x 12" [76,2 cm x 30,5 cm])  
 C. Placard (illustration 30" x 12" [76,2 cm x 30,5 cm])  
 D. Vis à tête bombée de 4,2 x 15 mm (2)

### Pour taille de placard : 30" x 12" (76,2 cm x 30,5 cm)

- 1** Fixer le panneau avant de 30" x 12" (76,2 cm x 30,5 cm) (fourni avec la hotte) à la caisse de la hotte à l'aide de quatre vis à tête plate de 3,5 x 9,5 mm et deux vis à tête bombée de 4,2 x 15 mm. Serrer pour fixer l'ensemble.
- 2** Raccorder le connecteur des lampes.

### Pour taille de placard : 30" x 18" (76,2 cm x 45,7 cm)

- 1 Assembler la plaque d'extension arrière pour panneau avant de 30" x 6" (76,2 cm x 15,2 cm) (voir la section "Assistance ou Service" pour commander) au panneau avant de 30" x 12" (76,2 cm x 30,5 cm) (fourni avec la hotte) à l'aide des huit vis de 4,2 x 8 mm (fournies avec la plaque d'extension arrière pour panneau avant).
- 2 Fixer le panneau avant de 30" x 18" (76,2 cm x 45,7 cm) à la caisse de la hotte à l'aide de quatre vis à tête plate de 3,5 x 9,5 mm et deux vis à tête bombée de 4,2 x 15 mm. Serrer pour fixer l'ensemble.
- 3 Raccorder le connecteur des lampes.



## Raccordement du circuit d'évacuation

### Installations avec décharge à l'extérieur

- 1 Connecter le circuit d'évacuation sur l'ouverture de décharge de la hotte. Serrer le point de connexion avec des brides.

### Installation sans décharge à l'extérieur (recyclage)

- 1 Connecter le circuit d'évacuation sur l'ouverture de décharge de la hotte. Serrer le point de connexion avec des brides.
- 2 Installer le cache-conduit.
- 3 Installer les filtres à charbon. Voir la section "Accessoires".

## Achever l'installation

- 1 Réinstaller les filtres à graisse. Voir la section "Entretien".

### ⚠ AVERTISSEMENT

RISQUE DE CHOC ÉLECTRIQUE.

### ⚠ AVERTISSEMENT

BRANCHER SUR UNE PRISE À 3 ALVÉOLES RELIÉE À LA TERRE.

NE PAS ENLEVER LA BROCHE DE LIAISON À LA TERRE.

NE PAS UTILISER UN ADAPTATEUR.

NE PAS UTILISER UN CÂBLE DE RALLONGE.

LE NON-RESPECT DE CES INSTRUCTIONS PEUT CAUSER UN DÉCÈS, UN INCENDIE OU UN CHOC ÉLECTRIQUE.

- 2 Brancher le cordon d'alimentation à 3 broches dans la prise à 3 alvéoles reliée à la terre située dans le placard qui se trouve au-dessus de la hotte.
- 3 Contrôler le fonctionnement du ventilateur de la hotte et de la lampe. Voir la section "Utilisation de la hotte". Si la hotte ne fonctionne pas, déterminer si un disjoncteur s'est ouvert ou si un fusible du domicile est grillé. Déconnecter la source de courant électrique et inspecter les connexions du câblage.

**REMARQUE:** Pour pouvoir tirer le plus grand parti de la nouvelle hotte de cuisinière, lire la section "Description de la hotte".

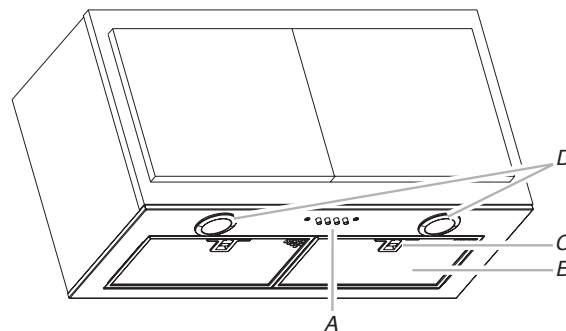
- 4 Fixer les portes du placard au placard. Utiliser les instructions d'assemblage fournies avec le placard.

## Description de la hotte

La hotte de cuisinière est conçue pour extraire fumée, vapeurs de cuisson et odeurs de la zone de la table de cuisson.

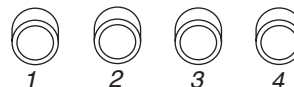
Pour obtenir les meilleurs résultats, mettre le ventilateur de la hotte en marche avant d'entreprendre une cuisson, et la laisser fonctionner pendant plusieurs minutes après l'achèvement d'une cuisson pour pouvoir évacuer de la cuisine toute trace d'odeur de cuisson, vapeur ou fumée.

Les commandes de la hotte sont situées sur l'avant-centre de la caisse de hotte.



- A. Commandes du ventilateur et de lampes DEL  
B. Filtre à graisse  
C. Poignée du filtre à graisse  
D. Logements des lampes DEL

### Commandes



1. Bouton d'éclairage marche/arrêt
2. Bouton de vitesse minimale et d'arrêt du ventilateur
3. Bouton de vitesse moyenne du ventilateur
4. Bouton de vitesse maximale du ventilateur

### Utilisation de la lampe

Le bouton d'éclairage marche/arrêt contrôle toutes les lampes. Appuyer une fois pour marche et une deuxième fois pour arrêt.

### Utilisation du ventilateur

Les boutons vitesse du ventilateur activent le ventilateur et contrôlent la vitesse du ventilateur et le niveau sonore pour un fonctionnement silencieux. On peut modifier la vitesse à tout moment pendant le fonctionnement du ventilateur en appuyant sur le bouton de vitesse du ventilateur souhaité. Appuyer une deuxième fois sur le bouton arrêt ventilateur pour éteindre le ventilateur.

## Entretien

### Nettoyage

**IMPORTANT:** Nettoyer fréquemment la hotte et les filtres à graisse en suivant les instructions suivantes. Réinstaller les filtres à graisse avant de faire fonctionner la hotte.

### Surfaces externes:

Afin d'éviter d'endommager la surface externe, ne pas utiliser de tampons en laine d'acier ou de tampons à récurer savonneux.

Toujours essuyer pour éviter de laisser des marques d'eau.

### Méthode de nettoyage:

■ Savon détergent liquide et eau, ou produit de nettoyage polyvalent.

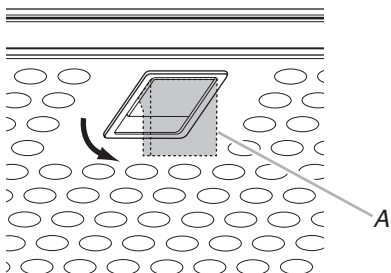
■ Frotter avec un chiffon doux humide ou une éponge non abrasive, puis rincer avec de l'eau propre et essuyer.

### Filtre à graisse métallique

Les filtres doivent être lavés fréquemment. Placer les filtres métalliques dans un lave-vaisselle ou une solution de détergent chaude.

Laisser sécher le filtre complètement avant de le réinstaller. Éteindre le ventilateur et les lampes. Laisser refroidir la lampe.

- 1 Retirer le filtre en tirant sur la poignée à ressort, puis en tirant le filtre vers le bas.



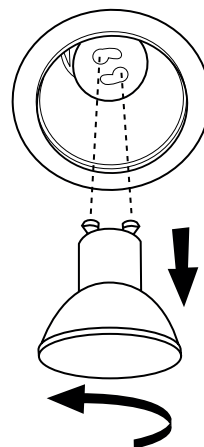
- 2 Laver le filtre métallique selon le besoin au lave-vaisselle ou avec une solution de détergent chaude.
- 3 Réinstaller le filtre en s'assurant que les poignées à ressort sont orientées vers l'avant. Insérer le filtre à graisse métallique dans la rainure supérieure.
- 4 Tirer sur la poignée à ressort.
- 5 Pousser le filtre métallique vers le haut et relâcher la poignée pour l'emboîter.
- 6 Répéter les étapes 1 à 5 pour l'autre filtre.

### Remplacement de la lampe à DEL

Interrompre l'alimentation de la hotte; attendre le refroidissement de la lampe DEL. Pour éviter d'endommager ou de réduire la longévité de l'ampoule neuve, ne pas toucher l'ampoule avec les doigts nus. Remplacer l'ampoule en la manipulant avec un mouchoir de papier ou des gants de coton.

Si les nouvelles lampes ne fonctionnent pas, vérifier que chaque lampe est correctement insérée dans sa douille avant de demander l'intervention d'un dépanneur.

- 1 Déconnecter la source de courant électrique.
- 2 Pousser la plaque de verre vers le haut et la tourner dans le sens antihoraire.



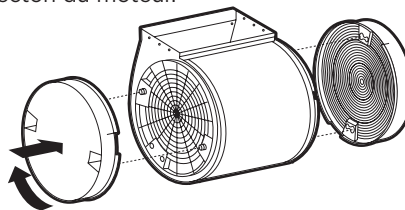
- 3 Retirer l'ampoule et la remplacer par une ampoule DEL de 120 volts, 6,5 watts maximum avec culot GU10. La tourner dans le sens horaire pour l'emboîter.
- 4 Répéter les étapes 2 à 3 pour l'autre ampoule, si nécessaire.
- 5 Reconnecter la source de courant électrique.

## Accessoires

### Kit de recirculation - KIT02770

(pour installations sans décharge à l'extérieur uniquement)  
Le filtre à charbon n'est pas lavable. Celui-ci devrait durer pendant 6 mois dans des conditions d'utilisation normales.

- 1 Placer le filtre à charbon sur la grille protégeant le moteur du ventilateur de façon à ce que les encoches du filtre correspondent aux tiges situées sur les côtés de la grille de protection du moteur.



- 2 Faire pivoter le filtre à charbon dans le sens horaire pour l'emboîter.
- 3 Répéter les étapes 1 à 2 pour l'autre filtre.

### Plaque d'extension arrière pour panneau avant

(pour placard de 30" x 18" [76,2 cm x 45,7 cm])  
Commander la pièce numéro KIT02773

# ELICA North America

## GARANTIE DE DEUX ANS

Enregistrez votre produit sur

**elica.com**

et obtenez une 3<sup>e</sup> année de garantie, qui couvre toutes les pièces en plus de la main-d'œuvre.

### POUR OBTENIR UN DEPANNAGE SOUS GARANTIE

Le propriétaire doit présenter une preuve de la date d'achat. Garder une copie de votre preuve d'achat datée (ticket de caisse) de façon à pouvoir bénéficier du service après-vente sous garantie.

### GARANTIE PIÈCES DE RECHANGE ET MAIN D'OEUVRE

Pendant une période de deux (2) ans à partir de la date d'achat, Elica s'engage à fournir gratuitement les pièces de rechange ou les composants autres que les recharges ayant des défauts de fabrication.

Durant cette garantie de deux (2) ans, Elica fournira également gratuitement, toute la main d'oeuvre et le service à domicile pour remplacer d'éventuelles pièces défectueuses.

### CE QUE LA GARANTIE NE COUVRE PAS

- Dégât ou panne du produit causé par un accident ou un cas de force majeure tels que inondation, incendie ou tremblement de terre.
- Dégât ou panne du produit causé par modification du produit ou utilisation de pièces pas d'origine.
- Dégât ou panne du produit causé lors de la livraison, de la manipulation ou de l'installation.
- Dégât ou panne du produit causé par une mauvaise utilisation.
- Dégât ou panne du produit causé par un remplacement des fusibles ou une remise en fonction des disjoncteurs par le propriétaire.
- Dégât ou panne du produit causé par une utilisation du produit pour raison commerciale.
- Déplacement à domicile pour explication d'utilisation ou d'entretien.
- Ampoules, filtres métalliques ou au charbon et toute autre pièce consommable.
- Usure normale.
- Usure due à une mauvaise utilisation du propriétaire, un entretien incorrect, une utilisation de substances nettoyantes corrosives ou abrasives et produits de nettoyage pour four.

### QUI EST COUVERT

Cette garantie s'étend à l'acheteur original de produits achetés pour un usage domestique habituel en Amérique du Nord (Y compris Etats Unis, Guam, Porto Rico, les Iles virgins Américaines & le Canada).

Cette garantie n'est pas transférable et vaut uniquement pour l'acheteur original et ne s'étend pas aux propriétaires successifs du produit. Cette garantie vaut expressément en lieu et place de toute autre garantie, expresse ou sous-entendue, mais ne limite pas toute autre garantie sous-entendue de marchandage ou adaptation dans un but particulier et toute autre obligation de la part de Elica North America, étant entendu, cependant, que si la réclamation pour garanties sous-entendues n'est pas applicable aux yeux de la loi en vigueur, la durée de toute garantie sous-entendue émanant de la loi doit être limitée à deux (2) ans à partir de la date d'achat du produit ou à une période plus longue selon ce que dit la loi en vigueur.

Cette garantie ne couvre pas tout dégât particulier, accidentel et/ou consécutif, ni les pertes et profits, à charge du propriétaire, des ses clients et/ou des utilisateurs Des produits.

### QUI CONTACTER

Pour obtenir un Service Après-vente durant la Garantie ou pour toute autre Question liée au Service Après-vente:

Appeler:

- Service Après-vente autorisé Elica North America au (888) 732-8018
- Pour l'Est du Canada, composez le 1-888 651 2534 *Demandez le service après-vente*





**Contenido**

Aviso de seguridad importante ..... 26

Lista de materiales ..... 27

Piezas suministradas ..... 27

Piezas no suministradas ..... 28

Requisitos de instalación ..... 28

Requisitos de ventilación ..... 29

Requisitos eléctricos ..... 30

Instrucciones de Instalación ..... 31

Instalación ..... 33

Conecte el sistema de ventilación ..... 33

Complete la instalación ..... 34

Descripción de la campana ..... 34

Control ..... 34

Mantenimiento..... 34

Accesorios ..... 35

Garantía ..... 36

**APROBADO PARA APARATOS DE USO DOMÉSTICO  
SÓLO PARA USO DOMÉSTICO  
LEA Y GUARDE ESTAS INSTRUCCIONES**

**ANTES DE CONTINUAR, LEA LAS INSTRUCCIONES POR COMPLETO.  
LA INSTALACIÓN DEBE CUMPLIR TODA LA NORMATIVA LOCAL.**

**IMPORTANTE:** Guarde estas instrucciones para su uso por parte del inspector de electricidad local.

**INSTALADOR:** Entregue al propietario estas instrucciones junto con la unidad.

**PROPIETARIO:** Conserve estas instrucciones para futuras consultas.

**Advertencia de seguridad:** Antes de realizar el cableado de este aparato, desactive el circuito de energía eléctrica en el panel de servicio y desbloquee el panel.

**Requisito:** Circuito auxiliar de 120 V AC, 60 Hz. 15 ó 20 A.

## AVISO DE SEGURIDAD IMPORTANTE

### PRECAUCIÓN

SÓLO PARA USO DE VENTILACIÓN GENERAL. NO UTILIZAR PARA EXPULSAR VAPORES O MATERIALES PELIGROSOS O EXPLOSIVOS.

### ADVERTENCIA

PARA REDUCIR EL RIESGO DE FUEGO, DESCARGA ELÉCTRICA O LESIONES PERSONALES, RESPETE LO SIGUIENTE:

- A. Utilice esta unidad solamente en el modo que indica el fabricante. En caso de duda, póngase en contacto con el fabricante.
- B. Antes de reparar o limpiar la unidad, desconecte la alimentación en el panel de servicio y bloquee los medios de desconexión del panel de servicio para evitar la conexión accidental de la alimentación. Si no es posible bloquear los medios de desconexión del panel de servicio, coloque un dispositivo de advertencia que destaque como, por ejemplo, una etiqueta, en el panel de servicio.
- C. La instalación y el cableado eléctrico deben realizarlos personas cualificadas de acuerdo con las normativas y los estándares aplicables, incluida la construcción ignífuga.
- D. Es necesaria una ventilación suficiente para la correcta combustión y expulsión de gases por la salida de humos (Chimenea) del equipo de combustión de carburante para evitar el contratiempo. Siga las directrices de fabricantes de equipos de calefacción y los estándares de seguridad como los publicados por la National Fire Protection Association (NFPA), American Society for Heating, Refrigeration and Air Conditioning Engineers (ASHRAE) y las normativas locales.
- E. Al efectuar orificios en una pared o techo, no dañe el cableado eléctrico y otras instalaciones ocultas.
- F. Los sistemas instalados mediante conducto deben tener ventilación con salida al exterior.

### PRECAUCIÓN

Para reducir el riesgo de fuego y conseguir una salida del aire correcta, asegúrese de conducir el aire hacia el exterior. No permita que el aire se expulse en espacios situados en el interior de muros, techos, desvanes, sótanos de pequeña altura o garajes.

### ADVERTENCIA

PARA REDUCIR EL RIESGO DE FUEGO, UTILICE SOLAMENTE TUBOS METÁLICOS.

Instale esta campana de acuerdo con los requisitos especificados.

### ADVERTENCIA

Para reducir el riesgo de fuego o descarga eléctrica, no utilice esta campana con ningún dispositivo externo en estado sólido para el control de la velocidad.

### ADVERTENCIA

PARA REDUCIR EL RIESGO DE INCENDIO OCASIONADO POR GRASA:

- a) No deje nunca ninguna unidad externa desatendida y con valores de fuego altos. La cocción puede causar humo o reboses de grasa que pueden prender fuego. Caliente el aceite a fuego lento o medio.
- b) Encienda siempre la campana cuando cocine a una temperatura alta o cuando realice flameados (por ejemplo, Crepas Suzette, cerezas flameadas, ternera a la pimienta flameada).

- c) Limpie con frecuencia los ventiladores. No permita que la grasa se acumule en el ventilador o filtro.
- d) Utilice un tamaño de sartén adecuado. Utilice siempre piezas de batería de cocina adecuadas al tamaño del elemento de superficie.

### ADVERTENCIA

PARA REDUCIR EL RIESGO DE LESIONES PERSONALES, EN CASO DE FUEGO OCASIONADO POR GRASA, TENGA EN CUENTA LO SIGUIENTE:<sup>a</sup>

- a) EXTINGA LAS LLAMAS con una tapa ajustada, una lámina para hacer galletas u otro tipo de bandeja metálica y apague el quemador de gas o elemento eléctrico. TENGA CUIDADO PARA EVITAR QUEMADURAS. Si las llamas no se extinguen inmediatamente, DESALOJE EL LUGAR Y LLAME A LOS BOMBEROS.
- b) NUNCA TOME UNA SARTÉN EN LLAMAS, podría sufrir quemaduras.
- c) NO UTILICE AGUA, incluidas bayetas o toallas húmedas ya que se produciría una violenta explosión de vapor.
- d) Utilice un extintor SÓLO si:
  - 1) Sabe que dispone de un extintor de la clase ABC y conoce su funcionamiento.
  - 2) El fuego es pequeño y se encuentra en la misma zona donde se inició.
  - 3) Ha llamado a los bomberos.
  - 4) Puede luchar contra el fuego teniendo una salida a su espalda.

<sup>a</sup>Basado en "Consejos de seguridad para fuegos de cocina" publicado por NFPA.

## FUNCIONAMIENTO

Coloque siempre las rejillas y los filtros de seguridad en su lugar correspondiente. Sin estos componentes, los ventiladores en funcionamiento podrían atrapar su pelo, sus dedos o su ropa.

El fabricante declina toda responsabilidad en caso de fallo de cumplimiento de las instrucciones aquí facilitadas para la instalación, el mantenimiento y el uso adecuado del producto. El fabricante declina además toda responsabilidad por daños ocasionados por negligencia y la garantía de la unidad queda cancelada automáticamente como consecuencia de un mantenimiento incorrecto.

### PRECAUCIÓN

Equipo operado automáticamente - para reducir el riesgo de lastimarse desconecte de la línea antes de dar servicio.

- Use esta unidad de la manera para la que fue diseñada por el fabricante. Si tiene preguntas, póngase en contacto con el fabricante.
- Electrodoméstico diseñado exclusivamente para su uso en interiores.
- Antes de dar servicio o limpiar la unidad, apague el suministro de energía en el panel de servicio y bloquee los medios de desconexión del servicio para evitar que se encienda accidentalmente el suministro de energía. Cuando el medio de desconexión del servicio no se pueda bloquear, sujete de manera segura un dispositivo de advertencia prominente, como podría ser una etiqueta, al panel de servicio.
- Limpie la unidad de acuerdo a las instrucciones descritas en este manual para evitar riesgo de incendio.

- El trabajo de instalación y cableado se debe llevar a cabo por una persona(s) calificada(s), en conformidad con todos los códigos y estándares aplicables, incluyendo construcciones clasificadas como resistentes al fuego.
- No opere ningún ventilador que tenga un cable o enchufe dañado. Deshágase del ventilador o devuélvalo a un lugar de servicio autorizado para que sea examinado y/o reparado.
- No pase el cable debajo de la alfombra. No cubra el cable con alfombras, corredores o revestimientos similares. No pase el cable debajo de muebles o electrodomésticos. Coloque el cable lejos del área de tráfico y donde no se tropezará.
- Es necesario que haya suficiente aire para la adecuada combustión y ventilación de gases a través del conducto (la chimenea) del equipo que consume combustible, para evitar que ocurra contratiro. Siga la guía y los estándares de seguridad del fabricante del equipo de calefacción.
- Cuando corte o taladre en una pared o techo, no dañe el cableado ni otros servicios públicos.
- Los ventiladores con conductos siempre deben dar salida al aire hacia el exterior.  
**NOTA:** Sólo para versión Aspirante.
- Para usarse solamente en ventilación común. No lo utilice para ventilar materiales y vapores peligrosos o explosivos.
- Sólo use conductos metálicos.

## RECOMENDACIONES GENERALES

- Nunca deje las unidades de superficie sin vigilancia cuando estén en ajustes altos. Los derrames por hervor causan salpicaduras grasosas y humeantes, las cuales pueden encenderse. Caliente los aceites lentamente y con ajustes bajos o medios.
- Siempre ENCIENDA LA CAMPANA cuando cocine.
- Limpie los filtros anti-grasa con frecuencia (al menos cada 2 meses). No permita que se acumule la grasa en el filtro. Aplica para filtros de aluminio.
- Se recomienda cambiar los filtros de carbón cada 6 meses (ver números de parte en pág. 21).
- No flamear alimentos bajo la campana de cocina.
- Use cacerolas del tamaño adecuado. Siempre use utensilios de cocción que sean los adecuados para el tamaño del elemento de la superficie.
- Este aparato no se destina para utilizarse por personas (incluyendo niños) cuyas capacidades físicas, sensoriales o mentales sean diferentes o estén reducidas o carezcan de experiencia o conocimiento a menos que dichas personas reciban supervisión o capacitación del funcionamiento del aparato por una persona responsable de su seguridad.
- Los niños deben supervisarse para asegurar que ellos no empleen los aparatos como juguete.
- No use el ventilador de la campana con ningún dispositivo semiconductor para el control de la velocidad.

## LISTA DE MATERIALES

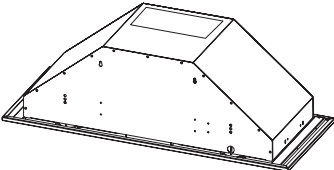
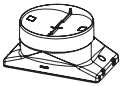
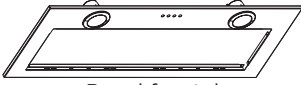


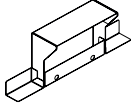



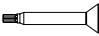




Remoción de la confección

### ⚠ PRECAUCIÓN

Quite la caja cuidadosamente, use guantes para protegerse contra los bordes afilados.

### ⚠ ADVERTENCIA

Quite la película de protección que cubre el producto antes de ponerlo en funcionamiento.

Piezas suministradas	Piezas	Piezas suministradas	Piezas
 Campana	1	 Deflector	1
 Panel frontal	1	 Filtros de grasa metálicos	2
 4.5x13 mm	8	 Soportes de montaje	2
 4.2x15 mm	2	 Espaciadores metálicos	6
 3.5x9.5 mm	4	 Adaptador Torx #10	1
 4.2x19 mm	8	 Rondana plástica	8
 4.2x8 mm	8	 Rondana metálica	8

**Herramientas/Materiales necesarios**

- Nivel
- Taladro
- Broca de 1/8" (3.0 mm)
- Lápiz
- Pinzas
- Cinta de medir o regla
- Pistola para calafateo y masilla impermeable para calafateo
- Destornillador de hoja plana
- Destornillador Phillips
- Sierra de vaivén o sierra caladora
- Abrazaderas para ducto
- Tijeras de hojalatero

**Partes necesarias**

- Ducto metálico de ventilación de 6" (15.2 cm)

**Para ventilación hacia el exterior necesitará**

- 1 tapa de pared o techo

**Para instalación sin ductos (recirculante), también necesitará:**

- Kit recirculante. Vea la sección "Accesorios".

**Requisitos de ubicación:**

**IMPORTANTE:** Observe todos los códigos y ordenanzas aplicables.

Haga que un técnico calificado instale la campana para cocina. Es la responsabilidad del instalador cumplir con los espacios de instalación especificados en la placa con la clasificación de modelo/serie. La placa con clasificación de modelo/serie está ubicada dentro del revestimiento, detrás del filtro, en la pared izquierda de la campana para cocina.

La ubicación de la campana para cocina deberá estar lejos de zonas con corrientes fuertes de aire, tales como ventanas, puertas u orificios de calefacción con un flujo intenso.

Deben usarse las dimensiones de la abertura del armario que se muestran. Las dimensiones proporcionadas proveen los espacios mínimos. Consulte las instrucciones de instalación del fabricante de la superficie de cocción/estufa antes de hacer cualquier corte.

Se requiere un enchufe eléctrico con conexión a tierra. Consulte la sección "Requisitos eléctricos".

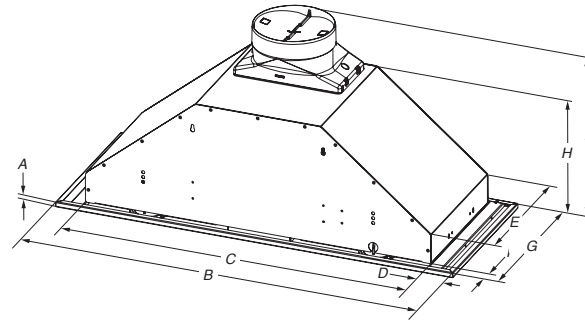
La campana para cocina se ha ajustado de fábrica para las instalaciones con ventilación a través del techo o de la pared. Para ver la instalación sin ducto de escape (con recirculación), consulte "Instalación sin ducto de escape (con recirculación) a través del sofito/armario" en la sección "Preparación de la ubicación". Se deben sellar todas las aberturas en el techo y la pared en donde se va a instalar la campana para cocina.

**Para la instalación en casas rodantes:**

Estándar de seguridad y construcción de casas fabricadas, Título 24 CFR, Parte 328 (anteriormente conocido como Federal Standard for Mobile Home Construction and Safety [Estándar federal para la seguridad y construcción de casas rodantes], Título 24, HUD Parte 280), o cuando dicho estándar no sea aplicable, el estándar Manufactured Home Installation

(Instalación en casas fabricadas) de 1982 (Manufactured Home Sites, Communities and Setups [Obras, comunidades e instalaciones de casas fabricadas]), ANSI A225.1/NFPA.

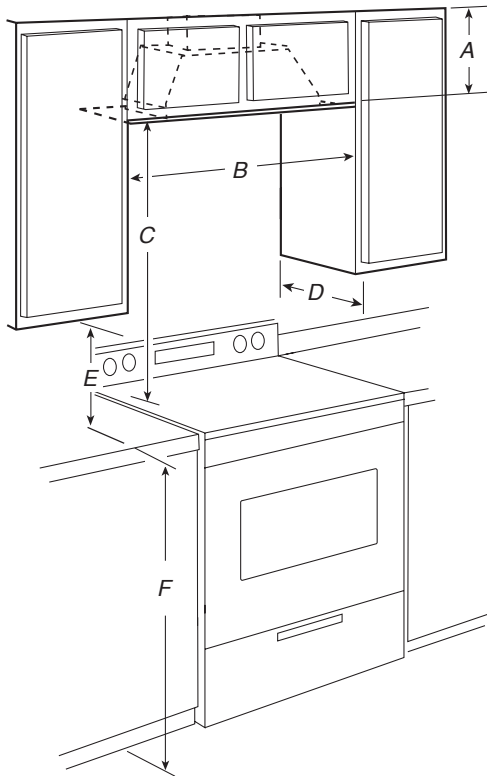
†@TORX es una marca registrada de Saturn Fasteners, Inc.

**Dimensiones del producto**

	Modelo
	<b>EAS430SS</b>
<b>A</b>	3/8" (10 mm)
<b>B</b>	30" (76.2 cm) or 36" (91.4 cm)
<b>C</b>	26" (66.1 cm)
<b>D</b>	2" (5.1 cm) or 5" (12.7 cm)
<b>E</b>	10 3/4" (27.4 cm)
<b>F</b>	3/4" (19 mm)
<b>G</b>	11 1/8" (30.2 cm) or 17 7/8" (45.4 cm)
<b>H</b>	9 1/8" (23.1 cm)
<b>I</b>	13 5/8" (33.7 cm)

Para instalaciones sobre estufas de gas y eléctricas: Monte la campana de modo que su cara inferior esté a una distancia mínima de 30" (76.2 cm) por sobre la superficie de cocinado.

## Medidas de instalación



- |   |  |
|---|--|
| A. 12" (30.5 cm) altura mínima del armario superior   | D. 12" (30.5 cm) profundidad del armario                                 |
| B. 30" (76.2 cm) o 36" (91.4 cm) de ancho de la abertura del armario  | E. 15" (38.1 cm) espacio mínimo entre el armario superior y el mostrador |
| C. 30" (76.2 cm) mínimo desde la superficie de cocción eléctrica 27" (68.6 cm) mínimo desde la superficie de cocción de gas, 36" (91.4 cm) máximo sugerido. | F. 36" (91.4 cm) altura del armario inferior                             |

**\*NOTA:** Esta campana está configurada para su uso en gabinetes de 30" (76.2 cm) de ancho x 12" (30.5 cm) o 18" (45.7 cm) de profundidad. Gabinetes de 36" (91.4 cm) de ancho requiere 18" (45.7 cm) de profundidad. Para gabinetes de 18" (45.7 cm) de profundidad, se debe comprar por separado una extensión posterior del panel frontal (30" [76,2 cm]). Consulte la sección "Accesorios" para ordenar.

## Requisitos de ventilación

- El sistema de ventilación debe terminar en el exterior, excepto para las instalaciones sin ducto de escape (con recirculación).
- No dirija la salida del sistema de ventilación hacia el desván u otra área cerrada.
- No utilice una cubierta de pared de tipo para lavandería de 4" (10.2 cm).
- Utilice ducto de escape de metal únicamente. Se recomienda un ducto de escape de metal rígido. No se recomienda ducto de escape de plástico u hoja metálica. El largo del sistema de ventilación y el número de codos se deben mantener.

### Para obtener el funcionamiento más eficaz y silencioso:

- No use más de 3 codos de 90°.
- Asegúrese de que haya un mínimo de 24" (61 cm) de ducto de escape recto entre los codos, si se utiliza más de 1 codo.
- No instale 2 codos lado a lado.

- El sistema de ventilación debe tener una compuerta.
- Use abrazaderas para sellar todas las juntas en el sistema de ventilación.
- Utilice masilla de calafateo para sellar la abertura exterior de la pared o el techo alrededor de la cubierta.
- El tamaño del ducto de escape debe ser uniforme.

### Instalaciones en climas fríos

Como parte del sistema de ventilación, se deberá instalar una compuerta de contratiro adicional para minimizar el flujo de aire frío hacia atrás, y un dispositivo de interrupción térmico para reducir la conducción de las temperaturas exteriores. La compuerta deberá estar en el lado del aire frío del dispositivo de interrupción térmico. El dispositivo de interrupción deberá estar lo más cerca posible del lugar donde el sistema de ventilación entra a la parte con calefacción de la casa.

### Aire de complemento

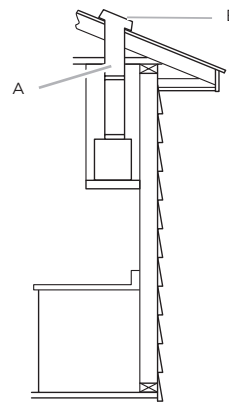
Los códigos locales de construcción podrían requerir el uso de sistemas de aire de complemento, en el caso de que se usen sistemas de ventilación con un movimiento de aire mayor a los CFM (pies cúbicos por minuto) especificados. Los pies cúbicos por minuto especificados varían entre localidades. Consulte a su profesional de Calefacción, Ventilación y Acondicionamiento de Aire (HVAC) para obtener información sobre los requisitos particulares en su zona.

### Métodos de ventilación

La campana para cocina se ha ajustado de fábrica para tener una ventilación a través del techo o de la pared. Puede transformar el método de ventilación a recirculación comprando el kit de recirculación.

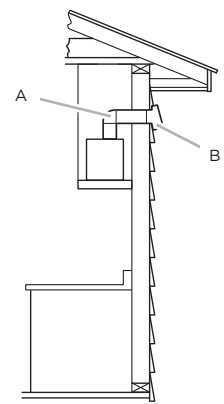
No se incluye el sistema de ducto de escape necesario para la instalación. Se recomienda un sistema de ducto de escape redondo de 6" (15.2 cm).

Ventilación a través del techo



- A. Ducto de 6" (15.2 cm) a través del techo  
B. Boquilla para el techo

Ventilación a través de la pared



- A. Ducto de 6" (15.2 cm) a través de la pared  
B. Boquilla para pared

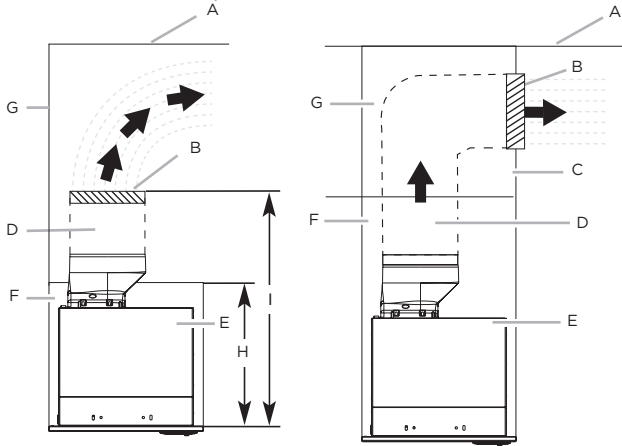
### Calcular la longitud del sistema de ventilación

El sistema de ventilación recomendado es una ventilación redonda de 6" (15,2 cm) con una longitud máxima de 35 pies (10,7 m). Para obtener el mejor rendimiento, no use más de tres codos de 90°. Para calcular la longitud del sistema, agregue los pies equivalentes (metros) para cada una de las piezas de ventilación utilizadas en el sistema.

Pieza	6" (15.2 cm)	
codo de 45°	2.5 ft (0.8 m)	
codo de 90°	5.0 ft (1.5 m)	

### Instalación sin ductos (recirculante) a través del gabinete

Si no es posible ventilar los humos y vapores de cocina hacia el exterior, la campana extractora se puede utilizar en versión (recirculante), utilizando un filtro de carbón. El kit de recirculación está disponible en el distribuidor o en un distribuidor autorizado de piezas.



- |                          |  |
|--------------------------|--|
| A. Techo                 | F. Gabinete  |
| B. Cubierta del ducto    | G. Pared   |
| C. Sofito                | H. Altura mínima del gabinete: 12" (30.5 cm)             |
| D. Ducto de 6" (15.2 cm) | I. Altura mínima de la cubierta del ducto: 17" (43.2 cm) |
| E. Campana               |  |

**\*NOTA:** Para gabinetes con altura de 12" (30.5 cm), se necesita una abertura rectangular de 6¼" de profundidad x 8" de ancho (14.6 cm x 20.3 cm) en la parte superior del armario para tener un espacio para pieza de transición de la compuerta.

## Requisitos eléctricos

### ⚠ ADVERTENCIA

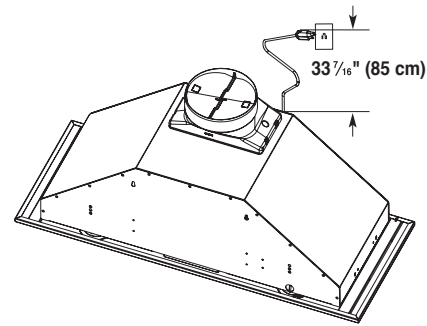
CONECTE A UN CONTACTO DE PARED DE CONEXIÓN A TIERRA DE 3 TERMINALES.  
NO quite LA TERMINAL DE CONEXIÓN A TIERRA.  
NO USE UN ADAPTADOR.  
NO USE UN CABLE ELÉCTRICO DE EXTENSIÓN.  
NO SEGUIR ESTAS INSTRUCCIONES PUEDE OCASIONAR LA MUERTE, INCENDIO O CHOQUE ELÉCTRICO.

**IMPORTANTE:** La campana para cocina deberá estar conectada a tierra de acuerdo con los códigos y ordenanzas locales, o en la ausencia de códigos locales, con el National Electrical Code (Código Nacional Eléctrico), ANSI/NFPA 70 (última edición) o el Canadian Electrical Code (Código Canadiense de Electricidad), CSA C22.1 No. 0-M91 (última edición).

Si los códigos lo permiten y se emplea un alambre de conexión a tierra separado, es recomendable que un instalador eléctrico calificado determine si la trayectoria de conexión a tierra es adecuada. Usted puede obtener una copia de las normas de los códigos arriba indicadas en:

National Fire Protection Association  
1 Batterymarch Park  
Quincy, MA 02169-7471  
CSA International  
8501 East Pleasant Valley Road  
Cleveland, Ohio 44131-5575

- Se necesita un circuito eléctrico de 120 voltios, 60 hertzios, CA solamente, de 15 ó 20 amperios y protegido con fusibles.
- También se recomienda usar un fusible retardador o un cortacircuitos. Asimismo se recomienda el uso de un circuito independiente que preste servicio únicamente a esta campana para cocina.
- Esta campana para cocina viene equipada con un cable eléctrico dotado de un enchufe con tres terminales y conexión a tierra.
- Para reducir al mínimo el peligro de posibles choques eléctricos, el cable debe estar enchufado en un contacto apropiado de pared de 3 terminales, conectado a tierra de acuerdo con los códigos y ordenanzas locales. Si no hay disponible un contacto equivalente, es responsabilidad y obligación personal del cliente de tener un contacto apropiado con conexión a tierra instalado por un electricista calificado.
- El enchufe de 3 terminales con conexión a tierra debe estar ubicado dentro del armario, encima de la campana para cocina, a una distancia máxima de 33⅞" (85 cm) desde donde el cable eléctrico sale de la campana.



### INSTRUCCIONES PARA LA CONEXIÓN A TIERRA

- Esta campana para cocina debe estar conectada a tierra.
- En caso de que se produzca un cortocircuito, la conexión a tierra reduce el riesgo de choque eléctrico al proporcionar un alambre de escape para la corriente eléctrica. Esta campana para cocina está equipada con un cable que incluye un alambre y un enchufe a tierra. El enchufe debe ser conectado a un contacto debidamente instalado y puesto a tierra.

**ADVERTENCIA:** La conexión a tierra inadecuada puede ocasionar un riesgo de choque eléctrico.

Consulte a un electricista competente si no comprende totalmente las instrucciones de puesta a tierra o si tiene dudas acerca de si la campana para cocina fue puesta a tierra correctamente. No use un cable eléctrico de extensión. Si el cable de suministro eléctrico es demasiado corto, haga que un electricista competente instale un contacto cerca de la campana para cocina.

**GUARDE ESTAS INSTRUCCIONES**

# Instrucciones de instalación

## Prepare la ubicación

- Se recomienda que el sistema de ventilación sea instalado antes de que se instale la campana para cocina.
- Antes de hacer los recortes, asegúrese que haya suficiente espacio libre dentro del techo o la pared para los accesorios del ducto de escape.
- Tal vez sea más fácil hacer el corte hacia la base del armario antes de montar el armario en la pared.

- 1 Desconecte el suministro de energía.
- 2 Decida qué método de ventilación usar: a través del techo, de la pared o sin ducto.
- 3 Seleccione una superficie plana para ensamblar la campana para cocina. Cubra dicha superficie.

## ⚠ ADVERTENCIA

PELIGRO DE PESO EXCESIVO  
USE DOS O MÁS PERSONAS PARA MOVER E INSTALAR LA CAMPANA DE COCINA.  
NO SEGUIR ESTA INSTRUCCIÓN PUEDE OCASIONAR UNA LESIÓN EN LA ESPALDA U OTRO TIPO DE LESIONES.

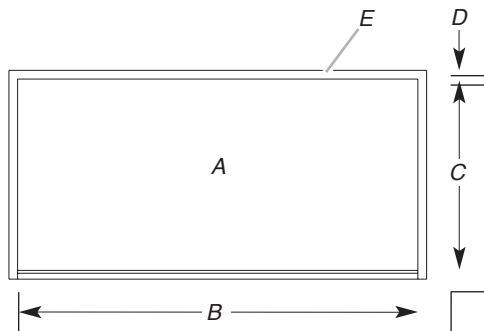
- 4 Con la ayuda de 2 o más personas, levante la campana de cocina y colóquela en la superficie cubierta.

## Cortes al gabinete

- 1 Use una sierra de vaivén o caladora para cortar la base del armario dentro del marco del mismo.

**NOTA:** Los gabinetes sin marco requieren una franja de  $\frac{3}{4}$ " (1.9 cm) en la parte inferior del gabinete. Es posible que se requiera un espaciador de  $\frac{3}{4}$ " (1.9 cm) de grosor (no suministrado) para algunos tipos de gabinetes. (Vea el paso 3 en la sección "Instalación de la campana extractora").

## Dimensiones de corte (sin espaciadores)

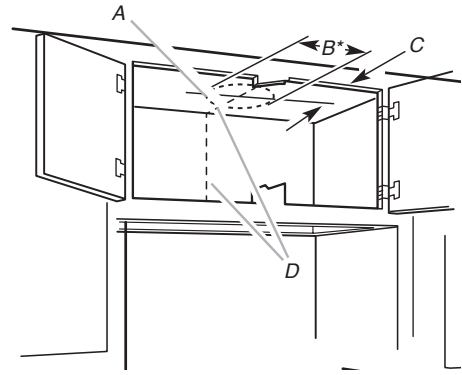


- A. Corte inferior de gabinete
- B. La parte inferior debe cortarse a ras de las paredes interiores del gabinete.
- C. 107/8" (27,6 cm) mín. desde el interior de la parte frontal del gabinete.
- D. Se requiere una cara frontal de  $\frac{3}{4}$ " (19 mm) de espesor para la parte inferior del gabinete.
- E. Frente del gabinete

- 2 Complete la preparación del gabinete siguiendo las instrucciones para el tipo de ventilación que ha elegido. Determine los cortes para el ducto de ventilación en el gabinete, pared o techo.

## Ventilación hacia el exterior a través del techo

- 1 Mida y marque las líneas como se muestra. Use una sierra para hacer una apertura a través de la cara superior del gabinete y el techo para el sistema de ventilación.

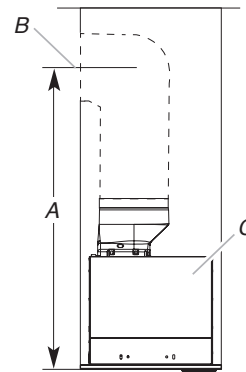


- A. Corte
- B.  $6\frac{1}{4}$ " (15.9 cm)\*
- C.  $7\frac{3}{4}$ " (19.7 cm) de la línea central al frente del gabinete
- D. Línea central del gabinete

\* **NOTA:** Para gabinetes de 12" (30.5 cm) de alto, se requiere una abertura rectangular de  $6\frac{1}{4}$ " de profundidad x 8" de ancho (14.6 cm x 20.3 cm) en la parte superior del gabinete para un espacio libre de transición de la compuerta

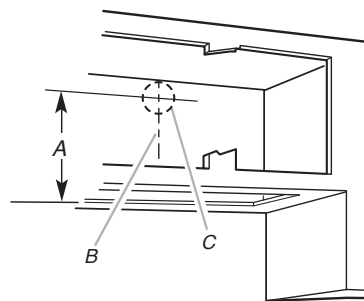
## Ventilación hacia el exterior a través de la pared

- 1 Instale la transición de ventilación de 6" (15,2 cm) en la parte superior del revestimiento de la campana extractora con dos tornillos de 3,5 x 9,5 mm. Ensamble el conducto de ventilación que usará sobre la transición de ventilación de 6" (15,2 cm). Mida desde la parte inferior del revestimiento de la campana extractora hasta la línea central horizontal de la abertura de ventilación (A).



- A. Medida A
- B. Línea de centro horizontal de la abertura de ventilación
- C. Revestimiento de la campana

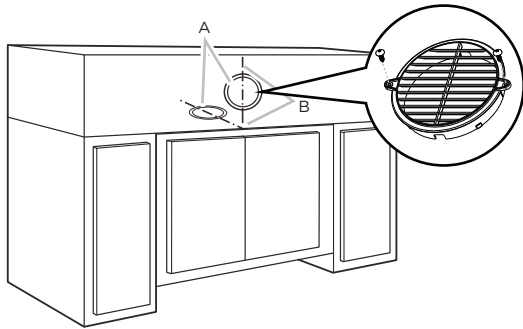
- 2 Retire el ducto de escape del revestimiento de la campana para cocina. Transfiera la medida A a la pared posterior del gabinete. Mida desde la parte de abajo del gabinete.
- 3 Marque el recorte como se muestra. Use una sierra de vaivén o caladora para cortar una abertura redonda a través de la parte posterior del gabinete y de la pared exterior para el ducto de escape.



- A. Medida A
- B. Línea central
- C. Corte redondo de  $6\frac{1}{4}$ " (15.9 cm)

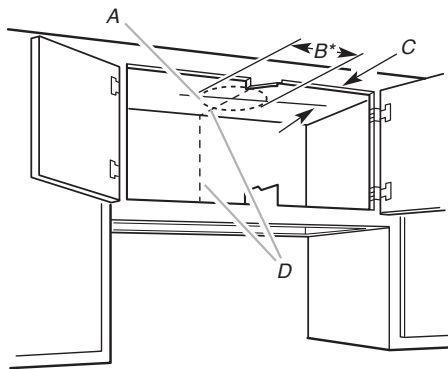
### Instalación sin ductos (recirculante) a través del gabinete

- 1 Mida y marque la línea central del armario al soffito que está encima.
- 2 Mida desde la base del armario hasta la línea central de donde el ducto de escape atravesará el soffito. Marque la ubicación y use una sierra de vaivén o caladora para cortar un orificio de 5¾" (14.6 cm) para la cubierta del ducto.



A. Cubierta del ducto  
B. Línea central

- 3 Mida y marque la ubicación de la línea central para el corte en la parte superior del gabinete. Use una sierra de sable o una sierra de calar para cortar una abertura para la ventilación.



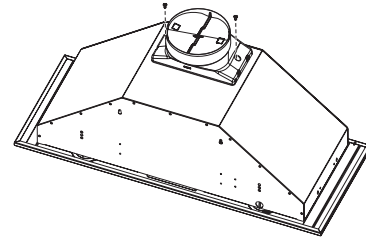
A. Corte  
B. \*Ver tabla.  
C. 7¾" (19.7 cm) de la línea central al frente del gabinete  
D. Línea central del gabinete

Altura gabinete	Forma y Tamaño de corte
12" (30.5 cm)	Corte rectangular de 6¼" de profundidad x 8" de ancho (15.9 cm x 20.3 cm) en la parte superior del gabinete.
15" (38.1 cm)	Circular de 6¼" (15.9 cm) de diámetro.
18" (45.7 cm) or 24" (61.0)	Circular de 5¾" (14.6 cm) de diámetro.

Para instalaciones sin ventilación (recirculación), la campana extractora puede ventilarse en interiores a través de la parte superior del gabinete. Consulte en la sección "Accesorios" el Kit recirculante.

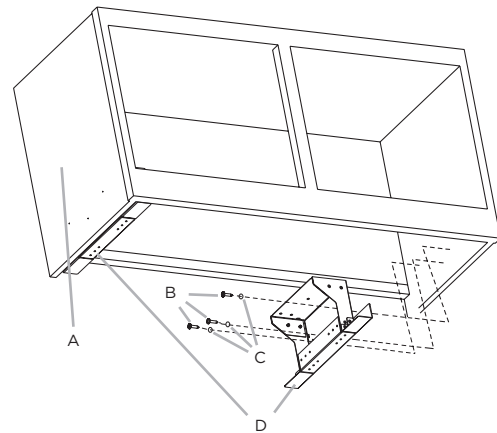
### Complete la preparación

- 1 Si aún no está sujeto, instale la transición de 6" (15.2 cm) a la parte superior de la campana usando 2 tornillos de 3.5 x 9.5 mm.



- 2 Ubique el soporte de montaje lateral al ras con la base del lado del armario y contra el interior de la cara frontal del armario. Oriente el soporte como se muestra en la ilustración a continuación. Taladre orificios piloto de ⅛" (3 mm) en 6 lugares, sujete un soporte con tres tornillos de 4.5 x 13 mm a cada lado del armario y apriete. Se suministran arandelas adicionales en el paquete de hardware como espaciadores para paredes de gabinetes más delgadas de ½" (13 mm).

### Orientación del soporte para gabinete



A. Gabinete de 30" (76.2 cm) o 36" (91.4 cm)  
B. 6 tornillos - 4.5 x 13 mm  
C. Rondanas (opcionales)  
D. 2 soportes de montaje (posición para gabinetes de 30" [76.2 cm] o 36" [91.4 cm])

- 3 Instale el sistema de ventilación de acuerdo al método necesario. Use masilla de calafateo para sellar todas las aberturas.

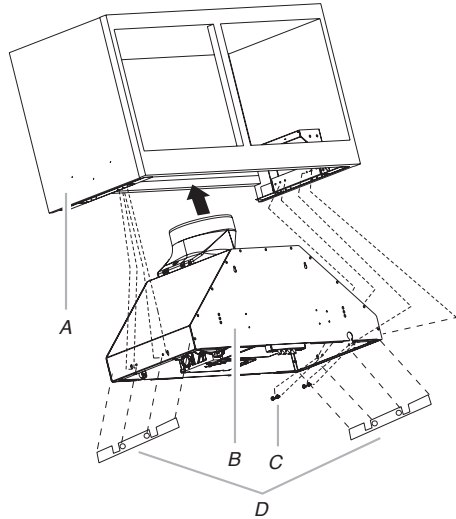


## Instalación

### ⚠ PRECAUCIÓN

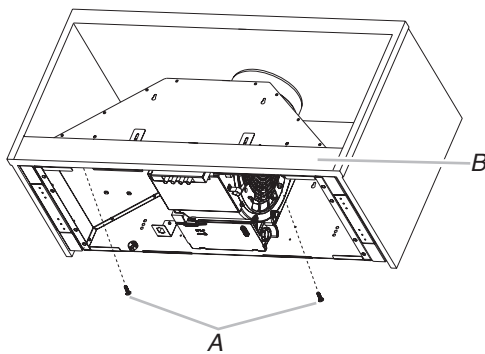
PELIGRO DE PESO EXCESIVO  
 USE DOS O MÁS PERSONAS PARA MOVER E INSTALAR LA  
 CAMPANA DE COCINA.  
 NO SEGUIR ESTA INSTRUCCIÓN PUEDE OCASIONAR UNA  
 LESIÓN EN LA ESPALDA U OTRO TIPO DE LESIONES.

- Entre dos o más personas, levante el forro del capó en su ubicación montada. Fije con cuatro tornillos de 4.2 x 19 mm en las aberturas ranuradas. No apriete los tornillos.



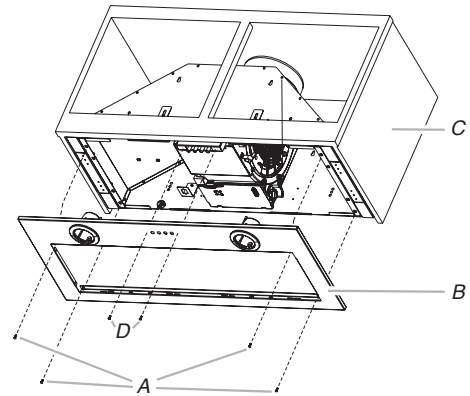
A. Gabinete  
 B. Ensamble de la campana  
 C. Tornillos de 4.2 x 19 mm (8)  
 D. Espaciadores (opcionales)

- Si es necesario, inserte espaciadores entre cada lado de la campana y la placa de montaje para espaciar y centrar la campana en el gabinete. Alinee la parte inferior de la campana con la parte inferior del gabinete. Instale cuatro tornillos de 4.2 x 19 mm en las aberturas redondas de la placa de montaje y apriete los ocho tornillos de montaje.
- Es posible que se requiera un espaciador para algunos gabinetes. Instale un espaciador y fíjelo con dos tornillos de 4,5 x 13 mm desde el interior del frente del conjunto de revestimiento de la campana.



A. 2 tornillos 4.5 x 13 mm  
 B. Espaciador

- Remueva los filtros metálicos de grasa del panel frontal.
- Sujete el panel inferior al cuerpo de la campana. (Se muestra el tamaño del gabinete de 30 "x 12" [76.2 cm x 30.5 cm]). Consulte las instrucciones a continuación para conocer el tamaño de su gabinete específico.



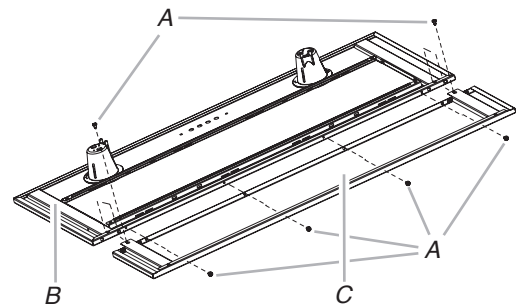
A. 4 tornillos de 3.5 x 9.5 mm  
 B. Panel frontal (en imagen: 30" x 12" [76.2 cm x 30.5 cm])  
 C. Cabinet (en imagen: 30" x 12" [76.2 cm x 30.5 cm] shown)  
 D. 2 tornillos de 4.2 x 15 mm

### Para gabinete de 30" x 12" (76.2 cm x 30.5 cm)

Fije el panel frontal de 30 "x 12" (76,2 cm x 30,5 cm) (suministrado con la campana extractora) al revestimiento de la campana con cuatro tornillos de 3,5 x 9,5 mm y dos tornillos de 4,2 x 15 mm. Apriete para asegurar.

### Para gabinete de 30" x 18" (76,2 cm x 45,7 cm)

Ensamble la extensión posterior del panel frontal de 30" x 6" (76.2 cm x 15.2 cm) (consulte la sección "Accesorios" para ordenar) en el panel frontal de 30 "x 12" (76.2 cm x 30.5 cm) (suministrado con campana extractora) con ocho tornillos de 4,2 x 8 mm (suministrados con la extensión posterior del panel frontal).



A. 4 tornillos - 4.2 x 8 mm  
 B. Panel frontal  
 C. Barras espaciadoras

## Conecte el sistema de ventilación

### Instalaciones con ducto de salida de aire

- Conecte el ducto del sistema de ventilación a la abertura de la campana de cocina. Selle la conexión con las abrazaderas.

### Instalaciones sin ducto de escape (con recirculante)

- Conecte el sistema de ventilación a la abertura de la campana de cocina; selle la conexión con las abrazaderas.
- Instale los filtros de carbón. Para ordenar kits de reemplazo, vea la sección "Accesorios".

## Complete la instalación

- 1 Vuelva a colocar los filtros para grasa. Consulte la sección de "Mantenimiento".

**⚠ ADVERTENCIA**  
PELIGRO DE CHOQUE ELÉCTRICO

**⚠ ADVERTENCIA**  
CONECTE A UN CONTACTO DE PARED DE CONEXIÓN A TIERRA DE 3 TERMINALES.  
NO quite LA TERMINAL DE CONEXIÓN A TIERRA.  
NO USE UN ADAPTADOR.  
NO USE UN CABLE ELÉCTRICO DE EXTENSIÓN.  
NO SEGUIR ESTAS INSTRUCCIONES PUEDE OCASIONAR LA MUERTE, INCENDIO O CHOQUE ELÉCTRICO.

- 2 Enchufe el cable eléctrico de 3 terminales en un contacto de 3 terminales con conexión a tierra, dentro del armario, por encima de la campana para cocina.

- 3 Verifique el funcionamiento del ventilador de la campana de cocina y la luz. Consulte la sección "Descripción de la campana". Si la campana de cocina no funciona, revise si se ha disparado un cortacircuitos o si se ha quemado un fusible doméstico. Desconecte el suministro eléctrico y revise las conexiones de cableado.

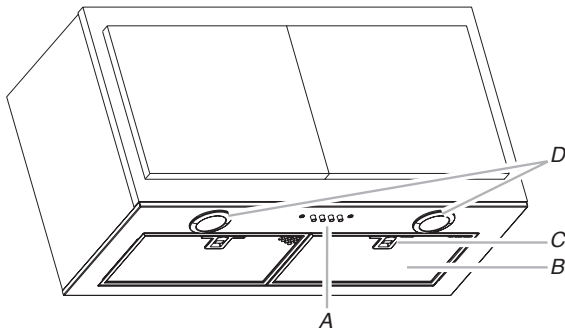
**NOTA:** Para obtener un uso más eficaz de su nueva campana de cocina, lea la sección "Descripción de la campana".

- 4 Install the cabinet doors to the cabinet. Use the assembly instructions that come with the cabinet.

## Descripción de la campana

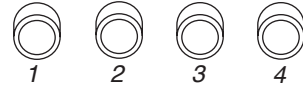
La campana para cocina se ha diseñado para remover humo, vapores provenientes de la cocción y olores del área de la superficie de cocción. Para obtener mejores resultados, encienda la campana antes de cocinar y permita que funcione por varios minutos después de haber cocinado, para que quite todo el humo y los olores de la cocina.

Los controles de la campana están ubicados en la parte frontal del revestimiento de la campana para cocina.



- A. Panel de control
- B. Filtros de grasa
- C. Manija de filtro de grasa
- D. Lámparas LED

## Controles



1. Botón de encendido/apagado de la luz
2. Botón de encendido/apagado del motor, velocidad mínima del motor
3. Botón de la velocidad media del motor
4. Botón de la velocidad máxima del motor

### Funcionamiento de la luz

El botón de encendido/apagado de la luz (1) controla ambas luces. Presione una vez "encendido" y nuevamente para "apagado".

### Funcionamiento del motor

Los botones de velocidad del ventilador encienden el ventilador y controlan su velocidad y nivel de sonido para un funcionamiento silencioso. La velocidad puede cambiar en cualquier momento durante el funcionamiento de la campana al presionar el botón con la velocidad deseada del motor.

Para apagar el motor, presione el botón de encendido/apagado del motor (2).

## Mantenimiento

### Limpieza

No aplique limpiadores directamente al control durante la limpieza de la campana.

La campana debe ser limpiada con frecuencia tanto externamente como internamente (con la misma frecuencia con la que se realiza el mantenimiento de los filtros de grasa). Para la limpieza, utilice un paño impregnado de detergente líquido neutro. No utilice productos que contengan abrasivos. No utilice limpiadores con cloro.  
**¡NO UTILICE ALCOHOL!**

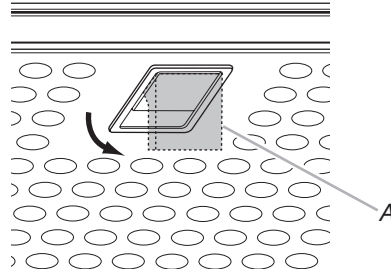
### ⚠ ¡ATENCIÓN!

De no observarse las instrucciones dadas para limpiar el aparato y sustituir el filtro, puede producirse un incendio. El fabricante recomienda leerlas y respetarlas atentamente. El fabricante no se hace responsable por los daños al motor o los incendios provocados en el aparato debido a intervenciones de mantenimiento incorrectas o al incumplimiento de las normas de seguridad proporcionadas.

### Reemplazo de los filtros de grasa metálicos

Los filtros deberán lavarse con frecuencia. Coloque los filtros metálicos en la lavavajillas o con una solución caliente de detergente para limpiarlos. Deje que el filtro se seque por completo antes de volver a colocarlo. Apague el ventilador y las luces.

- 1 Remueva cada filtro jalando la manija (A) y después bajando el filtro.



- 2 Lave los filtros metálicos cuando sea necesario en lavavajillas o solución jabonosa caliente.

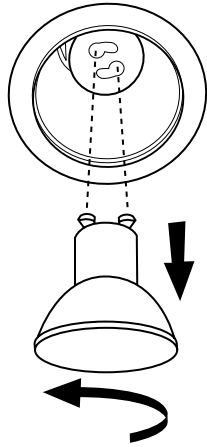
- 3 Vuelva a instalar el filtro asegurándose de que las manijas de liberación con resorte estén mirando hacia el frente.
- 4 Inserte el filtro de metal para grasa dentro de la guía superior.
- 5 Jale hacia abajo la manija de liberación con resorte.
- 6 Empuje el filtro de metal hacia arriba y suelte la manija para que se traben en su lugar.
- 7 Repita los pasos 1 a 5 para el otro filtro.

### Reemplazo de las lámparas LED

Apague la campana extractora y permita que la lámpara LED se enfríe. Para evitar daños o disminuir la vida útil de la nueva bombilla, no la toque con los dedos desnudos. Reemplace la bombilla con un pañuelo de papel o con guantes de algodón para manejar la bombilla.

Si las lámparas nuevas no funcionan, asegúrese de que las lámparas estén insertadas correctamente antes de llamar al servicio técnico.

- 1 Desconecte la energía.
- 2 Empuje hacia arriba la bombilla y gírela en sentido contrario-reloj.



- 3 Retire la bombilla y reemplácela con una bombilla LED de 120 V y 6.5 W como máximo con una base GU10. Gírela en sentido horario para bloquearlo en su lugar.
- 4 Repita los pasos 2-3 para la otra bombilla si es necesario.
- 5 Reconecte la energía.

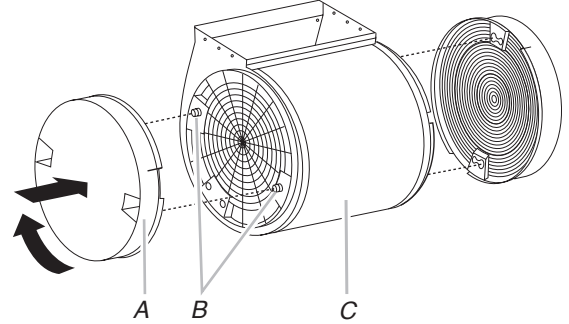
## Accesorios

### Kit Recirculante - KIT02770

(solo para instalaciones sin ventilación)

Los filtros de carbón ya no pueden ser limpiados. Deben ser reemplazados cada 4-6 meses (dependiendo de su uso).

- 1 Cubra la rejilla que protege el motor del motor con el filtro de carbón, de manera que las ranuras del filtro coincidan con las espigas en los lados de la rejilla del motor.



A. Filtro de carbón  
B. Espigas de sujeción  
C. Motor

- 2 Gire el filtro de carbón hacia la derecha para asegurarlo.

### Extensión posterior del panel frontal - KIT02773

(para gabinete de 30" x 18" [76.2 cm x 45.7 cm])

## **PARA OBTENER SERVICIO DENTRO DE GARANTÍA**

El propietario debe presentar su recibo original de la compra. Guarde por favor una copia de su recibo de compra como prueba, para recibir el servicio dentro del periodo de garantía.

## **PARTES Y GARANTÍA DE SERVICIO**

Por el periodo de dos (2) años desde la fecha original de la compra, Elica proveerá, gratuitamente, partes no-consumibles o componentes que hayan fallado debido a defectos de fabricación. Durante estos dos (2) años de garantía limitada, Elica también proveerá gratuitamente, todo el servicio en casa y mano de obra necesaria para reemplazar cualquier parte defectuosa.

## **QUÉ NO ESTÁ CUBIERTO**

- Daños o fallas del producto causados por accidente o actos de Dios, tales como inundaciones incendios o terremotos.
- Daños o fallas causadas por alteración del producto o por el uso de partes no-originales.
- Daños o fallas del producto causados durante la entrega, manejo o instalación.
- Daños o fallas del producto causados por abuso del usuario.
- Daños o fallas del producto causados por reemplazo de fusibles dañados o reseteo de interruptor de circuito.
- Daño o fallas causados por el uso del producto en un ambiente comercial (no doméstico).
- Viajes de servicio para proporcionar orientación de uso o instalación.
- Bombillas, filtros de carbón o metal y cualquier otra parte consumible.
- Desgaste normal.
- Desgaste terminal debido a abusos del usuario, mantenimiento inadecuado, uso de productos / toallas de limpieza corrosivos o abrasivos y por uso de limpiadores para hornos.

## **QUIÉN ESTÁ CUBIERTO**

Esta garantía se extiende al comprador original de productos adquiridos para uso residencial en Norte América (incluyendo Estados Unidos, Guam, Puerto Rico, Islas Vírgenes de EU y Canadá).

Esta garantía no es transferible y aplica solamente al comprador original y no se extiende a propietarios subsecuentes del producto. Esta garantía se expresa en lugar de otras garantías, expresadas o implicadas, incluyendo, pero no limitada a ninguna garantía implicada de comercialización o adaptada para propósitos particulares y cualquier otra obligación por parte de Elica North America, considerando, sin embargo, que si la negación de garantías implícitas es inefectiva bajo la ley aplicable, la duración de cualquier garantía implícita será limitada a dos (2) años desde la fecha original de compra o por el periodo necesario como sea requerido por la ley aplicable.

Esta garantía no cubre cualquier daño especial, incidental y/o consecuente, ni pérdidas de ganancias, sufridas por el comprador original, sus clientes y/o usuarios del producto.

## **A QUIÉN CONTACTAR**

Para obtener Servicio bajo Garantía o para cualquier pregunta relacionada a Servicio:

Favor de llamar a:

- Servicio Elica North America, llame a 1-888 732 8018
- Para el Este de Canadá, llame a Servicios AGI a 1-888 651 2534. Pregunte por el *Departamento de Servicio al Cliente*
- [elica@servicepower.com](mailto:elica@servicepower.com)