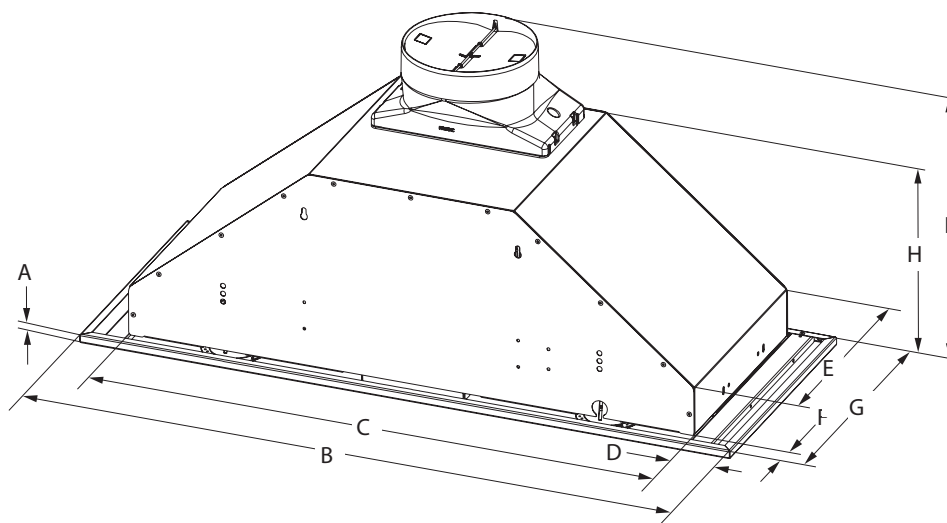


ASTI 30"

EAS430SS



	EAS430SS
A	3/8" (10 mm)
B	30" (76.2 cm) or 36" (91.4 cm)
C	26" (66.1 cm)
D	2" (5.1 cm) or 5" (12.7 cm)
E	10 ³ / ₄ " (27.4 cm)
F	3/4" (19 mm)
G	11 ⁷ / ₈ " (30.2 cm) or 17 ⁷ / ₈ " (45.4 cm)
H	9 ¹ / ₈ " (23.1 cm)
I	13 ⁵ / ₈ " (33.7 cm)

For gas and electric ranges installation: Mount this hood so that the bottom edge is at minimum 30"(76.2 cm) above the cooking surface.