

BELLAGIO



UNDER-CABINET

TECHNE

Dimensions

30"W x 20"D x 4 3/4"H
36"W x 20"D x 4 3/4"H

Models

EBL430SS Bellagio 30" Stainless
EBL436SS Bellagio 36" Stainless

Special features



CFM REDUCTION



HEAT GUARD



Halogen Lamps



Multi-function Electronic Controls with LCD display



Anodized Aluminum Mesh Filters



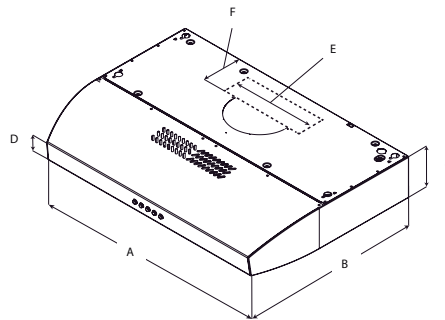
With a compact 43/4" height, Bellagio is an ideal choice where under-cabinet space is limited. An upgraded 4-speed, 430 CFM internal blower provides sufficient ventilating power for most kitchens. Bellagio also offers the luxury and convenience of halogen lighting with 2 light intensities, dishwasher-safe anodized aluminum mesh filters and multi-function electronic controls with LCD display.

Available in 30" or 36" width, Bellagio is designed for standard ducted installation, and can also be installed as a recirculating system using the Recirculating Kit, available as an accessory.

FEATURES

Size (in) & Type Finish	30" or 36" Wide Under-Cabinet Stainless Steel
Controls	Multi-function electronic with LCD display
Illumination	2, 50 Watt Halogen Lamps, 2 Light Intensities (bulbs included)
Installation Type	Ducted or Recirculating Installation Recirculating Kit Sold Separately
Blower Type	430 CFM, 4-Speed Internal
Blower Performance	Speed 1, 160 CFM, 1.4 Sones Speed 2, 240 CFM, 3.1 Sones Speed 3, 310 CFM, 4.9 Sones Speed 4, 430 CFM, 7.1 Sones
Filter Type	2, Dishwasher-Safe, Anodized Aluminum Mesh
Duct Transition	3 1/4" x 10" with Back Draft Damper (top or rear), or 7" Round (top) sold separately
Electrical	120V-60Hz 445 Watts at 3.6 Amps
Warranty	2 Year Parts & Labor, In-Home Service

LINE DRAWING



	Models	
	EAL330S1	EAL336S1
A	30" (76.2 cm)	36" (91.4 cm)
B	20" (50.8 cm)	
C	4 7/8" (12 cm)	
D	2 3/8" (5.7 cm)	
E	3 1/4" x 10" (8.3 x 25.4 cm)	
F	5 1/8" (13 cm)	

ACCESSORIES

Optional Recirculating Kit for 30" and 36" Units

CODE: KITO2178 (30")

CODE: KITO2179 (36")

Optional Stainless Steel Mesh Grease Filter

CODE: KITO2591 / (30")

CODE: KITO2592 / (36")

Optional Backdraft Damper, 7" Round

CODE: KITO2723

MODEL: EXXNRVRD

CONSUMABLE PARTS

Replacement Grease Filter (1)

CODE: GF04BA (30")

CODE: GF04BB (36")

Replacement Carbon Filter (1)

CODE: TM01FA (30")

CODE: TM01FB (36")

Replacement Light Bulb (1)

CODE: 2006BH

Consumable parts are sold in units of one (1). Order accordingly.

SPECIAL FEATURES



Elica CRS:

CFM Reduction System (CRS), is an exclusive feature to Elica hoods, which enables the installer to reduce the maximum blower CFM, to meet local code requirements.



Elica Heat Guard:

A safety feature that protects the hood and cabinetry from excessive heat, by sensing extreme temperatures (>158 degrees) and will automatically adjust the blower speed to HIGH. Blower speed will automatically adjust back once temperatures drop to a safe level.