

# BELLAGIO



UNDER-CABINET

TECHNE

## Dimensions

30"W x 20"D x 4 3/4"H  
36"W x 20"D x 4 3/4"H

## Models

EBL430S2 Bellagio 30" Stainless  
EBL436S2 Bellagio 36" Stainless

## Special features



CFM REDUCTION



HEAT GUARD



Halogen Lamps



Multi-function Electronic Controls with LCD display



Anodized Aluminum Mesh Filters



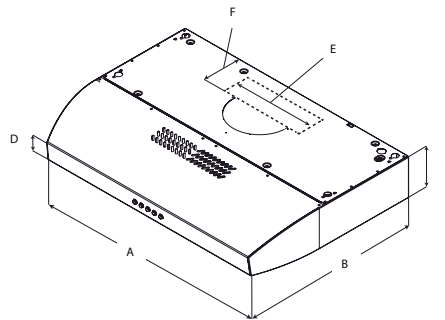
With a compact 43/4" height, Bellagio is an ideal choice where under-cabinet space is limited. An upgraded 4-speed, 430 CFM internal blower provides sufficient ventilating power for most kitchens. Bellagio also offers the luxury and convenience of halogen lighting with 2 light intensities, dishwasher-safe anodized aluminum mesh filters and multi-function electronic controls with LCD display.

Available in 30" or 36" width, Bellagio is designed for standard ducted installation, and can also be installed as a recirculating system using the Recirculating Kit, available as an accessory.

## FEATURES

<b>Size (in) &amp; Type Finish</b>	30" or 36" Wide Under-Cabinet Stainless Steel
<b>Controls</b>	Multi-function electronic with LCD display
<b>Illumination</b>	2, 50 Watt Halogen Lamps, 2 Light Intensities (bulbs included)
<b>Installation Type</b>	Ducted or Recirculating Installation Recirculating Kit Sold Separately
<b>Blower Type</b>	430 CFM, 4-Speed Internal
<b>Blower Performance</b>	Speed 1, 160 CFM, 1.4 Sones Speed 2, 240 CFM, 3.1 Sones Speed 3, 310 CFM, 4.9 Sones Speed 4, 430 CFM, 7.1 Sones
<b>Filter Type</b>	2, Dishwasher-Safe, Anodized Aluminum Mesh
<b>Duct Transition</b>	3 1/4" x 10" with Back Draft Damper (top or rear), or 7" Round (top) sold separately
<b>Electrical</b>	120V-60Hz 445 Watts at 3.6 Amps
<b>Warranty</b>	2 Year Parts & Labor, In-Home Service

## LINE DRAWING



	Models	
	EAL330S1	EAL336S1
<b>A</b>	30" (76.2 cm)	36" (91.4 cm)
<b>B</b>	20" (50.8 cm)	
<b>C</b>	4 7/8" (12 cm)	
<b>D</b>	2 3/8" (5.7 cm)	
<b>E</b>	3 1/4" x 10" (8.3 x 25.4 cm)	
<b>F</b>	5 1/8" (13 cm)	

## ACCESSORIES

### Optional Recirculating Kit for 30" and 36" Units

CODE: KIT02178 (30")

CODE: KIT02179 (36")

### Optional Stainless Steel Mesh Grease Filter

CODE: KIT02591 / (30")

CODE: KIT02592 / (36")

### Optional Backdraft Damper, 7" Round

CODE: KIT02723

MODEL: EXXNRVRD

## CONSUMABLE PARTS

### Replacement Grease Filter (1)

CODE: GF04BA (30")

CODE: GF04BB (36")

### Replacement Carbon Filter (1)

CODE: TM01FA (30")

CODE: TM01FB (36")

### Replacement Light Bulb (1)

CODE: 2006BH

Consumable parts are sold in units of one (1). Order accordingly.

## SPECIAL FEATURES



### Elica CRS:

CFM Reduction System (CRS), is an exclusive feature to Elica hoods, which enables the installer to reduce the maximum blower CFM, to meet local code requirements.



### Elica Heat Guard:

A safety feature that protects the hood and cabinetry from excessive heat, by sensing extreme temperatures (>158 degrees) and will automatically adjust the blower speed to HIGH. Blower speed will automatically adjust back once temperatures drop to a safe level.