

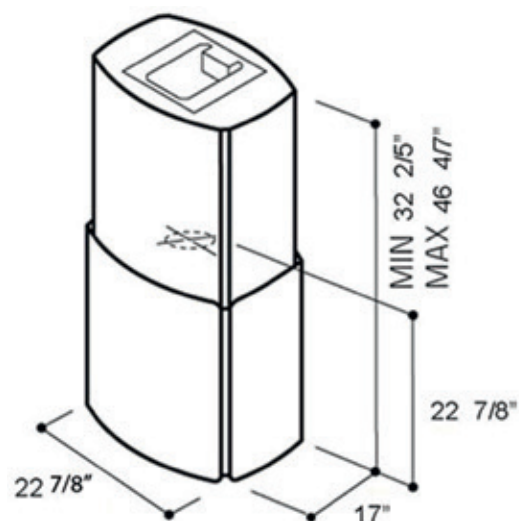


ELICA'S EXCLUSIVE PLUS FEATURES

An island hood with an elegant vertical style, Chrome's design is simple yet sophisticated, with four separate panels of polished stainless steel, forming the sides of the chimney, which convey strength and timeless grace.

Chrome with the EDS3 (Elica Deep Silence) technology, delivers the golden pleasures of silence. With only 4.8 sones at top speed, the kitchen is truly a peaceful place to pass the time... in perfect silence.

The powerful 600 CFM blower and halogen lighting are operated by a touch sensitive steel rod control, aptly named the Magic Wand. A gentle touch of the finger to the rod is all it takes, or operate from anywhere in the room with the beautifully crafted Jet black remote control.





SPECIFICATIONS

	23" UNIT
Model:	ECH623S1
Dimensions:	22 7/8"W x 17"D x 22 7/8"H
Blower Type(internal):	600 CFM (4-speed)
Blower Performance:	
Speed 1	195 CFM
Speed 2	340 CFM
Speed 3	500 CFM
Speed 4	600 CFM
Noise (sones): Working Speed	Min: 0.7, Max: 4.8 Sones
Finish:	Stainless Steel
Controls:	Magic Wand
Illumination:	2 LED Lamps, 2.0 w
Filter Type:	Dishwasher-Safe Anodized Aluminum Mesh Grease Filter
Installation Type:	Ducted or Recirculating Installation (Recirculating Kit Sold Separately)
Duct transition:	8" Round with Back Draft Damper (top)
Electrical:	120 V - 60 Hz 490 Wattage
KITS:	
Optional Recirculating Kit	KIT01916/S
Optional Jet Black Remote Control	KIT02183/1
CONSUMABLE PARTS:	
Replacement Grease Filter (1)	GF07GA
Replacement Carbon Filter (1)	KIT02311
Replacement Light Bulb (1)	LMP0158820

PLUS FEATURES



ELICA DEEP SILENCE - An exclusive sound deadening technology that utilizes a patented filter design, which substantially eliminates air turbulence and ultimately reduces sound levels by over 40%, compared to typical range hoods.