



LED LIGHT



PERIMETER ASPIRATION



LONG LIFE FILTER



TOUCH CONTROL

ELICA'S EXCLUSIVE PLUS FEATURES

Easy brilliantly glossy finish reflects the world around it like a kaleidoscope, and provides a powerful visual impact, while the modern, clean-lined definition makes it easily adaptable to a variety of styles and environments.

Many are stunned by Easy 's pendent light appearance, touch control, LED lighting and perimeter aspiration are pleased to find its decorative qualities by a high functioning range hood hidden within.

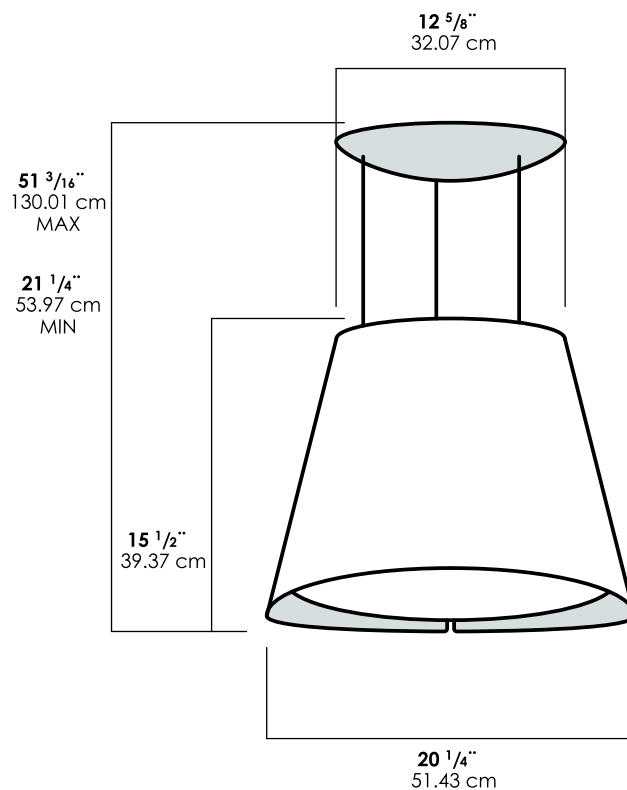


≥24"



≥30"

MOUNTING HEIGHT RANGE





SPECIFICATIONS

	20" UNIT
Model:	EES320SS
Dimensions:	EES320WT 19 3/4"W x 19 3/4"D x 16 7/8"H
Blower Type(internal):	355 CFM (4-speed)
Blower Performance:	
Speed 1	102 CFM
Speed 2	165 CFM
Speed 3	240 CFM
Speed 4	355 CFM
Noise (sones): Working Speed	Min: 1.65, Max: 5.0
Finish:	Stainless Steel
Controls:	Touch Control 3 Speed + Booster
Illumination:	3x2 LED 5W 4000K
Filter Type:	Aluminum Mesh Filter + Perimeter Aspiration
Installation Type:	Recirculating
Electrical:	120V – 15 or 20 Amp circuit required
KITS:	
Optional Wall Mounting Bracket Kit	KIT0121394
High Ceiling Extension Kit (6'10" - 23' 5")	KIT01921

\*Consumable parts are sold in units of one (1). Order accordingly

PLUS FEATURES



**LED LIGHT** - LED lighting is undoubtedly the smartest solution in terms of energy saving. Expected life time of over 20.000 hours, represents the most remarkable advantage of LED light bulbs.



**PERIMETER ASPIRATION** - First developed by Elica, this technology literally turned the market 180 degrees and opened the door to hoods that could be mounted on the wall like picture frames. The technology draws air through a narrowed channel around a face plate, which increases suction, without increasing blower speed or energy consumption.



**LONG LIFE FILTER** - One-of-a-kind odour filter, capable of regenerating itself and of lasting up to 3 years, while standard filters have an average life between 3 to 6 months. To maintain these characteristics, the filter only requires simple maintenance: wash every 2 or 3 months with hot water and mild soap (also in the dishwasher at 65 degrees) and dry in the oven for 10 minutes at 100 degrees.



**ELECTRONIC TOUCH CONTROLS** - Enjoy the modern design and convenience of multi-function electronic touch controls, which are discreetly hidden behind sleek black glass, and will illuminate a soft blue when activated.