

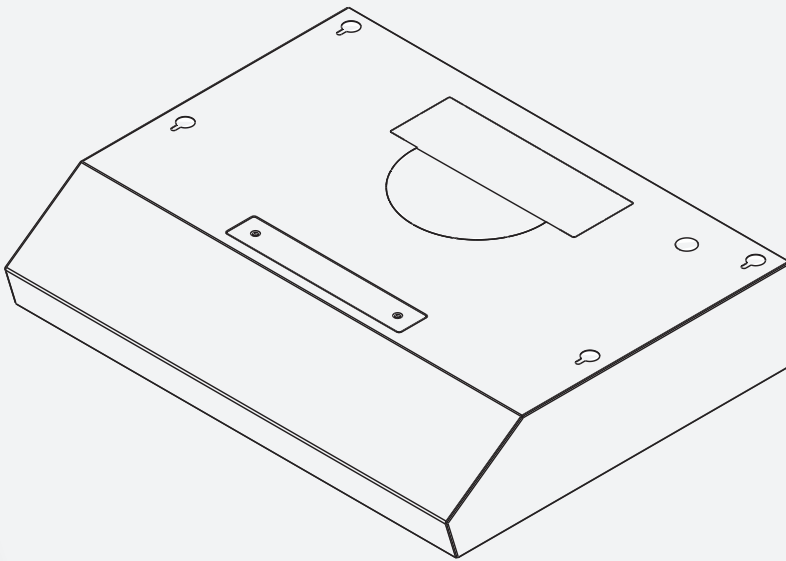
# Use, Care, and Installation Guide

---

Guide  
d'utilisation,  
d'entretien et  
d'installation

---

Guía de  
instalación, uso y  
mantenimiento



READ AND SAVE THESE  
INSTRUCTIONS

---

LISEZ CES  
INSTRUCTIONS ET  
CONSERVEZ-LES

---

LEA Y CONSERVE  
ESTAS INSTRUCCIONES

**MODELS:** | EGB224SS

LIB0175565  
PRINTED IN MEXICO

**Contents**

Important Safety Notice..... 3  
    Electrical & Installation Requirements ..... 4  
    Before Installing the Hood..... 4  
Dimensions and Clearances ..... 4  
List of Materials ..... 5  
    Parts Supplied ..... 5  
    Parts Not Supplied..... 5  
Ducting Options ..... 5  
    Ductless (Recirculating) ..... 5  
    Horizontal Discharge ..... 5  
    Vertical Discharge..... 6  
Prepare the Location ..... 6  
Installation - Ducting Version ..... 7  
    Electrical Connection..... 11  
    Complete Installation..... 11  
Description of the Hood..... 12  
    Control..... 12  
Range Hood Care..... 12  
WARRANTY ..... 14

**APPROVED FOR RESIDENTIAL APPLIANCES  
FOR RESIDENTIAL USE ONLY  
READ AND SAVE THESE INSTRUCTIONS**

**PLEASE READ ENTIRE INSTRUCTIONS BEFORE PROCEEDING.  
INSTALLATION MUST COMPLY WITH ALL LOCAL CODES.**

**IMPORTANT:** Save these Instructions for the Local Electrical Inspector’s use.

**INSTALLER:** Please leave these Instructions with this unit for the owner.

**OWNER:** Please retain these instructions for future reference.

**Safety Warning:** Turn off power circuit at service panel and lock out panel, before wiring this appliance.

**Requirement:** 120 V AC, 60 Hz. 15 or 20 A Branch Circuit.

## ⚠ Important Safety Notice

### ⚠ CAUTION

FOR GENERAL VENTILATING USE ONLY. DO NOT USE TO EXHAUST HAZARDOUS OR EXPLOSIVE MATERIALS OR VAPOURS.

### ⚠ WARNING

TO REDUCE THE RISK OF FIRE, ELECTRIC SHOCK, OR INJURY TO PERSONS, OBSERVE THE FOLLOWING:

- A. Use this unit only in the manner intended by the manufacturer. If you have questions, contact the manufacturer.
- B. Before servicing or cleaning the unit, switch power off at service panel and lock service panel disconnecting means to prevent power from being switched on accidentally. When the service disconnecting means cannot be locked, securely fasten a prominent warning device, such as a tag, to the service panel.
- C. Installation work and electrical wiring must be done by qualified person(s) in accordance with all applicable codes & standards, including fire-rated construction.
- D. Sufficient air is needed for proper combustion and exhausting of gases through the flue (Chimney) of fuel burning equipment to prevent back-drafting. Follow the heating equipment manufacturers guideline and safety standards such as those published by the national fire protection association (NFPA), the american society for heating, refrigeration and air conditioning engineers (ASHRAE), and the local code authorities.
- E. When cutting or drilling into wall or ceiling, do not damage electrical wiring and other hidden utilities.
- F. Ducted systems must always be vented to the outdoors.

### ⚠ CAUTION

To reduce risk of fire and to properly exhaust air, be sure to duct air outside - do not vent exhaust air into spaces within walls, ceilings, attics, crawl spaces, or garages.

### ⚠ WARNING

TO REDUCE THE RISK OF FIRE, USE ONLY METAL DUCT WORK.

Install this hood in accordance with all requirements specified.

### ⚠ WARNING

To reduce the risk of fire or electric shock, do not use this hood with any external solid state speed control device.

### ⚠ WARNING

TO REDUCE THE RISK OF A RANGE TOP GREASE FIRE.

- a) Never leave surface units unattended at high settings. Boilovers cause smoking and greasy spillovers that may ignite. Heat oils slowly on low or medium settings.
- b) Always turn hood ON when cooking at high heat or when flambeing food (I.e. Crepes Suzette, Cherries Jubilee, Peppercorn Beef Flambe').
- c) Clean ventilating fans frequently. Grease should not be allowed to accumulate on fan or filter.
- d) Use proper pan size. Always use cookware appropriate for the size of the surface element.

### ⚠ WARNING

TO REDUCE THE RISK OF INJURY TO PERSONS, IN THE EVENT OF A RANGE TOP GREASE FIRE, OBSERVE THE FOLLOWING:

- a) SMOTHER FLAMES with a close-fitting lid, cookie sheet, or other metal tray, then turn off the gas burner or the electric element. BE CAREFUL TO PREVENT BURNS. If the flames do not go out immediately, EVACUATE AND CALL THE FIRE DEPARTMENT.
- b) NEVER PICK UP A FLAMING PAN - you may be burned.
- c) DO NOT USE WATER, including wet dishcloths or towels - a violent steam explosion will result.
- d) Use an extinguisher ONLY if:
  - 1) You know you have a class ABC extinguisher, and you already know how to operate it.
  - 2) The fire is small and contained in the area where it started.
  - 3) The fire department is being called.
  - 4) You can fight the fire with your back to an exit.
- e) Ducted fans must always be vented to the outdoor.

<sup>a</sup>Based on "Kitchen Fire Safety Tips" published by NFPA.

**IMPORTANT**

Observe all governing codes and ordinances.

It is the customer's responsibility:

- To contact a qualified electrical installer.
- To assure that the electrical installation is adequate and in conformance with National Electrical Code, ANSI/NFPA 70 — latest edition\*, or CSA Standards C22.1-94, Canadian Electrical Code, Part 1 and C22.2 No.0-M91-latest edition\*\* and all local codes and ordinances.
- If codes permit and a separate ground wire is used, it is recommended that a qualified electrician determine that the ground path is adequate.
- Do not ground to a gas pipe.
- Check with a qualified electrician if you are not sure range hood is properly grounded.
- Do not have a fuse in the neutral or ground circuit.

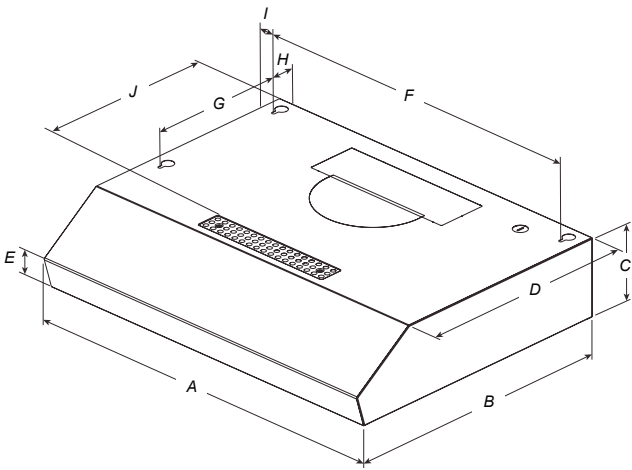
**IMPORTANT**

- Save Installation Instructions for electrical inspector's use.
- The range hood must be connected with copper wire only.
- The range hood should be connected directly to the fused disconnect (Or circuit breaker) box through metal electrical conduit.
- Wire sizes must conform to the requirements of the National Electrical Code ANSI/NFPA 70 — latest edition\*, or CSA Standards C22.1-94, Canadian Electrical Code Part 1 and C22.2 No. 0-M91 - latest edition\*\* and all local codes and ordinances.
- A U.L.- or C.S.A.-listed conduit connector must be provided at each end of the power supply conduit (at the range hood and at the junction box).

Copies of the standards listed may be obtained from:  
 \* National Fire Protection Association Batterymarch Park Quincy, Massachusetts 02269  
 \*\* CSA International 8501 East Pleasant Valley Road Cleveland, Ohio 44131-5575

- 1 For the most efficient air flow exhaust, use a straight run or as few elbows as possible.  
 CAUTION: Vent unit to outside of building, only.
- 2 At least two people are necessary for installation.
- 3 Fittings material is provided to secure the hood to most types of walls/ceilings, consult a Qualified Installer, check if they perfectly fit with your cabinet/wall.
- 4 Do not use flex ducting.
- 5 COLD WEATHER installations should have an additional backdraft damper installed to minimize backward cold air flow and a nonmetallic thermal break to minimize conduction of outside temperatures as part of the ductwork. The damper should be on the cold air side of the thermal break.  
 The break should be as close as possible to where the ducting enters the heated portion of the house.
- 6 Make up air: Local building codes may require the use of Make-Up Air Systems when using Ducted Ventilation Systems greater than specified CFM of air movement. The specified CFM varies from locale to locale. Consult your HVAC professional for specific requirements in your area.

Dimensions and Clearances



EGB224SS	
A	24" (61 cm)
B	18 <sup>7</sup> / <sub>8</sub> " (48 cm)
C	4 <sup>15</sup> / <sub>16</sub> " (12.5 cm)
D	14 <sup>1</sup> / <sub>2</sub> " (36.7 cm)
E	2" (5.2 cm)
F	22 <sup>1</sup> / <sub>4</sub> " (56.3 cm)
G	9 <sup>5</sup> / <sub>8</sub> " (24.5 cm)
H	1 <sup>1</sup> / <sub>2</sub> " (3.8 cm)
I	1" (2.3 cm)
J	12 <sup>1</sup> / <sub>4</sub> " (31.1 cm)

## List of Materials


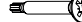




Removing the packaging.

### ⚠ CAUTION

Remove carton carefully, Wear gloves to protect against sharp edges.

### ⚠ WARNING

Remove the protective film covering the product before putting into operation.

Parts Supplied			
Supplied Part	Pieces	Supplied Part	Pieces
 3.5 x 9.5 mm	2	 Torx® T10 adapter	1
 5 x 45 mm	2	 4.5x13 mm	4
 8 x 45 mm	2	 3¼" x 10" (8.3 x 25.4 cm) rectangular damper	1

### Optional accessories and consumable parts

KIT	# Part
<b>Recirculating Kit</b>	KIT0140997
<b>No return valve 7"</b>	KIT02723
<b>Duct Transition 7"</b>	KIT02722

### Parts Not Supplied

#### Tools/Materials required

- Level
- Drill with ⅛" (3 mm), ½" (13 mm) and ¼" (30 mm) drill bits
- Pencil
- Wire stripper or utility knife
- Tape measure or ruler
- Pliers
- Caulking gun and weatherproof caulking compound
- Saber or keyhole saw
- Metal snips
- Screwdrivers:
  - #2 Phillips
  - Flat - blade

#### Parts needed

- Home power supply cable
- ½" (12.7 mm) UL listed or CSA approved strain relief
- 3 UL listed wire connectors

#### For 7" (17.8 cm) round vented installations

- 7" (17.8 cm) round metal vent system with wall or roof cap
- Vent clamps

#### For 3¼" x 10" (8.3 x 25.4 cm) rectangular vented installations

- 3¼" x 10" (8.3 x 25.4 cm) rectangular metal vent system with wall or roof cap.

## Ducting Options

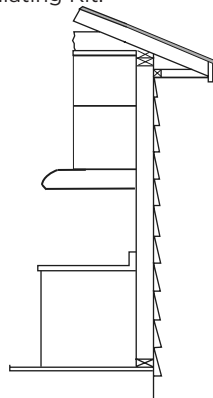
Closely follow the instructions set out in this manual.

All responsibility, for any eventual inconveniences, damages or fires caused by not complying with the instructions in this manual, is declined.

### Ductless (Recirculating)

#### NOTE:

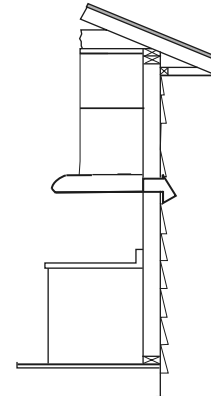
In cases where it should not be possible to discharge cooking fumes and vapour to the outside, purchase: The Ductless Recirculating Kit.



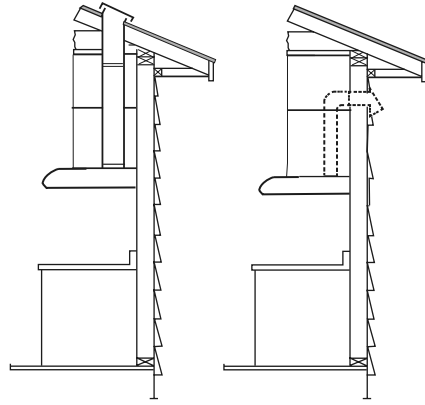
### Horizontal Discharge

Use a rectangular duct

3¼" x 10" for discharge of fumes to the outside.



Use a rectangular duct 3¼" x 10" or use a 7" (17.8 cm) round transition for discharge of fumes to the outside.



**Preparation**

Do not cut a joist or stud unless absolutely necessary. If a joist or stud must be cut, then a supporting frame must be constructed.

Fittings material is provided to secure the hood to most types of walls/ceilings.

However, a qualified technician must verify suitability of the materials in accordance with the type of wall/ceiling.

Before making cutouts, make sure there is proper clearance within the ceiling or wall for exhaust vent.

**Recommended installation height:**

Hood installation height above cooktop is the users preference. The lower the hood is above the cooktop, the more efficient the capturing of cooking odors, grease and smoke.

**⚠ CAUTION**

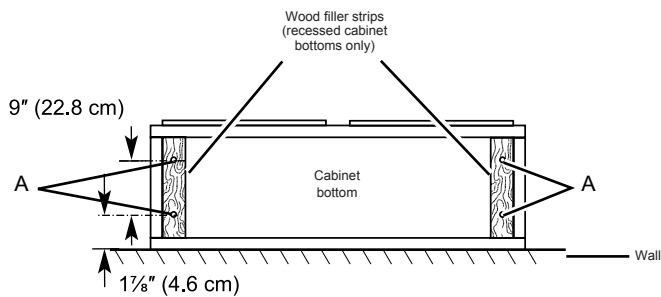
THAT THE BOTTOM EDGE IS AT 30" (76.2 CM) ABOVE THE COOKING SURFACE.

FOR ELECTRIC RANGES INSTALLATION: MOUNT THIS HOOD SO THAT THE BOTTOM IS NOT LESS THAN 24" (61 CM) AND NOT MORE THAT 30" (76.2 CM) ABOVE THE COOKING SURFACE.

HOUSEHOLD USE. PLEASE, READ INSTALLATION MANUAL FOR SPECIFIC APPLICATION.

Check your ceiling height and the hood height maximum before you select your hood.

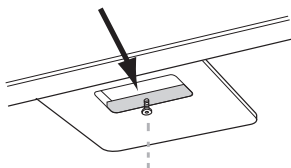
**Prepare the Location**



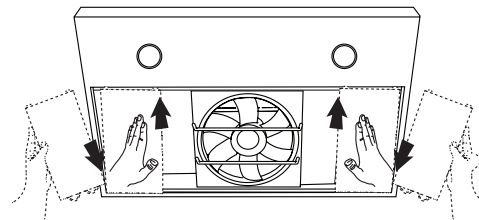
1. If cabinet has recessed bottom, add wood filler strips on each side. Install 4 flat head wood screws with washers and nuts to attach filler strips in locations shown.

**NOTE:** For installations to a surface other than drywall, it is recommended that a qualified contractor determine the anchoring method.

2. Remove the grease filter by pulling the filter latch toward the back of the range hood and using a Torx T10 adapter, remove the screw from the filter retainer.

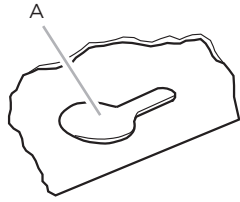


3. Remove the lateral panels by pulling them horizontally to the back of the hood and then release the brackets on the front.



4. Using 2 or more people, lift the range hood up under cabinet and determine final location by centering beneath cabinet. Mark on the underside of cabinet the location of the 4 keyhole mounting slots on the range hood (A)

**NOTE:** Mark the thin area of the slot. On the back wall mark the holes for the security screws (B). Set range hood aside on a covered surface.



A. Keyhole slot

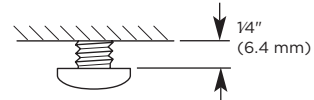
- Use 1/8" (3 mm) drill bit and drill 4 pilot holes.

**NOTE:** Make the drill holes on the thin area of the slot.

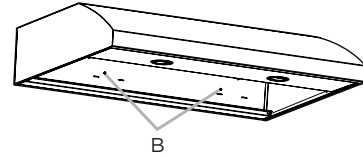


A. Drill pilot hole

- Install the 4 - .45 cm x 1.3 cm mounting screws in pilot holes. Leave about 1/4" (6.4 mm) space between screw heads and cabinet to slide range hood into place

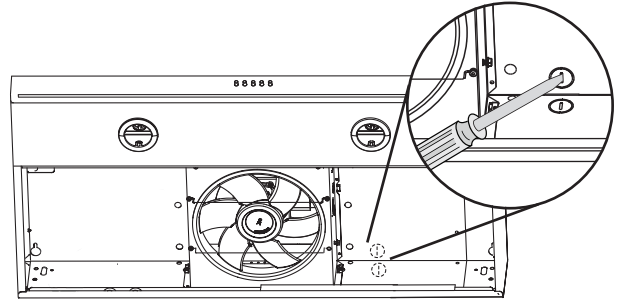


- Use 3/25" (8mm) drill bit and drill 2 pilot holes in the marks for the security screws, then place the drywall anchors.



### Prepare Range Hood

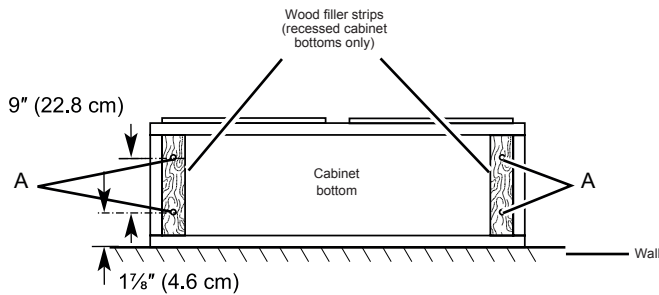
- Set the range hood on its back on a covered surface.



- Using a flat head screwdriver, remove the appropriate power supply knockout.

## Installation - Ducting Version

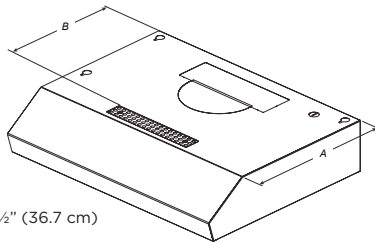
### Prepare the location



- If cabinet has recessed bottom, add wood filler strips on each side. Install 4 flat head wood screws with washers and nuts to attach filler strips in locations shown.

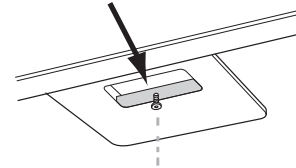
**NOTE:** For installations to a surface other than drywall, it is recommended that a qualified contractor determine the anchoring method.

**NOTE:** Consider use the *A* measure for 7" (17.8 cm) round transition and *B* measure for 3 3/4" x 10" (8.3 x 25.4 cm) rectangular metal vent system.

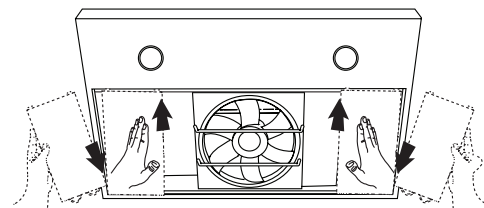


A. 14 1/2" (36.7 cm)  
B.

- Remove the grease filter by pulling the filter latch toward the back of the range hood and using a Torx T10 adapter, remove the screw from the filter retainer.

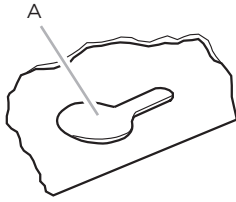


- Remove the lateral panels by pulling them horizontally to the back of the hood and then release the brackets on the front.



- Using 2 or more people, lift the range hood up under cabinet and determine final location by centering beneath cabinet. Mark on the underside of cabinet the location of the 4 keyhole mounting slots on the range hood (A)

**NOTE:** Mark the thin area of the slot. On the back wall mark the holes for the security screws (B). Set range hood aside on a covered surface.



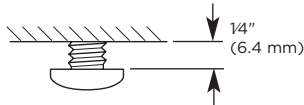
A. Keyhole slot

- 5 Use 1/8" (3 mm) drill bit and drill 4 pilot holes.  
**NOTE:** Make the drill holes on the thin area of the slot.

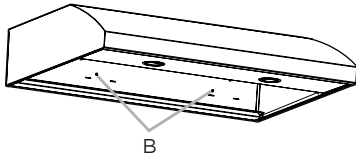


A. Drill pilot hole

- 6 Install the 4 - .45 cm x 1.3 cm mounting screws in pilot holes. Leave about 1/4" (6.4 mm) space between screw heads and cabinet to slide range hood into place

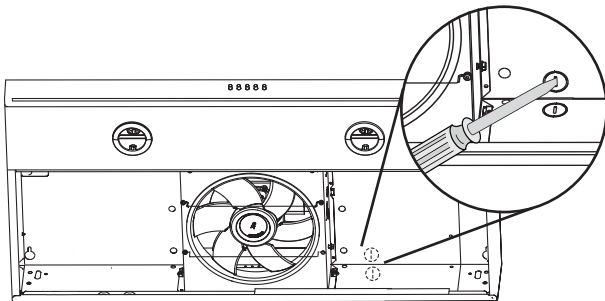


- 7 Use 9/25" (8mm) drill bit and drill 2 pilot holes in the marks for the security screws, then place the drywall anchors.



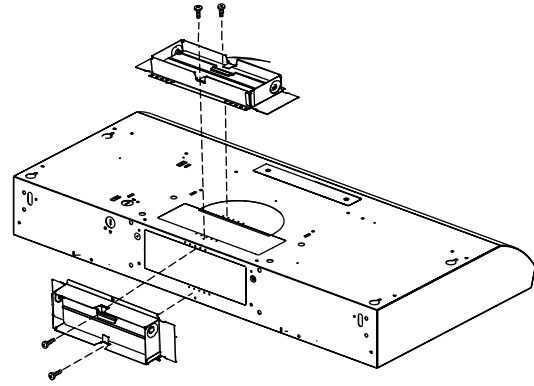
**Prepare Range Hood**

- 1 Set the range hood on its back on a covered surface.



- 2 Using a flat head screwdriver, remove the appropriate power supply knockout.

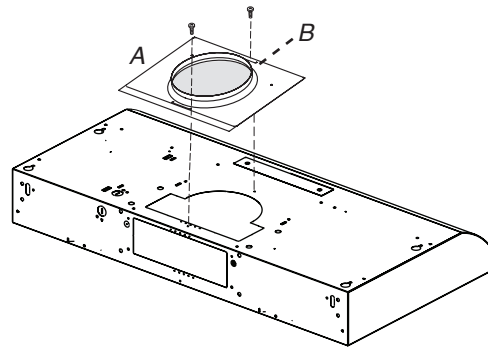
**Attach Vent Damper or Transition**  
**3 1/4" x 10" (8.3 x 25.4 cm) Rectangular Vent Damper**



- 1 Using (2) short Phillips head screws, install the 3 1/4" x 10" (8.3 x 25.4 cm) rectangular damper over the top or rear vent knockout removed in previous step.

**NOTE:** If the wall cap used has a damper and it interferes with the rectangular damper, remove the rectangular damper flap.

**7" (17.8 cm) Round Vent Mounting Plate**

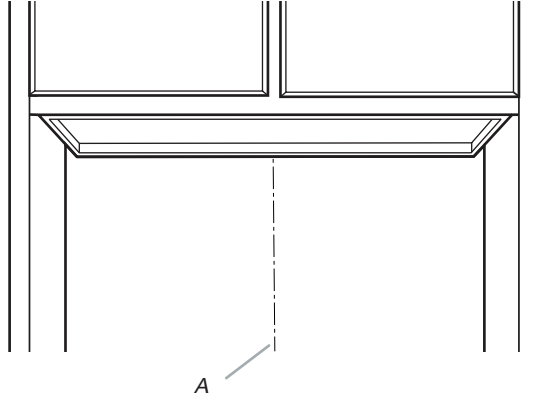


- 1 Using (2) short Phillips head screws, install the 7" (17.8 cm) round vent mounting plate (A) over the vent knockouts removed in previous step. Position the wide flange (B) to the front.  
 If installing the optional round damper, position it over the round vent mounting plate.



## Mark Hole Locations

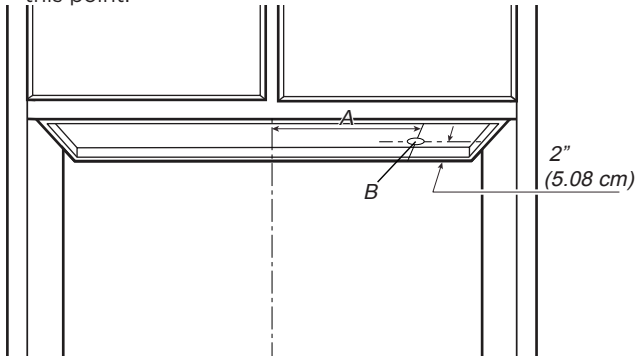
- 1 Determine and clearly mark a vertical centerline (A) on the wall and cabinet bottom.



A. Centerline

## To wire through top:

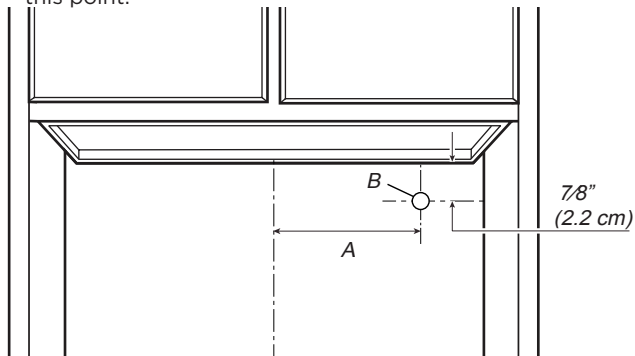
- 1 Mark a line distance (A) from the right of the centerline on the underside of the cabinet. Mark the point on this line that is 2" (5.08 cm) from the rear wall. Drill a  $\frac{7}{8}$ " (2.2 cm) diameter hole (B) through the underside of the cabinet at this point.



A. 8  $\frac{7}{8}$ " (21.3cm)

## To wire through wall:

- 1 Mark a line distance (A) from the right of the centerline on the underside of the cabinet. Mark the point on this line that is  $\frac{7}{8}$ " (2.2 cm) from the underside of the cabinet. Drill a  $\frac{7}{8}$ " (2.2 cm) diameter hole (B) through the rear wall at this point.



A. 8  $\frac{7}{8}$ " (21.3cm)

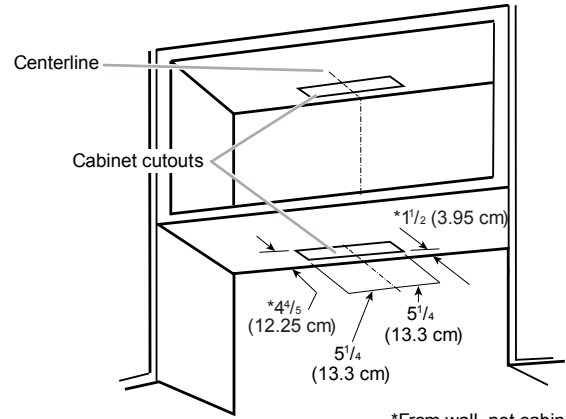
## Mark and Cut Vent Opening

For a non-vented (recirculating) installation: skip "Mark and Cut Vent Opening" step.

## For 3 $\frac{1}{4}$ " x 10" (8.3 x 25.4 cm) Rectangular Vent System Roof Venting

To make a 4" x 10 $\frac{1}{2}$ " (10.16 cm x 26.7 cm) rectangular cutout on the underside of cabinet top and bottom:

- 1 Mark lines  $\frac{1}{2}$ " (3.95 cm) and  $\frac{4}{8}$ " (12.25 cm) from the back wall on the centerline of the underside of cabinet. Mark lines  $\frac{5}{4}$ " (13.3 cm) to the right and left of the centerline on the underside of cabinet.

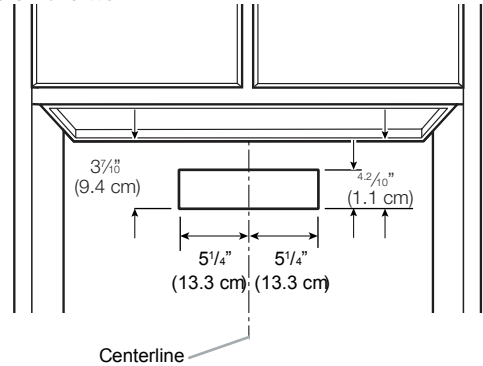


- 2 Use saber or keyhole saw to cut a rectangular opening for vent.
- 3 Repeat steps 1-3 for the underside of the top of the cabinet.

## Wall Venting

To make a 3 $\frac{1}{2}$ " x 10 $\frac{1}{2}$ " (8.9 cm x 26.7 cm) rectangle in the wall:

- 1 Make 2 lines by measuring  $\frac{4}{20}$ " (1.1 cm) and  $\frac{3}{10}$ " (9.4 cm) down from underside of cabinet and mark on the centerline on the back wall.
- 2 Mark lines  $\frac{5}{4}$ " (13.3 cm) to the right and left of the centerline on the wall.

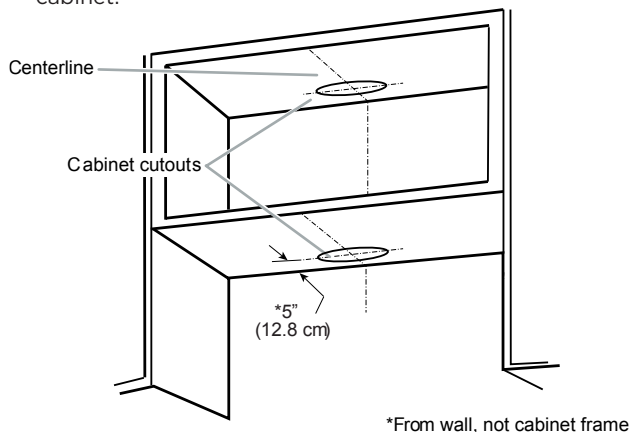


- 3 Use saber or keyhole saw to cut a rectangular opening in the wall for the vent.

### For 7" (17.8 cm) Round Vent System (Roof Venting)

To make a circular vent opening on the underside of the cabinet top:

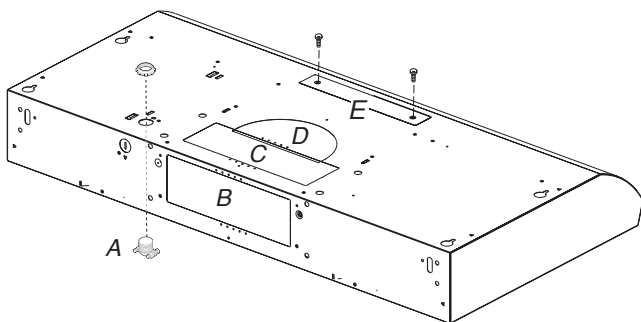
- 1 Mark a centerline on the underside of the top of cabinet.
- 2 Mark a line 5" (12.8 cm) from the back wall on the underside of the top of cabinet.
- 3 Use a compass or a circle template to draw a circle with a diameter of 7½" (19 cm).
- 4 Use saber or keyhole saw to cut the circular vent opening. Repeat steps 1-3 for the underside of the top of the cabinet.



### Drill Electrical Opening

- 1 Using a 1¼" (3 cm) drill bit, drill the hole in the dot marked previously at the electrical strain relief.

### Prepare Range Hood Vents



### Install Strain Relief

- 1 Install a UL listed/CSA approved ½" (13 mm) strain relief (A).

### For non-vented (Recirculating) Installations

- Remove the (2) T10 Torx® screws and remove the top, front rectangular vent cover (E). Go to "Electrical Connection" step.

### For ¾" x 10" (8.3 x 25.4 cm) Rectangular Vent Installations

- For top vent installations, remove the top rectangular vent knockout (C).

OR

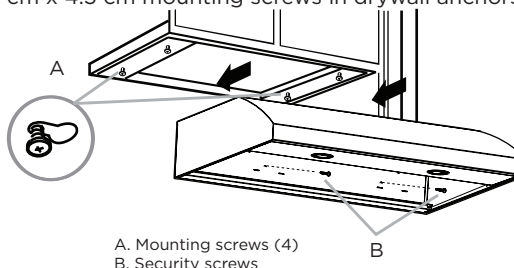
- For wall vent installations, remove the rear rectangular vent knockout (B).

### For 7" (17.8 cm) Round Vent Installations

- Remove both top knockouts (C and D).

### Mounting the Hood

- 1 Using 2 or more people, lift the hood into final position. Feed enough electrical wire through the ½" UL listed or CSA approved strain relief to make connections in the terminal box. Tighten the strain relief screws.
- 2 Position the range hood so that the large end of the keyhole slots are over the mounting screws. Then push the hood toward the wall so that the screws are in the neck of the slots. Install the .5 cm x 4.5 cm mounting screws in drywall anchors.



- 3 Tighten the mounting screws, making sure the screws are in the narrow neck of slots.
- 4 Tighten the security screws to the wall.
- 5 For direct wire installations, run the home power supply cable according to the National Electric Code or CSA standards and local codes and ordinances. There must be enough wiring from the fused disconnect (or circuit breaker) box to make the connection in the range hood electrical terminal box.

**NOTE:** Do not reconnect power until the installation is complete.

**OPTIONAL:** If you prefer, bend the rear tabs against the rear of the range hood and attach to the wall using #8-18 x 5/8" (4.2 x 16 mm) truss-head screws.

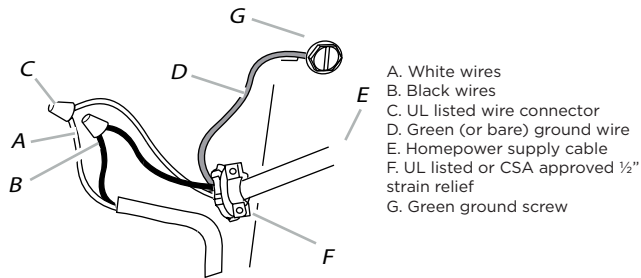
### Connect Vent System

- 1 Connect the vent work to the range hood.
- 2 Seal joints with vent clamps or duct tape to make secure and airtight.
- 3 Check that the backdraft dampers work properly.

## Electrical Connection

### ⚠ WARNING

ELECTRICAL SHOCK HAZARD. DISCONNECT POWER BEFORE SERVICING. REPLACE ALL PARTS AND PANELS BEFORE OPERATING. FAILURE TO DO SO CAN RESULT IN DEATH OR ELECTRICAL SHOCK.



- 1 Remove the knockout and the Junction box cover, and then install the conduit connector (cULus listed) in the junction box.
- 2 Run 3 wires - black, white, and green - according to the National Electrical Code and local codes and ordinances, in 1/2" conduit from the service panel to the junction box.

### ⚠ WARNING

ELECTRICALLY GROUND THE BLOWER. CONNECT THE GROUND WIRE TO THE GREEN AND YELLOW GROUND WIRES IN THE TERMINAL BOX. FAILURE TO DO SO CAN RESULT IN DEATH OR ELECTRICAL SHOCK.

- 3 Connect the black wire from the service panel to the black or the red in the junction box. Connect the white to white and green to green-yellow.
- 4 Close and secure the junction box cover.

## Complete Installation

- 1 Replace the filters and check the operation of the hood.
- 2 Replace the filter.
  - **For vented installations:** Install a metal filter.
  - **For non-vented (recirculating) installations:** Install a charcoal filter.

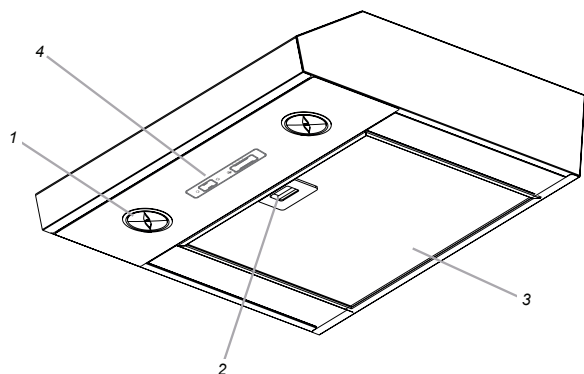
### If the range hood does not operate:

- Confirm that the circuit breaker is not tripped or the house fuse blown.
- Disconnect the power supply, and then check if the wiring is correct.

To get the most efficient use from your new range hood, read the "Use and Care Information" section.

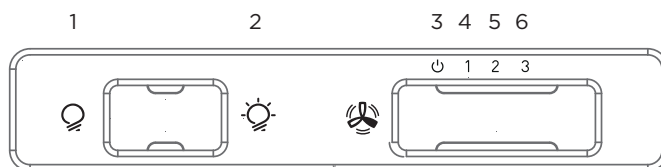
Keep your Installation Instructions and Use and Care Guide close to range hood for easy reference.

## Description of the Hood



1. Blower and light controls
2. LED lamps
3. Grease filter handle
4. Grease filter

### Control



- a) Light On
- b) Light Off
- c) Blower On
- d) Blower speed minimum button
- e) Blower speed medium button
- f) Blower speed maximum button

#### Operating the light

Move the light switch to turn on and off the light.

#### Operating the blower

Move the motor switch to position 1, 2 or 3 depending on the desired speed.

## Range Hood Care

### Cleaning

Do not spray cleaners directly to the control while cleaning the Hood. The cooker hood should be cleaned regularly (at least with the same frequency with which you carry out maintenance of the fat filters) internally and externally. Clean using the cloth dampened with neutral liquid detergent. Do not use abrasive products. DO NOT USE ALCOHOL!

### ⚠ WARNING:

Failure to carry out the basic cleaning recommendations of the cooker hood and replacement of the filters may cause fire risks.

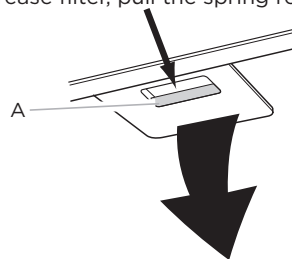
Therefore, we recommend observing these instructions. The manufacturer declines all responsibility for any damage to the motor or any fire damage linked to inappropriate maintenance or failure to observe the above safety recommendations.

### Grease Filter

Traps cooking grease particles.

This must be cleaned once a month using non aggressive detergents, either by hand or in the dishwasher, which must be set to a low temperature and a short cycle. When washed in a dishwasher, the grease filter may discolour slightly, but this does not affect its filtering capacity.

To remove the grease filter, pull the spring release handle.



### Replacing a LED Lamp

The LED lights are replaceable by a service technician only. See the service contact information in this page below.

### Charcoal Filter

If the model is not vented to the outside, the air will be recirculated through disposable charcoal filters that help remove smoke and odors.

The charcoal filters cannot be cleaned.

They must be replaced.

The charcoal filters are clipped inside of each metal grease filter (mounting instructions included with charcoal filters kit).

The charcoal filters should be replaced every 4-6 months (depending on hood usage).

**NOTE:** DO NOT rinse, or put charcoal filters in an automatic dishwasher.

**NOTE:** Charcoal filters are not included with the hood. They must be ordered from your supplier.

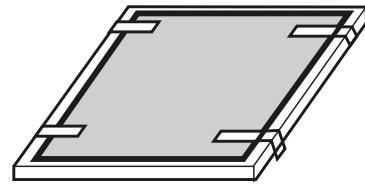
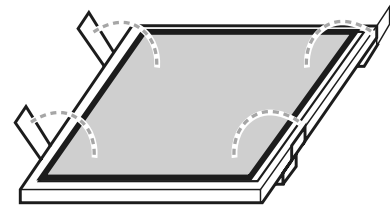
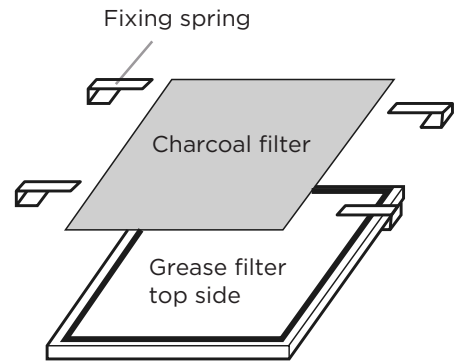
Order the needed kit specifying your hood model and width size.

### Charcoal filter placement (Recirculating accessories)

Fit the charcoal filter mattress on the upper side of each grease filter.

Use provided springs to fix it in place.

**NOTE:** When removing for replacing for a new one do not remove Fixing Springs, simply pull out one and rotate outwards.



# ELICA North America

## TWO-YEAR LIMITED WARRANTY

Register your product in

**elica.com**

and earn a 3<sup>rd</sup> year of factory warranty, covering all parts plus in-home labor.

### TO OBTAIN SERVICE UNDER WARRANTY

Owner must present proof of original purchase date. Please keep a copy of your dated proof of purchase (sales slip) in order to obtain service under warranty.

### PARTS AND SERVICE WARRANTY

For the period of two (2) years from the date of the original purchase, Elica will provide free of charge, non consumable parts or components that failed due to manufacturing defects. During these two (2) years limited warranty, Elica will also provide free of charge, all labor and in-home service to replace any defective parts.

### WHAT IS NOT COVERED

- Damage or failure to the product caused by accident or act of God, such as, flood, fire or earthquake.
- Damage or failure caused by modification of the product or use of non-genuine parts.
- Damage or failure to the product caused during delivery, handling or installation.
- Damage or failure to the product caused by operator abuse.
- Damage or failure to the product caused by dwelling fuse replacement or resetting of circuit breakers.
- Damage or failure caused by use of product in a commercial application.
- Service trips to dwelling to provide use or installation guidance.
- Light bulbs, metal or carbon filters and any other consumable part.
- Normal wear of finish.
- Wear to finish due to operator abuse, improper maintenance, use of corrosive or abrasive cleaning products/pads and oven cleaner products.

### WHO IS COVERED

This warranty is extended to the original purchaser for products purchased for ordinary residential use in North America (Including the United States, Guam, Puerto Rico, US Virgin Islands & Canada).

This warranty is non-transferable and applies only to the original purchaser and does not extend to subsequent owners of the product. This warranty is made expressly in lieu of all other warranties, expressed or implied, including, but not limited to any implied warranty of merchantability or fitness for a particular purpose and all other obligations on the part of Elica North America, provided, however, that if the disclaimer of implied warranties is ineffective under applicable law, the duration of any implied warranty arising by operation of law shall be limited to two (2) years from the date of original purchase at retail or such longer period as may be required by applicable law.

This warranty does not cover any special, incidental and/or consequential damages, nor loss of profits, suffered by the original purchaser, its customers and/or the users of the Products.

### WHO TO CONTACT

To obtain service under warranty or for any service related question:

- Elica North America Service, call at 1 888 732 8018
- For Eastern Canada, call AGI Services at 1 888 651 2534 Ask for the service department
- [elica@servicepower.com](mailto:elica@servicepower.com)