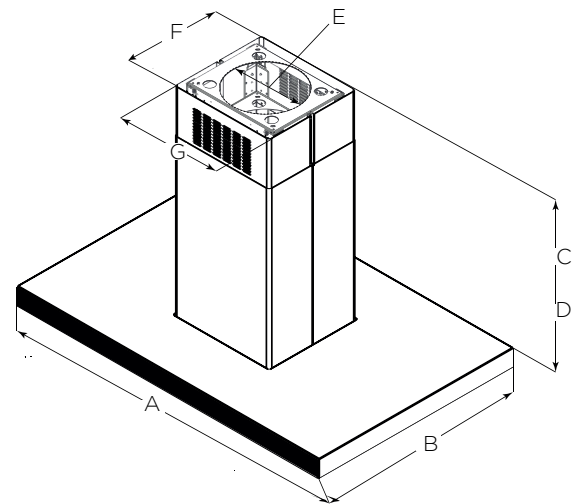




ELICA'S EXCLUSIVE PLUS FEATURES

With a minimalist design but a strong stainless steel construction, Maggiore is in tune with avant-garde appliances where clear and architectural lines take precedence. Maggiore has a powerful 600 CFM blower, LED dimmable lights, stainless steel microhole filters and high-tech glass touch controls that deliver convenience and safety. Maggiore was designed for standard ducted installation, but with also can be installed using the Recirculating Kit, available as an accessory.



	EMG636S1	EMG642S1
A	36" (91.4 cm)	42" (106.7cm)
B	27 1/8" (68.9 cm)	
C*	Min: 29 13/16 (75.72cm) Max: 50 1/8 (127.32cm)	
D**	Min: 45" (114.5 cm) Max: 50 1/8 (127.32 cm)	
E	6" (15.9 cm)	
F	12" (30.4cm)	
G	13" (33.24cm)	

* Ductless (Recirculating) version
** Ducted version

SPECIFICATIONS

	36" Unit	42" Unit
Model:	EMG636S1	EMG642S1
Dimensions:	36" W x 19 11/16" D x 1 9/16" H	42" W x 19 11/16" D x 1 9/16" H
Blower Type(internal):	600 CFM(4-speed)	
Blower Performance:		
Speed 1	160 CFM	
Speed 2	280 CFM	
Speed 3	470 CFM	
Speed 4	600 CFM	
Noise (sones):	Min: 1.73, Max: 6	
Woking Speed		
Finish:	Stainless Steel with black glass	
Controls:	Touch Control 3 Speeds + Booster	
Illumination:	4 LED Premium Dimmable Lights, 2.5 w	
Filter Type:	3 Dishwasher - Safe, Stainless Steel Microhole Filter	
Electrical:	120V - 60 Hz 426.2 Watts at 3.55 Amps	
Installation Type:	Ducted or Recirculating with Recirculating Kit (sold separately)	
Duct Transition:	Top Round 6"	
KITS:		
Recirculating Kit (Contains 6" deflector & 2 Round Carbon Filters)	KIT02665	
Chimney Extension Kit:	KIT0100317 (Ducted 8'9" - 12'8" / Recirculating 9'2" - 12'9")	
CONSUMABLE PARTS:		
Charcoal Filter Replacement:	KIT0141918	
Grease Filter Replacement:	GF04YB	
Consumable parts are sold in units of one (1). Order accordingly		
INSTALL HEIGHTS:		
Ranger Hood:	Ducted - Min: 7'6", Max: 9'9" Recirculating - Min: 7'6", Max: 10'2"	
Ranger Hood with extension duct covers:	Ducted - Min: 8'9", Max: 12'8" Recirculating - Min: 9'2", Max: 12'9"	

PLUS FEATURES



CFM REDUCTION - CFM Reduction System (CRS), is an exclusive feature to Elica hoods, which enables the user directly in the glass touch control the maximum blower CFM, to meet local code requirements.



DIM LIGHT - The Dimmer allows you to adjust the brightness of the light as you wish. With Elica, lighting is customized in a discreet, personal and practical way, in order to contribute in creating the perfect kitchen atmosphere.



TOUCH CONTROLS - Enjoy effortless cooking and fully control each cooking zone with the tip of a single finger.



HUSH SYSTEM - An exclusive sound deadening technology that effectively reduces sound levels by over 35%



TOP PERFORMANCE - Excellent performance for models equipped with this plus. High fume capturing capacity with an average aspiration range of 600 CFM's and a noise level between 60-65 db (A) at maximum speed (reference point varies based on the hood category).



LED LIGHT - LED lighting is undoubtedly the smartest solution in terms of energy saving. Expected life time of over 20,000 hours.