

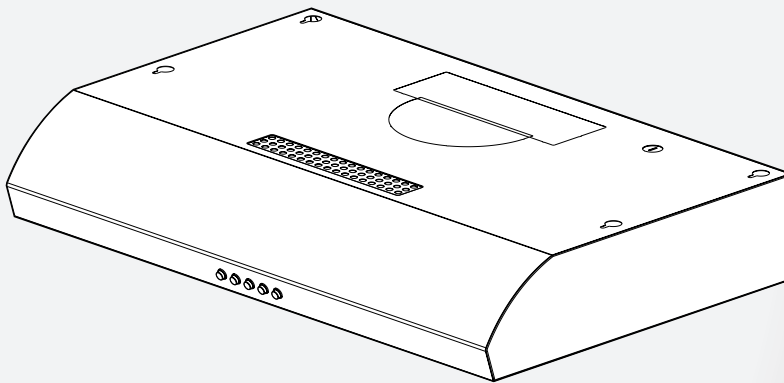
# Use, Care, and Installation Guide

---

Guide  
d'utilisation,  
d'entretien et  
d'installation

---

Guía de  
instalación, uso y  
mantenimiento



READ AND SAVE THESE  
INSTRUCTIONS

---

LISEZ CES  
INSTRUCTIONS ET  
CONSERVEZ-LES

---

LEA Y CONSERVE  
ESTAS INSTRUCCIONES

**Models:** | ENM230S1  
| ENM236S1

**Contents**

Important safety notice..... 3

    Electrical & installation requirements ..... 4

    Before installing the hood ..... 4

Dimensions and clearances..... 4

List of materials.....5

    Parts supplied .....5

    Parts not supplied .....5

Ducting options and examples..... 6

Installation ..... 7

    Electrical connection..... 8

    Complete the installation..... 9

Description of the hood.....9

Control.....9

Maintenance .....10

Warranty ..... 11

**APPROVED FOR RESIDENTIAL APPLIANCES  
FOR RESIDENTIAL USE ONLY  
READ AND SAVE THESE INSTRUCTIONS**

**PLEASE READ ENTIRE INSTRUCTIONS BEFORE PROCEEDING.  
INSTALLATION MUST COMPLY WITH ALL LOCAL CODES.**

**IMPORTANT:** Save these Instructions for the Local Electrical Inspector’s use.

**INSTALLER:** Please leave these Instructions with this unit for the owner.

**OWNER:** Please retain these instructions for future reference.

**Safety Warning:** Turn off power circuit at service panel and lock out panel, before wiring this appliance.

**Requirement:** 120 V AC, 60 Hz. 15 or 20 A Branch Circuit.

## ⚠ IMPORTANT SAFETY NOTICE

### ⚠ CAUTION

FOR GENERAL VENTILATING USE ONLY. DO NOT USE TO EXHAUST HAZARDOUS OR EXPLOSIVE MATERIALS OR VAPOURS.

### ⚠ WARNING

TO REDUCE THE RISK OF FIRE, ELECTRIC SHOCK, OR INJURY TO PERSONS, OBSERVE THE FOLLOWING:

- A. Use this unit only in the manner intended by the manufacturer. If you have questions, contact the manufacturer.
- B. Before servicing or cleaning the unit, switch power off at service panel and lock service panel disconnecting means to prevent power from being switched on accidentally.  
When the service disconnecting means cannot be locked, securely fasten a prominent warning device, such as a tag, to the service panel.
- C. Installation work and electrical wiring must be done by qualified person(s) in accordance with all applicable codes & standards, including fire-rated construction.
- D. Sufficient air is needed for proper combustion and exhausting of gases through the flue (Chimney) of fuel burning equipment to prevent back-drafting.  
Follow the heating equipment manufacturers guideline and safety standards such as those published by the national fire protection association (NFPA), the american society for heating, refrigeration and air conditioning engineers (ASHRAE), and the local code authorities.
- E. When cutting or drilling into wall or ceiling, do not damage electrical wiring and other hidden utilities.
- F. Ducted systems must always be vented to the outdoors.

### ⚠ CAUTION

To reduce risk of fire and to properly exhaust air, be sure to duct air outside - do not vent exhaust air into spaces within walls, ceilings, attics, crawl spaces, or garages.

### ⚠ WARNING

TO REDUCE THE RISK OF FIRE, USE ONLY METAL DUCT WORK.

Install this hood in accordance with all requirements specified.

### ⚠ WARNING

To reduce the risk of fire or electric shock, do not use this hood with any external solid state speed control device.

### ⚠ WARNING

TO REDUCE THE RISK OF A RANGE TOP GREASE FIRE.

- a) Never leave surface units unattended at high settings. Boilovers cause smoking and greasy spillovers that may ignite. Heat oils slowly on low or medium settings.
- b) Always turn hood ON when cooking at high heat or when flambeing food (I.e. Crepes Suzette, Cherries Jubilee, Peppercorn Beef Flambe').
- c) Clean ventilating fans frequently. Grease should not be allowed to accumulate on fan or filter.
- d) Use proper pan size. Always use cookware appropriate for the size of the surface element.

### ⚠ WARNING

TO REDUCE THE RISK OF INJURY TO PERSONS, IN THE EVENT OF A RANGE TOP GREASE FIRE, OBSERVE THE FOLLOWING:

- a) SMOTHER FLAMES with a close-fitting lid, cookie sheet, or other metal tray, then turn off the gas burner or the electric element. BE CAREFUL TO PREVENT BURNS. If the flames do not go out immediately, EVACUATE AND CALL THE FIRE DEPARTMENT.
- b) NEVER PICK UP A FLAMING PAN - you may be burned.
- c) DO NOT USE WATER, including wet dishcloths or towels - a violent steam explosion will result.
- d) Use an extinguisher ONLY if:
  - 1) You know you have a class ABC extinguisher, and you already know how to operate it.
  - 2) The fire is small and contained in the area where it started.
  - 3) The fire department is being called.
  - 4) You can fight the fire with your back to an exit.
- e) Ducted fans must always be vented to the outdoor.

<sup>a</sup>Based on "Kitchen Fire Safety Tips" published by NFPA.

# ELECTRICAL & INSTALLATION REQUIREMENTS

## IMPORTANT

Observe all governing codes and ordinances.

It is the customer's responsibility:

- To contact a qualified electrical installer.
- To assure that the electrical installation is adequate and in conformance with National Electrical Code, ANSI/NFPA 70 — latest edition\*, or CSA Standards C22.1-94, Canadian Electrical Code, Part 1 and C22.2 No.0-M91-latest edition\*\* and all local codes and ordinances.
- If codes permit and a separate ground wire is used, it is recommended that a qualified electrician determine that the ground path is adequate.
- Do not ground to a gas pipe.
- Check with a qualified electrician if you are not sure range hood is properly grounded.
- Do not have a fuse in the neutral or ground circuit.

## IMPORTANT

- Save Installation Instructions for electrical inspector's use.
- The range hood must be connected with copper wire only.
- The range hood should be connected directly to the fused disconnect (Or circuit breaker) box through metal electrical conduit.
- Wire sizes must conform to the requirements of the National Electrical Code ANSI/NFPA 70 — latest edition\*, or CSA Standards C22.1-94, Canadian Electrical Code Part 1 and C22.2 No. 0-M91 - latest edition\*\* and all local codes and ordinances.
- A U.L.- or C.S.A.-listed conduit connector must be provided at each end of the power supply conduit (at the range hood and at the junction box).

Copies of the standards listed may be obtained from:

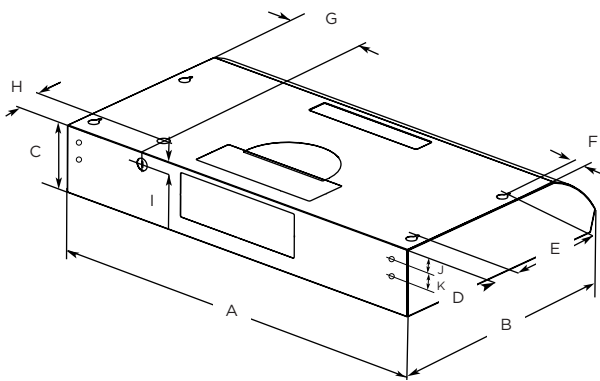
\* National Fire Protection Association Batterymarch Park Quincy, Massachusetts 02269

\*\* CSA International 8501 East Pleasant Valley Road Cleveland, Ohio 44131-5575

## BEFORE INSTALLING THE HOOD

- 1 For the most efficient air flow exhaust, use a straight run or as few elbows as possible.  
CAUTION: Vent unit to outside of building, only.
- 2 At least two people are necessary for installation.
- 3 Fittings material is provided to secure the hood to most types of walls/ceilings, consult a Qualified Installer, check if they perfectly fit with your cabinet/wall.
- 4 Do not use flex ducting.
- 5 COLD WEATHER installations should have an additional backdraft damper installed to minimize backward cold air flow and a nonmetallic thermal break to minimize conduction of outside temperatures as part of the ductwork. The damper should be on the cold air side of the thermal break.  
The break should be as close as possible to where the ducting enters the heated portion of the house.
- 6 Make up air: Local building codes may require the use of Make-Up Air Systems when using Ducted Ventilation Systems greater than specified CFM of air movement. The specified CFM varies from locale to locale. Consult your HVAC professional for specific requirements in your area.

# DIMENSIONS AND CLEARANCES



	Models	
	ENM230S1	ENM236S1
<b>A</b>	30" (76.2 cm)	36" (91.4 cm)
<b>B</b>	18 $\frac{1}{2}$ " (47.3 cm)	
<b>C</b>	4 $\frac{5}{16}$ " (12.5 cm)	
<b>D</b>	1 $\frac{1}{2}$ " (3.8 cm)	
<b>E</b>	9" (22.9 cm)	
<b>F</b>	1" (2.5 cm)	
<b>G</b>	6 $\frac{9}{16}$ " (16.7 cm)	
<b>H</b>	1 $\frac{1}{16}$ " (5 cm)	
<b>I</b>	$\frac{7}{8}$ " (2.2 cm)	
<b>J</b>	1 $\frac{1}{16}$ " (2.6 cm)	
<b>K</b>	1 $\frac{1}{16}$ " (3.6 cm)	

# LIST OF MATERIALS

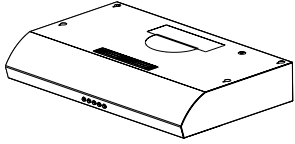


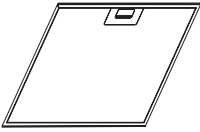

Removing the packaging.

**⚠ CAUTION**

Remove carton carefully, Wear gloves to protect against sharp edges.

**⚠ WARNING**

Remove the protective film covering the product before putting into operation.

Supplied Part	Pieces	Supplied Part	Pieces
 <p>Hood assembly and LED lamps already installed</p>	1	 <p>Rectangular duct 3 1/4" x 10" (8.3 x 25.4 cm) with back draft damper</p>	1
 <p>4.5x13 mm</p>	4	 <p>Grease filter</p>	1
 <p>3.5x6.5 mm</p>	2		

Parts no supplied

**Tools/Materials required**

- Drill
- 1/4" (3.0 cm) drill bit
- 3/8" (3.0 mm) drill bit for pilot holes
- Pencil
- Wire stripper or utility knife
- Tape measure or ruler
- Caulking gun and weatherproof caulking compound
- Saber or keyhole saw
- Metal snips
- Screwdrivers:
  - Phillips
  - Flat-blade

**Optional accessories and consumable parts**

KIT	# Part
<b>Recirculating Kit</b>	KIT0140997
<b>7" Round Kit</b>	KIT02722
<b>7" Round Back Draft Damper Kit</b>	KIT02723

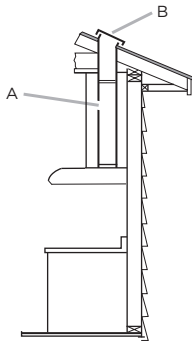
## Ducting Options

Closely follow the instructions set out in this manual.

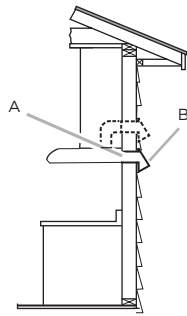
All responsibility, for any eventual inconveniences, damages or fires caused by not complying with the instructions in this manual, is declined.

### Ducting version

- a) 3/4" x 10" (8.3 x 25.4 cm) rectangular vent through the roof/wall (purchased separately).
- b) Roof/wall cap (purchased separately)



Roof Venting

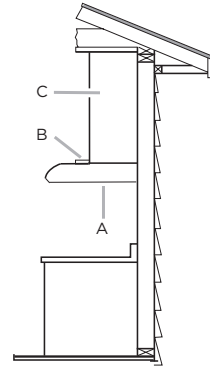


Wall Venting

### Ductless (Recirculating)

In cases where it should not be possible to discharge cooking fumes and vapour to the outside, purchase the Ductless Recirculating Kit. For ductless (Recirculating) version only.

- a) Charcoal filter
- b) Recirculation cover plate
- c) Cabinet



### Preparation

Do not cut a joist or stud unless absolutely necessary. If a joist or stud must be cut, then a supporting frame must be constructed.

Fittings material is provided to secure the hood to most types of walls/ceilings.

However, a qualified technician must verify suitability of the materials in accordance with the type of wall/ceiling.

Before making cutouts, make sure there is proper clearance within the ceiling or wall for exhaust vent.

### Recommended installation height:

Hood installation height above cooktop is the users preference. The lower the hood is above the cooktop, the more efficient the capturing of cooking odors, grease and smoke.

### ⚠ CAUTION

FOR GAS RANGES INSTALLATION: MOUNT THIS HOOD SO THAT THE BOTTOM IS NOT LESS THAN 27" (68.6 CM).  
FOR ELECTRIC RANGES INSTALLATION: MOUNT THIS HOOD SO THAT THE BOTTOM IS NOT LESS THAN 24" (61 CM) AND NOT MORE THAT 30" (76.2 CM) ABOVE THE COOKING SURFACE.

Check your ceiling height and the hood height maximum before you select your hood.

## Prepare Location

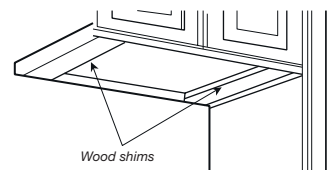
**NOTE:** It is recommended that the vent system be installed before hood is installed. Before making cutouts, make sure there is proper clearance within the ceiling or wall for exhaust vent.

- 1 Disconnect power.
- 2 Depending on your model, determine which venting method to use: roof, wall or recirculating.
- 3 Select a flat surface for assembling the range hood. Place covering over that surface. Lift the range hood and set it upside down onto covered surface.

### For recessed bottom cabinet only

- 1 If the cabinets have front, side or back trim, make 2 wood shims the width of the trim and attach them to the cabinet bottom recess on both sides. See the diagrams for marking locations.

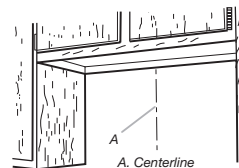
**IMPORTANT:** Align the wood filler strips so that they completely cover the recessed bottom cabinet.



### Determine Wiring Hole Location

Cut only one 1/4" (3.2 cm) diameter wiring access hole.

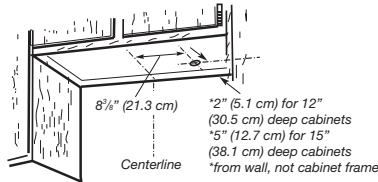
- 1 Determine and clearly mark a vertical centerline on the wall and cabinet in the area the vent opening will be made.



## Installation

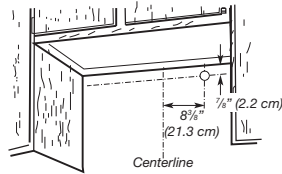
### To wire through top:

- Mark a line  $8\frac{3}{8}$ " (21.3 cm) from the right of the centerline on the underside of the cabinet. For 12" (30.5 cm) deep cabinets, mark the point on this line that is 2" (5.1 cm) from the back wall. For 15" (38.1 cm) deep cabinets, mark the point on this line that is 5" (12.7 cm) from the back wall. Drill a  $1\frac{1}{4}$ " (3.2 cm) diameter hole through the cabinet at this point.



### To wire through wall:

- Mark a line  $8\frac{3}{8}$ " (21.3 cm) from the right of the centerline on the underside of the wall. Mark the point on this line that is  $\frac{7}{8}$ " (2.2 cm) from the underside of the cabinet. Drill a  $1\frac{1}{4}$ " (3.2 cm) diameter hole through the rear wall at this point.

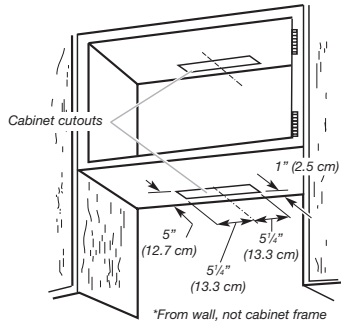


### Cut Openings for $3\frac{1}{4}$ " x 10" (8.3 cm x 25.4 cm) Rectangular Vent System

#### Roof Venting

To make a  $4\frac{1}{4}$ " x  $10\frac{1}{2}$ " (10.8 cm x 26.7 cm) rectangular cutout on the underside of cabinet top and bottom:

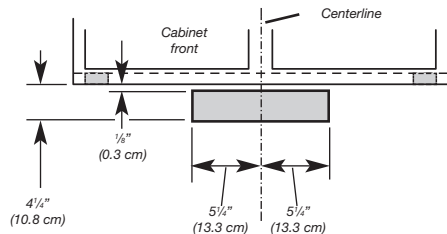
- Mark lines  $\frac{1}{2}$ " (1.3 cm) and  $4\frac{3}{4}$ " (12.1 cm) from the back wall on the centerline of the underside of cabinet.
- Mark lines  $5\frac{1}{4}$ " (13.3 cm) to the right and left of the centerline on the underside of cabinet.
- Use saber or keyhole saw to cut a rectangular opening for vent.
- Repeat steps 1-3 for the underside of the top of the cabinet.



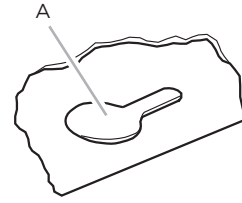
#### Wall Venting

To make a  $4\frac{1}{4}$ " x  $10\frac{1}{2}$ " (10.8 cm x 26.7 cm) rectangle in the wall:

- Make 2 lines by measuring  $\frac{1}{8}$ " (0.3 cm) and  $4\frac{1}{16}$ " (10.3 cm) down from underside of cabinet and mark on the centerline on the back wall.
- Mark lines  $5\frac{1}{4}$ " (13.3 cm) to the right and left of the centerline on the wall.
- Use saber or keyhole saw to cut a rectangular opening in the wall for the vent.



- Lift the range hood up under cabinet and determine final location by centering beneath cabinet. Mark on the underside of cabinet the location of the 4 keyhole mounting slots on the range hood. Set range hood aside on a covered surface.



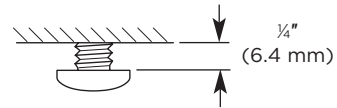
A. Keyhole slot

- Use  $\frac{1}{8}$ " (3 mm) drill bit and drill 4 pilot holes as shown.

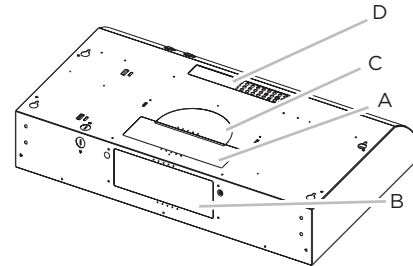


A. Drill pilot hole

- Install the 4 - 4.5 mm x 13 mm mounting screws in pilot holes. Leave about  $\frac{1}{4}$ " (6.4 mm) space between screw heads and cabinet to slide range hood into place.



- Remove transition knockouts depending on the selected venting method.



A. Top rectangular vent knockout  
B. Rear rectangular vent knockout  
C. Round vent knockout  
D. Recirculation cover plate

#### Top venting outlet (exit through the wall or the roof):

For rectangular vent system installations, remove the top rectangular knockout.

**NOTE:** For round vent system installations, remove the top round knockout.

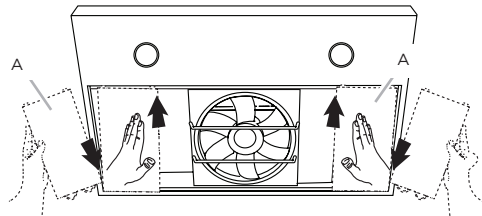
#### Rear venting outlet (exit through the wall):

Remove the rear rectangular knockout.

#### Non-ducted (recirculating) installations - No vent attachments.

Remove the two screws from the recirculation cover plate and set it aside. See the Recirculating installations section.

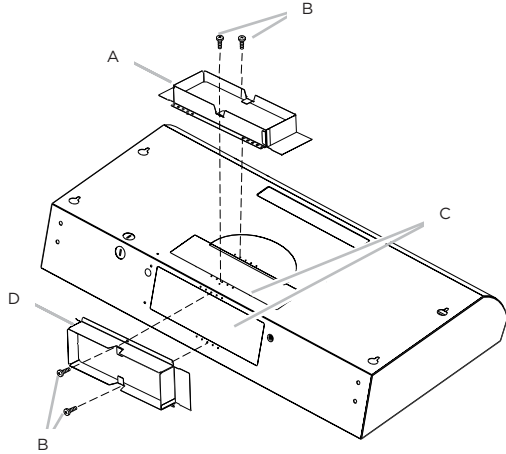
- Remove metal grease filters. See the "Range Hood Care" section. First remove the bracket and then the lateral panels. **NOTE:** You will have  $3\frac{1}{4}$ " x 10" (8.3 x 25.4 cm) rectangular vent transition inside your range hood. Remove the  $3\frac{1}{4}$ " x 10" (8.3 x 25.4 cm) rectangular vent transition inside your range hood.



A. Lateral panels

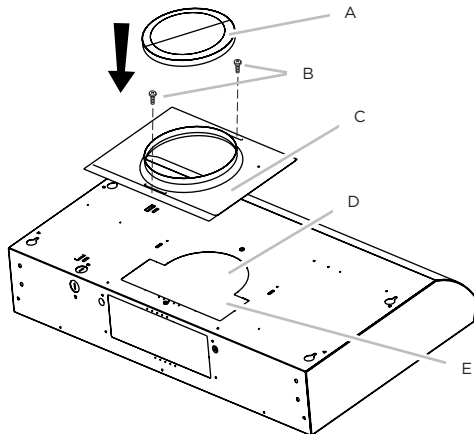
- Install 3/4 x 10" (8.3 x 25.4 cm) vent connector, depending on the vent system installation.

**NOTE:** The 3/4 x 10" (8.3 x 25.4 cm) rectangular vent connector can be installed up to 1" (2.5 cm) on either side of the hood center to accommodate off center ductwork.



A. Vertical connector  
B. 6.5 x 9.5 mm screws  
C. Vent knockouts  
D. Horizontal connector

- For round installation: Install 7" (17.8 cm) round vent mounting plate and damper (purchase as an accessory).



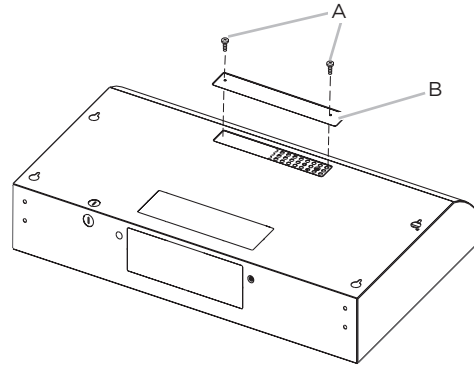
A. 7" (17.8 cm) round damper  
B. Sheet metal screws  
C. 7" (17.8 cm) round vent mounting plate  
D. Round vent knockout  
E. Rectangular vent knockout

- If a vent damper is installed with a wall cap with damper, check to make sure they do not interfere with each other. Remove the vent connector damper flap if they interfere.

**Non-ducted (recirculating) installations - No vent attachments.**

It requires the removal of the recirculation cover plate.

Remove the two screws from the recirculation cover plate and remove.



A. Screws (2)  
B. Recirculation cover plate

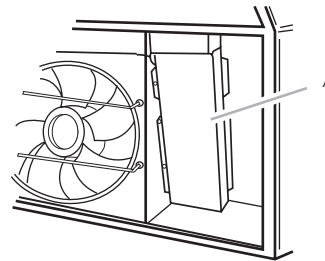
**Electrical Connection**

**⚠ WARNING**  
Electrical Shock Hazard

**⚠ WARNING**  
Turn off power circuit at the service panel before wiring this unit. 120 VAC, 15 or 20 Amp circuit required.

**ELECTRICAL GROUNDING INSTRUCTIONS**  
THIS APPLIANCE IS FITTED WITH AN ELECTRICAL JUNCTION BOX WITH 3 WIRES, ONE OF WHICH (GREEN/YELLOW) SERVES TO GROUND THE APPLIANCE. TO PROTECT YOU AGAINST ELECTRIC SHOCK, THE GREEN AND YELLOW WIRE MUST BE CONNECTED TO THE GROUNDING WIRE IN YOUR HOME ELECTRICAL SYSTEM, AND IT MUST UNDER NO CIRCUMSTANCES BE CUT OR REMOVED.  
**Failure to do so can result in death or electrical shock.**

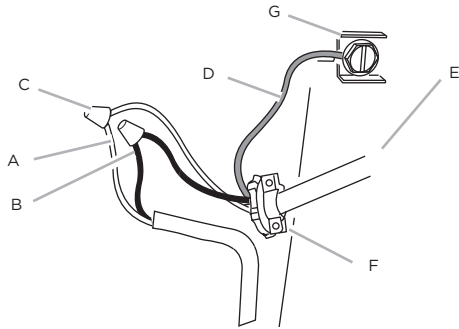
- Remove the knockout and the Junction box cover and install the conduit connector (cULus listed) in junction box.



A. Terminal box cover



- Run 3 wires; black, white and green ,according to the National Electrical Code and local codes and ordinances, in ½” conduit from service panel to junction box.

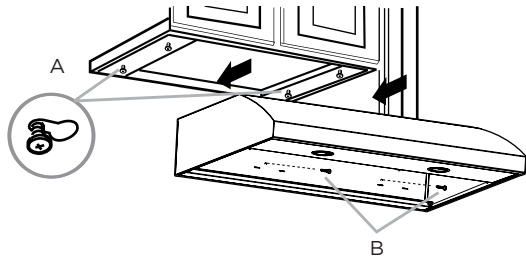


- |                                |  |
|--------------------------------|--|
| A. White wires                 | E. Home power supply cable or power cord accessory kit |
| B. Black wires                 | F. UL listed or CSA approved ½” strain relief          |
| C. UL listed wire connector    | G. Green ground screw                                  |
| D. Green (or bare) ground wire |  |

- Connect black wire from service panel to black or red in junction box, white to white and green to green-yellow.
- Close and secure junction box cover.

## Complete Installation

- Lift the hood into final position. Feed enough electrical wire through the ½” UL listed or CSA approved strain relief to make connections in the terminal box. Tighten the strain relief screws.
- Position the range hood so that the large end of the keyhole slots are over the mounting screws. Then push the hood toward the wall so that the screws are in the neck of the slots.



A. Mounting screws (4)  
B. Security screws

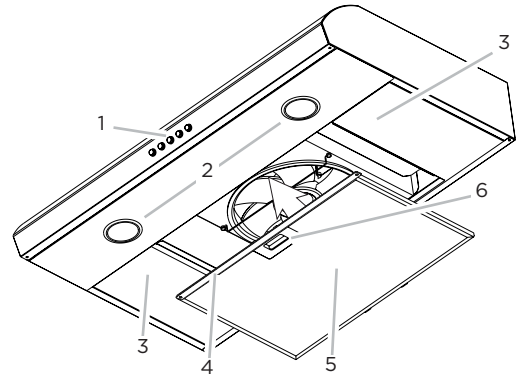
- Tighten the mounting screws, making sure the screws are in the narrow neck of slots.
- Connect ventwork to hood. Seal joints with clamps to make secure and airtight.
- Check that back draft dampers work properly.
- Replace filters. See the “Range Hood Care”. Check operation of the hood.

### If range hood does not operate:

- Check that the circuit breaker is not tripped or the house fuse blown.
- Disconnect power supply. Check that wiring is correct.

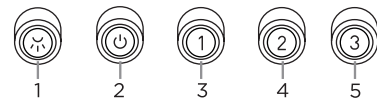
To get the most efficient use from your new range hood, read the “Use and Care Information” section. Keep your Installation Instructions and Use and Care Guide close to range hood for easy reference.

## Description of the Hood



- |                   |                         |
|-------------------|-------------------------|
| 1. Control        | 4. Bracket              |
| 2. LED lights     | 5. Grease filter        |
| 3. Lateral panels | 6. Grease filter handle |

### Controls



1. Light On/Off button
2. Blower On/Off button
3. Blower speed minimum button
4. Blower speed medium button
5. Blower speed maximum button

NOTE: Control buttons will light up when range hood is On.

### Operating the light

The Light On/Off button (1) controls both lights. Press once for On and again for Off.

### Operating the blower

The Blower On/Off button (2) turns the blower On or Off. The Blower Speed buttons (3, 4 and 5) set the desired speed and control the sound level for quiet operation. The speed can be changed anytime during fan operation by pressing the desired blower speed button.

- 1 To turn the blower On, press the Blower On/Off button (2) and the desired speed button (3, 4 or 5).
- 2 To turn the blower Off, press the Blower On/Off button (2).

Any of the 3 blower speed buttons can be in the On position at the same time. The blower will operate at the highest speed button that is pushed in. For lower blower speeds, the higher speed buttons must not be pushed in.

# Range Hood Care

## Cleaning

Do not spray cleaners directly to the control while cleaning the Hood. The cooker hood should be cleaned regularly (at least with the same frequency with which you carry out maintenance of the fat filters) internally and externally. Clean using the cloth dampened with neutral liquid detergent. Do not use abrasive products.

DO NOT USE ALCOHOL!

## ⚠ WARNING:

Failure to carry out the basic cleaning recommendations of the cooker hood and replacement of the filters may cause fire risks. Therefore, we recommend observing these instructions. The manufacturer declines all responsibility for any damage to the motor or any fire damage linked to inappropriate maintenance or failure to observe the above safety recommendations.

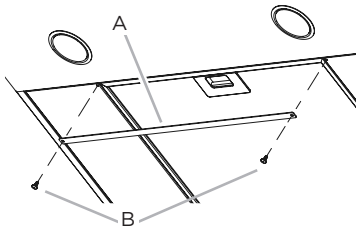
## Grease filter

Traps cooking grease particles.

This must be cleaned once a month using non aggressive detergents, either by hand or in the dishwasher, which must be set to a low temperature and a short cycle. When washed in a dishwasher, the grease filter may discolour slightly, but this does not affect its filtering capacity.

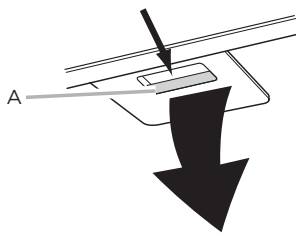
To remove the grease filter

- 1 Remove the grease filter bracket.



- A. Bracket
- B. Grease filter bracket screws (2)

- 2 Pull the spring release handle to remove the grease filter.



- 3 Reinstall the filter by placing the back edge in the channel at rear of hood.
- 4 Replace the bracket using the screws that were previously removed in step 1.

## Replacing a LED Lamp

The LED lights are replaceable by a service technician only. See the service contact information in this page below.

## Charcoal filter

If the model is not vented to the outside, the air will be recirculated through disposable charcoal filter that help remove smoke and odors.

The charcoal filter cannot be cleaned.

It must be replaced.

The charcoal filter is clipped inside of the metal grease filter

The charcoal filter should be replaced every 4-6 months (depending on hood usage).

**NOTE:** DO NOT rinse, or put charcoal filter in an automatic dishwasher.

**NOTE:** Charcoal filter is not included with the hood.

It must be ordered from your supplier.

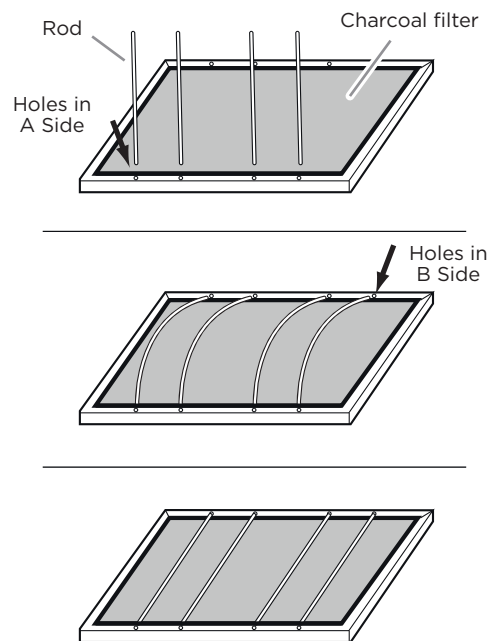
Order the needed kit specifying your hood model and width size.

## Charcoal filter placement (Recirculating accessories)

Fit the charcoal filter mattress on the upper side of the grease filter.

Use provided rods to fix it in place.

**NOTE:** Place each rod into the hole in A side and then into the next hole in B side of the charcoal filter as the image below.



# ELICA North America

## TWO-YEARS LIMITED WARRANTY

### TO OBTAIN SERVICE UNDER WARRANTY

Owner must present proof of original purchase date. Please keep a copy of your dated proof of purchase (sales slip) in order to obtain service under warranty.

### PARTS AND SERVICE WARRANTY

For the period of two (2) years from the date of the original purchase, Elica will provide free of charge, non consumable parts or components that failed due to manufacturing defects. During these two (2) years limited warranty, Elica will also provide free of charge, all labor and in-home service to replace any defective parts.

### WHAT IS NOT COVERED

- Damage or failure to the product caused by accident or act of God, such as, flood, fire or earthquake.
- Damage or failure caused by modification of the product or use of non-genuine parts.
- Damage or failure to the product caused during delivery, handling or installation.
- Damage or failure to the product caused by operator abuse.
- Damage or failure to the product caused by dwelling fuse replacement or resetting of circuit breakers.
- Damage or failure caused by use of product in a commercial application.
- Service trips to dwelling to provide use or installation guidance.
- Light bulbs, metal or carbon filters and any other consumable part.
- Normal wear of finish.
- Wear to finish due to operator abuse, improper maintenance, use of corrosive or abrasive cleaning products/pads and oven cleaner products.

### WHO IS COVERED

This warranty is extended to the original purchaser for products purchased for ordinary residential use in North America (Including the United States, Guam, Puerto Rico, US Virgin Islands & Canada).

This warranty is non-transferable and applies only to the original purchaser and does not extend to subsequent owners of the product. This warranty is made expressly in lieu of all other warranties, expressed or implied, including, but not limited to any implied warranty of merchantability or fitness for a particular purpose and all other obligations on the part of Elica North America, provided, however, that if the disclaimer of implied warranties is ineffective under applicable law, the duration of any implied warranty arising by operation of law shall be limited to two (2) years from the date of original purchase at retail or such longer period as may be required by applicable law.

This warranty does not cover any special, incidental and/or consequential damages, nor loss of profits, suffered by the original purchaser, its customers and/or the users of the Products.

### WHO TO CONTACT

To obtain service under warranty or for any service related question:

- Elica North America Service, call at 1 888 732 8018
- For Eastern Canada, call AGI Services at 1 888 651 2534 Ask for the service department
- [elica@servicepower.com](mailto:elica@servicepower.com)

**Table des matières**

Avis de sécurité important .....	13
Exigences électriques et d'installation .....	14
Avant d'installer la hotte .....	14
Dimensions du produit .....	14
Liste des pièces .....	15
Pièces fournies .....	15
Pièces non fournies .....	15
Méthodes d'évacuation .....	16
Installation .....	17
Electrical connection.....	19
Achever l'installation .....	19
Description de la hotte .....	20
Commandes .....	20
Entretien .....	20
Garantie .....	22

**APPROUVÉ POUR LES APPAREILS DE TYPE RÉSIDENTIEL  
POUR UNE UTILISATION RÉSIDENTIELLE SEULEMENT  
LISEZ CES INSTRUCTIONS ET CONSERVEZ-LES**

**VEUILLEZ LIRE CES INSTRUCTIONS AU COMPLET AVANT DE COMMENCER.  
L'INSTALLATION DE L'APPAREIL DOIT RESPECTER TOUS LES CODES EN VIGUEUR.**

**IMPORTANT :** Conservez ces instructions afin de pouvoir les remettre à l'inspecteur-électricien de votre région.

**INSTALLATEUR :** Veuillez laisser ces instructions avec l'appareil pour le propriétaire.

**PROPRIÉTAIRE :** Veuillez conserver ces instructions pour pouvoir vous y référer plus tard.

**Avertissement de sécurité :** Coupez l'alimentation du circuit dans le panneau électrique et verrouillez le panneau avant de raccorder les fils de cet appareil.

**Exigence :** 120 V c.a., 60 Hz circuit de dérivation de 15 V c.a., 20 Hz, de 15 ou 20 A.

## ⚠️ AVIS DE SÉCURITÉ IMPORTANT

### ⚠️ ATTENTION

UTILISER CET APPAREIL À DES FINS DE VENTILATION GÉNÉRALE SEULEMENT. NE PAS UTILISER CET APPAREIL POUR ÉVACUER DES MATÉRIAUX OU DES VAPEURS DANGEREUX OU EXPLOSIFS.

### ⚠️ AVERTISSEMENT

POUR RÉDUIRE LES RISQUES D'INCENDIE, DE CHOC ÉLECTRIQUE ET DE BLESSURE, RESPECTER LES DIRECTIVES SUIVANTES:

- A. Utiliser cet appareil uniquement aux fins prévues par le fabricant. Si vous avez des questions à propos de l'appareil, communiquez avec le fabricant.
- B. Avant de faire l'entretien de l'appareil ou de le nettoyer, coupez l'alimentation dans le panneau électrique et verrouillez le panneau en bloquant le dispositif permettant d'empêcher d'activer l'alimentation accidentellement. S'il n'est pas possible de verrouiller l'accès au panneau, fixez une étiquette très voyante au panneau électrique.
- C. Une personne qualifiée doit effectuer l'installation et le câblage des fils électriques en conformité avec tous les codes et toutes les normes, y compris la cote de résistance au feu.
- D. Il est important de prévoir suffisamment d'air pour assurer une bonne combustion de l'équipement de chauffe et l'évacuation adéquates des gaz par le conduit de cheminé afin de prévenir les refoulements d'air. Respectez les directives et les normes de sécurité des fabricants de l'équipement de chauffage, comme celles publiées par la National Fire Protection Association (NFPA), la American Society for Heating, Refrigeration and Air Conditioning Engineers (ASHRAE) et le code des autorités de votre région.
- E. Au moment de couper ou de percer un mur ou un plafond, assurez-vous de ne pas endommager la filerie électrique ou tout autre accès à un service publique.
- F. Il faut toujours évacuer à l'extérieur les systèmes conduit.

### ⚠️ ATTENTION

Pour réduire les risques d'incendie et évacuer l'air correctement, assurez-vous que le conduit mène à l'extérieur; il ne faut pas évacuer l'air dans l'espace entre les murs, dans les plafonds, dans les greniers, les vides sanitaires ou les garages.

### ⚠️ AVERTISSEMENT

POUR RÉDUIRE DES RISQUES D'INCENDIE, UTILISEZ UNIQUEMENT DES CONDUITS EN MÉTAL.

Installez cette hotte en respectant toutes les exigences mentionnées.

### ⚠️ AVERTISSEMENT

Pour réduire les risques d'incendie et de choc électrique, n'utilisez pas cette hotte avec un contrôleur de vitesse à semi-conducteurs.

### ⚠️ ATTENTION

Dispositif à commande automatique - pour réduire le risque de Blessure Débrancher de l'alimentation électrique avant la maintenance.

### ⚠️ AVERTISSEMENT

POUR RÉDUIRE LES RISQUES D'INCENDIE DE GRAISSE SUR LES CUISINIÈRES.

- a) Ne laissez jamais la cuisinière sans surveillance lorsqu'elle est réglée à une haute température. Les débordements par bouillonnement causent de la fumée et des débordements de gras qui peuvent s'enflammer. Faites chauffer l'huile lentement, à une température basse ou moyenne.
- b) Faites toujours fonctionner la hotte lorsque vous utilisez la cuisinière à une haute température ou que vous faites flamber des aliments (P. ex.: crêpes Suzette, cerises jubilé, boeuf au poivre flambé).
- c) Nettoyez les hélices de ventilation fréquemment. Il ne faut pas que la graisse s'accumule sur les filtres ou les hélices.
- d) Utilisez le bon format de casserole. Utilisez toujours un chaudron de taille approprié à l'élément de la cuisinière.
- e) Convient pour utilisation dans la zone de cuisson domestique.

### ⚠️ AVERTISSEMENT

POUR ÉVITER DE BLESSER QUELQU'UN LORS D'UN INCENDIE DE GRAISSE SUR LA CUISINIÈRE, SUIVRE LES CONSEILS SUIVANTS:<sup>a</sup>

- a) ÉTOUFFER LES FLAMMES avec un couvercle aux dimensions de la tache de cuisson, une tôle à biscuit ou tout autre plateau métallique, puis couper le gaz ou l'alimentation électrique de la cuisinière. FAIRE ATTENTION A NE PAS SE BRÛLER. Si les flammes ne s'éteignent pas immédiatement, QUITTER LA PIÈCE ET APPELER LES POMPIERS.
- b) NE JAMAIS PRENDRE EN MAIN UNE CASSEROLE N FEU, vous pourriez vous blesser.
- c) NE PAS UTILISER D'EAU, y compris les essuies de vaisselle ou les serviettes humides - une violente explosion due à la vapeur formée pourrait survenir.
- d) Utiliser un extincteur SEULEMENT si:
  - 1) Vous êtes sûr d'avoir un extincteur de classe ABC que vous savez utiliser.
  - 2) Le feu est petit et confiné à la zone où il s'est formé.
  - 3) Les pompiers ont été appelés.
  - 4) Vous pouvez lutter contre le feu avec une sortie derrière vous.
- e) Les ventilateurs conduits doivent toujours être évacués vers l'extérieur.

a Recommandations tirées des conseils de sécurité en cas d'incendie de cuisine publiés par la NFPA.

## EXIGENCES ÉLECTRIQUES ET D'INSTALLATION

### IMPORTANT

Respectez tous les codes et les ordonnances en vigueur.

Le client a la responsabilité de :

- Contacter un électricien-installateur.
- Vérifier que l'installation électrique est adéquate et conforme avec le Code national de l'électricité, ANSI/ NFPA 70 (la plus récente édition\*), ou les normes C22.1-94, Code canadien de l'électricité, Partie 1 et C22.2 No.0-M91 (La plus récente édition\*\*) de la CSA, ainsi que tous les codes et les ordonnances de votre région.
- Si le code le permet et que vous utilisez un fil de mise à la terre distinct, il est recommandé de faire vérifier le chemin du fil par un électricien.
- Ne pas mettre l'appareil à la terre sur une conduite de gaz.
- Consultez un électricien qualifié si vous n'êtes pas certain que la hotte est mise à la terre correctement.
- N'installez pas un fusible dans le circuit neutre ou le circuit de mise à la terre.

### IMPORTANT

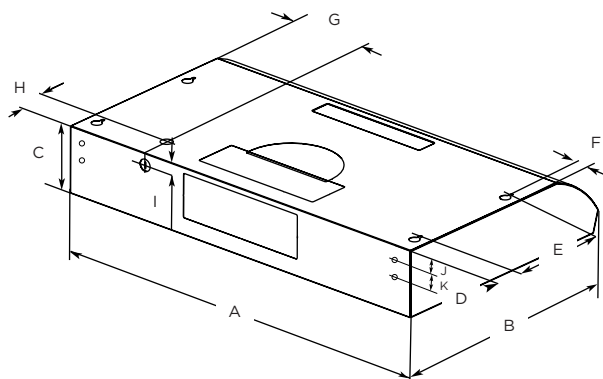
- Conservez ces instructions afin de pouvoir les remettre à l'inspecteur-électricien.
- La hotte doit être câblée uniquement à l'aide de fils de cuivre.
- Il faut raccorder la hotte directement à une boîte à fusible ou à un disjoncteur par l'entremise d'une canalisation électrique en métal.
- Le calibre de fil doit être conforme aux exigences du Code national de l'électricité, ANSI/NFPA 70 (La plus récente édition\*), ou les normes C22.1-94, Code canadien de l'électricité, Partie 1 et C22.2 O-M91 (La plus récente édition\*\*) de la CSA, ainsi que tous les codes et les ordonnances de votre région.
- Il faut prévoir un connecteur de canalisation approuvé par l'UL ou la CSA à chaque extrémité de la canalisation d'alimentation (À la hotte et à la boîte de jonction).

### AVANT D'INSTALLER LA HOTTE

- 1 Pour assurer la ventilation la plus efficace possible, installez la conduite en ligne droite ou avec le moins de coudes possibles.  
ATTENTION : La sortie de la conduite de ventilation doit donner sur l'extérieur.
- 2 Deux personnes sont nécessaires pour effectuer l'installation.
- 3 La quincaillerie fournie permet de fixer la hotte à la plupart des murs et des plafonds; consultez un installateur qualifié pour vous assurer que la quincaillerie fournie est adaptée à votre type de mur ou d'armoire.
- 4 N'utilisez pas de conduit flexible.
- 5 Dans le cas des endroits sujets aux TEMPÉRATURES FROIDES, il faut installer un clapet de contre-tirage supplémentaire afin de minimiser le retour d'air froid et un isolant thermique non métallique afin de minimiser la conduction de la température extérieur dans le conduit. Il faut placer le clapet du côté de l'air froid de l'isolant thermique.  
L'isolant doit être placé le plus près possible de l'endroit où le conduit entre dans la partie chauffée de la maison.
- 6 Air d'appoint : Le code du bâtiment de votre région peut exiger l'utilisation d'un système d'air d'appoint si vous utilisez un système de ventilation à conduit dont le mouvement d'air dépasse un certain nombre de CFM. Le nombre de pi<sup>3</sup>/min varie d'une région à l'autre. Consultez un professionnel de CVC pour connaître les exigences précises de votre région.

Vous pouvez obtenir un exemplaire des normes indiquées en vous adressant à :  
\* La National Fire Protection Association, Batterymarch Park Quincy, Massachusetts, 02269  
\*\* La CSA International, 8501 East Pleasant Valley Road, Cleveland, Ohio, 44131-5575

## DIMENSIONS DU PRODUIT



	Modèles	
	ENM230S1	ENM236S1
<b>A</b>	30" (76,2 cm)	36" (91,4 cm)
<b>B</b>	18 $\frac{5}{8}$ " (47,3 cm)	
<b>C</b>	4 $\frac{1}{16}$ " (12,5 cm)	
<b>D</b>	1 $\frac{1}{2}$ " (3,8 cm)	
<b>E</b>	9" (22,9 cm)	
<b>F</b>	1" (2,5 cm)	
<b>G</b>	6 $\frac{9}{16}$ " (16,7 cm)	
<b>H</b>	1 $\frac{15}{16}$ " (5 cm)	
<b>I</b>	$\frac{7}{8}$ " (2,2 cm)	
<b>J</b>	1 $\frac{1}{16}$ " (2,6 cm)	
<b>K</b>	1 $\frac{7}{16}$ " (3,6 cm)	

## LISTE DES PIÈCES

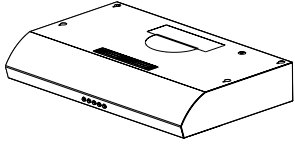


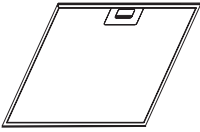

Retirer les pièces de leur emballage.

### ⚠ ATTENTION

Enlever délicatement le carton, porter des gants pour se protéger des bords coupants.

### ⚠ AVERTISSEMENT

Enlever le film de protection recouvrant le produit avant de commencer l'opération.

Pièces Fournies	Quantité	Pièces Fournies	Quantité
 <p>Assemblage hotte avec lampes DEL</p>	1	 <p>Module connecteur de conduit rectangulaire de 3/4" x 10" (8,3 x 25,4 cm)</p>	1
 <p>4,5x13 mm</p>	4	 <p>Filtre à graisse</p>	1
 <p>3,5x6,5 mm</p>	2		

### Pièces non fournies

#### Outils nécessaires

- Perceuse
- Foret de 1/4" (3,0 cm)
- Foret de 1/8" (3,0 mm) pour avant-trous
- Crayon
- Pince à dénuder ou couteau utilitaire
- Ruban à mesurer ou règle
- Pistolet à calfeutrage et composé de calfeutrage résistant aux intempéries
- Tournevis à lame plate
- Tournevis Philips
- Scie sauteuse ou scie à guichet
- Cisaille de ferblantier

#### Accessoires optionnel

KIT	# Pièce
<b>Kit de recyclage</b>	KIT0140997
<b>Plaque de montage de conduit circulaire de 7"</b>	KIT02722
<b>Clapet anti-reflux rond de 7"</b>	KIT02723

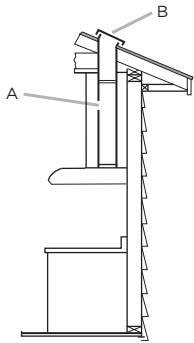
## Méthodes d'évacuation

Suivez à la lettre les directives présentées dans ce manuel.

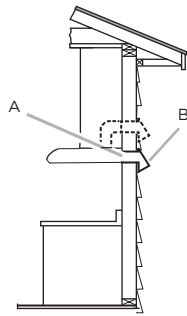
Le fabricant refuse toute responsabilité en ce qui a trait à tout préjudice, dommage ou incendie causé par la non observation des directives contenues dans le présent manuel.

### Version à conduit

- a) 3/4" x 10" (8.3 x 25.4 cm) rectangular vent through the roof/wall (purchased separately).
- b) Roof/wall cap (purchased separately)



Décharge à travers le toit

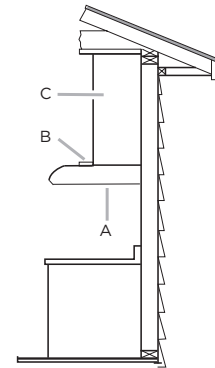


Décharge à travers le mur

### Version sans conduit (Recyclage)

S'il s'avère impossible d'évacuer la fumée et les vapeurs de cuisson à l'extérieur, il est possible de transformer la hotte en version sans conduit (Recyclage).

Dans le cas de la version sans conduit (à recyclage) seulement: procurez-vous la trousse de conversion en hotte à recyclage.



- a) Filtre au charbon
- b) Plaque de protection pour mode recyclage
- c) Placard

### Préparation

Ne coupez pas une solive ou un montant à moins qu'il soit absolument nécessaire de le faire. Si vous devez couper une solive ou un montant, vous devez construire un cadre de soutien. La quincaillerie fournie permet de fixer la hotte à la plupart des murs et des plafonds.

Vous devez cependant demander à un technicien qualifié de vérifier la solidité des matériaux selon le type de mur ou de plafond.

Avant de couper, assurez-vous qu'il y a un dégagement suffisant dans le plafond ou le mur pour passer la conduite de sortie.

### ⚠ ATTENTION

**POUR L'INSTALLATION DES CUISINIÈRES À GAZ: INSTALLER CETTE HOTTE DE SORTE QUE LE REBORD INFÉRIEUR EST À 27" (68,6 CM) AU-DESSUS DE LA SURFACE DE CUISSON. POUR L'INSTALLATION DES CUISINIÈRES ÉLECTRIQUES / INDUCTION: INSTALLER CETTE HOTTE DE SORTE QUE LE REBORD INFÉRIEUR EST PAS MOINS DE 24" (61 CM) SUR LA SURFACE DE CUISSON. IL EST RECOMMANDÉ D'INSTALLER CETTE HOTTE PLUS DE 30" (76,2 CM) AU-DESSUS DE LA SURFACE DE CUISSON. PAR POUCE (2,54 CM) SUPÉRIEURE À 30" (76,2 CM) DIMINUERA L'EFFICACITÉ DE LA CAPTURE DE LA FUMÉE ET DE L'HUMIDITÉ, ET LA PERFORMANCE DE VENTILATION.**

S'IL VOUS PLAÎT LIRE L'INSTALLATION POUR UNE INSTALLATION SPÉCIFIQUE. Avant de choisir la hotte, vérifiez la hauteur du plafond et la hauteur maximale de la hotte.

## Préparation de l'emplacement

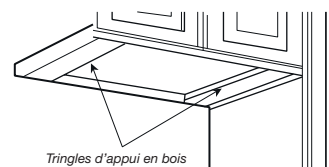
**REMARQUE:** Il est recommandé d'installer le circuit d'évacuation avant de procéder à l'installation de la hotte. Avant d'exécuter les découpages, vérifier la disponibilité d'un dégagement suffisant dans le plafond ou le mur pour le conduit d'évacuation. Avant d'installer la hotte, mesurer la hauteur libre sous plafond et la hauteur maximum disponible sous la hotte.

- 1 Déconnecter la source de courant électrique.
- 2 Déterminer la méthode d'évacuation à utiliser: décharge à travers le mur ou le toit, ou recyclage.
- 3 Sélectionner une surface plane pour l'assemblage de la hotte. Placer le matériau de protection sur cette surface.

### Pour armoires encastrées uniquement

- 1 Si les armoires ont une garniture à l'avant, sur le côté ou à l'arrière, réaliser 2 morceaux de bois de la largeur des garnitures et les attacher à l'armoire encastrée sur les 2 côtés. Installer les vis pour fixer les tringles d'appui aux emplacements indiqués.

**IMPORTANT:** Alignez les triangles d'appui afin qu'ils couvrent complètement l'armoire inférieure encastrée.

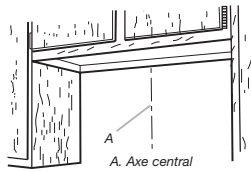


### Déterminer l'emplacement du trou de passage du câble

Percer seulement un trou de passage de 1/4" (3,2 cm) de diamètre pour le câblage.

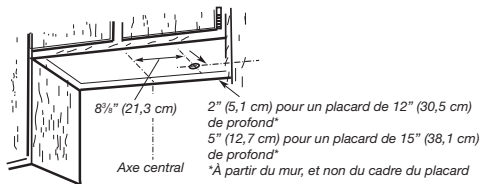
- 1 Déterminer et tracer clairement l'axe central vertical sur le mur et le placard dans la zone où le passage du conduit d'évacuation sera réalisé.





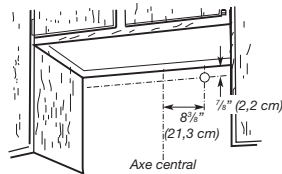
### Câblage à travers le sommet du placard:

- Tracer une ligne de distance  $8\frac{3}{8}$ " (21,3 cm) à droite de l'axe central, sur la face inférieure du placard. Pour les placards de 12" (30,5 cm) de profondeur, sur cette ligne, marquer le point situé à 2" (5,1 cm) du mur arrière. Pour les placards de 15" (38,1 cm) de profondeur, sur cette ligne, marquer le point situé à 5" (12,7 cm) du mur arrière. Percer en ce point un trou de  $\frac{1}{4}$ " (3,2 cm) de diamètre à travers le placard.



### Passage du câble à travers le mur:

- Tracer une ligne de distance  $8\frac{3}{8}$ " (21,3 cm) à droite de l'axe central, sur la face inférieure du placard. Sur cette ligne, marquer le point situé à  $\frac{1}{8}$ " (2,2 cm) à partir de la face inférieure du mur. Percer en ce point un trou de  $\frac{1}{4}$ " (3,2 cm) de diamètre à travers le mur arrière.

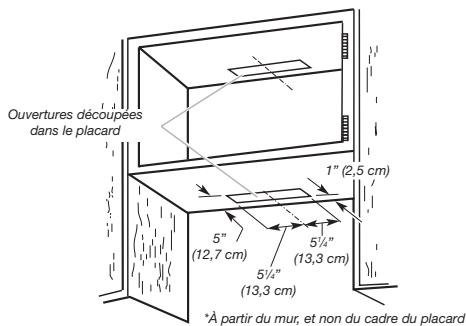


### Découpages d'ouverture pour un système d'évacuation rectangulaire de $3\frac{1}{4}$ " x 10"

#### Évacuation à travers le toit

Découpage d'une ouverture rectangulaire de  $4\frac{1}{4}$ " x  $10\frac{1}{2}$ " (10,8 cm x 26,7 cm) sur la face inférieure du sommet et du bas du placard:

- Tracer des lignes à  $\frac{1}{2}$ " (1,3 cm) et  $4\frac{3}{4}$ " (12,1 cm) du mur arrière, sur l'axe central de la face inférieure du placard.
- Tracer des lignes à  $5\frac{1}{4}$ " (13,3 cm) de part et d'autre de l'axe central sur la face inférieure du placard.
- Utiliser une scie sauteuse ou une scie à guichet pour découper l'ouverture rectangulaire pour le passage du conduit d'évacuation.
- Répéter les étapes 1 à 3 pour la face inférieure du sommet du placard.

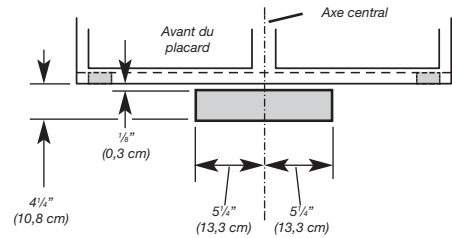


#### Évacuation par le mur

Découpage d'une ouverture rectangulaire de  $4\frac{1}{4}$ " x  $10\frac{1}{2}$ " (10,8 cm x 26,7 cm) dans le mur:

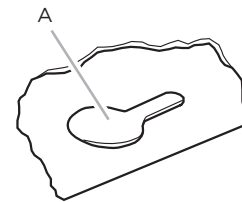
- Mesurer 2 lignes de  $\frac{1}{8}$ " (0,3 cm) et  $4\frac{1}{16}$ " (10,3 cm) en descendant à partir de la face inférieure du placard et marquer leur emplacement sur l'axe central du mur arrière.
- Tracer des lignes à  $5\frac{1}{4}$ " (13,3 cm) de part et d'autre de l'axe central sur le mur.

- Utiliser une scie sauteuse ou une scie à guichet pour découper l'ouverture rectangulaire dans le mur pour le passage du conduit d'évacuation.



## Installation

- Soulevez le capot de rangement sous l'armoire et déterminez l'emplacement final en le centrant sous l'armoire.
- Marquez sur la partie inférieure de l'armoire l'emplacement des 4 fentes de fixation de la serrure sur la hotte.
- Mettez la hotte de rangement sur une surface recouverte.



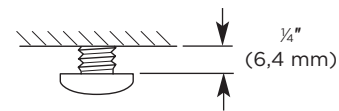
A. Trou allongé

- À l'aide d'un foret de  $\frac{1}{8}$ " (3 mm), percer 4 avant-trous tel qu'illustré.

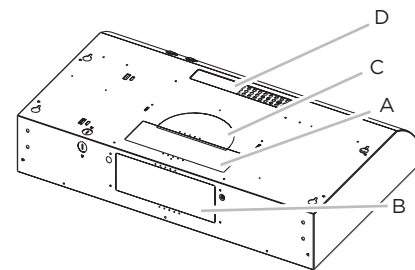


A. Perçage des avant-trous

- Installer les 4 vis de montage de 4,5 x 13 mm dans les avant-trous. Laisser un espace d'environ  $\frac{1}{4}$ " (6,4 mm) entre les têtes des vis et le placard pour faire glisser la hotte et la mettre en place.



- Selon la configuration de l'installation, ôter les opercules amovibles du conduit d'évacuation.



- A. Opercule amovible en demi-cercle du conduit d'évacuation
- B. Opercule amovible rectangulaire arrière du conduit d'évacuation
- C. Opercule amovible en demi-cercle du conduit d'évacuation
- D. Plaque de protection pour mode recyclage

**Installation avec connecteur de conduit par le haut (sortie par le mur ou le toit):**

Enlever l'opercule arrachable de l'ouverture rectangulaire supérieure.

**REMARQUE:** Pour les installations du système d'évacuation rond, enlever l'opercule arrachable de l'ouverture rond supérieure.

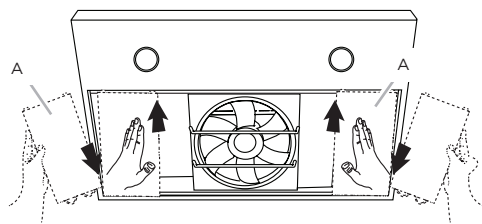
**Installations avec décharge à l'extérieur par l'arrière (sortie par le mur):**

Enlever l'opercule arrachable de l'ouverture arrière rectangulaire.

**Installation sans décharge à l'extérieur (recyclage) - Ne pas retirer les opercules.**

Ôter les deux vis de la plaque de protection pour mode recyclage et retirer la plaque. Voir la section "Installation sans décharge à l'extérieur (recyclage)" ci-dessus.

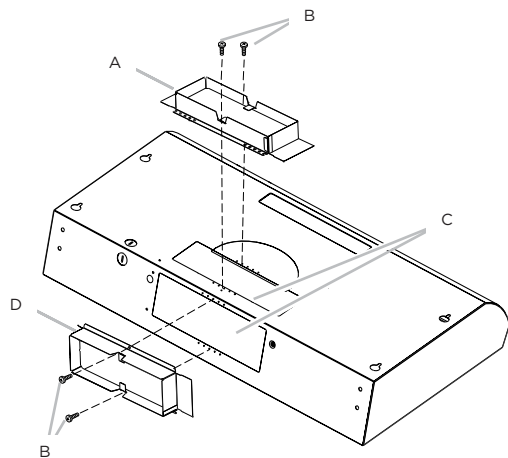
- Retirer les filtres à graisse. Voir la section "Entretien". Retirez d'abord le support et ensuite les panneaux latéraux. **REMARQUE:** vous obtiendrez une transition d'évacuation rectangulaire de 3¼" x 10" (8,3 x 25,4 cm) à l'intérieur de votre hotte. Retirez la transition d'évacuation rectangulaire de 3-¼" x 10" (8,3 x 25,4 cm) à l'intérieur de votre hotte.



A. Panneaux inférieurs

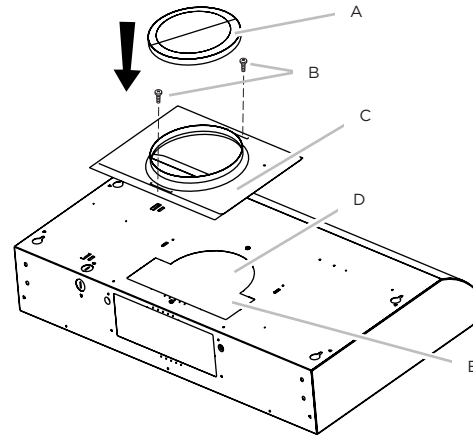
- Installez un connecteur de ventilation 3¼ x 10" (8,3 x 25,4 cm), selon l'installation du système de ventilation.

**REMARQUE:** On peut installer 3¼" x 10" (8,3 x 25,4 cm) jusqu'à 1" (2,5 cm) de chaque côté du centre de la hotte pour pouvoir installer les conduits décentrés.



A. Raccord de conduit vertical avec clapet  
 B. Vis 6,5 x 9,5 mm  
 C. Opercule amovible rectangulaire arrière du conduit d'évacuation  
 D. Raccord de conduit horizontal avec clapet

- Installations pour système d'évacuation rond: Installer une plaque de montage et un Clapet anti-reflux rond de 7" (17,8 cm) (voir la section "Accessoires").



A. Clapet anti-reflux rond de 7" (17,8 cm)

B. Vis

C. Plaque de montage de conduit rond de 7" (17,8 cm)

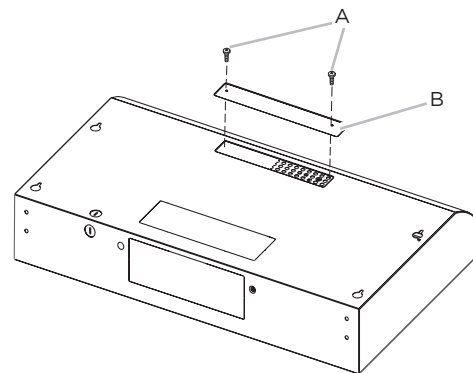
D. Opercule amovible en demi-cercle du conduit d'évacuation

E. Opercule amovible rectangulaire du conduit d'évacuation

- Si un clapet anti-retour est monté avec une bouche de décharge elle-même équipée d'un clapet anti-retour, vérifier qu'ils ne se gênent pas mutuellement. En cas d'interférence, retirer l'obturateur à registre du connecteur de conduit.

**Installation sans décharge à l'extérieur (recyclage) - Aucun dispositif de fixation de conduit**

Le retrait de la plaque de protection pour mode recyclage est nécessaire. Ôter les deux vis de la plaque de protection pour mode recyclage et retirer la plaque.



A. Vis (2)

B. Plaque de protection pour mode recyclage

## Connexion électrique

### ⚠ AVERTISSEMENT

RISQUE DE CHOC ÉLECTRIQUE.

### ⚠ AVERTISSEMENT

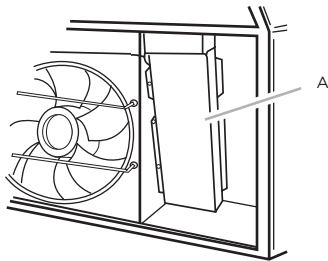
ETEIGNEZ CIRCUIT D'ALIMENTATION AU NIVEAU DU PANNEAU DE SERVICE AVANT DE RACCORDER CET APPAREIL. EXIGENCE 120 V C.A., CIRCUIT DE DÉRIVATION DE 15 V C.A., 20 HZ, DE 15 OU 20 A.

### INSTRUCTIONS DE MISE À LA TERRE

INSTRUCTIONS DE MISE À LA TERRE CET APPAREIL EST MUNI D'UNE BOÎTE DE JONCTION ÉLECTRIQUE À TROIS FILS, DONT L'UN (VERT/JAUNE) SERT À METTRE L'APPAREIL À LA TERRE. POUR VOUS PROTÉGER CONTRE LES CHOC ÉLECTRIQUES, VOUS DEVEZ RACCORDER LE FIL VERT/JAUNE AU FIL DE MISE À LA TERRE DU SYSTÈME ÉLECTRIQUE DE VOTRE MAISON. EN AUCUNE CIRCONSTANCE CE FIL DOIT ÊTRE COUPÉ OU ENLEVÉ.

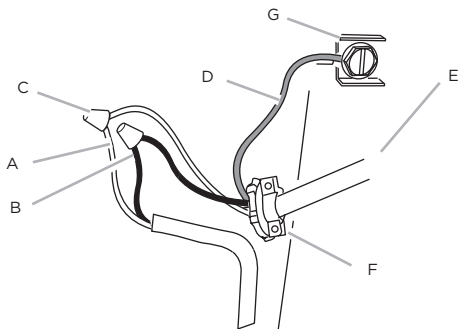
**Le fait de ne pas respecter cette directive peut entraîner la mort ou un choc électrique.**

- Retirez l'alvéole défonçable et le couvercle de la boîte de jonction et installez un connecteur de canalisation (listé dans cULus) dans la boîte de jonction.



A. Opercule arrachable

- Retirez l'alvéole défonçable et le couvercle de la boîte de jonction et installez un connecteur de canalisation (Listé dans cULus) dans la boîte de jonction.

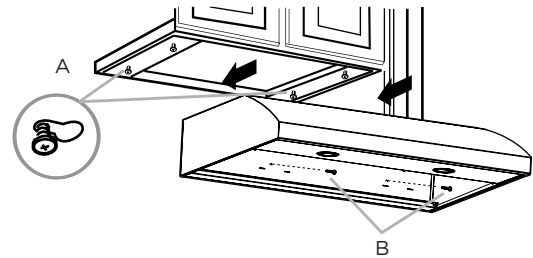


- A. Conducteurs blancs
- B. Conducteurs noirs
- C. Connecteur de fils (homologation UL)
- D. Fil de terre vert (ou nu)
- E. Ensemble d'accessoires - câble d'alimentation du domicile ou cordon d'alimentation
- F. Serre-câble homologué UL ou CSA de 1/2"
- G. Vis verte de liaison à la terre

- Connecter le conducteur de liaison à la terre vert (ou nu) du câble d'alimentation du domicile à la vis verte de liaison à la terre dans la boîte de connexion et bien serrer.
- Installer le couvercle du boîtier de connexion.

## Achever l'installation

- À l'aide d'au moins deux personnes, soulever la hotte et la placer à son emplacement final. Insérer suffisamment de câble électrique à travers le serre-câble de 1/2" (homologation UL ou CSA) pour établir les connexions avec la boîte de connexion. Serrer les vis du serre-câble.
- Positionner les trous allongés de la hotte par-dessus la tête des vis de montage. Puis pousser la hotte vers le mur pour engager la partie étroite des trous sur les vis de fixation. Serrer les vis de montage en s'assurant que les vis sont dans la partie étroite des trous de fixation des vis.



A. Vis de montage (4)  
B. Vis de sécurité

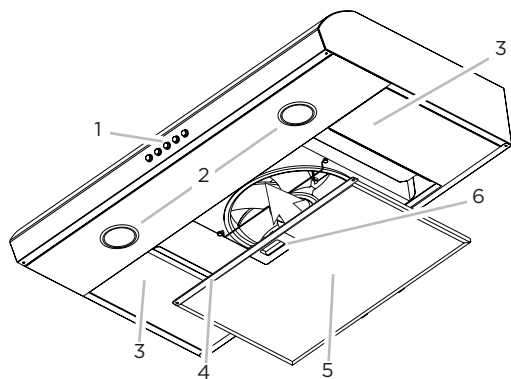
- Raccorder le circuit d'évacuation à la hotte. Assurer l'étanchéité et la solidité de l'installation des jointures avec des brides pour conduits ou du ruban adhésif à tuyauteries.
- Connect ventwork to hood. Seal joints with clamps to make secure and airtight.
- Vérifier que les clapets anti-retour fonctionnent correctement.
- Replacer les filtres.
- Vérifier que la hotte fonctionne.

### Si la hotte ne fonctionne pas:

- Vérifiez que le disjoncteur ne s'est pas déclenché ou que le fusible n'est pas grillé.
- Débranchez l'alimentation. Vérifiez que les raccords électriques ont été effectués correctement.

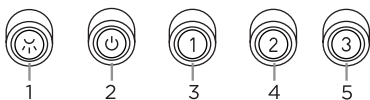
Pour utiliser votre nouvelle hotte de façon optimale, lisez la section intitulée "Entretien". Gardez vos instructions d'installations et d'utilisation près de la hotte pour pouvoir vous y référer facilement.

## Description de la hotte



- |                      |                                |
|----------------------|--------------------------------|
| 1. Commandes         | 4. Support                     |
| 2. DEL lampes        | 5. Filtre à graisse            |
| 3. Panneaux latéraux | 6. Poignée du filtre à graisse |

### Commandes



1. Bouton On/Off (marche/arrêt) de l'éclairage
2. Bouton On/Off (marche/arrêt) du ventilateur
3. Bouton de vitesse minimale du ventilateur
4. Bouton de vitesse moyenne du ventilateur
5. Bouton de vitesse maximale du ventilateur

**REMARQUE:** Les boutons de commandes s'allument lorsque la hotte est en marche.

### Utilisation de la lampe

Le bouton On/Off (marche/arrêt) de l'éclairage (1) commande le fonctionnement des deux lampes. Appuyer une fois pour On (marche) et une deuxième fois pour Off (arrêt).

### Utilisation du ventilateur

Le bouton On/Off (marche/arrêt) du ventilateur (2) met en marche ou éteint le ventilateur. Les boutons de vitesse du ventilateur (3, 4 et 5) règlent la vitesse souhaitée et contrôlent le niveau sonore pour un fonctionnement silencieux. On peut modifier la vitesse à tout moment pendant le fonctionnement du ventilateur en appuyant sur le bouton de vitesse du ventilateur souhaité.

- 1 Pour mettre le ventilateur en marche, appuyer sur le bouton de marche/arrêt du ventilateur (2) et sur le bouton de vitesse souhaité (3, 4 ou 5).
- 2 Pour éteindre le ventilateur, appuyer sur le bouton de marche/arrêt (2).

N'importe lequel des 3 boutons de vitesse du ventilateur peut être placé à la position On (marche) de façon simultanée. Le ventilateur fonctionne au bouton de vitesse la plus élevée qui a été enfoncé. Pour obtenir une vitesse de ventilateur inférieure, les boutons de vitesse supérieure ne doivent pas être enfoncés.

## Entretien

### Nettoyage

Ne pas vaporiser de nettoyants directement sur le panneau de contrôle lors du nettoyage de la Hotte.

La hotte doit être régulièrement nettoyée à l'intérieur et à l'extérieur (au moins à la même fréquence que pour l'entretien des filtres à graisse). Pour le nettoyage, utiliser un chiffon humidifié avec un détergent liquide neutre. Ne pas utiliser de produit contenant des abrasifs.

**NE PAS UTILISER D'ALCOOL!**

### ⚠ ATTENTION:

Il y a risque d'incendie si vous ne respectez pas les instructions concernant le nettoyage de l'appareil et le remplacement ou le nettoyage du filtre.

La responsabilité du constructeur ne peut en aucun cas être engagée dans le cas d'un endommagement du moteur ou d'incendie liés à un entretien négligé ou au non respect des consignes de sécurité précédemment mentionnées.

### Filtre à graisse

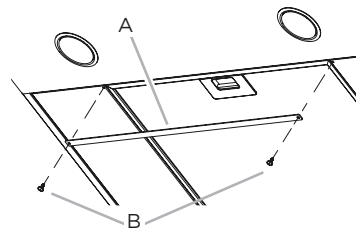
Il retient les particules de graisse issues de la cuisson.

Le filtre doit être nettoyé une fois par mois avec des détergents non agressifs, à la main ou dans le lave-vaisselle à faibles températures et cycle rapide.

Le lavage du filtre anti-graisse métallique au lave-vaisselle peut en provoquer la décoloration. Toutefois, les caractéristiques de filtrage ne seront en aucun cas modifiées.

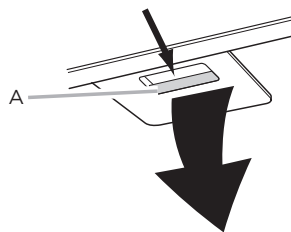
Pour démonter le filtre anti-graisse:

- 1 Retirer le support de filtre à graisse.



- A. Support de filtre à graisse  
B. Vis du support de filtre à graisse (2)

- 2 Tirer la poignée de décrochement à ressort.



- 3 Réinstaller le rebord arrière du filtre dans la rainure à l'arrière de la hotte.
- 4 Réinstaller le support bracket à l'aide des vis préalablement retirées à l'étape 1.

### Remplacement de la lampe à DEL

Les lumières DEL sont remplaçables par un technicien de service seulement. Voir les informations de contact de service: "Qui contacter".

### Filtres à charbon

Si le système n'a pas d'évacuation vers l'extérieur, l'air va circuler à travers des filtres à charbon jetables qui vont aider à éliminer fumée et odeurs.

Les filtres à charbon ne doivent pas être nettoyés.

Ils doivent être remplacés.

Les filtres à charbon sont fixés à l'intérieur de chaque filtre anti-graisse ( les instructions de montage sont incluses dans le kit de filtre à charbon ).

Les filtres à charbon doivent être remplacés après 4 à 6 mois en fonction de l'utilisation de la hotte.

**REMARQUE:** NE PAS rincer, ou mettre les filtres à charbon au lave-vaisselle.

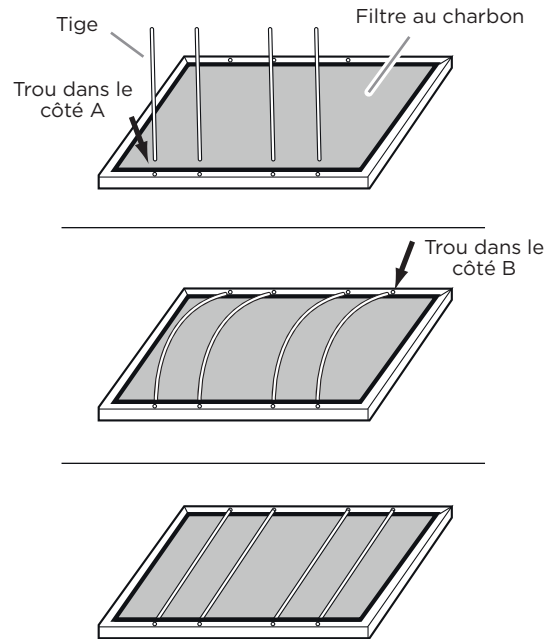
**REMARQUE:** Les filtres à charbon NE sont PAS inclus dans la hotte. Ils doivent être commandés chez votre revendeur. Commander le kit nécessaire en spécifiant votre modèle de hotte et sa largeur.

### Placement du filtre au charbon (Accessoires de recyclage d'air)

Placer le matelas du filtre au charbon sur le côté supérieur de chaque filtre anti-graisse.

Utiliser les ressorts fournis pour le fixer en place.

**REMARQUE:** Placez chaque tige dans le trou dans le côté A, puis dans le trou suivant dans le côté B du filtre à charbon comme image ci-dessous.



# ELICA North America

## GARANTIE DE DEUX ANS

### POUR OBTENIR UN DEPANNAGE SOUS GARANTIE

Le propriétaire doit présenter une preuve de la date d'achat. Garder une copie de votre preuve d'achat datée (ticket de caisse) de façon à pouvoir bénéficier du service après-vente sous garantie.

### GARANTIE PIECES DE RECHANGE ET MAIN D'OEUVRE

Pendant une période de deux (2) ans à partir de la date d'achat, Elica s'engage à fournir gratuitement les pièces de rechange ou les composants autres que les recharges ayant des défauts de fabrication.

Durant cette garantie de deux (2) ans, Elica fournira également gratuitement, toute la main d'oeuvre et le service à domicile pour remplacer d'éventuelles pièces défectueuses.

### CE QUE LA GARANTIE NE COUVRE PAS

- Dégât ou panne du produit causé par un accident ou un cas de force majeure tels que inondation, incendie ou tremblement de terre.
- Dégât ou panne du produit causé par modification du produit ou utilisation de pièces pas d'origine.
- Dégât ou panne du produit causé lors de la livraison, de la manipulation ou de l'installation.
- Dégât ou panne du produit causé par une mauvaise utilisation.
- Dégât ou panne du produit causé par un remplacement des fusibles ou une remise en fonction des disjoncteurs par le propriétaire.
- Dégât ou panne du produit causé par une utilisation du produit pour raison commerciale.
- Déplacement à domicile pour explication d'utilisation ou d'entretien.
- Ampoules, filtres métalliques ou au charbon et toute autre pièce consommable.
- Usure normale.
- Usure due à une mauvaise utilisation du propriétaire, un entretien incorrect, une utilisation de substances nettoyantes corrosives ou abrasives et produits de nettoyage pour four.

### QUI EST COUVERT

Cette garantie s'étend à l'acheteur original de produits achetés pour un usage domestique habituel en Amérique du Nord (Y compris Etats Unis, Guam, Porto Rico, les Iles virgin Américaines & le Canada).

Cette garantie n'est pas transférable et vaut uniquement pour l'acheteur original et ne s'étend pas aux propriétaires successifs du produit. Cette garantie vaut expressément en lieu et place de toute autre garantie, expresse ou sous-entendue, mais ne limite pas toute autre garantie sous-entendue de marchandage ou adaptation dans un but particulier et toute autre obligation de la part de Elica North America, étant entendu, cependant, que si la réclamation pour garanties sous-entendues n'est pas applicable aux yeux de la loi en vigueur, la durée de toute garantie sous-entendue émanant de la loi doit être limitée à deux (2) ans à partir de la date d'achat du produit ou à une période plus longue selon ce que dit la loi en vigueur.

Cette garantie ne couvre pas tout dégât particulier, accidentel et/ou consécutif, ni les pertes et profits, à charge du propriétaire, des ses clients et/ou des utilisateurs Des produits.

### QUI CONTACTER

Pour obtenir un Service Après-vente durant la Garantie ou pour toute autre Question liée au Service Après-vente:

Appeler:

- Service Après-vente autorisé Elica North America au (888) 732-8018
- Pour l'Est du Canada, composez le 1-888 651 2534 *Demandez le service après-vente*

**Contenido**

Aviso de seguridad importante .....	24
Requisitos eléctricos y de instalación .....	25
Antes de instalar la campana .....	25
Dimensiones del producto .....	25
Lista de materiales .....	26
Piezas suministradas .....	26
Piezas no suministradas .....	26
Métodos de ventilación .....	27
Instalación .....	28
Conexión eléctrica .....	29
Complete la instalación .....	30
Descripción de la campana .....	30
Control .....	30
Mantenimiento .....	31
Garantía .....	32

**APROBADO PARA APARATOS DE USO DOMÉSTICO  
SÓLO PARA USO DOMÉSTICO  
LEA Y GUARDE ESTAS INSTRUCCIONES**

**ANTES DE CONTINUAR, LEA LAS INSTRUCCIONES POR COMPLETO.  
LA INSTALACIÓN DEBE CUMPLIR TODA LA NORMATIVA LOCAL.**

**IMPORTANTE:** Guarde estas instrucciones para su uso por parte del inspector de electricidad local.

**INSTALADOR:** Entregue al propietario estas instrucciones junto con la unidad.

**PROPIETARIO:** Conserve estas instrucciones para futuras consultas.

**Advertencia de seguridad:** Antes de realizar el cableado de este aparato, desactive el circuito de energía eléctrica en el panel de servicio y desbloquee el panel.

**Requisito:** Circuito auxiliar de 120 V AC, 60 Hz. 15 ó 20 A.

## AVISO DE SEGURIDAD IMPORTANTE

### PRECAUCIÓN

SÓLO PARA USO DE VENTILACIÓN GENERAL. NO UTILIZAR PARA EXPULSAR VAPORES O MATERIALES PELIGROSOS O EXPLOSIVOS.

### ADVERTENCIA

PARA REDUCIR EL RIESGO DE FUEGO, DESCARGA ELÉCTRICA O LESIONES PERSONALES, RESPETE LO SIGUIENTE:

- A. Utilice esta unidad solamente en el modo que indica el fabricante. En caso de duda, póngase en contacto con el fabricante.
- B. Antes de reparar o limpiar la unidad, desconecte la alimentación en el panel de servicio y bloquee los medios de desconexión del panel de servicio para evitar la conexión accidental de la alimentación. Si no es posible bloquear los medios de desconexión del panel de servicio, coloque un dispositivo de advertencia que destaque como, por ejemplo, una etiqueta, en el panel de servicio.
- C. La instalación y el cableado eléctrico deben realizarlos personas cualificadas de acuerdo con las normativas y los estándares aplicables, incluida la construcción ignífuga.
- D. Es necesaria una ventilación suficiente para la correcta combustión y expulsión de gases por la salida de humos (Chimenea) del equipo de combustión de carburante para evitar el contratiro. Siga las directrices de fabricantes de equipos de calefacción y los estándares de seguridad como los publicados por la National Fire Protection Association (NFPA), American Society for Heating, Refrigeration and Air Conditioning Engineers (ASHRAE) y las normativas locales.
- E. Al efectuar orificios en una pared o techo, no dañe el cableado eléctrico y otras instalaciones ocultas.
- F. Los sistemas instalados mediante conducto deben tener ventilación con salida al exterior.

### PRECAUCIÓN

Para reducir el riesgo de fuego y conseguir una salida del aire correcta, asegúrese de conducir el aire hacia el exterior. No permita que el aire se expulse en espacios situados en el interior de muros, techos, desvanes, sótanos de pequeña altura o garajes.

### ADVERTENCIA

PARA REDUCIR EL RIESGO DE FUEGO, UTILICE SOLAMENTE TUBOS METÁLICOS.

Instale esta campana de acuerdo con los requisitos especificados.

### ADVERTENCIA

Para reducir el riesgo de fuego o descarga eléctrica, no utilice esta campana con ningún dispositivo externo en estado sólido para el control de la velocidad.

### ADVERTENCIA

PARA REDUCIR EL RIESGO DE INCENDIO OCASIONADO POR GRASA:

- a) No deje nunca ninguna unidad externa desatendida y con valores de fuego altos. La cocción puede causar humo o reboses de grasa que pueden prender fuego. Caliente el aceite a fuego lento o medio.
- b) Encienda siempre la campana cuando cocine a una temperatura alta o cuando realice flameados (por ejemplo, Crepas Suzette, cerezas flameadas, ternera a la pimienta flameada).
- c) Limpie con frecuencia los ventiladores. No permita que la grasa se acumule en el ventilador o filtro.
- d) Utilice un tamaño de sartén adecuado. Utilice siempre piezas de batería de cocina adecuadas al tamaño del elemento de superficie.

### ADVERTENCIA

PARA REDUCIR EL RIESGO DE LESIONES PERSONALES, EN CASO DE FUEGO OCASIONADO POR GRASA, TENGA EN CUENTA LO SIGUIENTE:<sup>a</sup>

- a) EXTINGA LAS LLAMAS con una tapa ajustada, una lámina para hacer galletas u otro tipo de bandeja metálica y apague el quemador de gas o elemento eléctrico. TENGA CUIDADO PARA EVITAR QUEMADURAS. Si las llamas no se extinguen inmediatamente, DESALOJE EL LUGAR Y LLAME A LOS BOMBEROS.
- b) NUNCA TOME UNA SARTÉN EN LLAMAS, podría sufrir quemaduras.
- c) NO UTILICE AGUA, incluidas bayetas o toallas húmedas ya que se produciría una violenta explosión de vapor.
- d) Utilice un extintor SÓLO si:
  - 1) Sabe que dispone de un extintor de la clase ABC y conoce su funcionamiento.
  - 2) El fuego es pequeño y se encuentra en la misma zona donde se inició.
  - 3) Ha llamado a los bomberos.
  - 4) Puede luchar contra el fuego teniendo una salida a su espalda.

<sup>a</sup>Basado en "Consejos de seguridad para fuegos de cocina" publicado por NFPA.



# REQUISITOS ELÉCTRICOS Y DE INSTALACIÓN

## IMPORTANTE

Cumpla todas las normativas y ordenanzas gubernamentales. Es responsabilidad del cliente:

- Ponerse en contacto con un instalador eléctrico cualificado.
- Asegurarse de que la instalación eléctrica es adecuada y en conformidad con National Electrical Code, ANSI/NFPA 70 (última edición\*) o CSA Standards C22.1-94, Canadian Electrical Code, Parte 1 y C22.2 No.0-M91 (última edición\*) y toda la normativa y las ordenanzas locales.
- Si la normativa lo permite y se utiliza un cable de toma a tierra independiente, se recomienda que un electricista cualificado determine si la difracción de onda de tierra es la adecuada.
- No ubique la toma a tierra en una tubería de gas.
- Si no está seguro de que la campana está correctamente conectada a tierra, consulte a un electricista cualificado.
- No coloque ningún fusible en el circuito neutral o con vuelta por tierra.

## IMPORTANTE

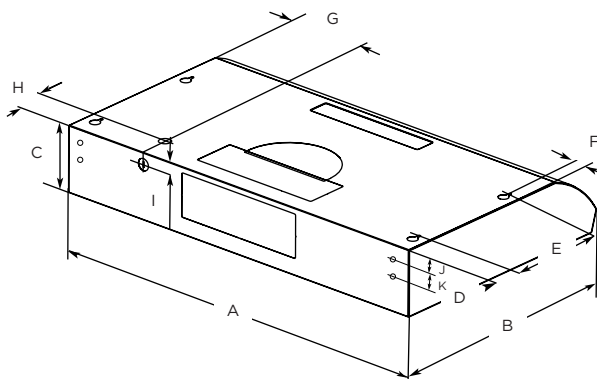
- Guarde las instrucciones de instalación para su uso por parte del inspector de electricidad.
- La campana debe estar conectada únicamente con hilo de cobre.
- La campana debe estar conectada directamente al desconectador con fusible (o disyuntor) mediante canal metálico de cables eléctricos.
- Los tamaños de cable deben cumplir los requisitos de la National Electrical Code, ANSI/NFPA 70 (última edición\*) o CSA Standards C22.1-94, Canadian Electrical Code, Parte 1 y C22.2 No.0-M91 (última edición\*) y toda la normativa y las ordenanzas locales.
- Es preciso colocar un conector de canal de cables enumerado en U.L. o C.S.A. en cada extremo del canal de cables de fuente de alimentación (en la campana y en la caja de conexiones).

## ANTES DE INSTALAR LA CAMPANA

- 1 Para obtener una circulación del flujo de aire más eficaz, utilice un tubo de tramo recto o el menor número posible de tubos acodados.  
**PRECAUCIÓN:** el conducto de ventilación solamente debe tener salida hacia la parte exterior del edificio.
- 2 Para realizar la instalación, se necesitan al menos dos personas.
- 3 La campana se ajusta mediante material adecuados para la mayoría de superficies; consulte a un instalador cualificado para comprobar si quedan perfectamente ajustados al armario o a la pared.  
No emplee tubos flexibles.
- 4 Las instalaciones en CONDICIONES CLIMÁTICAS FRÍAS deben tener instalado un regulador de contratiro adicional para minimizar el flujo de aire inverso y una rotura térmica no metálica para minimizar la conducción de temperaturas externas como parte de los tubos. El regulador debe encontrarse en la parte de aire frío de la rotura térmica. La rotura debe estar lo más cerca posible al lugar donde los tubos entran en la parte caliente de la casa.
- 5 Aire limpio: Las normativas locales para edificios pueden requerir el uso de sistemas de aire limpio cuando se utilizan sistemas de ventilación mediante tubos superiores al CFM especificado de movimiento de aire.
- 6 El CFM especificado varía de una zona a otra. Para conocer los requisitos específicos de su zona, consulte a un profesional de HVAC.

Se pueden obtener copias de los estándares enumerados en:  
 \* National Fire Protection Association Batterymarch Park Quincy, Massachusetts 02269  
 \*\* CSA International 8501 East Pleasant Valley Road Cleveland, Ohio 44131-5575

## DIMENSIONES DEL PRODUCTO



	Modelos	
	ENM230S1	ENM236S1
<b>A</b>	30" (76.2 cm)	36" (91.4 cm)
<b>B</b>	18 <sup>5</sup> / <sub>8</sub> " (47.3 cm)	
<b>C</b>	4 <sup>1</sup> / <sub>16</sub> " (12.5 cm)	
<b>D</b>	1 <sup>1</sup> / <sub>2</sub> " (3.8 cm)	
<b>E</b>	9" (22.9 cm)	
<b>F</b>	1" (2.5 cm)	
<b>G</b>	6 <sup>9</sup> / <sub>16</sub> " (16.7 cm)	
<b>H</b>	1 <sup>1</sup> / <sub>16</sub> " (5 cm)	
<b>I</b>	7/ <sub>8</sub> " (2.2 cm)	
<b>J</b>	1 <sup>1</sup> / <sub>16</sub> " (2.6 cm)	
<b>K</b>	1 <sup>1</sup> / <sub>16</sub> " (3.6 cm)	

# LISTA DE MATERIALES


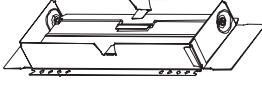

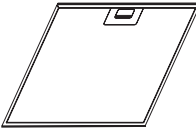

Remoción de la confección

## ⚠ PRECAUCIÓN

Quite la caja cuidadosamente, use guantes para protegerse contra los bordes afilados.

## ⚠ ADVERTENCIA

Quite la película de protección que cubre el producto antes de ponerlo en funcionamiento.

Partes Suministradas	Piezas	Partes Suministradas	Piezas
 <p>Ensamble de la campana con lámparas LED previamente instaladas</p>	1	 <p>Transición rectangular de 3¼" x 10" (8.3 x 25.4 cm)</p>	1
 <p>4.5x13 mm</p>	4	 <p>Filtro de grasa</p>	1
 <p>3.5x6.5 mm</p>	2		

### Partes no Suministradas

#### Herramientas necesarias

- Taladro
- Broca 1¼" (3.0 cm)
- Broca para orificios piloto ⅛" (3.0 mm)
- Lápiz
- Pinzas para cortar y pelar cable
- Cinta métrica, regla o flexómetro
- Pistola selladora y resanador a prueba de agua
- Destornillador plano
- Destornillador Phillips
- Caladora o sierra
- Tijeras para corte de metal

#### Accesorios opcionales

KIT	# Parte
<b>Kit Recirculante</b>	KIT0140997
<b>Kit de transición redonda de 7"</b>	KIT02722
<b>7" Kit de válvula redonda de contratiro</b>	KIT02723

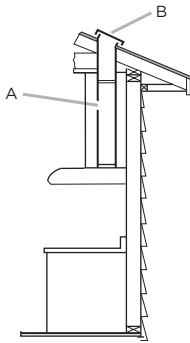
## Métodos de ventilación

Siga detenidamente las instrucciones expuestas en este manual.

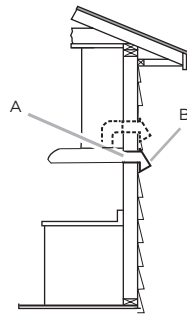
Se declina toda responsabilidad de cualquier inconveniencia, daños o incendios eventuales ocasionados por el incumplimiento de las instrucciones de este manual.

### Salida de escape

- Ducto rectangular de 3/4" x 10" a través de techo/pared (adquirir por separado).
- Cubierta de techo/pared (adquirir por separado)



Ventilación a través de techo



Ventilación a través de pared

### Preparación

No corte una vigueta o un perno a menos que sea absolutamente necesario. Si fuera necesario efectuar el corte, deberá construirse un marco de soporte.

Se suministra el material de ajuste necesario para fijar la campana a la mayoría de tipos de muro o techo.

No obstante, un técnico cualificado debe comprobar la idoneidad de los materiales de acuerdo con el tipo de muro o techo.

Antes de efectuar algún corte, asegúrese de que existe el espacio libre adecuado en el techo o muro para la expulsión del aire.

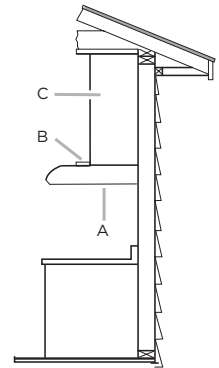
### Altura de instalación recomendada:

La altura de instalación de la campana sobre la estufa es según la preferencia del usuario. Cuanto más baja está la campana por encima de la estufa, más eficiente será la captura de olores de cocina, grasa y humo.

### Recirculación (sin conducto de descarga)

En caso de que no sea posible la descarga de gases y del vapor procedentes de la cocina al exterior, la campana se puede utilizar en la versión sin tubos (Recirculación). Únicamente para esta versión: adquiera el Kit Recirculante.

- Filtro de carbón
- Cubierta de la salida recirculante
- Gabinete



### ⚠ PRECAUCIÓN

PARA LA INSTALACIÓN DE ESTUFAS DE GAS: INSTALE ESTA CAMPANA DE TAL MANERA QUE LA CORNISA INFERIOR SE ENCUENTRE A 27" (68.6 CM) SOBRE LA SUPERFICIE DE COCCIÓN.

PARA LA INSTALACIÓN DE ESTUFAS ELÉCTRICAS/ INDUCCIÓN: INSTALE ESTA CAMPANA DE TAL MANERA QUE LA CORNISA INFERIOR SE ENCUENTRA A NO MENOS DE 24" (61 CM) SOBRE LA SUPERFICIE DE COCCIÓN Y NO MAYOR DE 30" (76.2 CM) SOBRE LA SUPERFICIE DE COCCIÓN.

POR FAVOR, LEA EL MANUAL DE INSTALACIÓN PARA UNA INSTALACIÓN ESPECÍFICA. Antes de seleccionar la campana, compruebe la altura del techo y la altura máxima de la campana.

## Prepare Ubicación

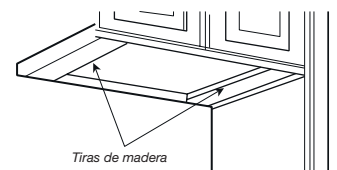
**NOTA:** Se recomienda que el sistema de ventilación sea instalado antes de que se instale la campana. Antes de hacer los cortes, asegúrese que haya suficiente espacio libre dentro del techo o la pared para el ducto de escape. Revise la altura de su techo y la altura máxima de la campana antes de seleccionarla.

- Desconecte el suministro de energía.
- Decida qué método de ventilación usar: a través del techo, de la pared o sin ducto.
- Seleccione una superficie plana para ensamblar la campana para cocina. Cubra dicha superficie.

### Sólo para gabinetes huecos

- Si los gabinetes tienen perfiles frontales, laterales o posteriores, hacer 2 soportes de madera con el ancho del perfil y ensámblelos a ambos lados de la parte inferior del gabinete. Ver las figuras anteriores para marcar los puntos de instalación.

**IMPORTANTE:** Alinee los soportes de madera de manera que estos cubran completamente ambos lados de la parte inferior del gabinete.

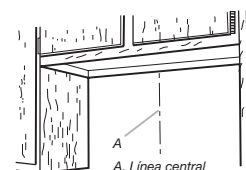


Tiras de madera

### Determine la ubicación del orificio de cableado

Corte un agujero con un diámetro de 1/4" (3.2 cm) para el acceso de cableado.

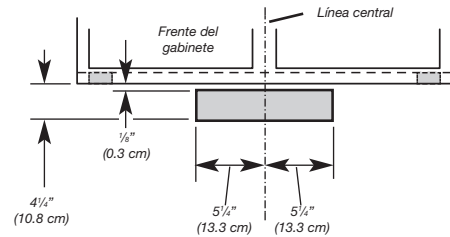
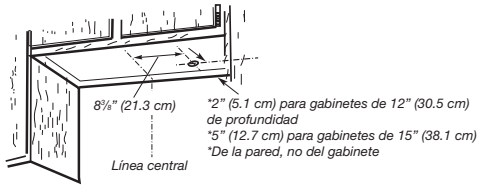
- Determine y marque una línea central vertical sobre la pared y en el gabinete en el área donde se hará la abertura de ventilación.



A. Línea central

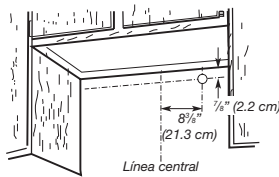
### Cableado a través de la parte superior:

- 1 Marque una línea de  $8\frac{3}{8}$ " (21.3 cm) desde la derecha de la línea central en la parte inferior del gabinete. Para gabinetes de 12" (30.5 cm) de profundidad, marque el punto en esta línea que está a 2" (5.1 cm) de la pared posterior. Para gabinetes de 15" (38.1 cm) de profundidad, marque el punto de esta línea a 5" (12.7 cm) de la pared posterior. Taladre un agujero con un diámetro de  $\frac{1}{4}$ " (3.2 cm) a través del gabinete en este punto.



### Cableado a través de la pared:

- 1 Marque una línea de  $8\frac{3}{8}$ " (21.3 cm) desde la derecha de la línea central en la parte inferior de la pared. Marque el punto en esta línea que está a  $\frac{7}{8}$ " (2.2 cm) de la parte inferior del gabinete. Taladre un agujero con un diámetro de  $\frac{1}{4}$ " (3.2 cm) a través de la pared posterior en este punto.



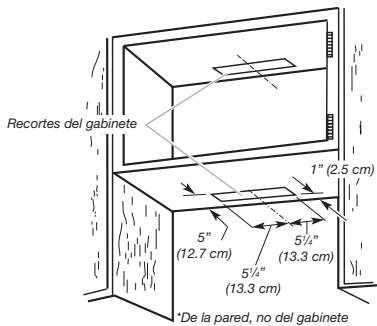
### Corte para aberturas de $3\frac{1}{4}$ " x 10"

#### Sistema de ventilación rectangular

#### Ventilación a través del techo

Para realizar un corte rectangular de  $4\frac{1}{4}$ " x  $10\frac{1}{2}$ " (10.8 cm x 26.7 cm) debajo de la parte superior e inferior del gabinete:

- 1 Marque líneas de  $\frac{1}{2}$ " (1.3 cm) y  $4\frac{3}{4}$ " (12.1 cm) desde la pared en la línea central de la parte inferior del gabinete.
- 2 Marque líneas de  $5\frac{1}{4}$ " (13.3 cm) de derecha e izquierda de la línea central en la parte inferior del gabinete.
- 3 Use una caladora o una sierra para cortar una abertura rectangular para ventilación.
- 4 Repita pasos 1-3 para el lado debajo de la parte superior del gabinete.



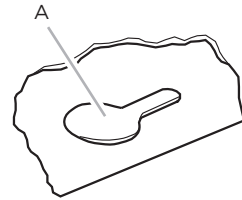
#### Ventilación a través de la pared

Para realizar un corte rectangular de  $4\frac{1}{4}$ " x  $10\frac{1}{2}$ " (10.8 cm x 26.7 cm) en la pared:

- 1 Marque 2 líneas al medir  $\frac{1}{8}$ " (0.3 cm) y  $4\frac{1}{16}$ " (10.3 cm) abajo de la parte inferior del gabinete y marque en la línea central en la pared trasera.
- 2 Marque líneas de  $5\frac{1}{4}$ " (13.3 cm) a la derecha e izquierda de la línea central de la pared.
- 3 Use una caladora o una sierra para cortar una abertura rectangular en la pared para ventilación.

## Instalación

- Levante la campana de cocina por debajo del gabinete y determine la ubicación final centrándolo por debajo del gabinete. Marque en la parte inferior del gabinete la ubicación de las 4 ranuras de montaje de la campana. Coloque la campana al alcance sobre una superficie cubierta.



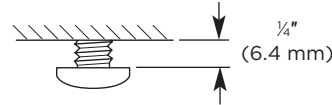
A. Ranura de montaje

- Utilice una broca de  $\frac{1}{8}$ " (3 mm) y taladre 4 agujeros piloto como se muestra en la imagen.

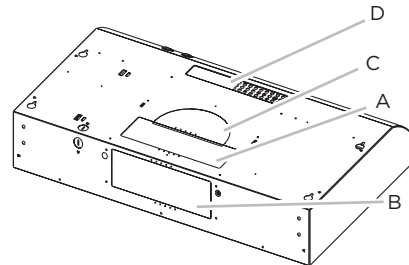


A. Taladre agujero piloto

- Instale 4 tornillos de montaje de 4.5 x 13 mm en los orificios piloto. Deje la cabeza del tornillo despegada aprox.  $\frac{1}{4}$ " (6.4 mm) de la base para deslizar la campana en su lugar.



- Remueva los precortes de la transición dependiendo del método de ventilación seleccionado.



- A. Precorte transición rectangular superior
- B. Precorte transición rectangular posterior
- C. Precorte transición redonda
- D. Cubierta salida recirculante

**Salida de ventilación superior (salida a través de pared o techo):** Para instalaciones de transición rectangular, remueva el precorte superior rectangular.

**NOTA:** Para instalaciones de transición redonda, remueva el precorte superior redondo.

### Salida de ventilación posterior (salida a través de pared):

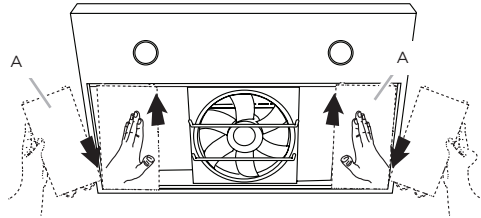
Remueva el precorte rectangular posterior.

### Instalación sin conducto de descarga (recirculación) - No se necesitan accesorios de ventilación.

Remueva los dos tornillos de la tapa de recirculación y déjelo a un lado. Vea la sección instalación sin conducto de descarga (recirculación).

- Remueva los filtros metálicos de grasa. Vea la sección de "mantenimiento". Primero remueva la estufa del filtro de grasa y después los paneles laterales.

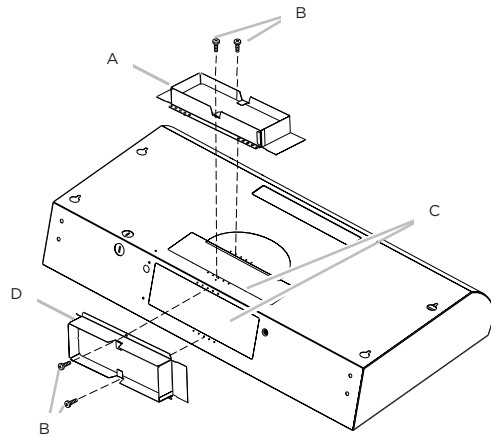
**NOTA:** Remueva la transición rectangular de 3 ¼" x 10" (8.3 x 25.4 cm) que tendrá dentro de su campana.



A. Paneles laterales

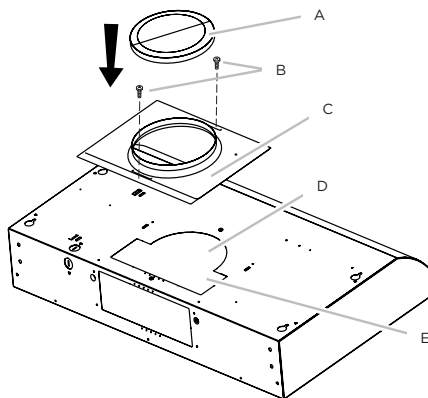
- Instale la transición de 3 ¼ x 10" (8.3 x 25.4 cm), dependiendo del método de ventilación que haya seleccionado.

**NOTA:** La transición se puede colocar hasta 1" del centro de la campana para acomodarse a instalaciones descentradas.



A. Conector vertical  
B. Tornillos de 6.5 x 9.5 mm  
C. Precorte de ventilación  
D. Conector horizontal

- Para instalación redonda: Instale la transición y válvula redonda de 7" (17.8 cm) (adquíeralo como accesorio).

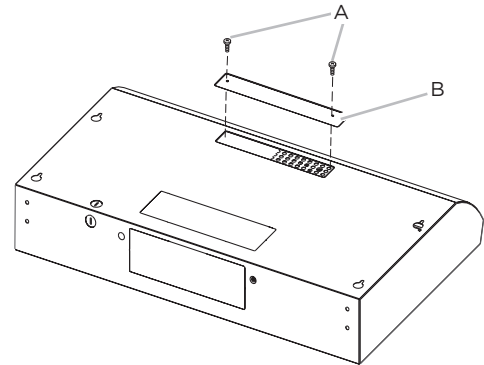


A. Válvula redonda de 7" (17.8 cm)  
B. Tornillos metálicos  
C. Transición redonda de 7" (17.8 cm)  
D. Precorte de ventilación redonda  
E. Precorte de ventilación rectangular

- Si la válvula de ventilación es instalada con una cubierta de pared con válvula, asegúrese de que ambas no interfieran entre sí. Remueva la cubierta de la transición si interfieren.

### Instalación sin conducto de descarga (recirculación) - No se necesitan accesorios de ventilación.

Se debe remover la cubierta de la salida recirculante. Remueva la cubierta quitando los 2 tornillos.



A. Tornillos (2)  
B. Cubierta de la salida recirculante

## Conexión eléctrica

**⚠ ADVERTENCIA**  
PELIGRO DE CHOQUE ELÉCTRICO.

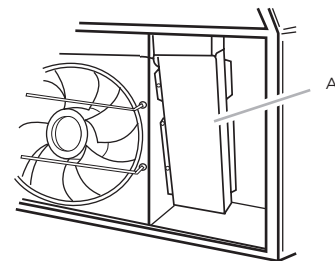
**⚠ ADVERTENCIA**  
ANTES DE REALIZAR EL CABLEADO DE ESTE APARATO, DESACTIVE EL CIRCUITO DE ENERGÍA ELÉCTRICA EN EL PANEL DE SERVICIO.  
SE REQUIERE UN CIRCUITO 120 VAC, 15 Ó 20 A.

### INSTRUCCIONES DE TOMA ELÉCTRICA

ESTE APARATO DISPONE DE UNA CAJA DE CONEXIONES ELÉCTRICAS CON 3 CABLES, UNO DE LOS CUALES (VERDE Y AMARILLO) SIRVE COMO TOMA DE TIERRA PARA EL APARATO PARA PROTEGERSE DE DESCARGAS ELÉCTRICAS, EL CABLE VERDE Y AMARILLO DEBE ESTAR CONECTADO AL CABLE DE TOMA A TIERRA DE SU SISTEMA DOMÉSTICO DE ELECTRICIDAD Y BAJO NINGUNA CIRCUNSTANCIA DEBE CORTARSE O ELIMINARSE.

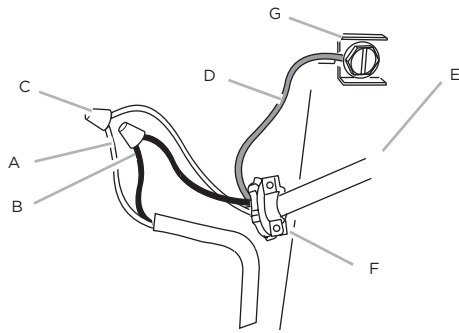
**De lo contrario, podría tener como resultado una descarga eléctrica o la muerte.**

- Retire el pestillo extraíble y la tapa de la caja de conexiones e instale el conector de canal de cables (enumerado en cULUS) en la caja de conexiones.



A. Cubierta de caja eléctrica

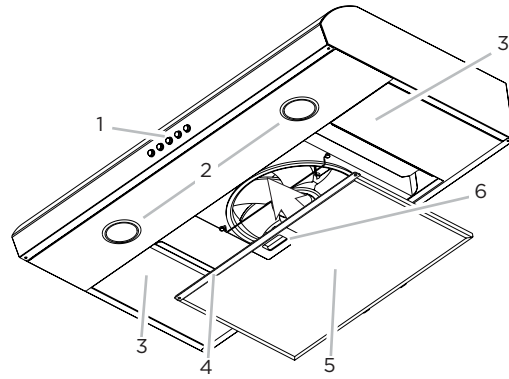
- Coloque los 3 cables (Negro, blanco y verde) de acuerdo con el National Electrical Code y la normativa y las ordenanzas locales en el canal de cables de ½" del panel del servicio a la caja de conexiones.



- A. Alambres blancos
- B. Alambres negros
- C. Conectores de alambres aprobados por UL
- D. Alambres verdes (o desnudos) y amarillos - verdes de puesta a tierra
- E. Cable de alimentación o kit de accesorios del cable de alimentación
- F. UL listed or CSA approved 1/2" strain relief
- G. Tornillo de tierra verde

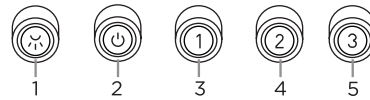
- Conecte el cable negro del panel de servicio o rojo en la caja de terminales, blanco con blanco y verde con verde-amarillo.
- Cierre la tapa de la caja de conexiones.

## Descripción de la campana



- 1. Controles
- 2. Lámparas LED
- 3. Paneles laterales
- 4. Estufa del filtro de grasa
- 5. Filtro de grasa
- 6. Manija del filtro de grasa

### Controles



- 1. Botón de encendido/apagado de la luz
- 2. Botón de encendido/apagado del motor
- 3. Botón de la velocidad mínima del motor
- 4. Botón de la velocidad media del motor
- 5. Botón de la velocidad máxima del motor

**NOTA:** Los botones del Panel de Control se encenderán mientras la campana esté encendida.

### Funcionamiento de la luz

El botón de encendido/apagado de la luz (1) controla ambas luces. Presione una vez "encendido" y nuevamente para "apagado".

### Funcionamiento del motor

El botón de encendido/apagado del motor (2) enciende y apaga el motor.

Los botones de la velocidad del motor (3, 4 y 5) establece la velocidad deseada y controla el nivel de sonido para un funcionamiento silencioso.

La velocidad puede cambiar en cualquier momento durante el funcionamiento de la campana al presionar el botón con la velocidad deseada del motor.

- 1 Para encender el motor, presione el botón de encendido/apagado del motor (2) y la velocidad deseada con los botones de velocidad (3, 4 ó 5).
- 2 Para apagar el motor, presione el botón de encendido/apagado del motor (2).

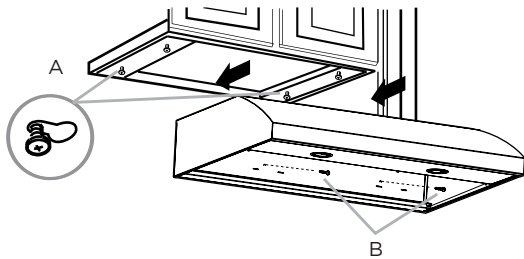
Cualquiera de los tres botones de velocidad del motor, pueden estar en la posición de "encendido" al mismo tiempo.

El motor operará la velocidad máxima que se encuentre presionada.

Para velocidades menores del motor, los botones de mayor velocidad no deben estar presionados.

## Complete la instalación

- Levante la campana en la posición final. Alimentar suficiente cable eléctrico a través de la 1/2" UL o aprobado CSA aprobado para realizar las conexiones en la caja de terminales. Apriete los tornillos de seguridad.
- Deslice la parte superior de la campana al gabinete, ajuste los tornillos de montaje. Asegúrese de que la cabeza de los tornillos estén en la parte angosta de los orificios de instalación.



- A. Tornillos de montaje (4)
- B. Tornillos de seguridad

- Apriete los tornillos. Asegúrese de que la cabeza de los tornillos quede en la parte angosta de las ranuras.
- Vuelva a colocar los filtros. Verifique el funcionamiento de la campana.

### Si la campana extractora no funciona:

- Compruebe si el disyuntor está desconectado o se han fundido los fusibles.
- Desconecte el suministro eléctrico. Compruebe si el cableado es correcto.

Para conseguir el funcionamiento más eficaz de la nueva campana extractora, lea la sección "Mantenimiento".

Para disponer de una referencia sencilla, siga las Instrucciones de instalación y la Guía de uso y mantenimiento.

## Limpieza

La campana debe ser limpiada con frecuencia tanto externamente como internamente (con la misma frecuencia con la que se realiza el mantenimiento de los filtros de grasa). Para la limpieza, utilice un paño impregnado de detergente líquido neutro. No utilice productos que contengan abrasivos. **NO UTILICE ALCOHOL!**

### ⚠️ ATENCIÓN:

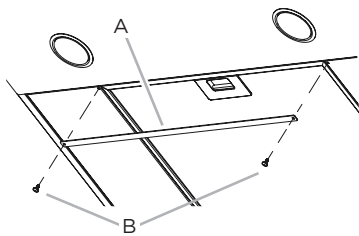
De no observarse las instrucciones dadas para limpiar el aparato y sustituir el filtro, puede producirse un incendio. El fabricante recomienda leerlas y respetarlas atentamente. El fabricante no se hace responsable por los daños al motor o los incendios provocados en el aparato debido a intervenciones de mantenimiento incorrectas o al incumplimiento de las normas de seguridad proporcionadas.

## Filtro de grasa

El filtro de grasa retiene las partículas de grasa producidas cuando se cocina. Debe limpiarse una vez al mes con detergentes no agresivos, manualmente o bien en lavavajillas a bajas temperaturas y con ciclo breve. Con el lavado en el lavavajilla el filtro antigrasa metálico puede desteñirse pero sus características de filtrado no cambian absolutamente.

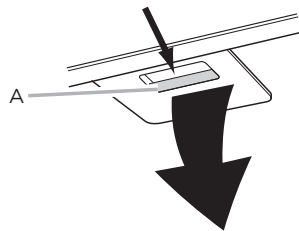
Para remover el filtro de grasa:

- 1 Remueva la estufa del filtro de grasa.



- A. Soporte
- B. Tornillos del soporte del filtro de grasa (2)

- 2 Remueva cada filtro jalando la manija y después bajando el filtro.



- 3 Para reinstalar el filtro de grasa, vuelva a subir el filtro desde el borde posterior.
- 4 Vuelva a colocar la estufa usando los tornillos que fueron previamente retirados en el paso 1.

## Reemplazo de las lámparas LED

Las luces LED son reemplazables sólo por un técnico de servicio. Vea la sección "A quién contactar" para la información de contacto del servicio.

## Filtro de carbón

Si el modelo no puede expulsar el aire al exterior, el aire deberá ser filtrado a través de filtros de carbón desechables que ayudan a remover el humos y los olores.

Los filtros de carbón no son lavables.

Deben ser reemplazados.

Los filtros de carbón se montan sobre los filtros de grasa de su campana. Deben ser reemplazados cada 4-6 meses (dependiendo del uso de la campana).

**NOTA:** No enjuagar ni colocar los filtros de carbón en lavavajillas.

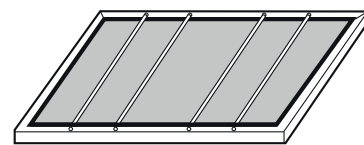
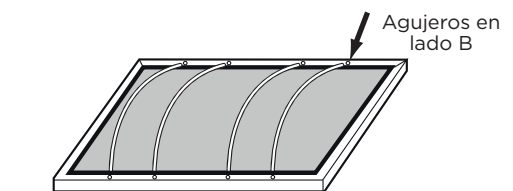
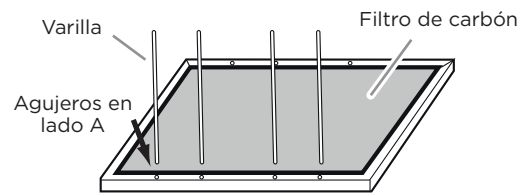
**NOTA:** Los filtros de carbón no están incluidos en su campana. Deben ser solicitados a su proveedor.

Ordene el kit necesario especificando su modelo de campana y su tamaño.

## Colocación del filtro de carbón (Accesorios Recirculación)

- Posicione el filtro de carbón sobre la parte superior del filtro de grasa.
- Use las varillas para ajustarlo en su lugar.

**NOTA:** Coloque cada varilla dentro de los agujeros en lado A y después dentro de su respectivo agujero en lado B del filtro de carbón, como en la imagen que se muestra abajo.



# ELICA North America

## GARANTÍA LIMITADA DE DOS AÑOS

### PARA OBTENER SERVICIO DENTRO DE GARANTÍA

El propietario debe presentar su recibo original de la compra. Guarde por favor una copia de su recibo de compra como prueba, para recibir el servicio dentro del periodo de garantía.

### PARTES Y GARANTÍA DE SERVICIO

Por el periodo de dos (2) años desde la fecha original de la compra, Elica proveerá, gratuitamente, partes no-consumibles o componentes que hayan fallado debido a defectos de fabricación. Durante estos dos (2) años de garantía limitada, Elica también proveerá gratuitamente, todo el servicio en casa y mano de obra necesaria para reemplazar cualquier parte defectuosa.

### QUÉ NO ESTÁ CUBIERTO

- Daños o fallas del producto causados por accidente o actos de Dios, tales como inundaciones incendios o terremotos.
- Daños o fallas causadas por alteración del producto o por el uso de partes no-originales.
- Daños o fallas del producto causados durante la entrega, manejo o instalación.
- Daños o fallas del producto causados por abuso del usuario.
- Daños o fallas del producto causados por reemplazo de fusibles dañados o reseteo de interruptor de circuito.
- Daño o fallas causados por el uso del producto en un ambiente comercial (no doméstico).
- Viajes de servicio para proporcionar orientación de uso o instalación.
- Bombillas, filtros de carbón o metal y cualquier otra parte consumible.
- Desgaste normal.
- Desgaste terminal debido a abusos del usuario, mantenimiento inadecuado, uso de productos / toallas de limpieza corrosivos o abrasivos y por uso de limpiadores para hornos.

### QUIÉN ESTÁ CUBIERTO

Esta garantía se extiende al comprador original de productos adquiridos para uso residencial en Norte América (incluyendo Estados Unidos, Guam, Puerto Rico, Islas Vírgenes de EU y Canadá).

Esta garantía no es transferible y aplica solamente al comprador original y no se extiende a propietarios subsecuentes del producto. Esta garantía se expresa en lugar de otras garantías, expresadas o implicadas, incluyendo, pero no limitada a ninguna garantía implicada de comercialización o adaptada para propósitos particulares y cualquier otra obligación por parte de Elica North America, considerando, sin embargo, que si la negación de garantías implícitas es inefectiva bajo la ley aplicable, la duración de cualquier garantía implícita será limitada a dos (2) años desde la fecha original de compra o por el periodo necesario como sea requerido por la ley aplicable.

Esta garantía no cubre cualquier daño especial, incidental y/o consecuente, ni pérdidas de ganancias, sufridas por el comprador original, sus clientes y/o usuarios del producto.

### A QUIÉN CONTACTAR

Para obtener Servicio bajo Garantía o para cualquier pregunta relacionada a Servicio:

Favor de llamar a:

- Servicio Elica North America, llame a 1-888 732 8018
- Para el Este de Canadá, llame a Servicios AGI a 1-888 651 2534. Pregunte por el *Departamento de Servicio al Cliente*
- [elica@servicepower.com](mailto:elica@servicepower.com)