



## NEMI UNDER CABINET

COMFORT SERIES



LED light

Nemi sports a slender 5" height and soft curves, designed to modernize and perfectly fit kitchens where space is premium. Nemi features a 3-speed, 280 CFM internal blower, which provides sufficient ventilating power for most kitchens. The backlit push button controls allow for easy adjustment of blower speeds and dual LED lamps. A single dishwasher-safe anodized aluminum mesh filter is easy to clean. Available in 30" or 36" widths, Nemi is designed for standard ducted installation, and can be installed as a recirculating system, using the Recirculating Kit, available as an accessory. For design versatility, Nemi is available in a choice of stainless steel, black, white or biscuit finishes.

### Dimensions | Models

30"W x 18 3/4"D x 5"H | ENM230S1  
NEMI 30"

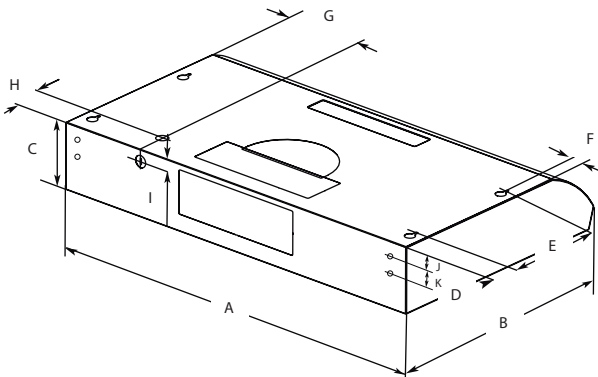
36"W x 18 3/4"D x 5"H | ENM236S1  
NEMI 36"



## FEATURES

Size (in) & Type	30" or 36" wide Under cabinet
Finish	Stainless Steel
Controls	Backlit Push Button- 3 Speed
Illumination	2 LED
Installation Type	Recirculating Kit sold separately
Blower Type	Speed 1, 110 CFMs Speed 2, 200 CFMs Speed 3, 280 CFMs
Filter Type	Dishwasher- Safe, Aluminum Mesh
Noise (sones):	Min: 1.5, Max: 4.7 Sones
Duct Transition	Rectangular 3" x 1/4" x 10" with Back Draft Damper
Electrical	120 Volts, 60 Hertz, 115 Watts, 1 Amps

## Line Drawing



## PLUS



## LED LIGHT

LED lighting is undoubtedly the smartest solution in terms of energy saving. Expected life time of over 20.000 hours, represents the most remarkable advantage of LED light bulbs.

## Accessories

## No Return Valve 7"

CODE: KIT02723 / (30", 36")

## Duct Transition 7"

CODE: KIT02722 / (30", 36")

	Models	
	ENM230S1	ENM236S1
<b>A</b>	30 " (76.2 cm)	36 " (91.4 cm)
<b>B</b>	18 $\frac{5}{8}$ " (47.3 cm)	
<b>C</b>	4 $\frac{1}{16}$ " (12.5 cm)	
<b>D</b>	1 $\frac{1}{2}$ " (3.8 cm)	
<b>E</b>	9 " (22.9 cm)	
<b>F</b>	1" (2.5 cm)	
<b>G</b>	6 $\frac{9}{16}$ " (16.7 cm)	
<b>H</b>	1 $\frac{1}{16}$ " (5 cm)	
<b>I</b>	$\frac{7}{8}$ " (2.2 cm)	
<b>J</b>	1 $\frac{1}{16}$ " (2.6 cm)	
<b>K</b>	1 $\frac{1}{16}$ " (3.6 cm)	