



Use, Care, and Installation Guide
Guide d'utilisation, d'entretien et d'installation
Guía de instalación, uso y mantenimiento

READ AND SAVE THESE INSTRUCTIONS
LISEZ CES INSTRUCTIONS ET CONSERVEZ-LES
LEA Y GUARDE ESTAS INSTRUCCIONES



English
French
Spanish

Contents	page	3
Sommaire	page	22
Contenido	página	42

English

Contents

Important safety Notice	4
Electrical & Installation requirements	6
Electrical requirements.....	6
Before installing the hood.....	6
List of Materials	7
Parts supplied.....	7
Parts not supplied.....	7
Dimensions and Clearances	8
Ducting Options and Examples	9
Venting methods	9
Preparation	9
Installation	10
Installation - Ductless (Recirculating) version	10
Description of the hood & Controls	16
Controls	17
User Servicing and Maintenance Instructions	19
Cleaning	19
Grease Filter.....	19
Replacing the light bulb	20
Charcoal Filter	20

**APPROVED FOR RESIDENTIAL APPLIANCES
FOR RESIDENTIAL USE ONLY
READ AND SAVE THESE INSTRUCTIONS**

PLEASE READ ENTIRE INSTRUCTIONS BEFORE PROCEEDING.

INSTALLATION MUST COMPLY WITH ALL LOCAL CODES.

IMPORTANT: Save these Instructions for the Local Electrical Inspector's use.

INSTALLER: Please leave these Instructions with this unit for the owner.

OWNER: Please retain these instructions for future reference.

Safety Warning: Turn off power circuit at service panel and lock out panel, before wiring this appliance.

Requirement: 120 V AC, 60 Hz. 15 or 20 A Branch Circuit

READ AND SAVE THESE INSTRUCTIONS

Important safety Notice

CAUTION

FOR GENERAL VENTILATING USE ONLY. DO NOT USE TO EXHAUST HAZARDOUS OR EXPLOSIVE MATERIALS OR VAPOURS.

WARNING

TO REDUCE THE RISK OF FIRE, ELECTRIC SHOCK, OR INJURY TO PERSONS, OBSERVE THE FOLLOWING:

A. Use this unit only in the manner intended by the manufacturer. If you have questions, contact the manufacturer.

B. Before servicing or cleaning the unit, switch power off at service panel and lock service panel disconnecting means to prevent power from being switched on accidentally. When the service disconnecting means cannot be locked, securely fasten a prominent warning device, such as a tag, to the service panel.

C. Installation Work and Electrical Wiring Must Be Done By Qualified Person(s) In Accordance With All Applicable Codes & Standards, Including Fire-rated Construction.

D. Sufficient air is needed for proper combustion and exhausting of gases through the flue (Chimney) of fuel burning equipment to prevent back-drafting. Follow the heating equipment manufacturers guideline and safety standards such as those published by the National Fire Protection Association (NFPA), the American Society for Heating, Refrigeration and Air Conditioning Engineers (ASHRAE), and the local code authorities.

E. When cutting or drilling into wall or ceiling, do not damage electrical wiring and other hidden utilities.

F. Ducted systems must always be vented to the outdoors.

CAUTION

To reduce risk of fire and to properly exhaust air, be sure to duct air outside - do not vent exhaust air into spaces within walls, ceilings, attics, crawl spaces, or garages.

WARNING

TO REDUCE THE RISK OF FIRE, USE ONLY METAL DUCT WORK.

Install this hood in accordance with all requirements specified.

WARNING

To Reduce The Risk Of Fire Or Electric Shock, Do Not Use This Hood With Any External Solid State Speed Control Device.

WARNING

TO REDUCE THE RISK OF A RANGE TOP GREASE FIRE.

- a) Never leave surface units unattended at high settings. Boilovers cause smoking and greasy spillovers that may ignite. Heat oils slowly on low or medium settings.
- b) Always turn hood ON when cooking at high heat or when flambeing food (I.e. Crepes Suzette, Cherries Jubilee, Peppercorn Beef Flambe').
- c) Clean ventilating fans frequently. Grease should not be allowed to accumulate on fan or filter.
- d) Use proper pan size. Always use cookware appropriate for the size of the surface element.

WARNING

TO REDUCE THE RISK OF INJURY TO PERSONS, IN THE EVENT OF A RANGE TOP GREASE FIRE, OBSERVE THE FOLLOWING: *)

- a) SMOTHER FLAMES with a close-fitting lid, cookie sheet, or other metal tray, then

turn off the gas burner or the electric element. **BE CAREFUL TO PREVENT BURNS.** If the flames do not go out immediately, **EVACUATE AND CALL THE FIRE DEPARTMENT.**

- b) NEVER PICK UP A FLAMING PAN - you may be burned.
 - c) DO NOT USE WATER, including wet dishcloths or towels - a violent steam explosion will result.
 - d) Use an extinguisher **ONLY** if:
 - 1) You know you have a class ABC extinguisher, and you already know how to operate it.
 - 2) The fire is small and contained in the area where it started.
 - 3) The fire department is being called.
 - 4) You can fight the fire with your back to an exit.
- *) Based on "Kitchen Firesafety Tips" published by NFPA.

OPERATION

a. Always leave safety grills and filters in place. Without these components, operating blowers could catch onto hair, fingers and loose clothing.

The manufacturer declines all responsibility in the event of failure to observe the instructions given here for installation, maintenance and suitable use of the product. The manufacturer further declines all responsibility for injury due to negligence and the warranty of the unit automatically expires due to improper maintenance.

Electrical & Installation requirements

Electrical requirements

IMPORTANT

Observe all governing codes and ordinances.

It is the customer's responsibility:

To contact a qualified electrical installer.

To assure that the electrical installation is adequate and in conformance with National Electrical Code, ANSI/NFPA 70 — latest edition*, or CSA Standards C22.1-94, Canadian Electrical Code, Part 1 and C22.2 No.0-M91 - latest edition** and all local codes and ordinances.

If codes permit and a separate ground wire is used, it is recommended that a qualified electrician determine that the ground path is adequate.

Do not ground to a gas pipe.

Check with a qualified electrician if you are not sure range hood is properly grounded. Do not have a fuse in the neutral or ground circuit.

IMPORTANT

Save Installation Instructions for electrical inspector's use.

The range hood must be connected with copper wire only.

The range hood should be connected directly to the fused disconnect (Or circuit breaker) box through metal electrical conduit.

Wire sizes must conform to the requirements of the National Electrical Code ANSI/NFPA 70 — latest edition*, or CSA Standards C22.1-94, Canadian Electrical Code Part 1 and C22.2 No. 0-M91 - latest edition** and all local codes and ordinances.

A U.L.- or C.S.A.-listed conduit connector must be provided at each end of the power supply conduit (at the range hood and at the junction box).

Copies of the standards listed may be obtained from:

* National Fire Protection Association
Batterymarch Park Quincy, Massachusetts 02269

** CSA International 8501 East Pleasant Valley
Road Cleveland, Ohio 44131-5575

Before installing the hood

1. For the most efficient air flow exhaust, use a straight run or as few elbows as possible.
CAUTION: Vent unit to outside of building, only.
2. At least two people are necessary for installation. Wear gloves to protect against sharp edges.
3. Fittings material is provided to secure the hood to most types of walls/ceilings, consult a Qualified Installer, check if they perfectly fit with your cabinet/wall.
4. COLD WEATHER installations should have an additional backdraft damper installed to minimize backward cold air flow and a nonmetallic thermal break to minimize conduction of outside temperatures as part of the ductwork. The damper should be on the cold air side of the thermal break. The break should be as close as possible to where the ducting enters the heated portion of the house.
5. Make up air: Local building codes may require the use of Make-Up Air Systems when using Ducted Ventilation Systems greater than specified CFM of air movement.
The specified CFM varies from locale to locale. Consult your HVAC professional for specific requirements in your area.

List of Materials

Parts supplied

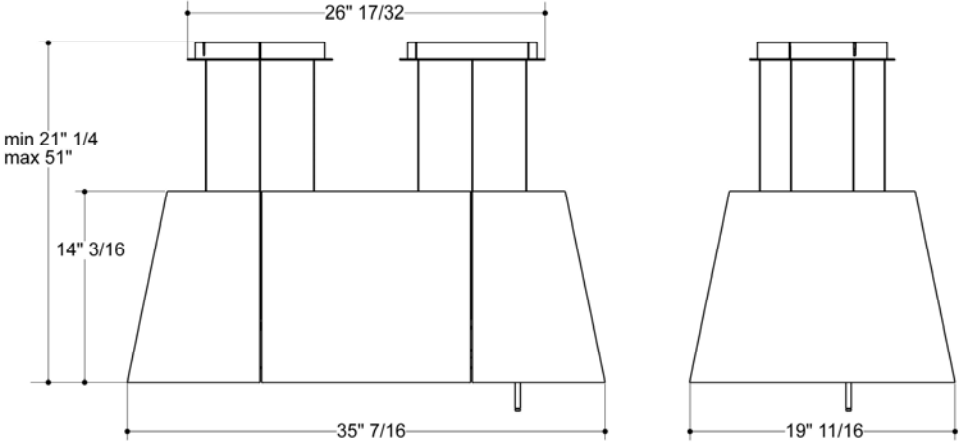
- Blower unit housing x 2
- Aesthetic cover x 1
- Glass x 1
- Stainless steel mesh filter x 2
- Halogen light bulb x 2

- Hardware Packet:
 - Support bracket with cables and hooking brackets x 2
 - Cover x 2
 - Template
 - Use, Care and Installation Guide
 - Torx adapter T10 x 1
 - Torx adapter T20 x 1
 - 5x45 screws x 6 (To attach support bracket to ceiling)
 - 3,5x6,5 screws x 8 (2 To attach j-box to support bracket, 6 for fixing hood to supporto bracket)
 - Knob x 6 (For fixing the glass)
 - Crescent-shaped washers x 6 (For fixing the glass)
 - Control lever

Parts not supplied

- Conduit and all tools required for installation.

Dimensions and Clearances



Ducting Options and Examples

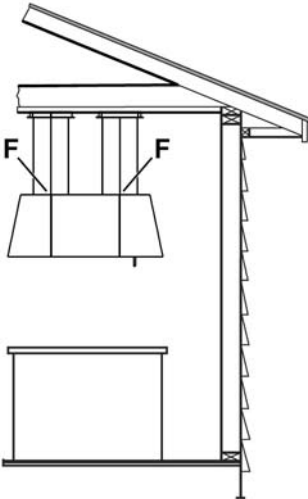
Closely follow the instructions set out in this manual.

All responsibility, for any eventual inconveniences, damages or fires caused by not complying with the instructions in this manual, is declined.

Venting methods

The hood is supplied in the **Ductless (Recirculating) version** and is used without an extracted fumes discharger conduit .

Fumes and steam are recycled through the **F** deflector.



Ductless (Recirculating) version

Preparation

Do not cut a joist or stud unless absolutely necessary. If a joist or stud must be cut, then a supporting frame must be constructed.

Fittings material is provided to secure the hood to most types of walls/ceilings.

However, a qualified technician must verify suitability of the materials in accordance with the type of wall/ceiling.

Before making cutouts, make sure there is proper clearance within the ceiling or wall for exhaust vent.

Hood installation height above cooktop is the users preference. The lower the hood is above the cooktop, the more efficient the capturing of cooking odors, grease and smoke.

CAUTION: FOR GAS RANGES INSTALLATION: MOUNT THIS HOOD SO THAT THE BOTTOM EDGE IS AT 30" (76,2 CM) ABOVE THE COOKING SURFACE. FOR ELECTRIC RANGES INSTALLATION: MOUNT THIS HOOD SO THAT THE BOTTOM EDGE IS NOT LESS THAN 24" (61 CM) AND NOT MORE THAT 30" (76,2 CM) ABOVE THE COOKING SURFACE. HOUSEHOLD USE. PLEASE, READ INSTALLATION MANUAL FOR SPECIFIC APPLICATION.

Check your ceiling height and the hood height maximum before you select your hood.

Installation

Installation - Ductless (Recirculating) version

1. Pre-installation calculations

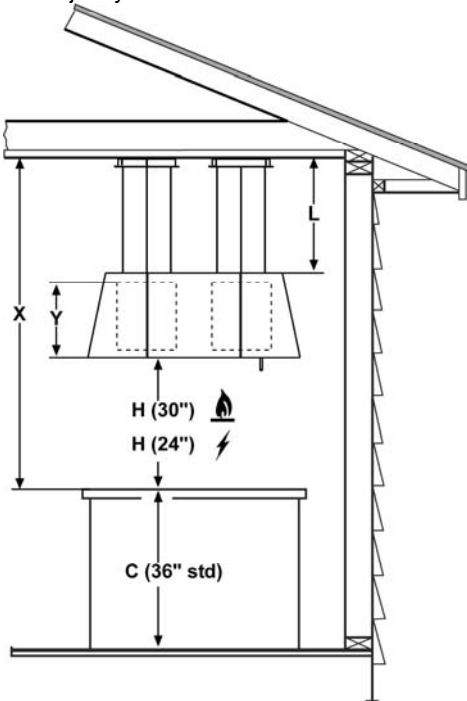
C = Counter Height (36" standard)

H = Preferred Height of Hood
Bottom above counter

L = Chimney Structure Height, your installation.

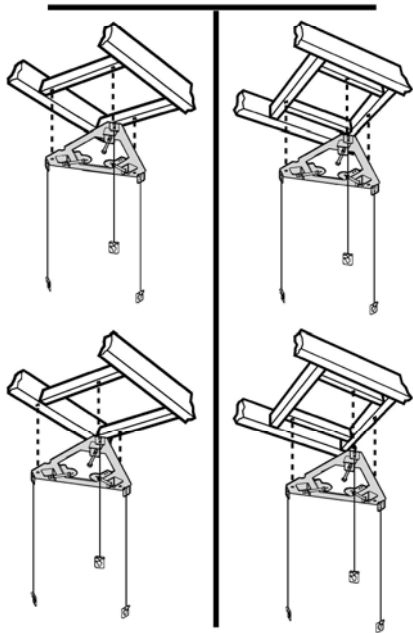
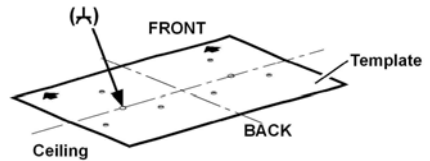
$$L = X - Y - H + 1" \text{ 3/16}$$

- Select a hood preference height **H** that is comfortable for the user.
- Calculate Hood height your installation **L** = $X - Y - H + 1" \text{ 3/16}$.
- Confirm that **H** is within the range of min to max **H** found for your model (See "Dimensions and clearances" paragraph). If not adjust your installation.



2. Preparation of mounting surface

Installing supports above ceiling drywall.



Note: Take into consideration the hood depth; the hood could be much deeper than the cooktop.

- Mark center lines of cooktop or range on ceiling above. Use centerlines marked on ceiling to position the mounting template. Note location of hood front (that indicated with a printed arrow), side, and mounting holes indicated on template.

Note: Remember that printed arrow on

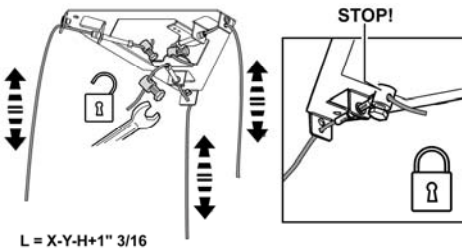
template corresponds to front of the hood and consequently to side where control panels will be located at the end of installation)

- b. Remove and save template. Cut and remove ceiling drywall. Install suitable length 2" x 4" lumber between joists to provide support bracket mounting points as shown above. Use template for dimensions and required clearance. Make sure to affix the added lumber firmly and level. Consult a professional if you have difficulties or your installation is unique. Consult template and Figs. above.

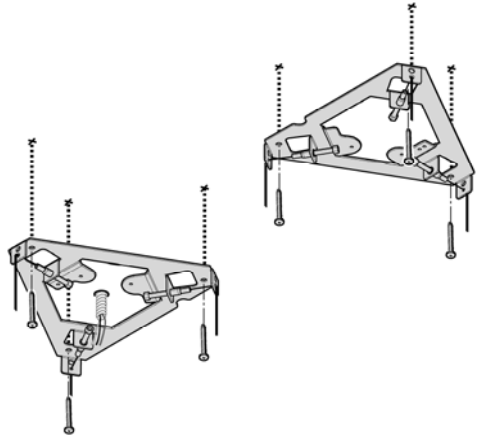
- c. Install drywall; then refinish ceiling. Determine the required position for the conduit and cut a 1-1/4" (3.2 cm) hole at this location. Run wires through hole according the National Electrical Code or CSA Standards and local codes and ordinances.

- d. Tape Template in place and mount the support bracket with wood screws (Supplied in mounting hardware kit) on locations marked on template, then remove template.

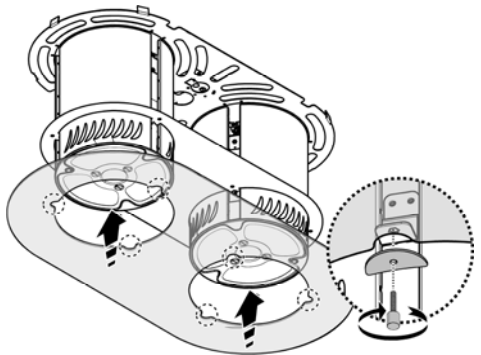
3. Prepare the support bracket, suitably adjusting the length of the cables according to the following formula:
 $L = X - Y - H + 1" \frac{3}{16}$
 L = truss extension
 X = distance between the ceiling and the bottom edge of the hood
 After finding the right length, secure the cables, tightening the lock nuts with a spanner.



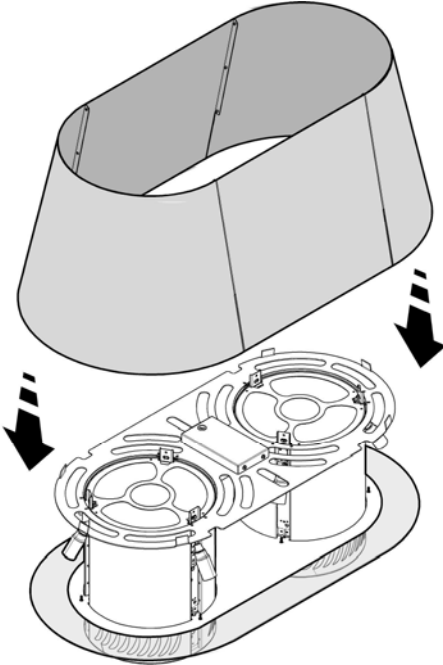
4. Apply the support brackets on the ceiling, passing the cables for the electrical connection through the middle hole. Fix with 6 wood screws.



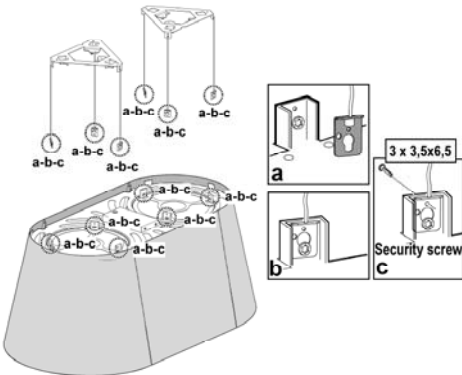
5. Fix the lighting unit to the hood with 6 screws and crescent-shaped washers. **Note:** The inside rim of the lighting unit has chamfers which must match the fixing places.



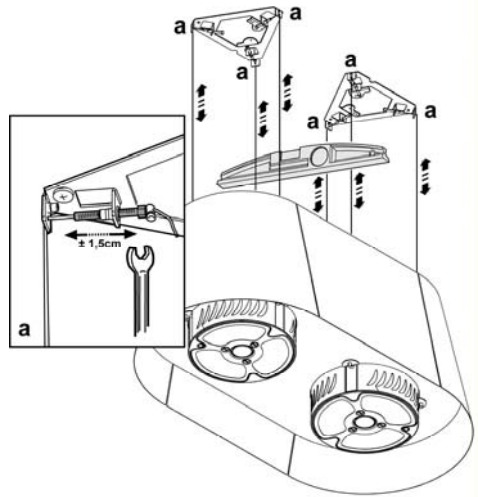
6. Apply the aesthetic cap to cover the hood, passing the interconnection electrical cable inside.
Important: Make sure the interconnection cable does not touch the lamps.



7. Fix the hood to the hooking brackets and secure with 1 screw for each bracket (COMPULSORY FIXING).



8. Adjust the position of the hood by means of the adjustment screws.



9. Electrical connection

WARNING

Electrical Shock Hazard

Warning: Turn off power circuit at the service panel before wiring this unit. 120 VAC, 15 or 20 Amp circuit required.

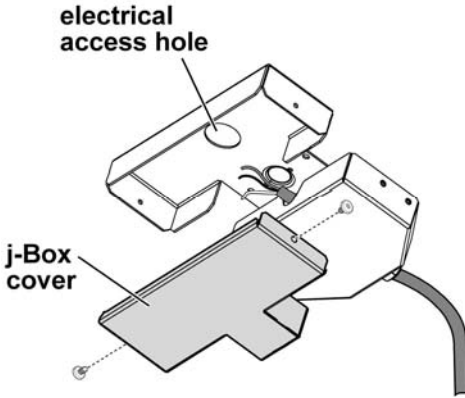
ELECTRICAL GROUNDING

INSTRUCTIONS

THIS APPLIANCE IS FITTED WITH AN ELECTRICAL JUNCTION BOX WITH 3 WIRES, ONE OF WHICH (GREEN/YELLOW) SERVES TO GROUND THE APPLIANCE. TO PROTECT YOU AGAINST ELECTRIC SHOCK, THE GREEN AND YELLOW WIRE MUST BE CONNECTED TO THE GROUNDING WIRE IN YOUR HOME ELECTRICAL SYSTEM, AND IT MUST UNDER NO CIRCUMSTANCES BE CUT OR REMOVED.

Failure to do so can result in death or electrical shock.

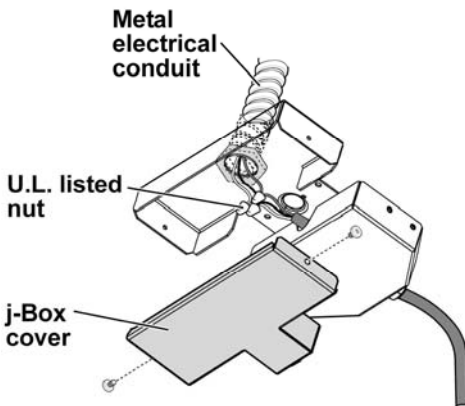
Remove the Junction box cover and install the conduit connector (cULus listed) in junction box.



10. Run 3 wires; black, white and green ,according to the National Electrical Code and local codes and ordinances, in 1/2" conduit from service panel to junction box.

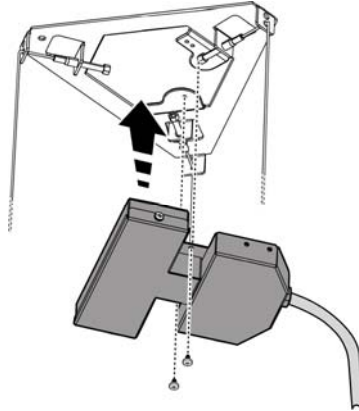
11. Connect black wire from service panel to black or red in junction box, white to white and green to green-yellow.

Close and secure junction box cover.



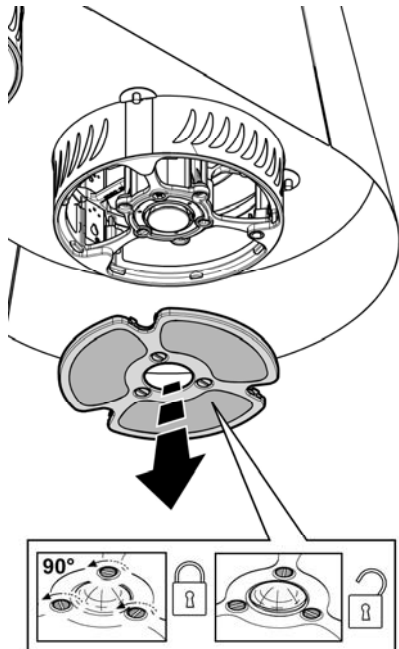
12. Fix the junction box to the support bracket on the ceiling with 2 screws.

Important! Replacement of the interconnection cable must be carried out by the authorised after-sales technical service.

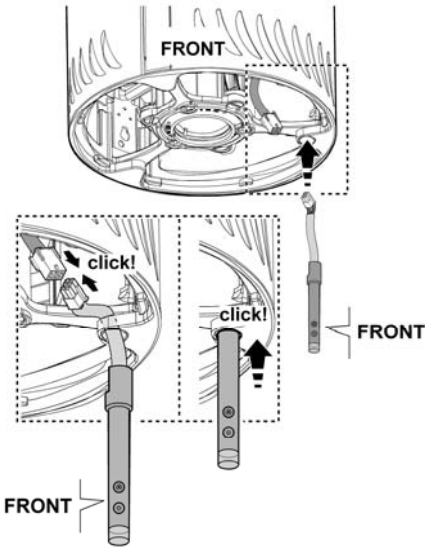


13. Remove the grease filter.

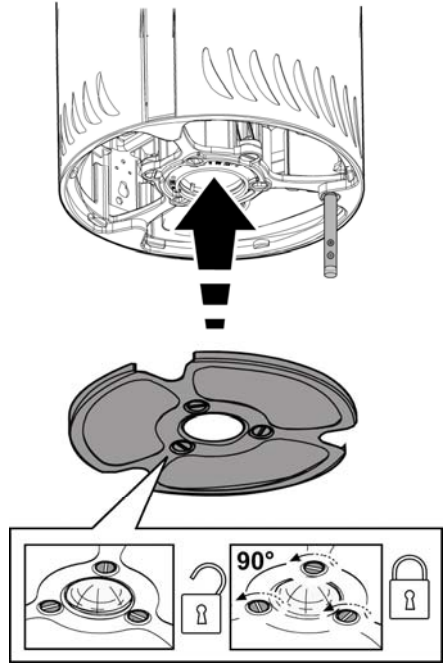
For unlocking, rotate the 3 fixing pins by 90°.



14. Fit the control shaft in the correct position by pushing it upwards. Connect the electricity.



15. Insert the grease filter.
For locking, rotate the 3 fixing pins by 90°.

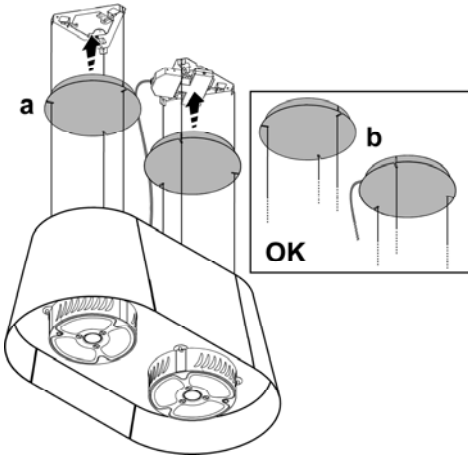


16. Insert the cover between the support cables, making sure they enter the special slots on the cover.

Important! Leave enough cable so that it passes easily through the slot obtained in the cover.

Secure the cover with 3 grub screws already screwed on the support bracket.

Note: The 3 fixing screws secure the cover by virtue of the friction they exert on the cover itself, and therefore must not be completely tightened.



17. Check all light bulbs to make sure they are secure in their sockets.

Turn power (On) in service panel.

Check lights and blower operation.

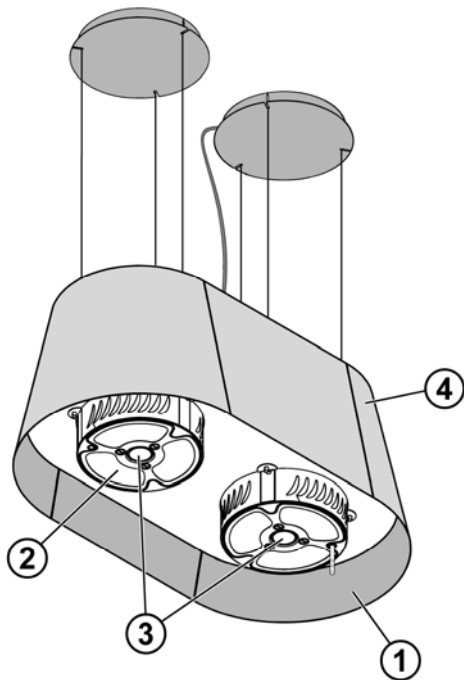
If range hood does not operate:

- Check that the circuit breaker is not tripped or the house fuse blown.
- Disconnect power supply. Check that wiring is correct.

To get the most efficient use from your new range hood, read the “Use and Care Information” section.

Keep your Installation Instructions and Use and Care Guide close to range hood for easy reference.

Description of the hood & Controls



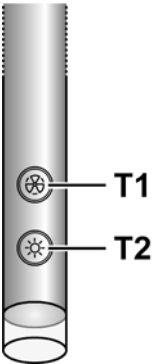
- 1 Control panel
- 2 Grease filter
- 3 Halogen lamp
- 4 Aesthetic cover

Controls

Use the high suction speed in cases of concentrated kitchen vapours. It is recommended that the cooker hood suction is switched on for 5 minutes prior to cooking and to leave in operation during cooking and for another 15 minutes approximately after terminating cooking.

Description of control panel

The hood is equipped with a “TOUCH” device to control the lights and speed. For the correct use please carefully read the instructions below.



Automatic start-up function

The hood is equipped with a temperature sensor which activates the motor to the first suction speed (power) in the event that the room temperature in the surrounding area is higher than 70°C.

The user may switch off or modify the suction speed (power) (see paragraph “suction speed (power) control”).

Suction speed (power) control

The suction speed (power) is cyclical depending on the speed sequence “stand-by – 1-2-3-4- Stand by -1-2-...” therefore every time the **T1** button is pressed on the control panel, the suction speed (power) is increased by one level, in order to switch off (stand-by) if the button is pressed again when the hood is in suction speed (power) 4.

The hood may be switched off (stand-by) while the hood is set on any speed by

holding down the **T1** button on the control panel for a bit longer (more than 3 seconds). The hood's suction speed (power) may be determined as the control panel is equipped with a LED light that changes colors as follows, depending on the suction speed (power):

Hood in stand-by: LED LIGHT SWITCHED OFF

1st suction speed (power) -GREEN LED LIGHT

2nd suction speed (power) – ORANGE LED LIGHT (amber)

3rd suction speed (power) - RED LED LIGHT

4th suction speed (power) - RED LED LIGHT (FLASHING)

Note: The 4th suction speed (power) stays on for 5 minutes, after which the suction motor will position itself on the 2nd speed.

If pressed again, the suction motor will switch off (stand-by).

Grease filters need cleaning: FLASHING GREEN LED light (read instructions found under “Reset and configuration for filter saturation signal”)

Coal filters must be cleaned or replaced: FLASHING ORANGE (amber) LED light (read instructions found under “Reset and configuration for filter saturation signal”)

Note: The reset procedure may be activated by both the control panel and the remote control.

Center light check

The center light may be switched on and off by pressing the **T2** button on the control panel.

Side light check (when scheduled)

The side lights may be switched on and off by pressing AND HOLDING DOWN the **T2** button on the control panel.

Reset and configuration for filter saturation signal

Switch on hood to any speed (see above paragraph "Suction speed (power) selection")

Reset grease filter saturation signal (FLASHING GREEN LIGHT on control panel)

First proceed with filter maintenance as described in corresponding paragraph.

Press and hold down (for more than 3 seconds) the **T1** button on the control panel, the LED light will stop flashing indicating that the signal reset has been carried out, the hood will switch off.

Reset coal filter saturation signal (FLASHING ORANGE (amber) LED light)

First proceed with filter maintenance as described in corresponding paragraph.

Press and hold down (for more than 3 seconds) the **T1** button on the control panel, the LED light will stop flashing indicating that the signal reset has been carried out, the hood will switch off.

Coal filter saturation signal disactivation (for particular applications)

Switch off hood (see above paragraph "suction speed (power) selection").

Press and hold down (for more than 5 seconds) the **T1** button on the control panel, the LED light will start flashing GREEN indicating that the coal filter saturation signal has been disactivated.

In order to reactivate the coal filter saturation signal, repeat operation, the LED light will flash ORANGE (amber)

User Servicing and Maintenance Instructions

ATTENTION! Before performing any maintenance operation, isolate the hood from the electrical supply by switching off at the connector and removing the connector fuse.
Or if the appliance has been connected through a plug and socket, then the plug must be removed from the socket.

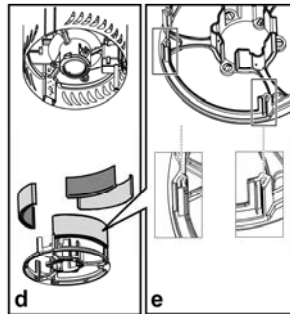
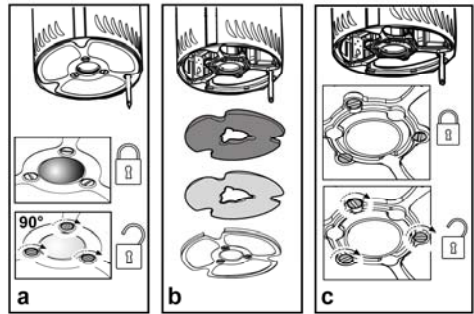
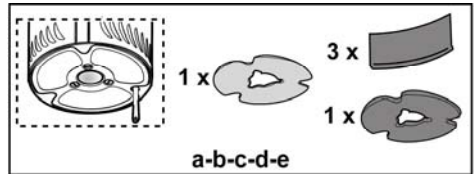
Cleaning

The cooker hood should be cleaned regularly (at least with the same frequency with which you carry out maintenance of the fat filters) internally and externally. Clean using the cloth dampened with neutral liquid detergent. Do not use abrasive products. **DO NOT USE ALCOHOL!**

WARNING: Failure to carry out the basic cleaning recommendations of the cooker hood and replacement of the filters may cause fire risks.

Therefore, we recommend observing these instructions.

The manufacturer declines all responsibility for any damage to the motor or any fire damage linked to inappropriate maintenance or failure to observe the above safety recommendations.



Grease Filter

Traps cooking grease particles.

The grease filter must be cleaned once a month using non aggressive detergents, either by hand or in the dishwasher, which must be set to a low temperature and a short cycle. When washed in a dishwasher, the grease filter may discolour slightly, but this does not affect its filtering capacity.

The metal grease filter and the carbon filter are installed coupled at the bottom (extraction area).

To remove or refit them, proceed as follows:

a+c. turn the three screws 1/4 turn.

b+d+e. remove the filter holder frame and the metal grease filter (and the carbon filter).

Proceed in reverse order to refit.

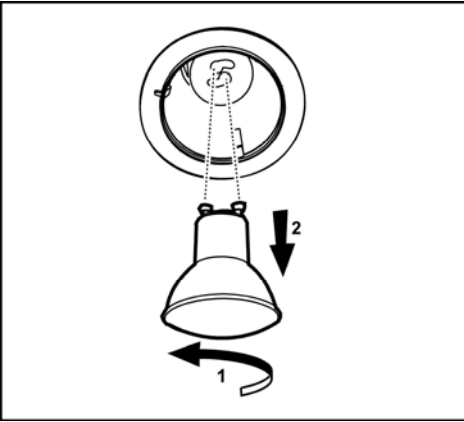
Replacing the light bulb

Disconnect the hood from the electricity.

Warning! Prior to touching the light bulbs ensure they are cooled down.

Replace Lights

- Remove the damaged light (twist counter clockwise) and replace with a new 120 Volt, 50 Watt (maximum) 50° halogen light made for a GU10 base, **suitable for use in open luminarie.**



Some models envisage lateral lamps:

Replace them with identical forms of 40W (E12) max).

Remove cover to access the lamp housing.

If the lights do not work, make sure that the lamps are fitted properly into their housings before you call for technical assistance.

Charcoal Filter

It absorbs unpleasant odours caused by cooking.

The charcoal filter can be washed once every two months using hot water and a suitable detergent, or in a dishwasher at 65°C (if the dishwasher is used, select the full cycle function and leave dishes out).

Eliminate excess water without damaging the filter, then remove the mattress located inside the plastic frame and put it in the oven for 10 minutes at 100° C to dry completely. Replace the mattress every 3 years and when the cloth is damaged.

French

Sommaire

Avis de sécurité important	23
Exigences électriques et exigences d'installation	25
Exigences électriques	25
Avant d'installer la hotte	26
Liste des pièces	27
Pièces fournies	27
Pièces non fournies.....	27
Dimensions et Dégagement	28
Exemples et possibilités de positionnement des conduits	29
Méthodes de ventilation	29
Préparation.....	29
Installation	30
Installation - Version sans conduit (Recyclage)	30
Description de la hotte et des commandes	37
Commandes	38
Instructions pour l'entretien, utilisateur et la maintenance	40
Nettoyage	40
Filtre à graisse.....	40
Remplacement des ampoules.....	41
Filtres à charbon.....	41

APPROUVÉ POUR LES APPAREILS DE TYPE RÉSIDENTIEL POUR UNE UTILISATION RÉSIDENTIELLE SEULEMENT LISEZ CES INSTRUCTIONS ET CONSERVEZ-LES

**VEUILLEZ LIRE CES INSTRUCTIONS AU COMPLET AVANT DE COMMENCER.
L'INSTALLATION DE L'APPAREIL DOIT RESPECTER TOUS LES CODES EN
VIGUEUR.**

**IMPORTANT : Conservez ces instructions afin de pouvoir les remettre à
l'inspecteur-électricien de votre région.**

**INSTALLATEUR : Veuillez laisser ces instructions avec l'appareil pour le
propriétaire.**

**PROPRIÉTAIRE : Veuillez conserver ces instructions pour pouvoir vous y référer
plus tard.**

**Avertissement de sécurité : Coupez l'alimentation du circuit dans le panneau
électrique et verrouillez le panneau avant de raccorder les fils de cet appareil.
Exigence : 120 V c.a., 60 Hz circuit de dérivation de 15 V c.a., 20 Hz, de 15 ou 20
A.**

LISEZ CES INSTRUCTIONS ET CONSERVEZ-LES

Avis de sécurité important

ATTENTION

UTILISER CET APPAREIL À DES FINS DE VENTILATION GÉNÉRALE SEULEMENT. NE PAS UTILISER CET APPAREIL POUR ÉVACUER DES MATÉRIAUX OU DES VAPEURS DANGEREUX OU EXPLOSIFS.

AVERTISSEMENT

POUR RÉDUIRE LES RISQUES D'INCENDIE, DE CHOC ÉLECTRIQUE ET DE BLESSURE, RESPECTER LES DIRECTIVES SUIVANTES :

A. Utiliser cet appareil uniquement aux fins prévues par le fabricant. Si vous avez des questions à propos de l'appareil, communiquez avec le fabricant.

B. Avant de faire l'entretien de l'appareil ou de le nettoyer, coupez l'alimentation dans le panneau électrique et verrouillez le panneau en bloquant le dispositif permettant d'empêcher d'activer l'alimentation accidentellement. S'il n'est pas possible de verrouiller l'accès au panneau, fixez une étiquette très voyante au panneau électrique.

C. Une personne qualifiée doit effectuer l'installation et le câblage des fils électriques en conformité avec tous les codes et toutes les normes, y compris la cote de résistance au feu.

D. Il est important de prévoir suffisamment d'air pour assurer une bonne combustion de l'équipement de chauffe et l'évacuation adéquates des gaz par le conduit de cheminé afin de prévenir les refoulements d'air. Respectez les directives et les normes de sécurité des fabricants de l'équipement de chauffage, comme celles publiées par la National Fire Protection Association (NFPA), la American Society for Heating, Refrigeration and Air Conditioning Engineers (ASHRAE) et le code des autorités de votre région.

E. Au moment de couper ou de percer un mur ou un plafond, assurez-vous de ne pas endommager la filerie électrique ou

tout autre accès à un service public.

F. Il faut toujours évacuer à l'extérieur les systèmes à conduit.

ATTENTION

Pour réduire les risques d'incendie et évacuer l'air correctement, assurez-vous que le conduit mène à l'extérieur; il ne faut pas évacuer l'air dans l'espace entre les murs, dans les plafonds, dans les greniers, les vides sanitaires ou les garages.

AVERTISSEMENT

POUR RÉDUIRE DES RISQUES D'INCENDIE, UTILISEZ UNIQUEMENT DES CONDUITS EN MÉTAL.

Installez cette hotte en respectant toutes les exigences mentionnées.

AVERTISSEMENT

Pour réduire les risques d'incendie et de choc électrique, n'utilisez pas cette hotte avec un contrôleur de vitesse à semi-conducteurs.

AVERTISSEMENT

POUR RÉDUIRE LES RISQUES D'INCENDIE DE GRAISSE SUR LES CUISINIÈRES.

a) Ne laissez jamais la cuisinière sans surveillance lorsqu'elle est réglée à une haute température. Les débordements par bouillonnement causent de la fumée et des débordements de gras qui peuvent s'enflammer. Faites chauffer l'huile lentement, à une température basse ou moyenne.

b) Faites toujours fonctionner la hotte lorsque vous utilisez la cuisinière à une haute température ou que vous faites flamber des aliments (P. ex. : crêpes Suzette, cerises jubiléées, bœuf au poivre flambé).

c) Nettoyez les hélices de ventilation fréquemment. Il ne faut pas que la

graisse s'accumule sur les filtres ou les hélices.

- d) Utilisez le bon format de casserole. Utilisez toujours un chaudron de taille approprié à l'élément de la cuisinière.

AVERTISSEMENT

POUR ÉVITER DE BLESSER QUELQU'UN LORS D'UN INCENDIE DE GRAISSE SUR LA CUISINIÈRE, SUIVRE LES CONSEILS SUIVANTS: *)

- a) **ÉTOUFFER LES FLAMMES** avec un couvercle aux dimensions de la tache de cuisson, une tôle à biscuit ou tout autre plateau métallique, puis couper le gaz ou l'alimentation électrique de la cuisinière. **FAIRE ATTENTION A NE PAS SE BRÛLER.** Si les flammes ne s'éteignent pas immédiatement, **QUITTER LA PIÈCE ET APPELER LES POMPIERS.**
- b) **NE JAMAIS PRENDRE EN MAIN UNE CASSEROLE EN FEU**, vous pourriez vous blesser.
- c) **NE PAS UTILISER D'EAU**, y compris les essuies de vaisselle ou les serviettes humides – une violente explosion due à la vapeur formée pourrait survenir.
- d) Utiliser un extincteur **SEULEMENT** si:
- 1) Vous êtes sûr d'avoir un extincteur de classe ABC que vous savez utiliser.
 - 2) Le feu est petit et confiné à la zone où il s'est formé.
 - 3) Les pompiers ont été appelés.
 - 4) Vous pouvez lutter contre le feu avec une sortie derrière vous.

*) Recommandations tirées des conseils de sécurité en cas d'incendie de cuisine publiés par la NFPA.

MODE OPÉRATEUR

- a. Toujours laisser les grilles de sécurité et les filtres à leur place. Sans la présence de ces derniers, les parties aspirantes pourraient attirer les cheveux, les doigts ou les vêtements.

Le fabricant décline toute responsabilité si les informations détaillées dans ce manuel pour l'installation, l'entretien et l'utilisation

adéquate du produit ne sont pas observées. Le fabricant décline en outre toute responsabilité pour d'éventuelles blessures dues à des négligences; en outre, la garantie de l'appareil sera annulée suite à des conditions d'entretien inappropriées. Cet appareil est fabriqué pour un usage interne. Ne pas utiliser cet appareil à l'extérieur.

Exigences électriques et exigences d'installation

Exigences électriques

IMPORTANT

Respectez tous les codes et les ordonnances en vigueur.

Le client a la responsabilité de :
Contacter un électricien-installateur.
Vérifier que l'installation électrique est adéquate et conforme avec le Code national de l'électricité, ANSI/NFPA 70 (la plus récente édition*), ou les normes C22.1-94, Code canadien de l'électricité, Partie 1 et C22.2 No.0-M91 (La plus récente édition**) de la CSA, ainsi que tous les codes et les ordonnances de votre région.

Si le code le permet et que vous utilisez un fil de mise à la terre distinct, il est recommandé de faire vérifier le chemin du fil par un électricien.

Ne pas mettre l'appareil à la terre sur une conduite de gaz.
Consultez un électricien qualifié si vous n'êtes pas certain que la hotte est mise à la terre correctement.
N'installez pas un fusible dans le circuit neutre ou le circuit de mise à la terre.

IMPORTANT

Conservez ces instructions afin de pouvoir les remettre à l'inspecteur-électricien.

La hotte doit être câblée uniquement à l'aide de fils de cuivre.

Il faut raccorder la hotte directement à une boîte à fusible ou à un disjoncteur par l'entremise d'une canalisation électrique en métal.

Le calibre de fil doit être conforme aux exigences du Code national de l'électricité, ANSI/NFPA 70 (La plus récente édition*), ou les normes C22.1-94, Code canadien de l'électricité, Partie 1 et C22.2 0-M91 (La plus récente édition**) de la CSA, ainsi que tous les codes et les ordonnances de votre région.

Il faut prévoir un connecteur de canalisation approuvé par l'UL ou la CSA à chaque extrémité de la canalisation d'alimentation (À la hotte et à la boîte de jonction).

Vous pouvez obtenir un exemplaire des normes indiquées en vous adressant à :

* La National Fire Protection Association,
Batterymarch Park Quincy, Massachusetts, 02269

** La CSA International, 8501 East Pleasant Valley Road, Cleveland, Ohio, 44131-5575

Avant d'installer la hotte

1. Pour assurer la ventilation la plus efficace possible, installez la conduite en ligne droite ou avec le moins de coudes possibles.
ATTENTION : La sortie de la conduite de ventilation doit donner sur l'extérieur.
2. Deux personnes sont nécessaires pour effectuer l'installation. Porter des gants pour se protéger des bords coupants.
3. La quincaillerie fournie permet de fixer la hotte à la plupart des murs et des plafonds; consultez un installateur qualifié pour vous assurer que la quincaillerie fournie est adaptée à votre type de mur ou d'armoire.
4. Dans le cas des endroits sujets aux TEMPÉRATURES FROIDES, il faut installer un clapet de contre-tirage supplémentaire afin de minimiser le retour d'air froid et un isolant thermique non métallique afin de minimiser la conduction de la température extérieur dans le conduit. Il faut placer le clapet du côté de l'air froid de l'isolant thermique. L'isolant doit être placé le plus près possible de l'endroit où le conduit entre dans la partie chauffée de la maison.
5. Air d'appoint : Le code du bâtiment de votre région peut exiger l'utilisation d'un système d'air d'appoint si vous utilisez un système de ventilation à conduit dont le mouvement d'air dépasse un certain nombre de CFM.
Le nombre de pi³/min varie d'une région à l'autre. Consultez un professionnel de CVC pour connaître les exigences précises de votre région.

Liste des pièces

Pièces fournies

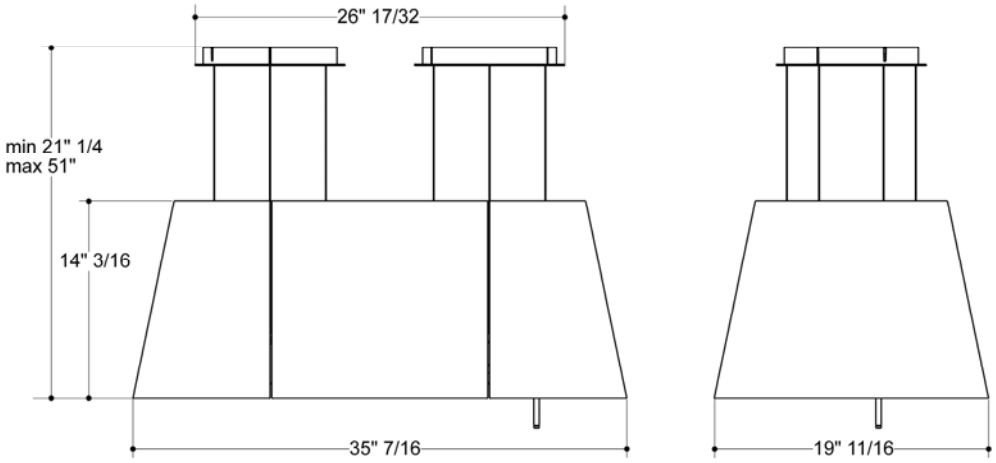
- 2 Ventilateur
- 1 Embout décoratif
- 1 Verre
- 2 Filtre métallique
- 2 Ampoules halogènes

- Paquet de quincaillerie :
 - 2 Support de fixation avec câbles et supports d'accrochage
 - 2 Couvercle
 - Modèle
 - Guide d'utilisation, d'entretien et d'installation
 - 1 adaptateur Torx T10
 - 1 adaptateur Torx T20
 - 6 vis 5x45 (Pour fixer le support de fixation au plafond)
 - 8 vis 3,5x6,5 (2 Pour fixer la boîte de jonction au support de fixation, 6 pour fixer la hotte au support de fixation)
 - 6 Pommeau (Pour la fixation du verre).
 - 6 Rondelles demi-lune (Pour la fixation du verre)
 - Commande de contrôle

Pièces non fournies

- Conduit et tous les outils nécessaires à l'installation.

Dimensions et Dégagement



Exemples et possibilités de positionnement des conduits

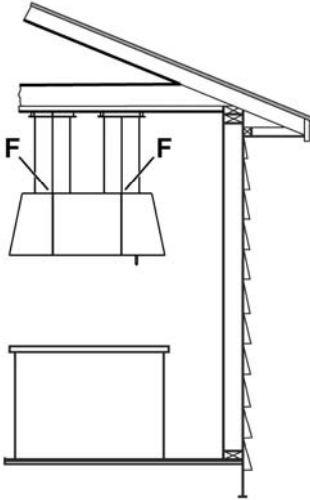
Suivez à la lettre les directives présentées dans ce manuel.

Le fabricant refuse toute responsabilité en ce qui a trait à tout préjudice, dommage ou incendie causé par la non observation des directives contenues dans le présent manuel.

Méthodes de ventilation

La hotte est fournie en **version à recyclage d'air** et elle est utilisée sans conduit d'évacuation des fumées aspirantes.

Les fumées et les vapeurs sont recyclées à travers le détecteur F.



Version sans conduit (à recyclage)

Préparation

Ne coupez pas une solive ou un montant à moins qu'il soit absolument nécessaire de le faire. Si vous devez couper une solive ou un montant, vous devez construire un cadre de soutien.

La quincaillerie fournie permet de fixer la hotte à la plupart des murs et des plafonds. Vous devez cependant demander à un technicien qualifié de vérifier la solidité des matériaux selon le type de mur ou de plafond.

Avant de couper, assurez-vous qu'il y a un dégagement suffisant dans le plafond ou le mur pour passer la conduite de sortie.

Vous pouvez déterminer vous-même la hauteur à laquelle vous installez la hotte au dessus de la cuisinière. Plus la hotte est près de la cuisinière, plus elle est efficace à capter les odeurs de cuisson, la graisse et la fumée.

ATTENTION: POUR L'INSTALLATION DES CUISINIÈRES À GAZ: METTEZ LA HOTTE AFIN D'AVOIR ENTRE LE BORD INFÉRIEUR DE LA HOTTE ET LE PLAN DE CUISSON UNE DISTANCE DE 30" (76,2 CM).

POUR DES CUISINIÈRES ÉLECTRIQUES: LA DISTANCE ENTRE LE BORD INFÉRIEUR DE LA HOTTE ET LE PLAN DE CUISSON NE DOÛT PAS ÊTRE INFÉRIEURE DE 24" (61 CM) ET SUPÉRIEURE DE 30" (76,2 CM).

EMPLOI DOMESTIQUE. LIRE ATTENTIVEMENT LE LIVRET INSTRUCTIONS POUR DES APPLICATIONS SPÉCIFIQUES.

Vérifiez donc la hauteur de votre plafond et la hauteur maximum de la hotte avant de choisir votre modèle de hotte.

Installation

Installation - Version sans conduit (Recyclage)

1. Calculs avant l'installation

C = Hauteur du comptoir (36 po standard)

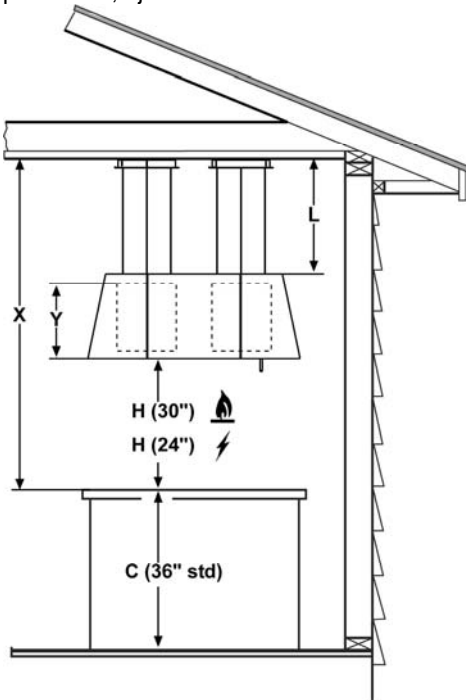
H = Hauteur désirée de la hotte

Du bas de la hotte au comptoir

L = Hauteur de la structure de cheminée dans votre installation

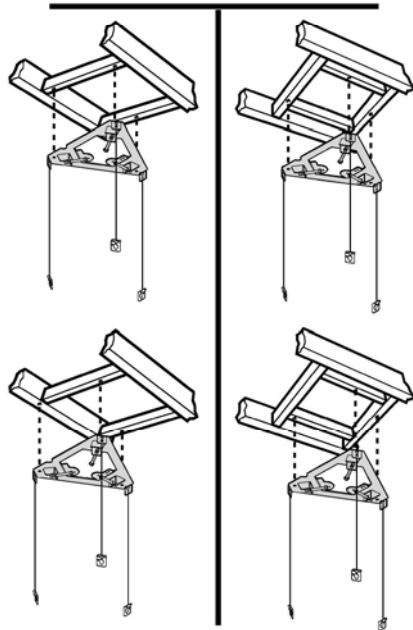
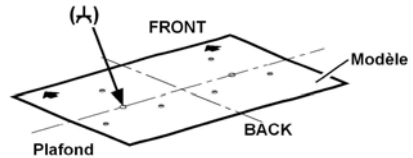
$$L = X - Y - H + 1" \text{ 3/16}$$

- Déterminez la hauteur de la hotte **H** qui est confortable pour l'utilisateur.
- Calculez la hauteur d'installation de la hotte en utilisant la formule suivante : $L = X - Y - H + 1" \text{ 3/16}$.
- Confirmez que la valeur de **H** se situe entre la valeur minimum et maximum de **H** pour votre modèle (Voir le paragraphe "Dimensions et dégagement"). Si ce n'est pas le cas, ajustez votre installation.



2. Préparation de la surface de montage

Installez les supports au-dessus du plafond de cloison sèche.



Note : Tenez compte de la profondeur de la hotte; la hotte peut être beaucoup plus profonde que la surface de cuisson.

- Marquez les lignes de centre de la surface de cuisson ou de la cuisinière au plafond, au-dessus de l'appareil. Utilisez ces lignes de centre au plafond pour positionner le modèle de montage. Notez sur le modèle l'emplacement de l'avant (indiqué avec une flèche) et des

côtés de la hotte, ainsi que des ouvertures de montage.

Note : Souvenez-vous que la flèche sur le modèle représente l'avant de la hotte et, donc, le côté où sera installé le panneau de commandes une fois l'appareil installé.

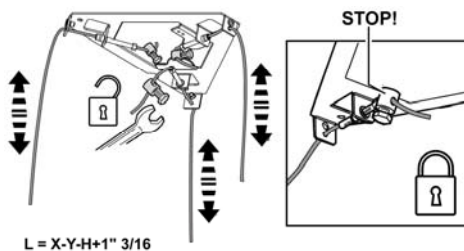
- b.** Enlevez le modèle et conservez-le. Pratiquez une ouverture dans la cloison sèche. Installez un 2 po x 4 po de longueur adéquate entre les montants, qui constituera les points de montage de le support de fixation, comme il est indiqué ci-dessus. Pour connaître les dimensions et le dégagement nécessaire, utilisez le modèle. Assurez-vous de fixer la pièce de bois solidement et à niveau. Si vous avez des difficultés ou que votre installation comporte des problèmes particuliers, consultez un professionnel. Consultez le modèle et les illustrations ci-dessus.
- c.** Installez une cloison sèche, puis terminez la finition du plafond. Déterminez la position nécessaire pour le conduit et coupez une ouverture de 1-1/4 po (3,2 cm) à cet endroit. Passez les fils à cet endroit en respectant les normes du code national de l'électricité ou de la CSA, ainsi que les codes et les ordonnances en vigueur dans votre région.
- d.** Fixez le support de fixation à l'aide de vis à bois (Fournies dans la trousse de quincaillerie de montage) sur les marques tracées sur le modèle, puis enlevez le modèle.

- 3.** Préparez le support de fixation en réglant de façon opportune l'extension des câbles selon la formule suivante :

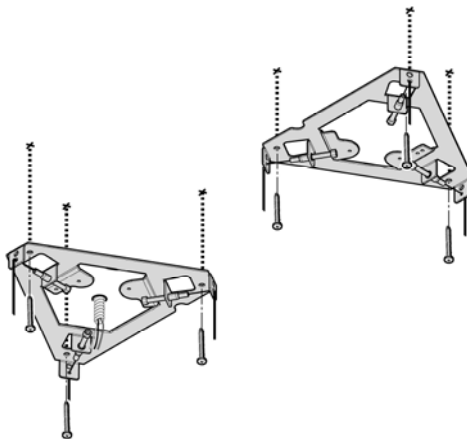
$$L = X - Y - H + 1" \frac{3}{16}$$

L = extension de la structure de support
X = distance entre le plafond et le côté inférieur de la hotte

Dès que vous avez déterminé l'extension correcte, bloquez les câbles en intervenant à l'aide d'une clé anglaise sur les écrous de blocage.

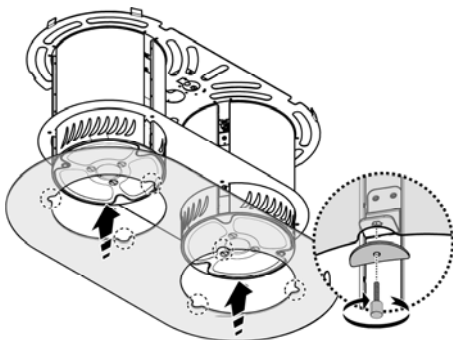


- 4.** Placez les supports de fixation contre le plafond en faisant passer les câbles de branchement électrique à travers l'orifice central. Fixez à l'aide de 6 vis à bois.



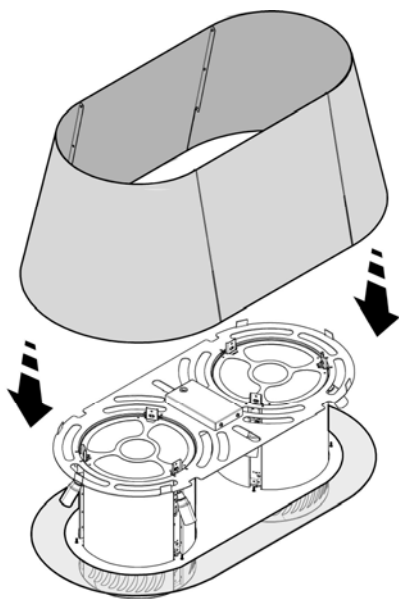
5. Fixez l'éclairage du plan de cuisson à la hotte à l'aide de 6 vis et de rondelles demi-lune.

Remarque : la circonférence interne du plafonnier présente des chanfreinages qui doivent coïncider avec les points de fixation.

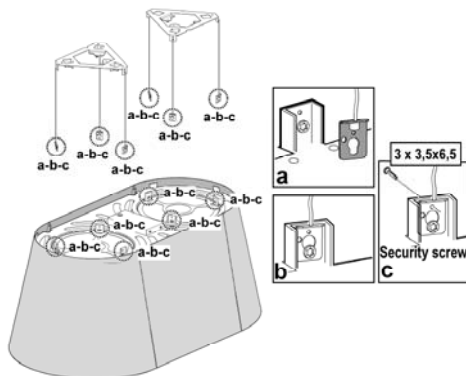


6. Appliquez le chapeau d'habillage par-dessus la hotte en faisant passer le câble électrique d'interconnexion à l'intérieur.

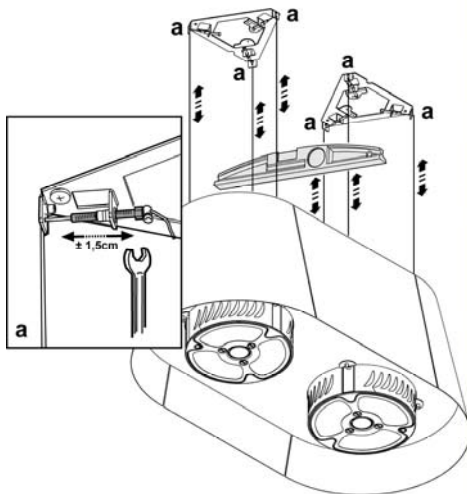
Attention : Contrôlez que le câble d'interconnexion n'entre pas en contact avec les ampoules.



7. Fixez la hotte au support de fixation et fixez définitivement à l'aide de 1 vis pour support (FIXATION OBLIGATOIRE).



8. Réglez la position de la hotte en intervenant sur les vis de réglage.



9. Connexion électrique

AVERTISSEMENT

Danger de choc électrique

AVERTISSEMENT : Coupez

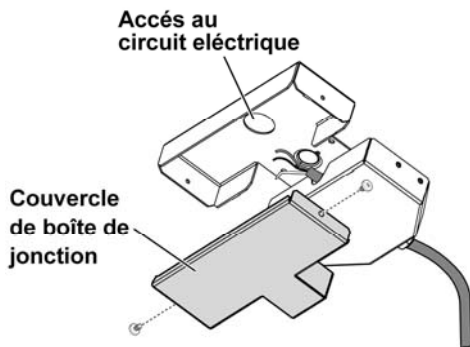
l'alimentation du circuit dans le panneau électrique avant de raccorder les fils de cet appareil.

Un circuit de 120 V c.a., de 15 ou 20 A est requis.

INSTRUCTIONS DE MISE À LA TERRE
 CET APPAREIL EST MUNI D'UNE
 BOÎTE DE JONCTION ÉLECTRIQUE À
 TROIS FILS, DONT L'UN (VERT/JAUNE)
 SERT À METTRE L'APPAREIL À LA
 TERRE. POUR VOUS PROTÉGER
 CONTRE LES CHOCS ÉLECTRIQUES,
 VOUS DEVEZ RACCORDER LE FIL
 VERT/JAUNE AU FIL DE MISE À LA
 TERRE DU SYSTÈME ÉLECTRIQUE DE
 VOTRE MAISON. EN AUCUNE
 CIRCONSTANCE CE FIL DOIT ÊTRE
 COUPÉ OU ENLEVÉ.

Le fait de ne pas respecter cette directive peut entraîner la mort ou un choc électrique.

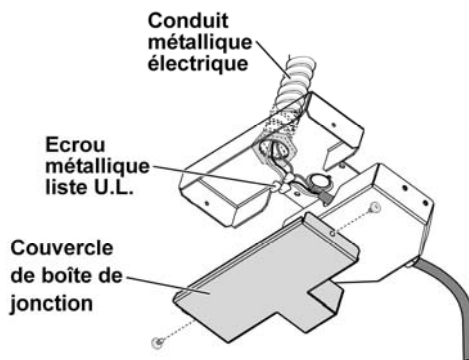
Retirez le couvercle de la boîte de jonction et installez un connecteur de canalisation (Listé dans cULus) dans la boîte de jonction.



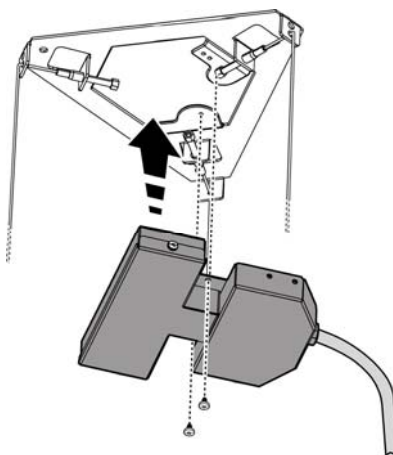
10. Passez trois fils, le noir, le blanc et le vert, en respectant les normes du code national de l'électricité, ainsi que les codes et les ordonnances en vigueur dans votre région, dans une canalisation de 1/2 po, du panneau de service à la boîte de jonction.

11. Raccordez le fil noir du panneau de service au fil noir ou rouge de la boîte de jonction, le blanc avec le blanc et le vert avec le vert/jaune.

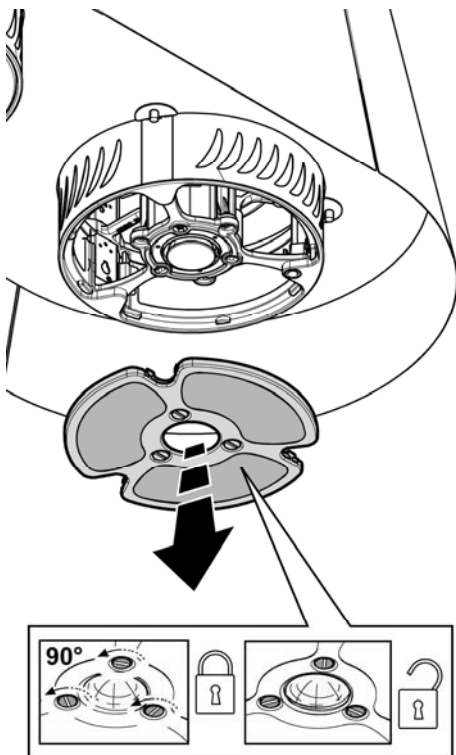
Fermez le couvercle de la boîte de jonction.



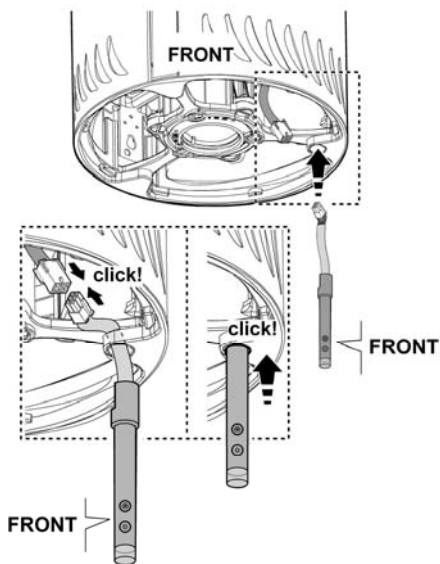
12. Fixez le boîte de jonction au support de fixation sur le plafond, à l'aide de 2 vis. **Attention !** Le remplacement du câble d'interconnexion ne peut être effectué que par un centre d'assistance technique agréé.



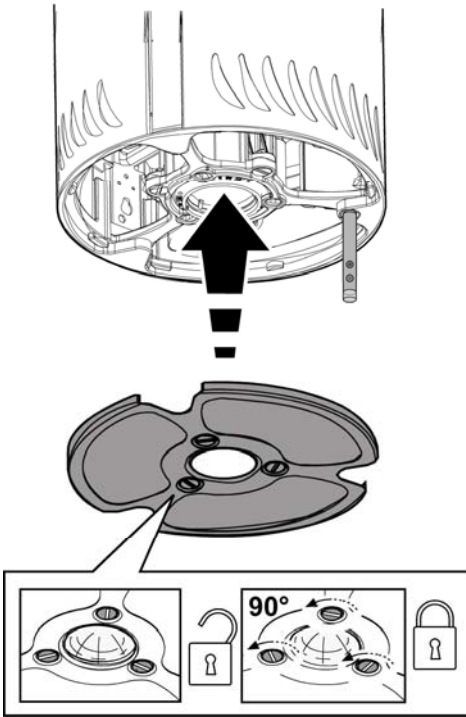
- 13. Enlevez le filtre anti-graisses.**
Pour le déblocage, tourner les 3 tiges de fixation à 90°.



- 14. Introduisez la tige de commande à l'emplacement prévu en poussant vers le haut.**
Effectuer le raccordement électrique.



15. Insérer le filtre anti-graisses.
Pour le blocage, tourner les 3 tiges de fixation à 90°.

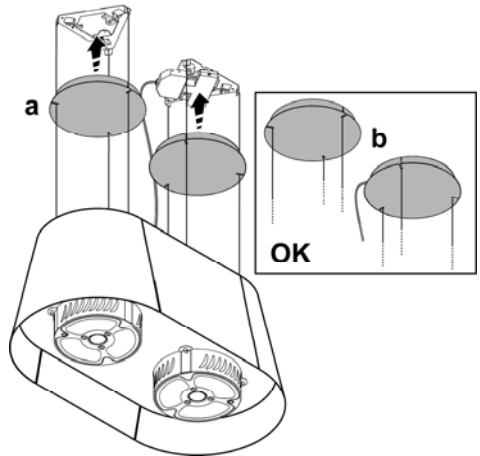


16. Insérez le couvercle entre les câbles de support ; vérifiez que ceux-ci entrent dans les fentes prévues à cet effet sur le couvercle.

Attention ! Il faut que le câble présente suffisamment de jeu pour pouvoir passer de manière aisée à travers la fente aménagée sur le couvercle.

Bloquez le couvercle à l'aide de 3 vis sans tête déjà vissées sur le support de fixation.

Remarque : les 3 vis de fixation bloquent le couvercle en vertu de la friction qu'elles exercent sur celui-ci, c'est pourquoi elles ne doivent pas être vissées à fond.



17. Vérifiez toutes les ampoules et assurez-vous qu'elles sont bien fixées dans leur douille.
Activez l'alimentation dans le panneau de service.
Vérifiez que le système d'éclairage et le ventilateur fonctionnent normalement.

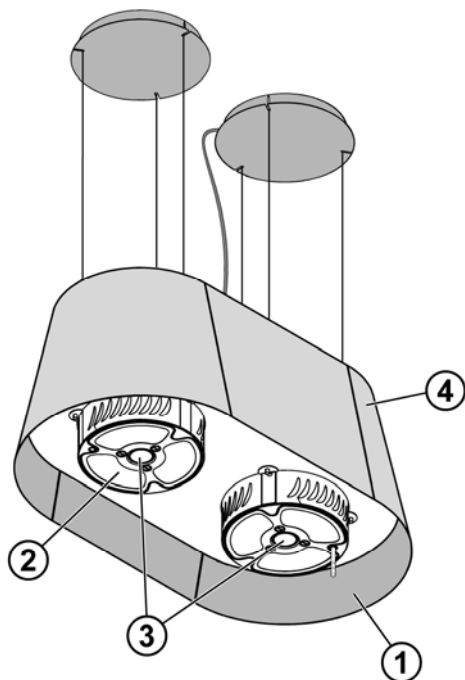
Si la hotte ne fonctionne pas :

- Vérifiez que le disjoncteur ne s'est pas déclenché ou que le fusible n'est pas grillé.
- Débranchez l'alimentation. Vérifiez que les raccords électriques ont été effectués correctement.

Pour utiliser votre nouvelle hotte de façon optimale, lisez la section intitulée “ Entretien et utilisation “.

Gardez vos instructions d'installations et d'utilisation près de la hotte pour pouvoir vous y référer facilement.

Description de la hotte et des commandes



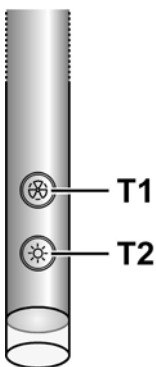
- 1 Panneau de commande
- 2 Filtre à graisse
- 3 Lampes halogène
- 4 Embout décoratif

Commandes

Utiliser la puissance d'aspiration maximum en cas de concentration très importante des vapeurs de cuisson. Nous conseillons d'allumer le dispositif d'aspiration 5 minutes avant de commencer la cuisson et de le faire fonctionner encore pendant 15 minutes environ après avoir terminé la cuisson.

Description du panneau de commandes

La hotte est dotée d'un dispositif "TOUCH" pour le contrôle des lumières et de la vitesse. Pour une utilisation correcte, lire attentivement les instructions ci-dessous.



Fonction d'allumage automatique

La hotte est équipée d'un détecteur de température qui active le moteur à la 1^{ère} vitesse (puissance) d'aspiration dans le cas où la température ambiante dans la zone environnante de la hotte dépasse 70°C. L'utilisateur peut cependant éteindre ou modifier la vitesse (puissance) d'aspiration (voir paragraphe "**Contrôle des vitesses (puissances) d'aspiration**").

Contrôle des vitesses (puissances) d'aspiration

La sélection des vitesses (puissances) d'aspiration est cyclique selon la séquence vitesse "stand-by - 1-2-3-4- Stand by -1-2-...", à chaque pression de la touche **T1** de la tige de commande, la vitesse (puissance) d'aspiration augmente d'un niveau pour

s'éteindre (stand-by) si la touche est encore enfoncée lorsque la hotte est en vitesse (puissance) d'aspiration 4.

On peut aussi éteindre la hotte (stand by) quand la hotte fonctionne à une autre vitesse en appuyant de façon prolongée (plus de 3 secondes) sur la touche **T1** de la tige de commande.

On peut déterminer à quelle vitesse (puissance) d'aspiration se trouve la hotte car la tige est équipée d'un led qui change de couleur sur base de la vitesse (puissance) d'aspiration comme suit:

Hotte en stand-by: LED ETEINT

1^{ère} vitesse (puissance) d'aspiration - led VERT

2^{ème} vitesse (puissance) d'aspiration - led ORANGE (ambre)

3^{ème} vitesse (puissance) d'aspiration - led ROUGE

4^{ème} vitesse (puissance) d'aspiration - led ROUGE CLIGNOTANT

Remarque: la 4^{ème} vitesse (puissance) d'aspiration reste allumée pendant 5 minutes, après quoi le moteur d'aspiration se place sur la 2^{ème} vitesse.

En appuyant à nouveau, le moteur aspiration s'éteint (Stand by).

Nécessité de laver les filtres anti-graisse:

led VERT CLIGNOTANT (lire les instructions relatives au "Reset et configuration du signal de saturation des filtres")

Nécessité de laver ou remplacer les filtres au charbon: led ORANGE (ambre) CLIGNOTANT (lire les instructions relatives au "Reset et configuration du signal de saturation des filtres")

Remarque: Le reset peut être effectué tant par la tige de contrôle que par la télécommande.

Contrôle de la lumière centrale

La lumière centrale peut être allumée et éteinte en appuyant sur la touche **T2** de la tige de contrôle.

Contrôle des lumières latérales (si présentes)

Les lumières latérales peuvent être allumées et éteintes en appuyant DE FACON PROLONGEE sur la touche **T2** de la tige de contrôle.

Reset et configuration du signal de saturation des filtres

Allumer la hotte à une vitesse au choix (voir paragraphe ci-dessus "Sélection des vitesses (puissances) d'aspiration")

Reset signal saturation du filtre anti-graisse (LED VERT CLIGNOTANT sur la tige de contrôle)

Effectuer d'abord l'entretien du filtre comme décrit dans le paragraphe correspondant.

Appuyer de façon prolongée (plus de 3 secondes) sur la touche **T1** de la tige de contrôle, le LED arrête de clignoter pour indiquer que le reset du signal a été effectué, la hotte s'éteint.

Reset signal saturation du filtre au charbon (LED ORANGE (ambre) CLIGNOTANT)

Effectuer d'abord l'entretien du filtre comme décrit dans le paragraphe correspondant.

Appuyer de façon prolongée (plus de 3 secondes) sur la touche **T1** de la tige de contrôle, le LED arrête de clignoter pour indiquer que le reset du signal a été effectué, la hotte s'éteint.

Désactivation du signal de saturation du filtre au charbon (pour applications particulières)

Eteindre la hotte (voir paragraphe ci-dessus "Sélection des vitesses (puissances) d'aspiration")

Appuyer de façon prolongée (plus de 5 secondes) sur la touche **T1** de la tige de contrôle, le LED clignotera en VERT pour indiquer que le signal de saturation du filtre au charbon a été désactivé.

Pour réactiver le signal de saturation du filtre au charbon, répéter l'opération, le LED clignotera en ORANGE (ambre).

Instructions pour l'entretien, utilisateur et la maintenance

Attention! Avant toute opération de nettoyage ou d'entretien, débrancher la hotte du circuit électrique en enlevant la prise ou en coupant l'interrupteur général de l'habitation.

Nettoyage

La hotte doit être régulièrement nettoyée à l'intérieur et à l'extérieur (au moins à la même fréquence que pour l'entretien des filtres à graisse). Pour le nettoyage, utiliser un chiffon humidifié avec un détergent liquide neutre. Ne pas utiliser de produit contenant des abrasifs.

NE PAS UTILISER D'ALCOOL!

ATTENTION: Il y a risque d'incendie si vous ne respectez pas les instructions concernant le nettoyage de l'appareil et le remplacement ou le nettoyage du filtre.

La responsabilité du constructeur ne peut en aucun cas être engagée dans le cas d'un endommagement du moteur ou d'incendie liés à un entretien négligé ou au non respect des consignes de sécurité précédemment mentionnées.

Filtre à graisse

Il retient les particules de graisse issues de la cuisson.

Le filtre anti-graisse métallique doit être nettoyé une fois par mois avec des détergents non agressifs, à la main ou dans le lave-vaisselle à faibles températures et cycle rapide.

Le lavage du filtre anti-graisse métallique au lave-vaisselle peut en provoquer la décoloration. Toutefois, les caractéristiques de filtrage ne seront en aucun cas modifiées.

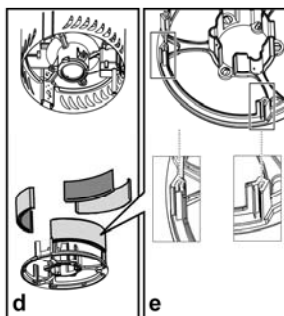
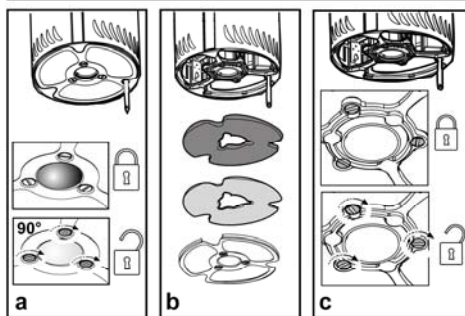
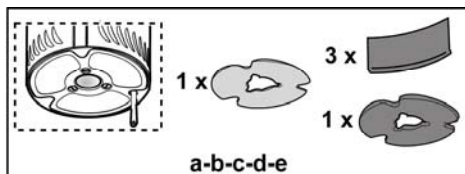
Le filtre à graisses et le filtre à charbon sont installés ensemble dans le bas (zone d'aspiration).

Pour les déposer ou les monter, procédez comme suit :

a+c. tournez les 3 vis d'un quart de tour.

b+d+e. extrayez le cadre de support du filtre et déposez le filtre à graisses métallique (et le filtre à charbon).

Pour le montage, procédez dans l'ordre inverse.



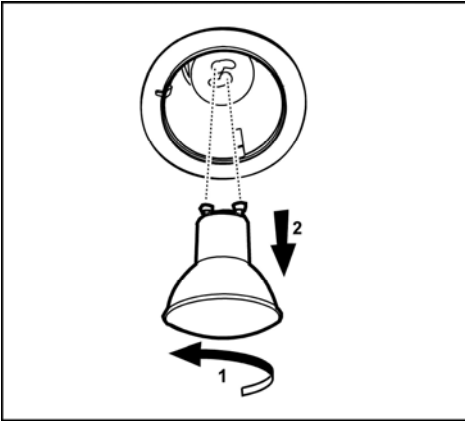
Remplacement des ampoules

Débrancher l'appareil du réseau électrique

Attention! Avant de toucher les lampes, assurez-vous qu'elles soient froides.

Remplacer les ampoules

- Enlever l'ampoule défectueuse (tourner dans le sens inverse des aiguilles d'une montre) et la remplacer avec une nouvelle ampoule halogène de 120 Volt, 50 Watt (maximum), 50° prévue pour une base GU10, **et convenant pour une utilisation dans les lampadaires.**



Certains modèles prévoient des lampes latérales:

Les remplacer par des ampoules de forme identique et de max 40W (E12).

Pour accéder aux ampoules, enlever le couvercle.

Dans l'éventualité où l'éclairage ne devait pas fonctionner, vérifier si les lampes ont été introduites correctement dans leur logement, avant de contacter le service après-vente.

Filtres à charbon

Retient les odeurs désagréables de cuisson.

Le filtre à charbon peut être nettoyé tous les deux mois avec de l'eau chaude et au moyen de détergents appropriés ou dans le lave-vaisselle à 65°C (dans le cas de lavage dans le lave-vaisselle suivre un cycle de lavage complet sans vaisselle à l'intérieur).

Enlever l'eau qui excède en faisant attention de ne pas abîmer le filtre, ensuite enlever le coussinet posé à l'intérieur du châssis en plastique et le mettre dans le four pendant 10 minutes à 100°C pour le sécher définitivement. Remplacer le coussinet tous les 3 ans et chaque fois que le filtre sera abîmé.

Spanish

Contenido

Aviso de seguridad importante	43
Requisitos eléctricos y de instalación.....	45
Requisitos eléctricos	45
Antes de instalar la campana	46
Lista de materiales	47
Piezas suministradas	47
Piezas no suministradas	47
Dimensiones y Espacios libres	48
Tipos de ductos y ejemplos	49
Métodos de ventilación.....	49
Preparación	49
Instalación	50
Instalación -Versión sin tubos (Recirculación)	50
Descripción de la campana y los controles	56
Controles	57
Instrucciones para el servicio de venta y de postventa y mantenimiento.....	59
Limpieza	59
Filtro contra la grasa.....	59
Sustitución de la bombilla.....	60
Filtros de Carbón.....	60

APROBADO PARA APARATOS DE USO DOMÉSTICO SÓLO PARA USO DOMÉSTICO LEA Y GUARDE ESTAS INSTRUCCIONES

ANTES DE CONTINUAR, LEA LAS INSTRUCCIONES POR COMPLETO.

LA INSTALACIÓN DEBE CUMPLIR TODA LA NORMATIVA LOCAL.

IMPORTANTE: guarde estas instrucciones para su uso por parte del inspector de electricidad local.

INSTALADOR: entregue al propietario estas instrucciones junto con la unidad.

PROPIETARIO: conserve estas instrucciones para futuras consultas.

Advertencia de seguridad: antes de realizar el cableado de este aparato, desactive el circuito de energía eléctrica en el panel de servicio y desbloquee el panel.

Requisito: Circuito auxiliar de CA de 120 V, 60 Hz, 15 ó 20 A

LEA Y GUARDE ESTAS INSTRUCCIONES

Aviso de seguridad importante

PRECAUCIÓN

SÓLO PARA USO DE VENTILACIÓN GENERAL. NO UTILIZAR PARA EXPULSAR VAPORES O MATERIALES PELIGROSOS O EXPLOSIVOS.

ADVERTENCIA

PARA REDUCIR EL RIESGO DE FUEGO, DESCARGA ELÉCTRICA O LESIONES PERSONALES, RESPETE LO SIGUIENTE:

- A. Utilice esta unidad solamente en el modo que indica el fabricante. En caso de duda, póngase en contacto con el fabricante.
- B. Antes de reparar o limpiar la unidad, desconecte la alimentación en el panel de servicio y bloquee los medios de desconexión del panel de servicio para evitar la conexión accidental de la alimentación. Si no es posible bloquear los medios de desconexión del panel de servicio, coloque un dispositivo de advertencia que destaque como, por ejemplo, una etiqueta, en el panel de servicio.
- C. La instalación y el cableado eléctrico deben realizarlos personas cualificadas de acuerdo con las normativas y los estándares aplicables, incluida la construcción ignífuga.
- D. Es necesaria una ventilación suficiente para la correcta combustión y expulsión de gases por la salida de humos (Chimenea) del equipo de combustión de carburante para evitar el contratiro. Siga las directrices de fabricantes de equipos de calefacción y los estándares de seguridad como los publicados por la National Fire Protection Association (NFPA), American Society for Heating, Refrigeration and Air Conditioning Engineers (ASHRAE) y las normativas locales.
- E. Al efectuar orificios en una pared o techo, no dañe el cableado eléctrico y otras instalaciones ocultas.
- F. Los sistemas instalados mediante conducto deben tener ventilación con

salida al exterior.

PRECAUCIÓN

Para reducir el riesgo de fuego y conseguir una salida del aire correcta, asegúrese de conducir el aire hacia el exterior. No permita que el aire se expulse en espacios situados en el interior de muros, techos, desvanes, sótanos de pequeña altura o garajes.

ADVERTENCIA

PARA REDUCIR EL RIESGO DE FUEGO, UTILICE SOLAMENTE TUBOS METÁLICOS.

Instale esta campana de acuerdo con los requisitos especificados.

ADVERTENCIA

Para reducir el riesgo de fuego o descarga eléctrica, no utilice esta campana con ningún dispositivo externo en estado sólido para el control de la velocidad.

ADVERTENCIA

PARA REDUCIR EL RIESGO DE INCENDIO OCASIONADO POR GRASA:

- a) No deje nunca ninguna unidad externa desatendida y con valores de fuego altos. La cocción puede causar humo o reboses de grasa que pueden prender fuego. Caliente el aceite a fuego lento o medio.
- b) Encienda siempre la campana cuando cocine a una temperatura alta o cuando realice flameados (Por ejemplo, crepes Suzette, cerezas flameadas, ternera a la pimienta flameada).
- c) Limpie con frecuencia los ventiladores. No permita que la grasa se acumule en el ventilador o filtro.
- d) Utilice un tamaño de sartén adecuado. Utilice siempre piezas de batería de cocina adecuadas al tamaño del elemento de superficie.

**ADVERTENCIA
PARA REDUCIR EL RIESGO DE
LESIONES PERSONALES, EN CASO DE
FUEGO OCASIONADO POR GRASA,
TENGA EN CUENTA LO SIGUIENTE: *)**

- a) EXTINGA LAS LLAMAS con una tapa ajustada, una lámina para hacer galletas u otro tipo de bandeja metálica y apague el quemador de gas o elemento eléctrico. TENGA CUIDADO PARA EVITAR QUEMADURAS. Si las llamas no se extinguen inmediatamente, DESALOJE EL LUGAR Y LLAME A LOS BOMBEROS.
- b) NUNCA TOME UNA SARTÉN EN LLAMAS, podría sufrir quemaduras.
- c) NO UTILICE AGUA, incluidas bayetas o toallas húmedas ya que se produciría una violenta explosión de vapor.
- d) Utilice un extintor **SÓLO** si:
 - 1) Sabe que dispone de un extintor de la clase ABC y conoce su funcionamiento.
 - 2) El fuego es pequeño y se encuentra en la misma zona donde se inició.
 - 3) Ha llamado a los bomberos.
 - 4) Puede luchar contra el fuego teniendo una salida a su espalda.

*) Basado en “Kitchen Fire Safety Tips” publicado por NFPA.

FUNCIONAMIENTO

a. Coloque siempre las rejillas y los filtros de seguridad en su lugar correspondiente. Sin estos componentes, los ventiladores en funcionamiento podrían atrapar su pelo, sus dedos o su ropa.

El fabricante declina toda responsabilidad en caso de fallo de cumplimiento de las instrucciones aquí facilitadas para la instalación, el mantenimiento y el uso adecuado del producto. El fabricante declina además toda responsabilidad por daños ocasionados por negligencia y la garantía de la unidad queda cancelada automáticamente como consecuencia de un mantenimiento incorrecto.

Requisitos eléctricos y de instalación

Requisitos eléctricos

IMPORTANTE

cumpla todas las normativas y ordenanzas gubernamentales.

Es responsabilidad del cliente:

Ponerse en contacto con un instalador eléctrico cualificado.

Asegurarse de que la instalación eléctrica es adecuada y en conformidad con National Electrical Code, ANSI/NFPA 70 (última edición*) o CSA Standards C22.1-94, Canadian Electrical Code, Parte 1 y C22.2 No.0-M91 (última edición*) y toda la normativa y las ordenanzas locales.

Si la normativa lo permite y se utiliza un cable de toma a tierra independiente, se recomienda que un electricista cualificado determine si la difracción de onda de tierra es la adecuada.

No ubique la toma a tierra en una tubería de gas.

Si no está seguro de que la campana está correctamente conectada a tierra, consulte a un electricista cualificado.

No coloque ningún fusible en el circuito neutral o con vuelta por tierra.

IMPORTANTE

Guarde las instrucciones de instalación para su uso por parte del inspector de electricidad.

La campana debe estar conectada únicamente con hilo de cobre.

La campana debe estar conectada directamente al desconectador con fusible (O disyuntor) mediante canal metálico de cables eléctricos.

Los tamaños de cable deben cumplir los requisitos de la National Electrical Code, ANSI/NFPA 70 (última edición*) o CSA Standards C22.1-94, Canadian Electrical

Code, Parte 1 y C22.2 No.0-M91 (última edición*) y toda la normativa y las ordenanzas locales.

Es preciso colocar un conector de canal de cables enumerado en U.L. o C.S.A. en cada extremo del canal de cables de fuente de alimentación (En la campana y en la caja de conexiones).

Se pueden obtener copias de los estándares enumerados en:

* National Fire Protection Association
Batterymarch Park Quincy, Massachusetts 02269

** CSA International 8501 East Pleasant Valley
Road Cleveland, Ohio 44131-5575

Antes de instalar la campana

1. Para obtener una circulación del flujo de aire más eficaz, utilice un tubo de tramo recto o el menor número posible de tubos acodados.
PRECAUCIÓN: el conducto de ventilación solamente debe tener salida hacia la parte exterior del edificio.
2. Para realizar la instalación, se necesitan al menos dos personas. Use guantes para protegerse contra los bordes afilados.
3. La campana se ajusta mediante material adecuados para la mayoría de superficies; consulte a un instalador cualificado para comprobar si quedan perfectamente ajustados al armario o a la pared.
4. Las instalaciones en CONDICIONES CLIMÁTICAS FRÍAS deben tener instalado un regulador de contratiro adicional para minimizar el flujo de aire inverso y una rotura térmica no metálica para minimizar la conducción de temperaturas externas como parte de los tubos. El regulador debe encontrarse en la parte de aire frío de la rotura térmica. La rotura debe estar lo más cerca posible al lugar donde los tubos entran en la parte caliente de la casa.
5. Aire limpio: Las normativas locales para edificios pueden requerir el uso de sistemas de aire limpio cuando se utilizan sistemas de ventilación mediante tubos superiores al CFM especificado de movimiento de aire.
El CFM especificado varía de una zona a otra. Para conocer los requisitos específicos de su zona, consulte a un profesional de HVAC.

Lista de materiales

Piezas suministradas

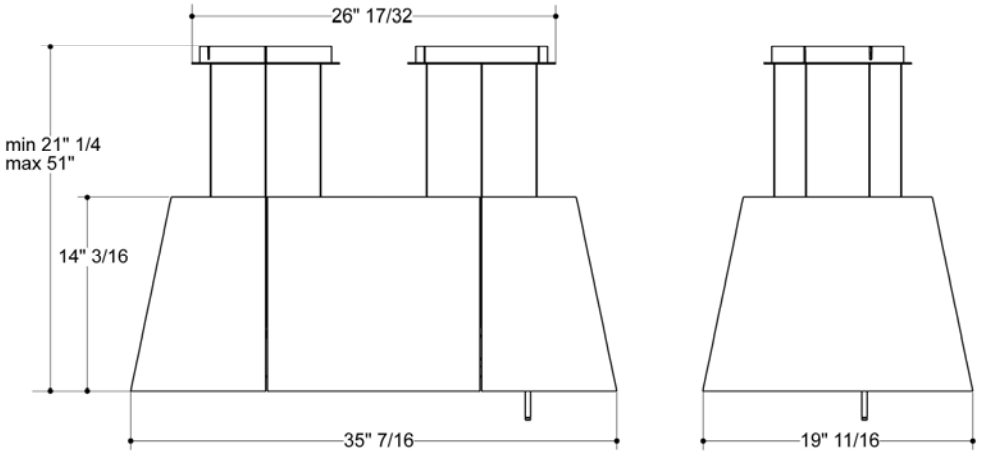
- 2 Unidad de ventilador
- 1 Cobertura estética
- 1 Vidrio
- 2 Filtro metálico
- 2 Bombillas halógenas

- Paquete con tornillos y elementos metálicos:
 - 2 Soporte con cables y enganches
 - 2 Tapa
 - Plantilla
 - Guía de instalación, uso y mantenimiento
 - 1 adaptador Torx T10
 - 1 adaptador Torx T20
 - 6 tornillos 5 x 45 (para montar el soporte al techo)
 - 8 tornillos 3,5 x 6,5 (2 para montar la caja de conexiones al soporte, 6 para montar la campana al soporte)
 - Perillas x 6 (para el fijado de vidrio)
 - Arandelas perfilada con forma de media luna x 6 (para el fijado de los apliques estéticos)
 - Mando de control

Piezas no suministradas

- Canal de cables y todas las herramientas necesarias para la instalación.

Dimensiones y Espacios libres



Tipos de ductos y ejemplos

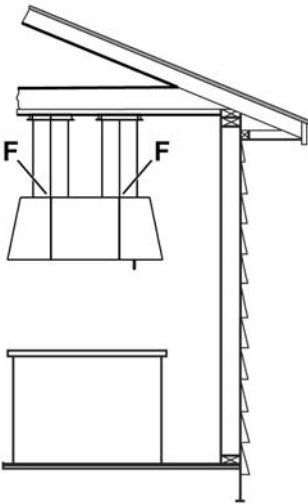
Siga detenidamente las instrucciones expuestas en este manual.

Se declina toda responsabilidad de cualquier inconveniencia, daños o incendios eventuales ocasionados por el incumplimiento de las instrucciones de este manual.

Métodos de ventilación

La campana está suministrada en **versión sin tubos (recirculación)** y debe utilizarse sin conducto de descarga de los humos aspirados.

Humos y vapores son reciclados a través del deflector **F**.



Versión sin tubos (recirculación)

Preparación

No corte una vigueta o un perno a menos que sea absolutamente necesario. Si fuera necesario efectuar el corte, deberá construirse un marco de soporte.

Se suministra el material de ajuste necesario para fijar la campana a la mayoría de tipos de muro o techo.

No obstante, un técnico cualificado debe comprobar la idoneidad de los materiales de acuerdo con el tipo de muro o techo.

Antes de efectuar ningún corte, asegúrese de existe espacio libre adecuado en el techo o muro para la expulsión del aire.

La preferencia de la altura de instalación de la campana de los usuarios es por encima de la cocina. Cuanto más cerca esté la campana de la cocina, mas eficaz resultará la captura de olores, grasa y humos.

PRECAUCION: PARA LA INSTALACION DE ESTUFAS DE GAS: INSTALE ESTA CAMPANA DE TAL MANERA QUE LA CORNISA INFERIOR SE ENCUENTRE A 30" (76,2 CM) SOBRE LA SUPERFICIE DE COCCION.

PARA LA INSTALACION DE ESTUFAS ELECTRICAS: INSTALE ESTA CAMPANA DE TAL MANERA QUE LA CORNISA INFERIOR SE ENCUENTRA A NO MENOS DE 24" (61 CM) Y NO MAS DE 30" (76,2 CM) SOBRE LA SUPERFICIE DE COCCION.

PARA USO ELECTRODOMESTICO. POR FAVOR, LEA EL MANUAL DE INSTALACION PARA UNA INSTALACION ESPECIFICA.

Antes de seleccionar la campana, compruebe la altura del techo y la altura máxima de la campana.

Instalación

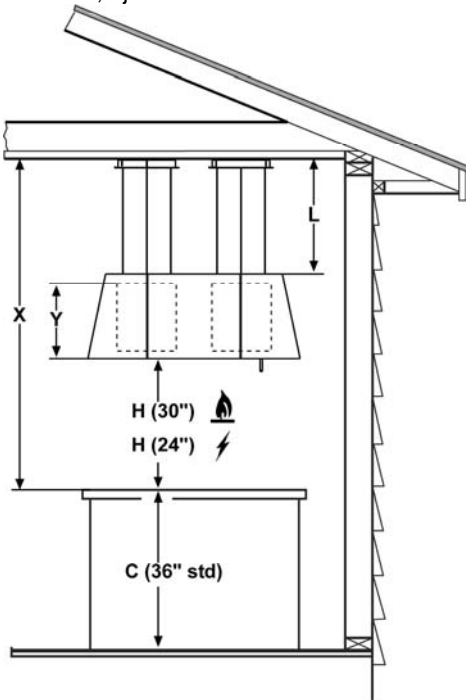
Instalación -Versión sin tubos (Recirculación)

1. Cálculos previos a la instalación

C = Altura de encimera (estándar de 36")
H = Altura preferida de la parte inferior de la campana por encima de la encimera
L = Altura de instalación de estructura de chimenea.

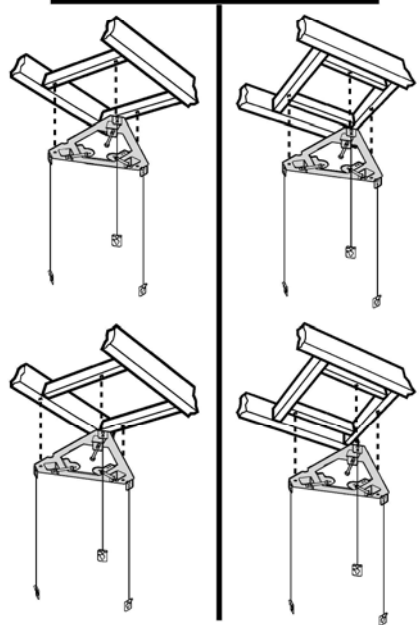
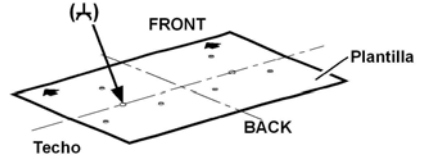
$$L = X - Y - H + 1" \quad 3/16$$

- Seleccione una preferencia de la altura de la campana **H** cómoda para el usuario.
- Calcule la altura de instalación de la campana: $L = X - Y - H + 1" \quad 3/16$.
- Compruebe que el valor de **H** (altura) se encuentra dentro del valor máximo y mínimo de altura para su modelo (consulte el párrafo "Dimensiones y espacios libres"). De lo contrario, ajuste su instalación.



2. Preparación de la superficie de montaje

Instalación de soportes en el techo.



Nota: tenga en cuenta la profundidad de la campana; es posible que la campana tenga una mayor profundidad que la cocina.

- Marque las líneas centrales de la cocina o de la campana en el techo. Utilice las líneas centrales marcadas en el techo para colocar la plantilla de montaje. Observe que en la plantilla se indican la ubicación de la parte delantera de la campana (mediante una flecha), el lateral y los orificios de montaje.

Nota: no olvide que la flecha impresa en la plantilla corresponde a la parte delantera de la campana y, por lo tanto, al lateral donde se colocarán los paneles de control al final de la instalación)

- b.** Retire y guarde la plantilla. Realice un corte y retire el techo aislante. Instale madera con una longitud apropiada de 2" x 4" entre las viguetas para facilitar puntos de montaje de soporte tal y como se indica arriba. Utilice la plantilla para las dimensiones y espacios libres necesarios.

Asegúrese de que la madera queda firmemente ajustada y nivelada. Si tiene dificultades o se trata de una instalación especial, consulte a un profesional. Consulte la plantilla y las ilustraciones anteriores.

- c.** Instale tabique aislante, renueve el acabado del techo

Determine la posición precisa para el canal de cables y realice un orificio de 1-1/4" (3,2 cm) en esta ubicación. Introduzca los cables por dicho orificio de acuerdo con National Electrical Code o CSA Standards y la normativa y las ordenanzas locales.

- d.** Monte el soporte con tornillos de madera (suministrados en el kit de tornillos y elementos de montaje) en las ubicaciones marcadas en la plantilla y después retire esta última.

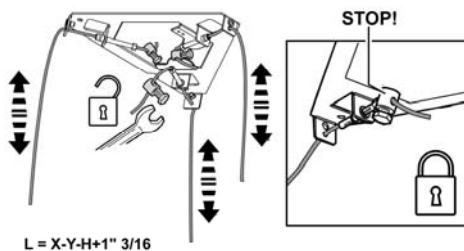
- 3.** Prepare el soporte regulando oportunamente la longitud de los cables, calculada con la siguiente fórmula:

$$L = X - Y - H + 1" \ 3/16$$

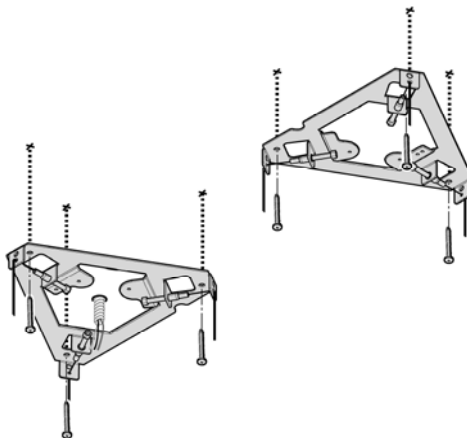
L = longitud de la chimenea

X = distancia entre el techo y el lado inferior de la campana

Tras determinar la longitud correcta de los cables, bloquéelos apretando las correspondientes tuercas con una llave inglesa.

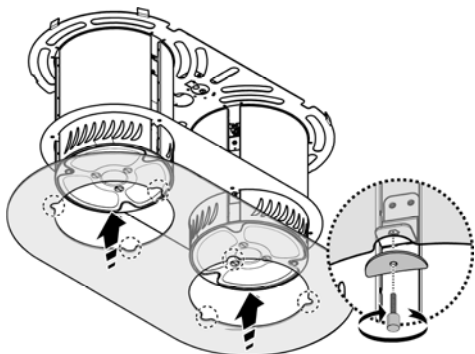


- 4.** Aplique los soportes al techo pasando los cables eléctricos por el orificio central. Fíjelo con 6 tornillos de madera.



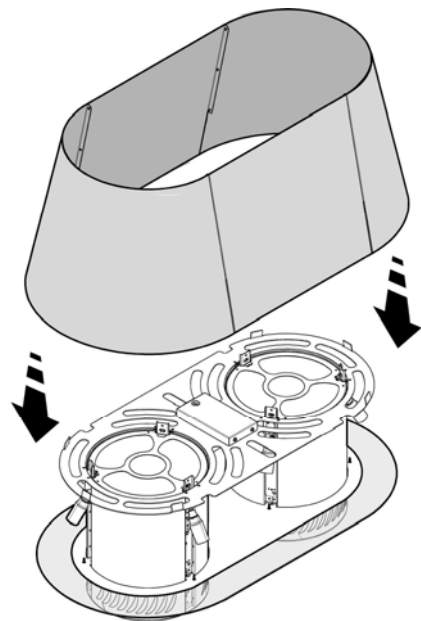
5. Fije el plafón en la campana con 6 tornillos y arandelas perfiladas con forma de media luna.

Advertencia: la circunferencia interna del plafón es achaflanada para coincidir con los puntos de fijación.

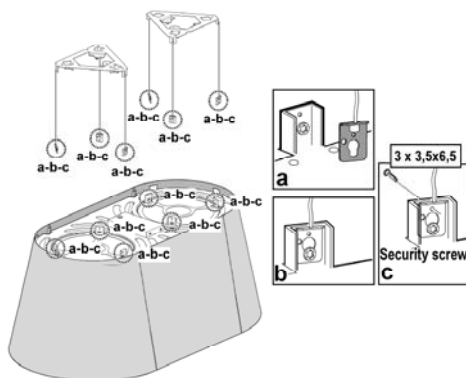


6. Aplique la tapa de cobertura de la campana haciendo pasar por dentro el cable eléctrico de interconexión.

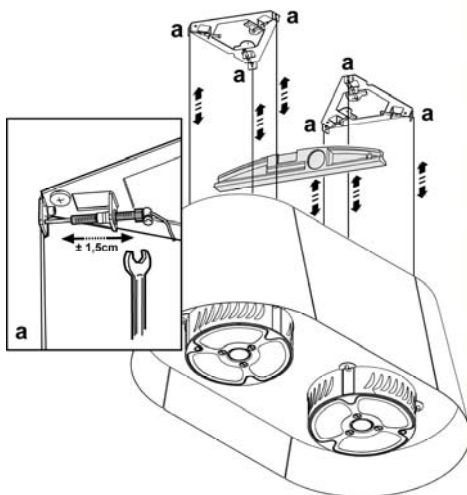
Atención: Compruebe que el cable de interconexión no toque las lámparas.



7. Cuelgue la campana de los enganches y fíjala poniendo un tornillo en cada enganche (FIJACIÓN OBLIGATORIA).



8. Ajuste la posición de la campana con los tornillos de regulación.



9. Conexión eléctrica

ADVERTENCIA

Peligro de descarga eléctrica

Advertencia: antes de realizar el cableado de este aparato, desactive el circuito de energía eléctrica en el panel de servicio.

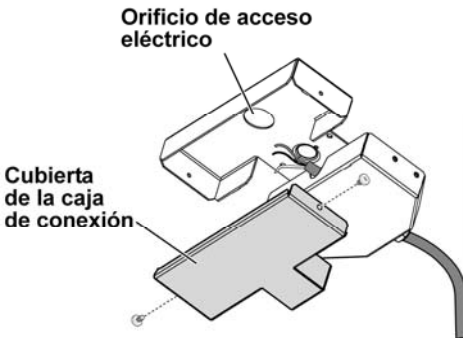
Se requiere un circuito 120 VAC, 15 ó 20 A.

INSTRUCCIONES DE TOMA ELÉCTRICA

ESTE APARATO DISPONE DE UNA CAJA DE CONEXIONES ELÉCTRICAS CON 3 CABLES, UNO DE LOS CUALES (VERDE Y AMARILLO) SIRVE COMO TOMA DE TIERRA PARA EL APARATO PARA PROTEGERSE DE DESCARGAS ELÉCTRICAS, EL CABLE VERDE Y AMARILLO DEBE ESTAR CONECTADO AL CABLE DE TOMA A TIERRA DE SU SISTEMA DOMÉSTICO DE ELECTRICIDAD Y BAJO NINGUNA CIRCUNSTANCIA DEBE CORTARSE O ELIMINARSE.

De lo contrario, podría tener como resultado una descarga eléctrica o la muerte.

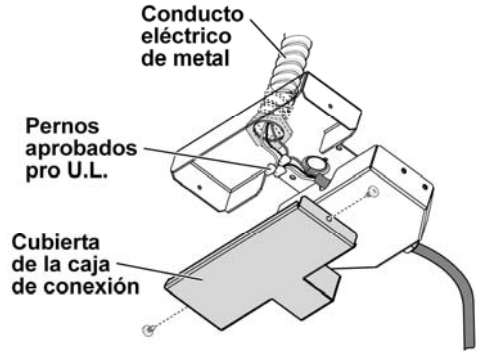
Retire la tapa de la caja de conexiones e instale el conector de canal de cables (Enumerado en cULUS) en la caja de conexiones.



10. Coloque 3 cables (Negro, blanco y verde) de acuerdo con el National Electrical Code y la normativa y las ordenanzas locales en el canal de cables de 1/2" del panel del servicio a la caja de conexiones.

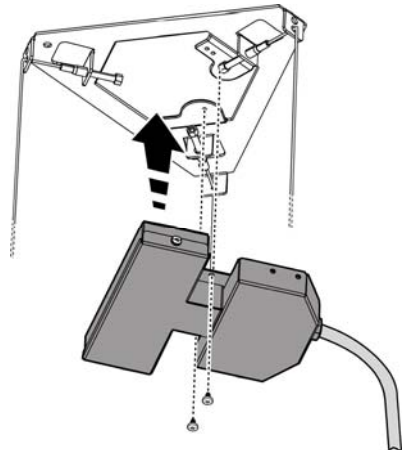
11. Conecte el cable negro del panel de servicio al cable negro o rojo de la caja de conexiones, el cable blanco al blanco y el verde al verde-amarillo.

Cierre la tapa de la caja de conexiones.

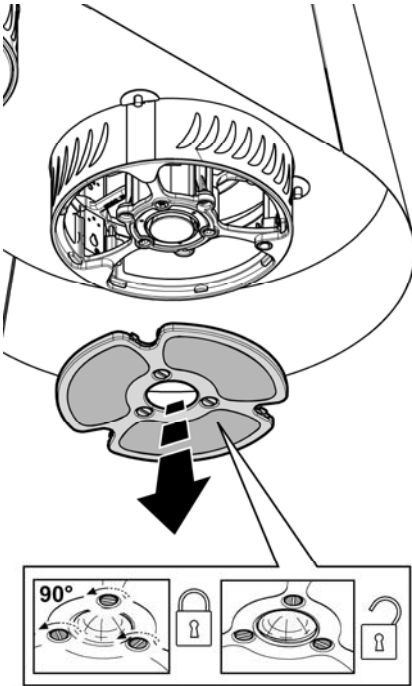


12. Fije la caja de conexiones al soporte en el techo con 2 tornillos.

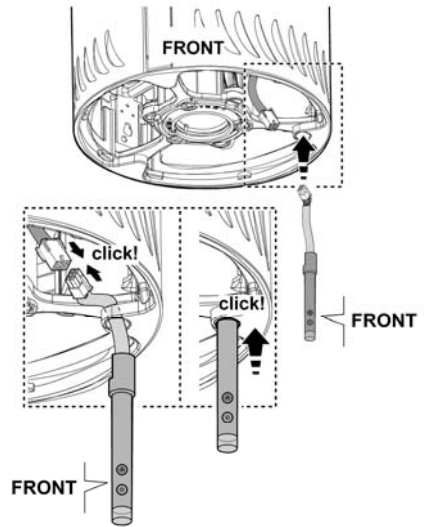
¡Atención! El cable de interconexión ha de ser sustituido por el Servicio de Asistencia Técnica.



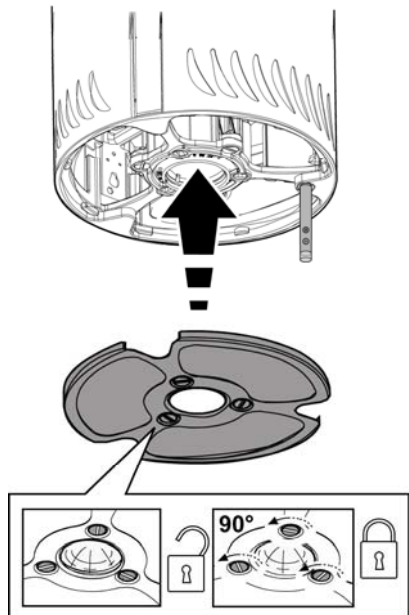
- 13. Remover el filtro anti grasas.**
Para desbloquear, rotar a 90° los 3 pernos de fijado.



- 14. Introducir la barra de control en su lugar empujando hacia arriba.**
Realizar la conexión eléctrica.



- 15. Insertar el filtro anti grasas.**
Para el bloqueo, rotar a 90° los 3 pernos de fijado.

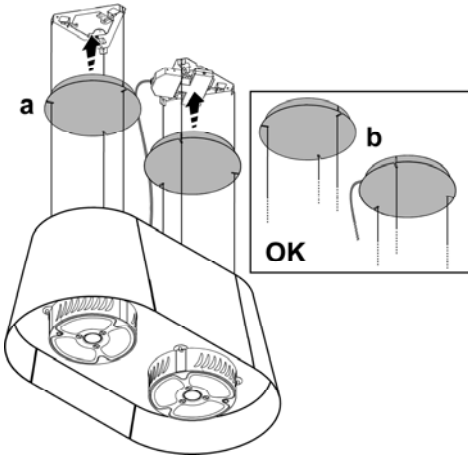


16. Ponga la tapa entre los cables de sostén y controle que dichos cables queden en las ranuras de la tapa.

¡Atención! Deje suficiente cable para que pueda pasar fácilmente por la ranura de la tapa.

Bloquee la tapa con 3 tornillos sin cabeza atornillados al soporte.

Nota: no apriete los 3 tornillos de fijación por completo ya que pueden bloquear la tapa según la fricción que ejerzan sobre ella.



17. Compruebe si todas las bombillas están correctamente instaladas.

Conecte la alimentación en el panel de servicio.

Compruebe el funcionamiento de las luces y el ventilador.

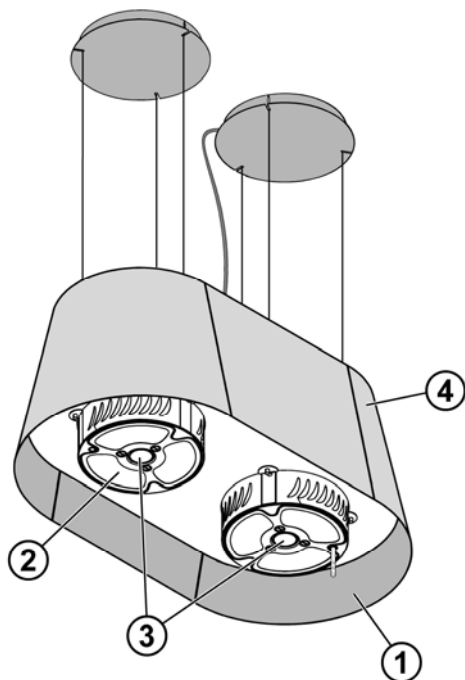
Si la campana extractora no funciona:

- Compruebe si el disyuntor está desconectado o se han fundido los fusibles.
- Desconecte el suministro eléctrico. Compruebe si el cableado es correcto.

Para conseguir el funcionamiento más eficaz de la nueva campana extractora, lea la sección “Uso y mantenimiento”.

Para disponer de una referencia sencilla, siga las Instrucciones de instalación y la Guía de uso y mantenimiento.

Descripción de la campana y los controles



- 1 Panel de control
- 2 Filtro contra la grasa
- 3 Lámpara halógena
- 4 Cobertura estética

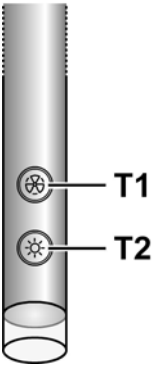
Controles

Usar la potencia de aspiración mayor en caso de particular concentración de vapores de cocina. Aconsejamos de encender la aspiración 5 minutos antes de iniciar a cocinar y dejarla en función por otros 15 minutos aproximadamente.

Descripción del panel de control

La campana está dotada de un dispositivo "TOUCH" para el control de luces y velocidad.

Para el correcto uso leer atentamente las instrucciones que siguen.



Función de encendido automático

La campana extractora está equipada con un sensor de temperatura que activa el motor a la 1a velocidad (potencia) de aspiración en el caso en que la temperatura ambiente en la zona alrededor de la campana extractora supere los 70°C.

El usuario puede apagar o cambiar la velocidad (potencia) de aspiración (ver parágrafo "Control de las velocidades (potencias) de aspiración").

Control de las velocidades (potencias) de aspiración

La selección de las velocidades (potencia) de aspiración es cíclica según la secuencia de velocidad "stand-by - 1-2-3-4- Stand by - 1-2-...", por eso cada vez que se pulsa el botón T1 de la barra de control la velocidad (potencia) de aspiración aumenta de un nivel para apagar (stand-by) si el botón está

todavía pulsado cuando la campana está en velocidad (potencia) de aspiración 4.

Es posible apagar la campana extractora (stand by) también cuando la campana extractora está en una velocidad cualquiera, pulsando de manera prolongada (más de 3 segundos) el botón T1 de la barra de control.

Es posible determinar a cual velocidad (potencia) de aspiración se encuentra la campana extractora en cuanto la barra de control tiene un led que cambia color según la velocidad (potencia) de aspiración como sigue:

Campana en stand-by: LED APAGADO

1a velocidad (potencia) de aspiración - led VERDE

2a velocidad (potencia) de aspiración - led ARANCIONE (ambra)

3a velocidad (potencia) de aspiración - led ROSSO

4a velocidad (potencia) de aspiración - led ROSSO LAMPEGGIANTE)

Nota: la 4a velocidad (potencia) de aspiración queda encendida por 5 minutos, luego el motor de aspiración se coloca en la 2a velocidad.

Pulsando todavía el motor de aspiración se apaga (Stand by).

Necesidad de lavar los filtros antigrasa:

led VERDE RELAMPAGUANTE (leer las instrucciones al "Reset y configuración de la indicación de saturación de filtros")

Necesidad de lavar o cambiar los filtros al carbón : led ANARANJADO (ambra) RELAMPAGUANTE (leer las instrucciones relativas al "Reset y ajuste de la indicación de saturación de los filtros")

Nota: el reset puede ser llevado a cabo sea a través de la barra de control que a través del mando.

Control de la luz central

La luz central puede estar encendida o apagada pulsando el botón T2 de la barra de control.

Control de las luces laterales (cuando establecidas)

Las luces laterales pueden estar encendidas o apagadas pulsando DE MANERA PROLONGADA el botón T2 de la barra de control

Reset y ajuste de la indicación de saturación de los filtros

Encender la campana extractora a una velocidad cualquiera (ver parágrafo aquí arriba “Selección de las velocidades (potencias) de aspiración”)

Reset indicación saturación del filtro antigrasas (LED VERDE RELAMPAGUEANTE en la barra de control)

Proceder primero con el mantenimiento del filtro como descrito en el parágrafo correspondiente.

Pulsar de manera prolongada (más de 3 segundos) el botón T1 de la barra de control el LED cesa de relampaguear a indicar que el reset de la indicación ha sido llevado a cabo, la campana extractora se apaga .

Reset indicación saturación del filtro al carbón (LED ANARANJADO (ambra) RELAMPAGUEANTE)

Proceder primero con el mantenimiento del filtro como descrito en el parágrafo correspondiente.

Pulsar de manera prolongada (má de 3 segundos) el botón T1 de la barra de control , el LED cesa de relampaguear a indicar que el reset de la indicación ha sido llevado a cabo, la campana extractora se apaga.

Desactivación de la indicación de saturación del filtro al carbón (para aplicaciones especiales)

Apagar la campana extractora (ver parágrafo aquí arriba “Selección de las velocidades ((potencia) de aspiración”)

Pulsar de manera prolongada (más de 5 segundos) el botón T1 de la barra de control, el LED relampagueará en VERDE

para indicar que ha sido desactivada la indicación de saturación del filtro al carbón.

Para reactivar la indicación de saturación del filtro al carbón, repetir la operación, el LED relampagueará en ANARANJADO (ambra).

Instrucciones para el servicio de venta y de postventa y mantenimiento

¡Atención! Antes de cualquier operación de limpieza o mantenimiento, retire la campana de la red eléctrica desconectando el enchufe o desconectando el interruptor general de la casa.

Limpieza

La campana debe ser limpiada con frecuencia tanto externamente como internamente (con la misma frecuencia con la que se realiza el mantenimiento de los filtros de grasa). Para la limpieza, utilice un paño impregnado de detergente líquido neutro. No utilice productos que contengan abrasivos. **¡NO UTILICE ALCOHOL!**

ATENCIÓN: De no observarse las instrucciones dadas para limpiar el aparato y sustituir el filtro, puede producirse un incendio. El fabricante recomienda leerlas y respetarlas atentamente.

El fabricante no se hace responsable por los daños al motor o los incendios provocados en el aparato debido a intervenciones de mantenimiento incorrectas o al incumplimiento de las normas de seguridad proporcionadas.

Filtro contra la grasa

Retiene las partículas de grasa producidas cuando se cocina.

El **filtro antigrasa metálico** debe limpiarse una vez al mes con detergentes no agresivos, manualmente o bien en lavavajillas a bajas temperaturas y con ciclo breve.

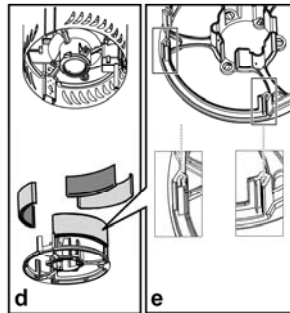
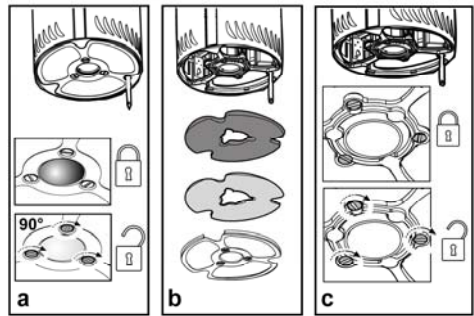
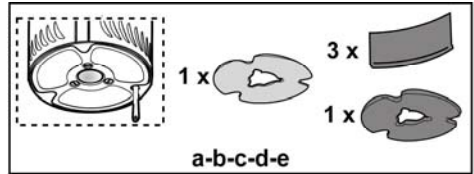
Con el lavado en el lavavajilla el filtro antigrasa metálico puede desteñirse pero sus características de filtrado no cambian absolutamente. El filtro antigrasa metálico y el filtro de carbón están acoplados en la parte inferior (área de aspiración).

Para desmontarlos o montarlos, efectúe las siguientes operaciones:

a+c. desenrosque los 3 tornillos un cuarto de vuelta.

b+d+e. extraiga el bastidor del filtro y quite el filtro antigrasa metálico y el filtro de carbón.

Para el montaje siga el proceso inverso.



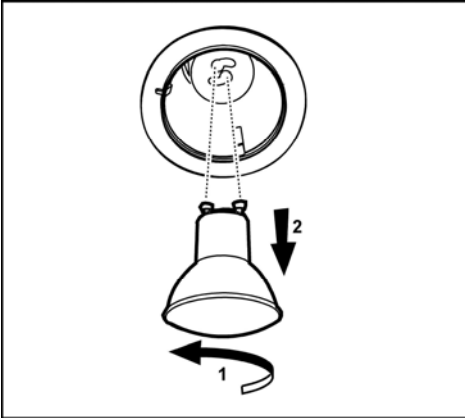
Sustitución de la bombilla

Desconecte el aparato de la red eléctrica.

Atención! Antes de tocar las lámparas asegúrese de que estén frías.

Reemplazar las Luces

- Quitar la luz dañada (girar el contador hacia el sentido de las agujas del reloj) y reemplazar con una nueva luz halógena de 120 V, 50, (máximo) 50° para una base de GU10, **apropiado para el uso en luminarias abiertas.**



Algunos modelos poseen bombillas laterales:

Sustituir con bombillas iguales de 40W max. (E12).

Para encender la bombilla quitar la cobertura.

Si la iluminación no funciona, antes de llamar al servicio de asistencia técnica, controlar que las lámparas estén bien montadas en su sede.

Filtros de Carbón

Retiene los olores desagradables producidos por el cocinado de alimentos.

El filtro al carbón puede lavarse cada dos meses con agua caliente y detergentes adecuados o en lavavajillas a 65°C (en caso de lavado con lavavajillas, realice el ciclo de lavado completo sin platos en el interior.). Quite el agua que haya quedado en el filtro sin estropearlo, después quite el almohadillado situado en el interior del armazón de plástico y póngalo en el horno a 100°C durante diez minutos para secarlo completamente. Cambie el almohadillado cada 3 años y cada vez que el paño se estropee.

