



WALL-MOUNT

ASPIRE SERIES

**Dimensions**

30" W x 19 11/16" D x 15 15/16" H  
 36" W x 19 11/16" D x 15 15/16" H

**Models**

ECM630S2 Como 30" Stainless  
 ECM636S2 Como 36" Stainless

**Special features**



CFM REDUCTION



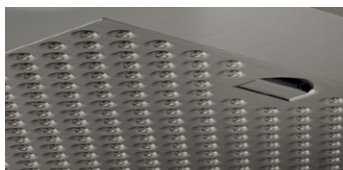
HEAT GUARD



halogen lamps



multi-function electronic controls with LCD display



stainless steel micro hole filters



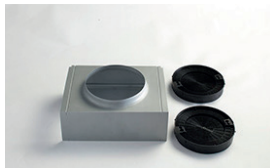
Como combines arched glass wings and stainless steel...the perfect centerpiece for any contemporary kitchen. This gently flowing design is powered by a 600 CFM blower that can handle the demands generated by today's cooktops. The multi-function electronic controls with LCD display, manages the halogen lighting and 4-speed, 600 CFM blower and even has a sensor that tells you when to clean your dishwasher-safe, stainless steel microhole filter.

Designed for standard ducted installation (for heights 7'6" to 10'1"), Como can also be installed as a recirculating system (for heights 7'10" to 10'5") using the Recirculating Kit, available as an accessory..

## FEATURES

<b>Size (in) &amp; Type Finish</b>	30" or 36" wide Wall-mount chimney Stainless Steel + Clear Glass
<b>Controls</b>	Multi-function electronic with LCD display
<b>Illumination</b>	2, 40 Watt Halogen Lamps, 2 Light Intensities (bulbs included)
<b>Installation Type</b>	Ducted or Recirculating Installation Recirculating Kit Sold Separately
<b>Blower Type</b>	600 CFM, 4-Speed Internal
<b>Blower Performance</b>	Speed 1, 160 CFM, 1.6 Sones Speed 2, 280 CFM, 3.5 Sones Speed 3, 470 CFM, 6.6 Sones Speed 4, 600 CFM, 8.7 Sones
<b>Filter Type</b>	1, Dishwasher-Safe, Stainless Steel Micro Hole
<b>Telescopic Chimney Extension</b>	For heights 7'6" - 10'1" (ducted) For heights 7'10" - 10'5" (recirculating)
<b>Duct Transition</b>	6" Round with Back Draft Damper (top)
<b>Electrical</b>	120V-60Hz 530 Watts at 4.4 Amps
<b>Warranty</b>	2 Year Parts & Labor, In-Home Service

## ACCESSORIES



### Optional Recirculating Kit for 30" and 36"

CODE: KIT02721  
MODEL: KIT02721

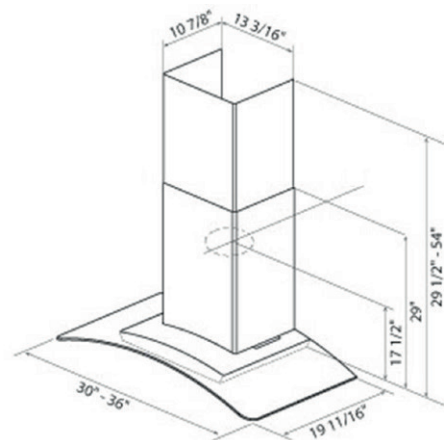


### Optional Long Chimney Extension Kit

Reaches 8'5" - 12'0" (ducted)  
Reaches 8'9" - 12'4" (recirculating)

CODE: KIT0100315  
MODEL: KIT0100315

## LINE DRAWING



## CONSUMABLE PARTS

### Replacement Grease Filter (1)

CODE: GF04YB

### Replacement Carbon Filter (1)

CODE: KIT02667

### Replacement Light Bulb (1)

CODE: 2006DX

Consumable parts are sold in units of one (1). Order accordingly.

## SPECIAL FEATURES



### Elica CRS:

CFM Reduction System (CRS), is an exclusive feature to Elica hoods, which enables the installer to reduce the maximum blower CFM, to meet local code requirements.



### Elica Heat Guard:

A safety feature that protects the hood and cabinetry from excessive heat, by sensing extreme temperatures (>158 degrees) and will automatically adjust the blower speed to HIGH. Blower speed will automatically adjust back once temperatures drop to a safe level.