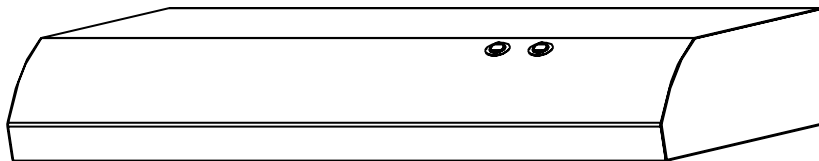


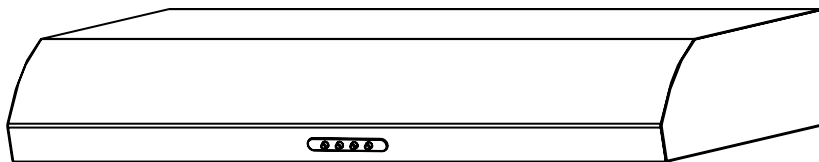
Installation Instructions Guide

Instructions d'installation Guide

Guía de Instrucciones para Instalación



Models: ESN130
EFS130
ERS230



Models: ENM230
ENM236

Models: Santo 30"
Fusaro 30"
Rossa 30"
Nemi 30", 36"

READ AND SAVE THESE INSTRUCTIONS
INSTRUCTIONS D'INSTALLATION GUIDE
LEA Y GUARDE ESTAS INSTRUCCIONES

English page 2
Français page 14
Spanish page 26

Table of Contents

Important Safety Notice	2
Tools and parts	3
Location Requirements	4
Product Dimensions	4
Venting Requirements	4
Venting Methods	5
Calculating Vent System Length	5
Before Installing the hood	6
Installation Instructions	7
Make Electrical Connection.....	10
Complete Installation.....	10
Range Hood Control.....	10
Range Hood Care.....	11
Warranty.....	13

APPROVED FOR RESIDENTIAL APPLIANCES FOR RESIDENTIAL USE ONLY READ AND SAVE THESE INSTRUCTIONS

**PLEASE READ ENTIRE INSTRUCTIONS BEFORE PROCEEDING.
INSTALLATION MUST COMPLY WITH ALL LOCAL CODES.**

IMPORTANT: Save these Instructions for the Local Electrical Inspector's use.

INSTALLER: Please leave these Instructions with this unit for the owner.

OWNER: Please retain these instructions for future reference.

Safety Warning: Turn off power circuit at service panel and lock out panel before wiring this appliance.

Requirement 120 VAC, 60 Hz. 15 or 20 A Branch Circuit

IMPORTANT SAFETY INSTRUCTIONS

WARNING: TO REDUCE THE RISK OF FIRE, ELECTRIC SHOCK, OR INJURY TO PERSONS, OBSERVE THE FOLLOWING:

- Use this unit only in the manner intended by the manufacturer. If you have questions, contact the manufacturer.
- Before servicing or cleaning the unit, switch power off at service panel and lock the service disconnecting means to prevent power from being switched on accidentally. When the service disconnecting means cannot be locked, securely fasten a prominent warning device, such as a tag to the service panel.
- Installation work and electrical wiring must be done by qualified person(s) in accordance with all applicable codes and standards, including fire-rated construction.
- Sufficient air is needed for proper combustion and exhausting of gases through the flue (chimney) of fuel burning equipment to prevent backdrafting. Follow the heating equipment manufacturer's guideline and safety standards such as those published by the National Fire Protection Association (NFPA), the American Society for Heating, Refrigeration and Air Conditioning Engineers (ASHRAE), and the local code authorities.
- When cutting or drilling into wall or ceiling; do not damage electrical wiring and other utilities.
- Ducted fans must always be vented outdoors.

CAUTION: For general ventilating use only. Do not use to exhaust hazardous or explosive materials and vapors.

CAUTION: To reduce risk of fire and to properly exhaust air, be sure to duct air outside - do not vent exhaust air into spaces within walls or ceilings, attics or into crawl spaces, or garages.

WARNING: TO REDUCE THE RISK OF FIRE, USE ONLY METAL DUCTWORK

WARNING: TO REDUCE THE RISK OF A RANGE TOP GREASE FIRE:

- Never leave surface units unattended at high settings. Boilovers cause smoking and greasy spillovers that may ignite. Heat oils slowly on low or medium settings.
- Always turn hood ON when cooking at high heat or when flambeing food (i.e. Crepes Suzette, Cherries Jubilee, Peppercorn Beef Flambé).
- Clean ventilating fans frequently. Grease should not be allowed to accumulate on fan or filter.
- Use proper pan size. Always use cookware appropriate for the size of the surface element.

WARNING: TO REDUCE THE RISK OF INJURY TO PERSONS IN THE EVENT OF A RANGE TOP GREASE FIRE, OBSERVE THE FOLLOWING:^a

- SMOTHER FLAMES with a close fitting lid, cookie sheet, or metal tray, then turn off the burner. BE CAREFUL TO PREVENT BURNS. If the flames do not go out immediately, EVACUATE AND CALL THE FIRE DEPARTMENT.
- NEVER PICK UP A FLAMING PAN - you may get burned.
- DO NOT USE WATER, including wet dishcloths or towels - a violent steam explosion will result.
- Use an extinguisher ONLY if:
 - You know you have a class ABC extinguisher, and you already know how to operate it.
 - The fire is small and contained in the area where it started.
 - The fire department is being called.
 - You can fight the fire with your back to an exit.

^aBased on "Kitchen Fire Safety Tips" published by NFPA.

- **WARNING:** To reduce the risk of fire or electrical shock, do not use this fan with any solid-state speed control device.

READ AND SAVE THESE INSTRUCTIONS

Tools and Parts

Gather the required tools and parts before starting installation. Read and follow the instructions provided with any tools listed here.

Tools needed (all models)

- Drill
- 1¼" (3.0 cm) drill bit
- ⅛" (3.0 mm) drill bit for pilot holes
- Pencil
- Wire stripper or utility knife
- Tape measure or ruler
- Caulking gun and weatherproof caulking compound
- Flat-blade screwdriver
- Phillips screwdriver

- Saber or keyhole saw
- Metal snips
- Compass or 8" (20.3 cm) circle template

Parts Supplied (all models)

- 4 - 3.5 x 9.5 mm mounting screws
- T-10 Torx®† adapter

Parts Needed (all models)

- 3 - UL listed wire connectors
- Vent clamps

For cabinets with recessed bottoms:

- Two 2" (5.1 cm) wide filler strips. Length and thickness determined by recess dimensions.
- Four flat head wood screws or machine screws with washers and nuts (to attach filler strips).

†®TORX is a registered trademark of Saturn Fasteners, Inc.

Models EFS130 (ducted installation)

Parts Supplied

- 2 - 3.5 x 9.5 mm screws.
- 3¼" x 10" (8.3 x 25.4 cm) rectangular vent connector.

Parts Needed

- Wall or roof cap to match vent system
- 1 - 75W max, 120V incandescent light bulb.
- 3¼" x 10" (8.3 x 25.4 cm) rectangular metal vent system
- 3¼" (8.3 cm) rectangular damper No return valve (optional). Accessories part No. EXXNRVRT

Models ERS230 (ducted or non ducted (recirculation) installation)

Parts Supplied

- 2 - 3.5 x 9.5 mm screws
- 3¼" x 10" (8.3 x 25.4 cm) rectangular vent connector

Parts Needed

- 2 - 40W max, 120V incandescent light bulb
- Wall or roof cap to match vent system

For 7" (17.8 cm) round vented installations:

- 7" (17.8 cm) round metal vent system
- 7" (17.8 cm) round vent mounting plate. Accessories part. No. EXXTRK07
- 7" (17.8 cm) round damper non return valve (optional). Accessories part No. EXXNRVRD

For 3¼" x 10" (8.3 x 25.4cm) rectangular vented installations:

- 3¼" x 10" (8.3 x 25.4 cm) rectangular metal vent system
- 3¼" (8.3 x 25.4 cm) rectangular damper No return valve. (optional). Accessories part No. EXXNRVRT

For non-vented (recirculation) installations:

Recirculation kit. Accessories part No. ERSRCK30

Models ESN130 (non ducted [recirculation] installation)

Parts Needed

- 1 - 75W max, 120V incandescent light bulb.

Models ENM230 / ENM236 (ducted or non ducted [recirculation] installation)

Parts Supplied

- 2 - 3.5 x 5 mm screws
- 3¼" x 10" (8.3 x 25.4 cm) rectangular vent connector with damper non return valve

Parts Needed

- 2 - 50W max, 120V halogen lamps
- Wall or roof cap to match vent system

For 7" (17.8 cm) round vented installations:

- 7" (17.8 cm) round metal vent system
- 7" (17.8 cm) round vent mounting plate. Accessories part. No. EXXTRK07
- 7" (17.8 cm) round damper non return valve (optional). Accessories part No. EXXNRVRD

For 3¼" x 10" (8.3 x 25.4cm) rectangular vented installations:

- 3¼" x 10" (8.3 x 25.4 cm) rectangular metal vent system

For non-vented (recirculation) installations:

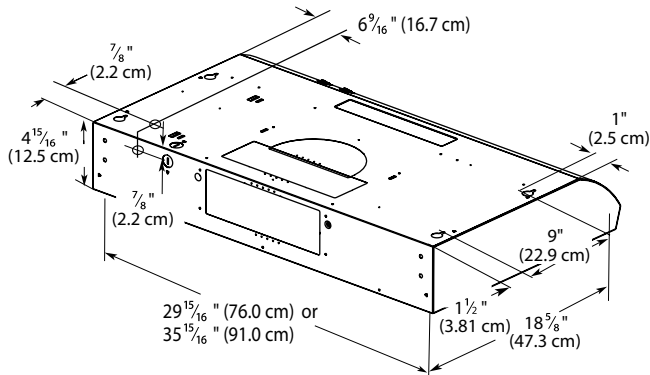
- Recirculation kit. ENM230 / ENM236: Accessories part No. ENMRCK36

LOCATION REQUIREMENTS

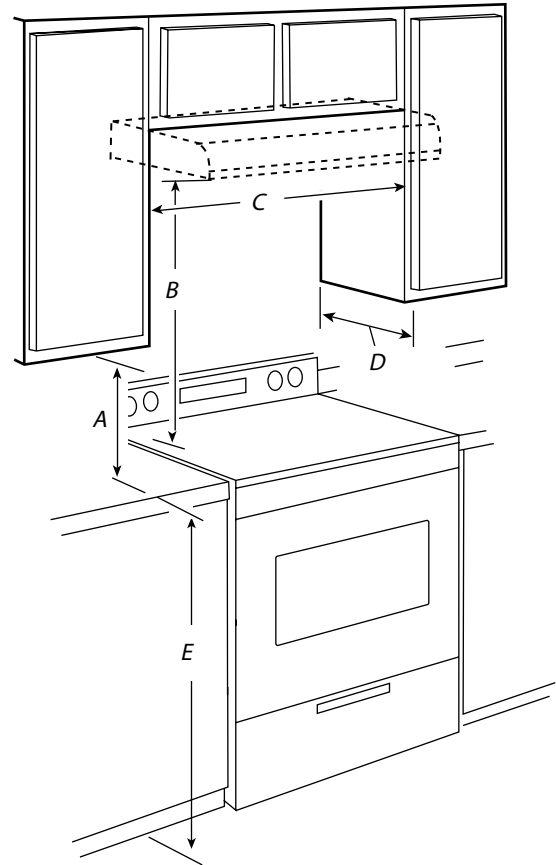
IMPORTANT: Observe all governing codes and ordinances.

- It is the installer's responsibility to comply with installation clearances specified on the model/serial rating plate. The model/serial rating plate is located inside the range hood on the left wall.
- Range hood location should be away from strong draft areas, such as windows, doors and strong heating vents.
- Cabinet opening dimensions that are shown must be used. Given dimensions provide minimum clearance. Consult the cooktop/range manufacturer installation instructions before making any cutouts.
- Grounded electrical outlet is required. See "Electrical Requirements" section.
- All openings in ceiling and wall where range hood will be installed must be sealed.
- These range hoods are factory set for vented installations. Models that are capable of being installed as non-vented (recirculating) require charcoal filters. See the "Accessories" section to order recirculation kit.

Product Dimensions



Installation Clearances



- A. 18" (45.7 cm) min. clearance - upper cabinet to countertop
- B. 18" (45.7 cm) to 24" (61.0 cm) suggested max. - bottom of range hood to cooking surface
- C. 30" (76.2 cm) min. cabinet opening width for 30" (76.2 cm) models and 36" (91.4 cm) min. cabinet width for 36" (91.4 cm) models.
- D. 13" (33.0 cm) cabinet depth
- E. 36" (91.4 cm) base cabinet height

VENTING REQUIREMENTS

- Vent system must terminate to the outdoors, except for no vented (recirculating) installations.
- Do not terminate the vent system in an attic or other enclosed area.
- Do not use a 4" (10.2 cm) laundry-type wall cap.
- Use a 7" (17.8 cm) round metal vent or a 3 1/4" x 10" (8.3 x 25.4 cm) rectangular metal vent, depending on your model. Rigid metal vent is recommended. Plastic or metal foil vent is not recommended.
- The length of vent system and number of elbows should be kept to a minimum to provide efficient performance.

For the most efficient and quiet operation:

- Use no more than three 90° elbows.
- Make sure there is a minimum of 24" (61 cm) of straight vent between the elbows if more than 1 elbow is used.
- Do not install 2 elbows together.
- Use clamps to seal all joints in the vent system.
- The vent system must have a damper. If roof or wall cap has a damper, do not use damper supplied with the range hood.
- Use caulking to seal exterior wall or roof opening around the cap.

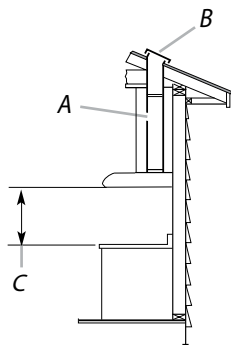
Cold Weather Installations

An additional back draft damper Non return valve should be installed to minimize backward cold air flow and a thermal break should be installed to minimize conduction of outside temperatures as part of the vent system. The damper Non return valve should be on the cold air side of the thermal break. The break should be as close as possible to where the vent system enters the heated portion of the house.

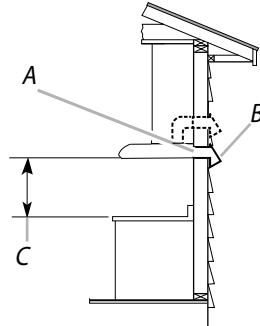
Venting Methods

Vent system can terminate either through the roof or wall. Use 3¼" x 10" (8.3 x 25.4 cm) rectangular with a maximum vent length of 35 ft (10.7 m) or 7" (17.8 cm) or larger round vent with a maximum length of 50 ft (15.2 m) for vent system. NOTE: Flexible vent is not recommended. Flexible vent creates back pressure and air turbulence that greatly reduces performance.

Roof Venting



Wall Venting



- A. 7" (17.8 cm) round vent through roof (purchased separately). 3¼" x 10" (8.3 x 25.4 cm) rectangular vent through the roof (purchased separately).
- B. Roof cap (purchased separately)
- C. 18" (45.7 cm) min. to 24" (61.0 cm) max. above the cooking surface.

- A. 7" (17.8 cm) round vent out the top and through the wall (purchased separately). 3¼" x 10" (8.3 x 25.4 cm) rectangular vent through the wall or out the top (purchased separately).
- B. Wall cap (purchased separately)
- C. 18" (45.7 cm) min. to 24" (61.0 cm) max. above the cooking surface.

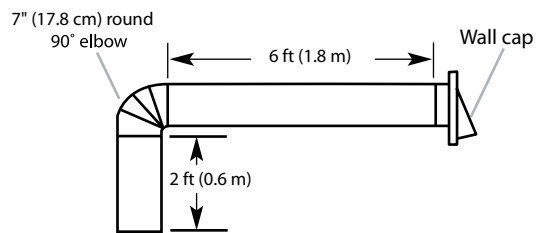
Calculating Vent System Length

To calculate the length of the system you need, add the equivalent feet (meters) for each vent piece used in the system.

7" (17.8 cm) Round Vent System

Vent Piece	Round	
45° elbow	2.5 ft (0.8 m)	
90° elbow	5.0 ft (1.5 m)	
7" (17.8 cm)	0.0 ft (0.0 m)	
3¼" x 10" (8.3 cm x 25.4 cm) to 7" (17.8 cm)	4.5 ft (1.4 m)	
3¼" x 10" (8.3 cm x 25.4 cm) to 7" (17.8 cm) 90° elbow	5.0 ft (1.5 m)	

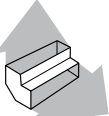
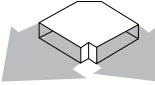
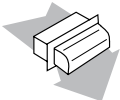
Example Vent System



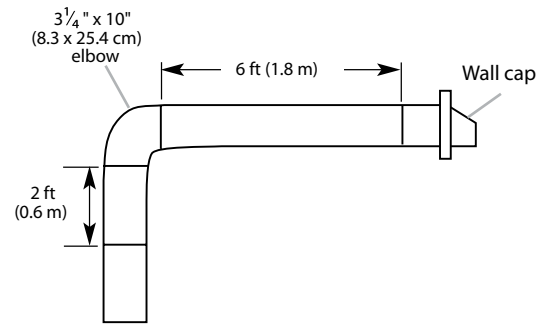
Maximum Recommended Length = 50 ft (15.2 m)

1 - 90° elbow	= 5.0 ft (1.5 m)
1 - wall cap	= 0.0 ft (0.0 m)
8 ft (2.4 m) straight	= 8.0 ft (2.4 m)
Length of 7" (17.8 cm) system	= 13.0 ft (3.9 m)

7" (17.8 cm) Round Vent System

Vent Piece	Round	
45° elbow	2.5 ft (0.8 m)	
90° elbow	5.0 ft (1.5 m)	
7" (17.8 cm)	0.0 ft (0.0 m)	

Example Vent System



Maximum Recommended Length = 50 ft (15.2 m)

1 - 90° elbow	= 5.0 ft (1.5 m)
8 ft (2.4 m) straight	= 8.0 ft (0.0 m)
1 - wall cap	= 0.0 ft (2.4 m)
Length of 3 1/4" x 10" (8.3 cm x 25.4 cm) system	= 13.0 ft (3.9 m)

Before installing the hood

PLAN THE INSTALLATION:

Recommended mounting height is 18" to 24" from the bottom of the range hood to the top of the cooking surface.

The hood should be mounted to the bottom of a standard wall cabinet. If the hood must be mounted directly to a wall, secure the hood to wall studs.

All wiring must comply with local codes and the unit must be properly grounded. The hood is connected to a 110 - 120 VAC lighting circuit (15 Amp) in the circuit breaker or fuse box.

The model **ESN130** is non-ducted

The model **EFS130** is ducted

The models **ERS230**, **ENM230** and **ENM236** are convertible (they may be installed as a ducted or as a non-ducted unit).

IF THE RANGE HOOD IS TO BE NON - DUCTED:

Purchase Accesories Recirculation (non ducted) kit

ERS230: ERSRCK30

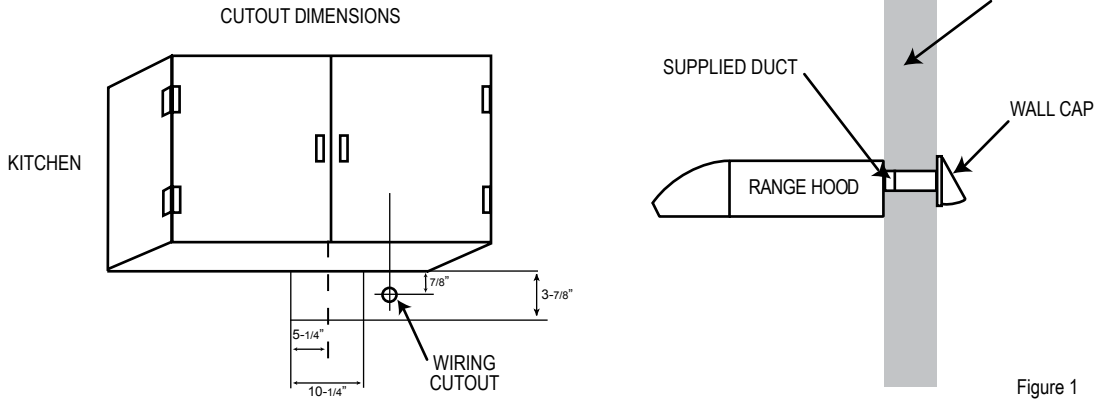
ENM230 / ENM236: ENMRCK36

IF THE RANGE HOOD IS TO BE DUCTED:

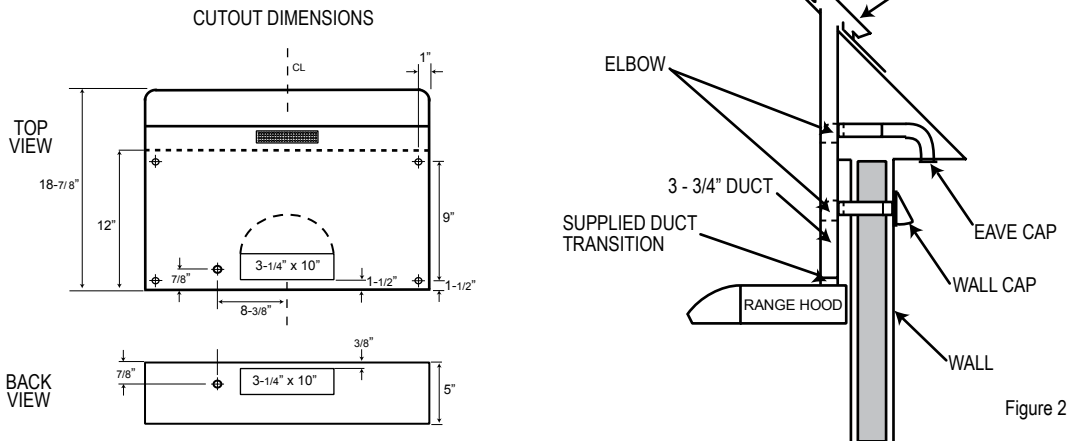
- Ductwork can be installed vertically or horizontally.
- Duct runs should be as short as possible.
- Avoid the use of elbows.
- Use duct tape at all joints.
- Do not use duct smaller than the discharge on the hood.
- For 7" round ductwork installation, purchase accessory transition Kit:
 - 7" (17.8 cm) round vent mounting plate. Accesories Part No. EXXTRK07 (purchased separately).
 - 7" (17.8 cm) round damper Non return valve. Accesorie Part No. EXXNRVRD (purchased separately).
- For 3 1/4" x 10" (8.3 x 25.4 cm) rectangular ductwork installation:
 - 3 1/4" x 10" (8.3 x 25.4 cm) rectangular vent conector is supplied.
 - If needed purchase 3 1/4" x 10" (8.3 x 25.4 cm) rectangular damper non return valve. Accesories Part No. EXXNRVRT

Installation Instructions

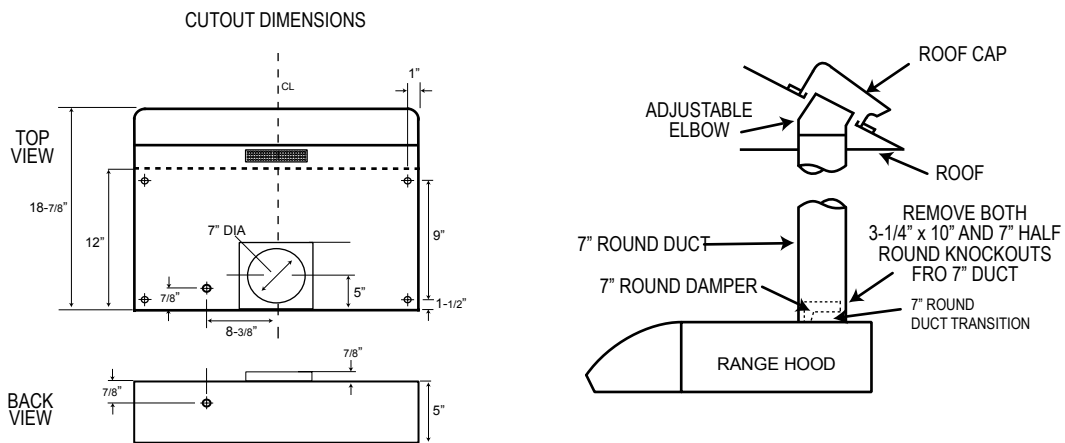
HORIZONTAL DISCHARGE THROUGH WALL



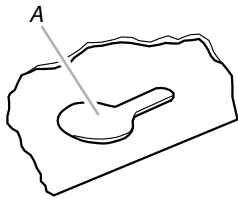
VERTICAL DISCHARGE USING 3 - 3/4" X 10" DUCT



VERTICAL DISCHARGE USING 7" ROUND DUCT

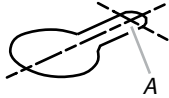


- Lift the range hood up under cabinet and determine final location by centering beneath cabinet. Mark on the underside of cabinet the location of the 4 keyhole mounting slots on the range hood. Set range hood aside on a covered surface.



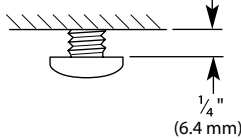
A. Keyhole slot

- Use $\frac{1}{8}$ " (3 mm) drill bit and drill 4 pilot holes as shown.

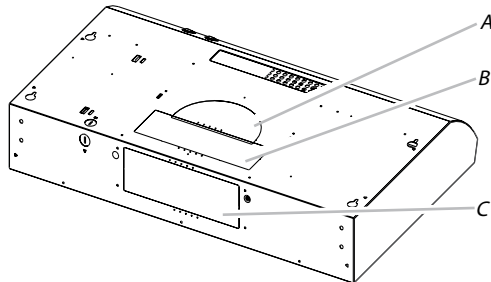


A. Drill pilot hole

- Install the 4 - 4.5 mm x 13 mm mounting screws in pilot holes. Leave about $\frac{1}{4}$ " (6.4 mm) space between screw heads and cabinet to slide range hood into place.



- Remove transition knockouts depending on your model.



A. Round vent knockout
B. Top rectangular vent knockout
C. Rear rectangular vent knockout

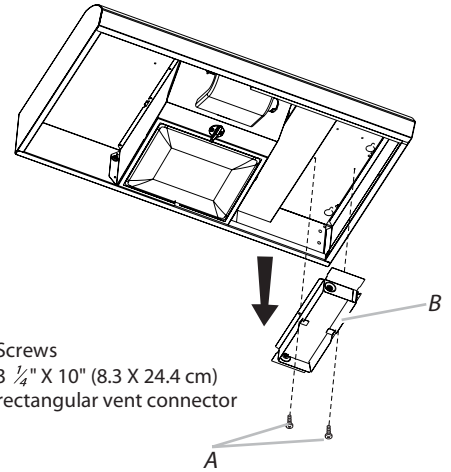
Round vent system installations - Remove top rectangular and round vent knockouts.

Rectangular vent system installations - For roof installations, remove the top rectangular vent knockout. For wall installations, remove the rear rectangular vent knockout

Non-ducted (recirculating) installations - Do not remove any knockouts.

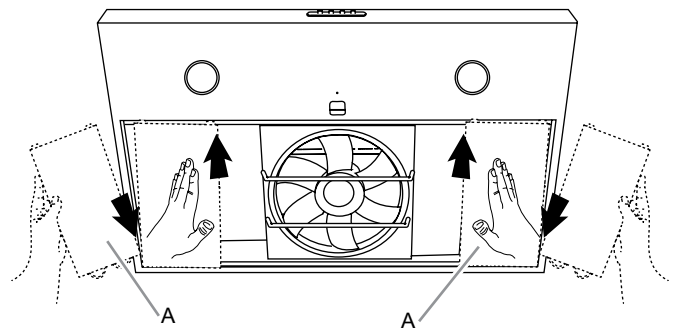
- Remove metal grease filters. See the "Range Hood Care" section. For the ENM series models, first remove the lateral panels
NOTE: You will have 3 $\frac{1}{4}$ " x 10" (8.3 x 25.4 cm) rectangular vent connector inside your range hood. Some models are recirculation (non-ducted only) and will not have vent connector.
- Remove the 3- $\frac{1}{4}$ " x 10" (8.3 x 25.4 cm) rectangular vent connector attached with screws or taped on the inside your range hood.

models: ESN
EFS
ERS

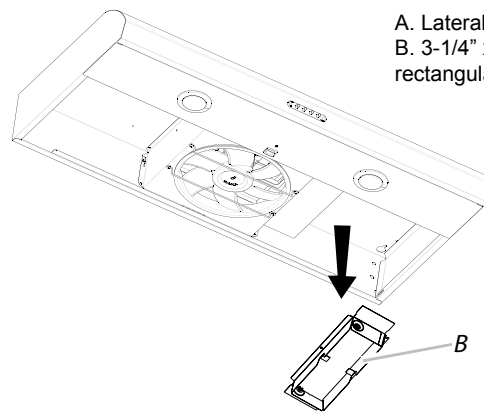


A. Screws
B. 3 $\frac{1}{4}$ " x 10" (8.3 x 24.4 cm) rectangular vent connector

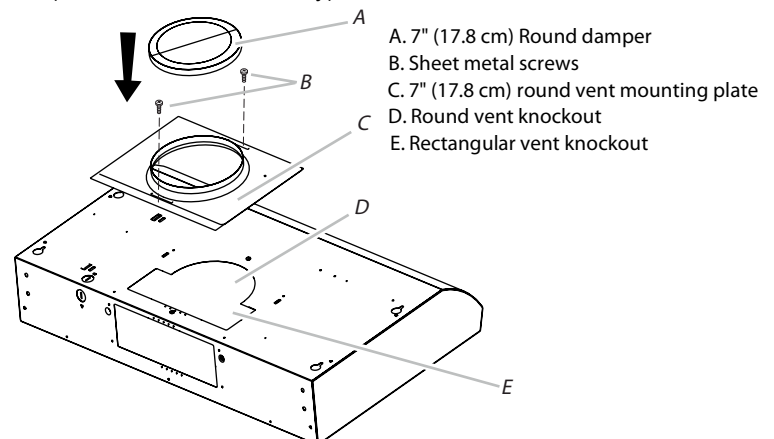
model: ENM



A. Lateral panels
B. 3- $\frac{1}{4}$ " x 10" (8.3 x 25.4 cm) rectangular vent connector

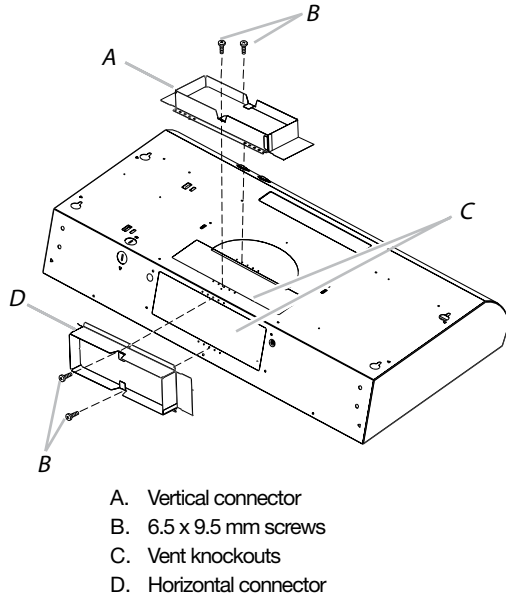


- For round installation: Install 7" (17.8 cm) round vent mounting plate and damper or 3 $\frac{1}{4}$ " x 10" (8.3 x 25.4 cm) vent connector, depending on your vent system installation. (Purchase as an accessory).

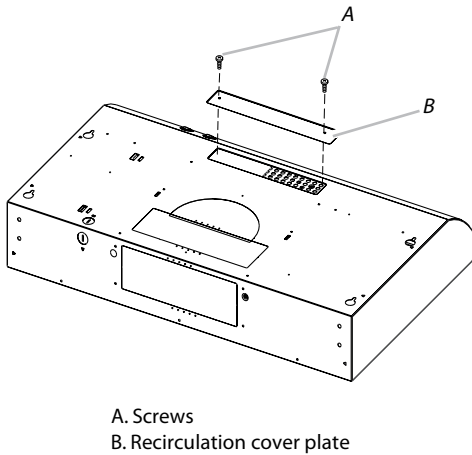


A. 7" (17.8 cm) Round damper
B. Sheet metal screws
C. 7" (17.8 cm) round vent mounting plate
D. Round vent knockout
E. Rectangular vent knockout

NOTE: The 3¼" x 10" (8.3 x 25.4 cm) rectangular vent connector can be installed up to 1" (2.5 cm) on either side of the hood center to accommodate off center ductwork.



- If a vent damper is installed with a wall cap with damper, check to make sure they do not interfere with each other. Remove the vent connector damper flap if they interfere.
- **Non-ducted (recirculating) installations** - No vent attachments. The ERS230, ENM230 and ENM236 series models requires the removal of the recirculation cover plate. Remove the two screws from the recirculation cover plate and remove.

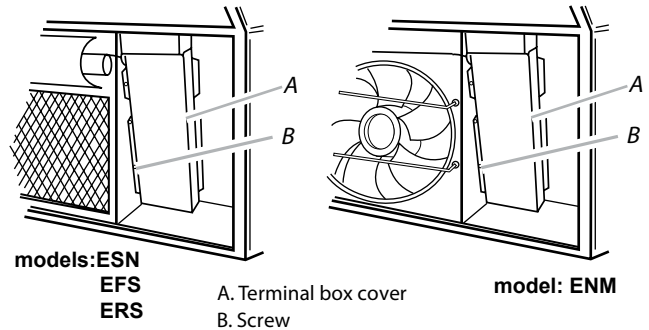


Power Supply Cable Installation

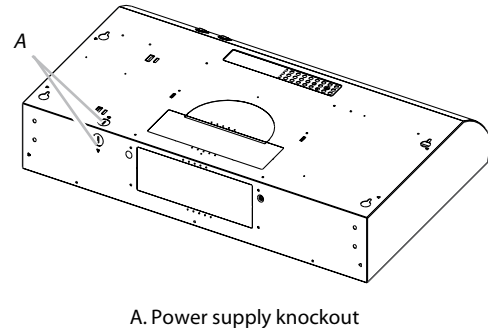
1. For direct wire installations, run the home power supply cable according to the National Electric Code or CSA standards and local codes and ordinances. There must be enough wiring from the fused disconnect (or circuit breaker) box to make the connection in the hood electrical terminal box. For optional power supply cord kit installations, follow the instructions included with the power supply cord kit.

NOTE: Do not reconnect power until the installation is complete.

2. Remove the screw from the terminal box cover. Remove terminal box cover and set aside.




3. Remove the power supply knockout from the top or rear of the vent hood (depending on the incoming location of your home power supply cable) and install a UL Listed or CSA approved ½" strain relief.



4. Using 2 or more people, lift the hood into final position. Feed enough electrical wire through the ½" UL listed or CSA approved strain relief to make connections in the terminal box. Tighten the strain relief screws.
5. Position the range hood so that the large end of the keyhole slots are over the mounting screws. Then push the hood toward the wall so that the screws are in the neck of the slots. Tighten the mounting screws, making sure the screws are in the narrow neck of slots.
6. Connect ventwork to hood. Seal joints with clamps to make secure and airtight.
7. Check that back draft dampers work properly.

Make Electrical Connection

⚠ WARNING



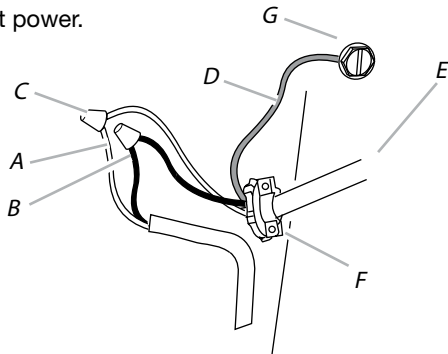
Electrical Shock Hazard

Disconnect power before servicing.

Replace all parts and panels before operating.

Failure to do so can result in death or electrical shock.

1. Disconnect power.




- | | |
|--------------------------------|--|
| A. White wires | E. Home power supply cable |
| B. Black wires | F. UL listed or CSA approved
1/2" strain relief |
| C. UL listed wire connector | G. Green ground screw |
| D. Green (or bare) ground wire | |

2. Use UL listed wire connectors and connect white wires (A) together.
3. Use UL listed wire connectors and connect black wires (B) together.
4. Connect green (or bare) ground wire from power supply to green ground screw in terminal box. Be sure the ground wire is secured and the screw is well tight.

5. Install terminal box cover.
6. Reconnect power.

⚠ WARNING



Fire Hazard

Electrically ground the blower.

Use copper wire.

Connect ground wire to green ground screw in terminal box.

Failure to do so can result in death, fire, or electrical shock.

Improper grounding can result in a risk o electrical shock. Consult a qualified electrician if the grounding instructions are not completely understood, or if doubt exists as to wheter the appliance is properly grounded.

Complete Installation

7. For the ESN130 and EFS130 series install the 75 W (max.) incandescent light bulb and for the ERS230 series install the 40 W (max.) incandescent light bulb. For the ENM230 and ENM236 series install the 50W (max) halogen lamps. See Range Hood Care section.
8. Replace grease filter if removed. See the "Range Hood Care" section.
9. Check the operation of the range hood fan and light. See "Range Hood Control" section. If range hood does not operate, check to see whether a circuit breaker has tripped or a household fuse has blown. Disconnect power and check wiring connections.

NOTE: To get the most efficient use from your new range hood, read the "Range Hood Control" section.

RANGE HOOD CONTROL

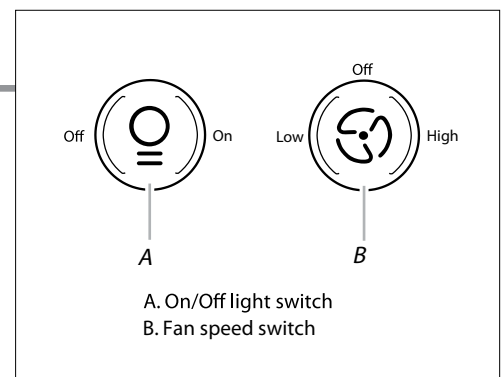
ESN130, EFS136 & ERS230 Series Models Control and features:

Operating the light

Push the light switch to the left to turn the light Off. Push the light switch to the right to the turn the light On.

Operating the fan

Push the fan switch to the left for Low speed. Push the fan switch to the right for High speed. Push the fan switch to the middle for Off.



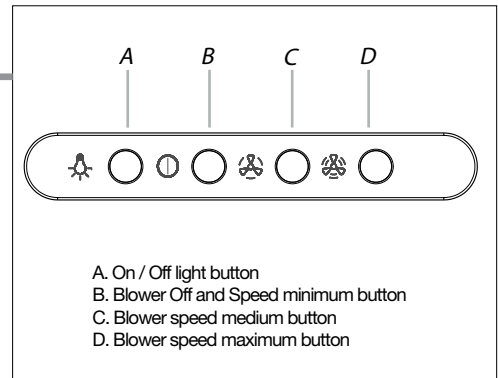
ENM230 and ENM236 Series Models Control and features:

Operating the light

The On/Off light button controls both lights. Press once for On and again for Off.

Operating the blower

The BLOWER SPEED buttons turn the blower on and control the blower speed and sound level for quiet operation. The speed can be changed anytime during fan operation by pressing the desired blower speed button. Press the BLOWER OFF button a second time to turn the blower off.



RANGE HOOD CARE

CLEANING

IMPORTANT: Clean the hood and grease filters frequently according to the following instructions. Replace grease filter before operating the hood. Reinstall grease filter correctly and replace the screw in the vent system.

Exterior Surfaces:

IMPORTANT: Do not use soap-filled scouring pads, abrasive cleaners, Cooktop Polishing Creme, steel wool, gritty washcloths or paper towels. To avoid damage to the stainless steel, do not use cleaners that contain chlorine.

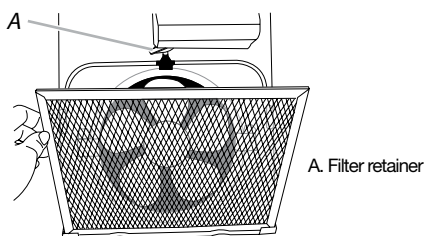
Cleaning Method:

- Rub in direction of grain to avoid scratching or damaging the surface.
- For stainless steel models, use a special stainless steel cleaner and polish.
- Liquid detergent or all-purpose cleaner: Rinse with clean water and dry with soft, lint-free cloth.
Glass cleaner to remove fingerprints.

Metal Grease Filter (ESN, EFS and ERS Series Models)

For ducted installations:

1. Remove screw from the grease filter retainer.
2. Turn the grease filter retainer to release filter.
3. Wash metal filters as needed in dishwasher or hot detergent solution.
4. Reinstall the filter by placing the back edge in the channel at rear of hood. Push filter into place, turn the filter retainer to secure filter to range hood.



5. Replace screw in the grease filter retainer

For non-ducted (recirculation) installations:

The charcoal filter is not washable. It should last up to 6 months with normal use.

1. Replace metal grease filter with a charcoal filter. For information on ordering, see the "Accessories" section.

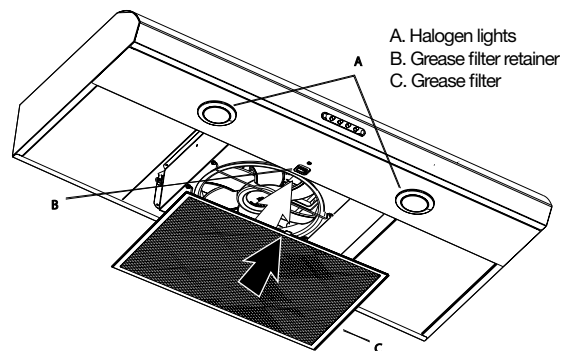
To replace filter:

1. Remove screw from the grease filter retainer.
2. Turn the grease filter retainer to release filter.
3. Reinstall the filter by placing the back edge in the channel at rear of hood. Push filter into place, turn the filter retainer to secure filter to range hood.
4. Replace screw in the grease filter retainer.

Metal Grease Filter (For ENM Series Models)

For ducted installations:

1. Press the grease filter retainer to release filter.
2. Wash metal filter as needed in dishwasher or hot detergent solution.
3. Reinstall the filter by placing the back edge in the channel at rear of hood. Push filter into place, push down the filter retainer to secure filter to range hood.



For non-vented (recirculating) installations:

The charcoal filter is not washable. It should last up to 6 months with normal use.

1. Replace metal grease filter with a charcoal filter. For information on ordering, see the "Accessories" section.

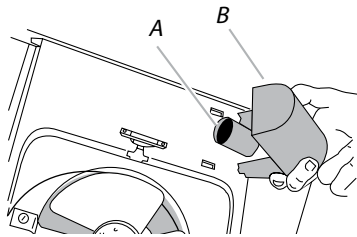
To replace filter:

1. Remove screw from the grease filter retainer.
2. Turn the grease filter retainer to release filter.
3. Reinstall the filter by placing the back edge in the channel at rear of hood. Push filter into place, turn the filter retainer to secure filter to range hood.

REPLACE THE INCANDESCENT LIGHT BULB (ESN130, EFS130 & ERS230 SERIES MODELS)

Turn off the range hood and allow the light bulb to cool.

1. Disconnect power.
2. Squeeze the plastic lens cover and remove it from the hood.
3. Screw a new 120v 75W (maximum), A19 light bulb into socket.
NOTE: In two lamps ERS models, use two 40W light bulbs instead of 75W.
4. Replace lens cover by squeezing cover and inserting tabs into slots.



A. Light bulb socket (A19)
B. Lens cover

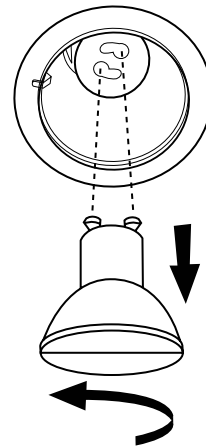
5. Reconnect power.
6. If new light does not operate, make sure the lamp is inserted correctly before calling service.

REPLACING THE HALOGEN LAMP (ENM230 & ENM236 SERIES MODELS)

Turn off the range hood and allow the halogen lamp to cool. To avoid damage or decreasing the life of the new bulb, do not touch bulb with bare fingers. Replace bulb, using tissue or wearing cotton gloves to handle bulb.

If new lamps do not operate, make sure the lamps are inserted correctly before calling service.

1. Disconnect power.
2. Push up on the lens and turn it counterclockwise.
3. Remove the bulb and replace it with a 120-volt, 50-watt maximum halogen bulb with a GU10 base. Turn it clockwise to lock it into place.
4. Repeat steps 2-3 for the other bulbs if needed.
5. Reconnect power.



WARRANTY

ELICA North America

TWO-YEARS LIMITED WARRANTY

TO OBTAIN SERVICE UNDER WARRANTY

Owner must present proof of original purchase date. Please keep a copy of your dated proof of purchase (sales slip) in order to obtain service under warranty.

PARTS AND SERVICE WARRANTY

For the period of two (2) years from the date of the original purchase, Elica will provide free of charge, non consumable parts or components that failed due to manufacturing defects. During these two (2) years limited warranty, Elica will also provide free of charge, all labor and in-home service to replace any defective parts.

WHAT IS NOT COVERED

- Damage or failure to the product caused by accident or act of God, such as, flood, fire or earthquake.
- Damage or failure caused by modification of the product or use of non-genuine parts.
- Damage or failure to the product caused during delivery, handling or installation.
- Damage or failure to the product caused by operator abuse.
- Damage or failure to the product caused by dwelling fuse replacement or resetting of circuit breakers.
- Damage or failure caused by use of product in a commercial application.
- Service trips to dwelling to provide use or installation guidance.
- Light bulbs, metal or carbon filters and any other consumable part.
- Normal wear of finish.
- Wear to finish due to operator abuse, improper maintenance, use of corrosive or abrasive cleaning products/pads and oven cleaner products.

WHO IS COVERED

This warranty is extended to the original purchaser for products purchased for ordinary residential use in North America (Including the United States, Guam, Puerto Rico, US Virgin Islands & Canada).

This warranty is non-transferable and applies only to the original purchaser and does not extend to subsequent owners of the product. This warranty is made expressly in lieu of all other warranties, expressed or implied, including, but not limited to any implied warranty of merchantability or fitness for a particular purpose and all other obligations on the part of Elica North America, provided, however, that if the disclaimer of implied warranties is ineffective under applicable law, the duration of any implied warranty arising by operation of law shall be limited to two (2) years from the date of original purchase at retail or such longer period as may be required by applicable law.

This warranty does not cover any special, incidental and/or consequential damages, nor loss of profits, suffered by the original purchaser, its customers and/or the users of the Products.

WHO TO CONTACT

To obtain Service under Warranty or for any Service Related Question

Please Call:

- Elica North America Authorized Service at (888) 732-8018

Or by Writing To:

- Elica North America, Attention Customer Service,
222 Merchandise Mart Plaza Suite 947
Chicago, IL 60654 USA
infoamericas@elica.com

Table des Matières

Sécurité de la hotte de cuisinière.....	13
Outils et pièces.....	14
Exigences d'emplacement.....	15
Dimensions du produit	15
Exigences de ventilation.....	15
Méthodes d'évacuation	16
Calcul de la longueur du conduit	16
Avant d'installer la hotte.....	17
Instructions d'installation	19
Raccordement électrique.....	21
Achever l'installation	21
Commandes de la hotte de cuisinière.....	22
Entretien de la hotte.....	23
Garantie.....	25

APPROUVÉ POUR LES APPAREILS RÉSIDENTIELS POUR UTILISATION RÉSIDENNELLE UNIQUEMENT. LIRE ET CONSERVER CES INSTRUCTIONS.

VEUILLEZ S.V.P. LIRE AVANT DE COMMENCER.

INSTALLATION DOIT ÊTRE CONFORME AUX CODES LOCAUX.

IMPORTANT: Conservez ces instructions pour l'électricien

INSTALLATEUR: Veuillez laisser ces instructions avec cet appareil pour le propriétaire.

PROPRIÉTAIRE: Veuillez garder ces instructions pour référence future.

Avertissement de securite: Coupez le circuit électrique au panneau de service et verrouillez le panneau avant de brancher cet appareil.

Un circuit de dérivation 120 VAC, 60 Hz. 15 or 20 A est nécessaire

IMPORTANTES INSTRUCTIONS DE SÉCURITÉ

AVERTISSEMENT: POUR RÉDUIRE LE RISQUE D'INCENDIE, CHOC ÉLECTRIQUE OU DOMMAGES CORPORELS, RESPECTER LES INSTRUCTIONS SUIVANTES :

- Utiliser cet appareil uniquement dans les applications envisagées par le fabricant. Pour toute question, contacter le fabricant.
- Avant d'entreprendre un travail d'entretien ou de nettoyage, interrompre l'alimentation de la hotte au niveau du tableau de disjoncteurs, et verrouiller le tableau de disjoncteurs pour empêcher tout rétablissement accidentel de l'alimentation du circuit. Lorsqu'il n'est pas possible de verrouiller le tableau de disjoncteurs, placer sur le tableau de disjoncteurs une étiquette d'avertissement proéminente interdisant le rétablissement de l'alimentation.
- Tout travail d'installation ou câblage électrique doit être réalisé par une personne qualifiée, dans le respect des prescriptions de tous les codes et normes applicables, y compris les codes du bâtiment et de protection contre les incendies.
- Une source d'air de débit suffisant est nécessaire pour le fonctionnement correct de tout appareil à gaz (combustion et évacuation des gaz à combustion par la cheminée), pour qu'il n'y ait pas de reflux des gaz de combustion. Respecter les directives du fabricant de l'équipement de chauffage et les prescriptions des normes de sécurité - comme celles publiées par la National Fire Protection Association (NFPA) et l'American Society for Heating, Refrigeration and Air Conditioning Engineers (ASHRAE), et les prescriptions de autorités réglementaires locales.
- Lors d'opérations de découpage et de perçage dans un mur ou un plafond, veiller à ne pas endommager les câblages électriques ou canalisations qui peuvent s'y trouver.
- Les ventilateurs d'évacuation doivent toujours décharger l'air à l'extérieur.

MISE EN GARDE: Pour minimiser le risque d'incendie et évacuer adéquatement les gaz, veiller à acheminer l'air aspiré par un conduit jusqu'à l'extérieur - ne pas décharger l'air aspiré dans un espace vide du bâtiment comme une cavité murale, un plafond, un grenier, un vide sanitaire ou un garage.

AVERTISSEMENT: POUR RÉDUIRE LE RISQUE D'INCENDIE, UTILISER UNIQUEMENT DES CONDUITS MÉTALLIQUES.

AVERTISSEMENT:: POUR MINIMISER LE RISQUE D'UN FEU DE GRAISSE SUR LA CUISINIÈRE :

- Ne jamais laisser un élément de surface fonctionner à puissance de chauffage maximale sans surveillance. Un renversement/débordement de matière grasseuse pourrait provoquer une inflammation et la génération de fumée. Utiliser une puissance de chauffage moyenne ou basse pour le chauffage d'huile.
- Veiller à toujours faire fonctionner le ventilateur de la hotte lors de la cuisson avec une puissance de chauffage élevée ou lors de la cuisson d'un mets à flamber (à savoir crêpes Suzette, cerise jubilee, steak au poivre flambé).
- Nettoyer fréquemment les ventilateurs d'extraction. Veiller à ne pas laisser la graisse s'accumuler sur les surfaces du ventilateur ou des filtres. Utiliser toujours un ustensile de taille appropriée. Utilisez toujours un ustensile adapté à la taille de l'élément chauffant.

AVERTISSEMENT: POUR RÉDUIRE LE RISQUE DE DOMMAGES CORPORELS APRÈS LE DÉCLENCHEMENT D'UN FEU DE GRAISSE SUR LA CUISINIÈRE, APPLIQUER LES RECOMMANDATIONS SUIVANTES :

- Placer sur le récipient un couvercle bien ajusté, une tôle à biscuits ou un plateau métallique **POUR ÉTOUFFER LES FLAMMES**, puis éteindre le brûleur. **VEILLER À ÉVITER LES BRÛLURES**. Si les flammes ne s'éteignent pas immédiatement, **ÉVACUER LA PIÈCE ET APPELER LES POMPIERS**.
 - **NNE JAMAIS PRENDRE EN MAIN UN RÉCIPENT ENFLAMMÉ** - vous risquez de vous brûler.
 - **NE PAS UTILISER D'EAU**, ni un torchon humide - ceci pourrait provoquer une explosion de vapeur brûlante.
 - Utiliser un extincteur **SEULEMENT** si :
 - Il s'agit d'un extincteur de classe ABC, dont on connaît le fonctionnement.
 - Il s'agit d'un petit feu encore limité à l'endroit où il s'est déclaré.
 - Les pompiers ont été contactés.
 - Il est possible de garder le dos orienté vers une sortie pendant l'opération de lutte contre le feu.
- aRecommandations tirées des conseils de sécurité en cas d'incendie de cuisine publiés par la NFPA.

AVERTISSEMENT: Pour réduire le risque d'incendie ou de décharge électrique, ne pas utiliser ce ventilateur avec un quelconque dispositif de réglage de la vitesse à semiconducteurs.

LIRE ET CONSERVER CES INSTRUCTIONS

Outils et pièces

Rassembler les outils et pièces nécessaires avant d'entreprendre l'installation. Lire et observer les instructions fournies avec chacun des outils de la liste ci-dessous.

Outils nécessaires (tous les modèles)

- Perceuse
- Foret de 1¼" (3.0 cm)
- Foret de ⅛" (3.0 mm) pour avant-trous
- Crayon
- Pince à dénuder ou couteau utilitaire
- Ruban à mesurer ou règle
- Pistolet à calfeutrage et composé de calfeutrage résistant aux intempéries
- Tournevis à lame plate
- Tournevis Philips

- Scie sauteuse ou scie à guichet
- Cisaille de ferblantier
- Compas ou gabarit de diamètre 8" (20,3 cm)

Pièces fournies (tous les modèles)

- 4 vis de montage de 4,5 x 13 mm
- Raccord d'adaptation T-10 Torx®†

Pièces nécessaires (tous les modèles)

- 3 connecteurs de fils homologués UL
- Brides de conduit/ruban adhésif (selon le besoin)

Pour placards avec cavité au fond:

- Deux tringles d'appui de largeur 2" (5,1 cm). Longueur e épaisseur selon les dimensions de l'encastrement.
- Quatre vis à bois à tête plate ou vis à métaux avec rondelles et écrous, pour la fixation des tringles d'appui.

†®TORX est une marque déposée de Saturn Fasteners, Inc.

Modèles EFS130 (Installation avec décharge à l'extérieur)

Pièces fournies

- 2 vis de 3,5 x 9,5 mm
- Module connecteur de conduit rectangulaire de 3¼" x 10" (8,3 x 25,4 cm)

Pièces nécessaires

- Bouche de décharge murale ou à travers le toit correspondant au système d'évacuation
- 1 ampoule à incandescence de 75 watts max., 120 V
- Module clapet/connecteur de conduit rectangulaire de 3¼" x 10" (8,3 x 25,4 cm)
- 3¼" (8.3 cm) rectangulaire clapet anti-retour (Facultatif)
No. del accesorie EXXNRVRT

Modèle ERS230 (installation avec ou sans décharge à l'extérieur [recyclage])

Pièces fournies

- 2 vis de 3,5 x 9,5 mm
- Module connecteur de conduit rectangulaire de 3¼" x 10" (8,3 x 25,4 cm)

Pièces nécessaires

- 1 ampoule à incandescence de 40 watts max., 120 V
- Bouche de décharge murale ou à travers le toit correspondant au système d'évacuation

Installations avec décharge à l'extérieur et conduits ronds de 7" (17,8 cm) :

- Système de conduit d'évacuation métallique rond de 7" (17,8 cm)
- Système de conduit d'évacuation métallique rond de 7" (17,8 cm). Pièce no. EXXTRK07
- Clapet anti-reflux rond de 7" (17,8 cm) (facultative)
Pièce no. EXXNRVRT

Installations avec décharge à l'extérieur et conduits rectangulaire de 3¼" x 10" (8,3 x 25,4 cm) :

- Module connecteur de conduit rectangulaire de 3¼" x 10" (8,3 x 25,4 cm)
- 3¼" (8.3 x 25,4 cm) rectangulaire clapet anti-retour (Facultatif)
Pièce no. EXXNRVRT

Installations sans décharge à l'extérieur (recyclage) :

- Ensemble de recyclage.
Pièce no. ERSRCK30

Modèles ESN130 (installation sans décharge à l'extérieur [recyclage])

Pièce nécessaire

- 1 ampoule à incandescence de 75 watts max., 120 V

Modèles ENM230 / ENM236 (installation avec ou sans décharge à l'extérieur [recyclage])

Pièces fournies

- 2 vis de 3,5 x 5 mm
- Module connecteur de conduit rectangulaire de 3¼" x 10" (8,3 x 25,4 cm) avec clapet anti retour

Pièces nécessaires

- Max 50W, 120V lampes à halogène
- Bouche de décharge murale ou à travers le toit correspondant au système d'évacuation

Installations avec décharge à l'extérieur et conduits ronds de 7" (17,8 cm) :

- Système de conduit d'évacuation métallique rond de 7" (17,8 cm)
- Système de conduit d'évacuation métallique rond de 7" (17,8 cm). Pièce no. EXXTRK07
- Clapet anti-reflux rond de 7" (17,8 cm). Clapet anti retour (Facultatif). Pièce no. EXXTRK07

Installations avec décharge à l'extérieur et conduits rectangulaire de 3¼" x 10" (8,3 x 25,4 cm) :

- Module connecteur de conduit rectangulaire de 3¼" x 10" (8,3 x 25,4 cm)

Installations sans décharge à l'extérieur (recyclage) :

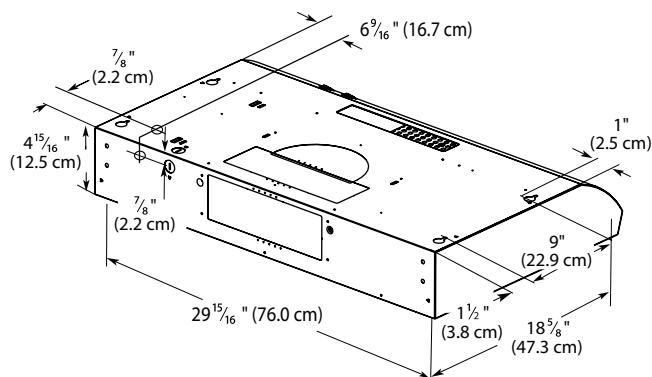
- Recyclage Ensemble.
ENM230 / ENM236: Pièce no. ENMRCK30

EXIGENCES D'EMPLACEMENT

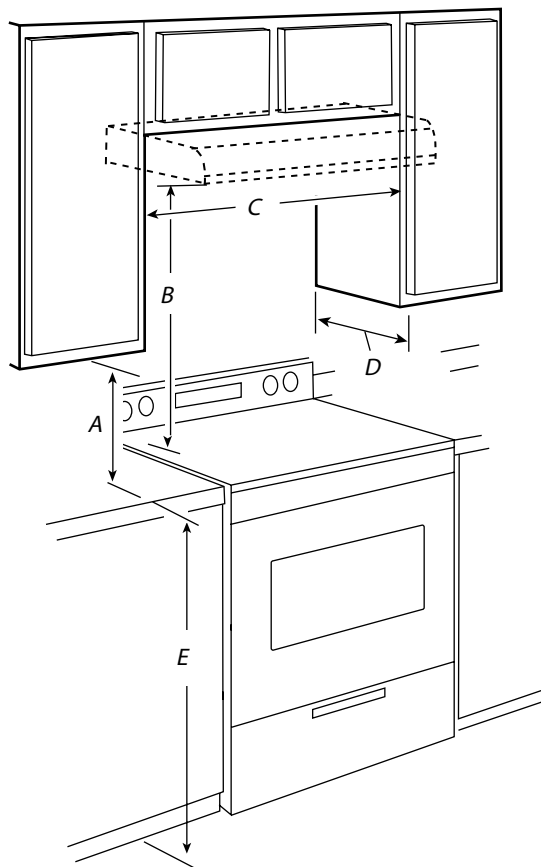
IMPORTANT: Observer les dispositions de tous les codes et règlements en vigueur.

- C'est à l'installateur qu'incombe la responsabilité de respecter les distances de séparation exigées et spécifiées sur la plaque signalétique de l'appareil. La plaque signalétique est située à l'intérieur de la hotte, sur la paroi de gauche.
- Installer la hotte de cuisinière à distance de toute zone exposée à des courants d'air, comme fenêtres, portes et bouches de chauffage à fort débit.
- Respecter les dimensions indiquées pour les ouvertures à découper dans les placards. Ces dimensions tiennent compte des valeurs minimales des dégagements de séparation. Avant d'effectuer des découpages, consulter les instructions d'installation fournies par le fabricant de la table de cuisson/cuisinière.
- On doit disposer d'une prise de courant électrique reliée à la terre. Voir la section "Spécifications électriques".
- Assurer l'étanchéité au niveau de chaque ouverture découpée dans le plafond ou le mur pour l'installation de la hotte de cuisinière.
- Ces hottes de cuisinière ont été configurées à l'usine pour une installation avec décharge à l'extérieur. Les modèles pouvant être installés dans une configuration sans décharge à l'extérieur (recyclage) nécessitent des filtres à charbon. Voir la section "Accessoires" pour commander un ensemble de filtre à charbon.

Dimensions du produit



Dégagements de séparation



- A. Dégagement min. de 18" (45,7 cm) entre le placard supérieur et le plan de travail
- B. 18" (45,7 cm) à 24" (61,0 cm) : distance maximale suggérée du bas de la hotte à la surface de cuisson
- C. 30" (76,2 cm) de largeur de cabinet min. pour les modèles de 30" (76,2 cm) et 36" (91,4 cm) de largeur min. de placard pour les modèles de 36" (91,4 cm).
- D. Profondeur de placard 13" (33 cm)
- E. Hauteur de placard du bas 36" (91,4 cm)

EXIGENCES DE VENTILATION

- Le système d'évacuation doit décharger l'air à l'extérieur, excepté pour les installations sans décharge à l'extérieur (recyclage).
- Ne pas terminer le circuit d'évacuation dans un grenier ou dans un autre espace clos.
- Ne pas utiliser une bouche de décharge murale de 4" (10,2 cm) normalement utilisée pour un équipement de buanderie.
- Utiliser un conduit métallique rond de 7" (17,8 cm) ou un conduit métallique rectangulaire de $3\frac{3}{4}$ " x 10" (8,3 x 25,4 cm), selon le modèle. Un conduit en métal rigide est recommandé. Ne pas utiliser de conduit de plastique ou en aluminium.
- La longueur du système d'évacuation et le nombre de coudes doit être réduit au minimum pour des performances optimales.

Pour un fonctionnement efficace et silencieux :

- Ne pas utiliser plus de 3 coudes à 90°.
- Veiller à ce qu'il y ait une section droite de conduit d'un minimum de 24" (61 cm) entre les raccords coudés, si on doit en utiliser plus d'un.
- Ne pas installer 2 coudes successifs.
- Au niveau de chaque jointure du circuit d'évacuation, assurer l'étanchéité avec les brides de serrage.
- Le circuit d'évacuation doit comporter un clapet anti-reflux. Si la bouche de décharge murale ou par le toit comporte un clapet, ne pas utiliser le clapet fourni avec la hotte de cuisinière.
- À l'aide d'un produit de calfeutrage, assurer l'étanchéité autour de la bouche de décharge à l'extérieur (à travers le mur ou le toit).

Installations dans les régions au climat froid

On doit installer un clapet anti-retour valve supplémentaire à l'arrière pour minimiser le reflux d'air froid et incorporer un élément d'isolation thermique pour minimiser la conduction de chaleur par l'intermédiaire du conduit d'évacuation, de l'intérieur de la maison à l'extérieur. Le clapet anti-retour valve doit être placé du côté air froid de la résistance thermique.

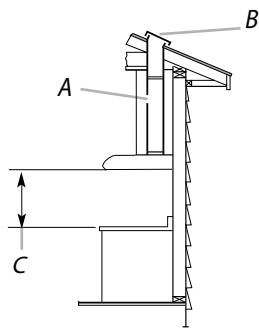
L'élément d'isolation thermique doit être aussi proche que possible de l'endroit où le circuit d'évacuation s'introduit dans la partie chauffée de la maison.

Méthodes d'évacuation

La sortie à l'extérieur du circuit d'évacuation peut se faire à travers le toit ou à travers un mur. Utiliser des conduits rectangulaires de 3¼" x 10" (8,3 x 25,4 cm) avec une longueur maximale de 35 pi (10,7 m) ou des conduits rond de 7" (17,8 cm) de diamètre ou plus avec une longueur maximale de 50 pi (15,2 m) pour le système d'évacuation.

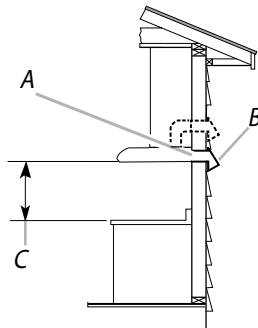
REMARQUE: On déconseille l'emploi d'un conduit flexible. Un conduit flexible peut causer une rétro-pression et des turbulences de l'air, ce qui réduirait considérablement la performance

Décharge à travers le toit



- A. Conduit rond de dia. 7" (17,8 cm) pour décharge à travers le toit (vendue séparément). Conduit rond de 3¼" x 10" (8,3 x 25,4 cm) pour décharge à travers le toit (vendue séparément).
- B. Bouche de décharge sur toit (vendue séparément)
- C. Entre 18" (45,7 cm) min. et 24" (61 cm) max. au-dessus de la surface de cuisson.

Évacuation par le mur



- A. Conduit rond de dia. 7" (17,8 cm) avec sortie par le dessus et décharge à travers le toit (vendue séparément). Conduit rond de 3¼" x 10" (8,3 x 25,4 cm) pour décharge à travers le mur ou lesommet (vendue séparément).
- B. Bouche de décharge murale (vendue séparément)
- C. Entre 18" (45,7 cm) min. et 24" (61 cm) max. au-dessus de la surface de cuisson.

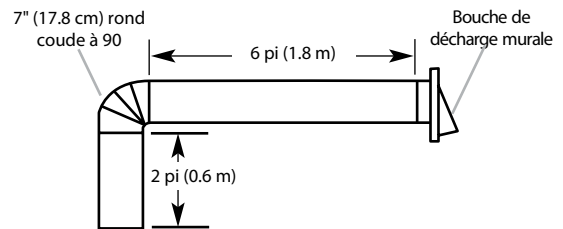
Calcul de la longueur du circuit d'évacuation

Pour calculer la longueur effective du circuit d'évacuation nécessaire, additionner les longueurs équivalentes (en pieds ou mètres) de tous les composants utilisés dans le système.

Système d'évacuation avec conduits ronds de 7" (17,8 cm)

Composante	Rond	
Coude à 45°	2.5 pi (0.8 m)	
Coude à 90°	5.0 pi (1.5 m)	
Bouche de décharge murale de 7" (17.8 cm)	0.0 pi (0.0 m)	
3¼" x 10" (8.3 cm x 25.4 cm) à 7" (17.8 cm)	4.5 pi (1.4 m)	
Raccord coudé à 3¼" x 10" (8.3 cm x 25.4 cm) à 7" (17.8 cm)	5.0 pi (1.5 m)	

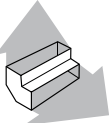
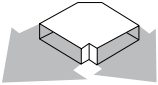
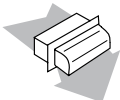
Exemple de circuit d'évacuation



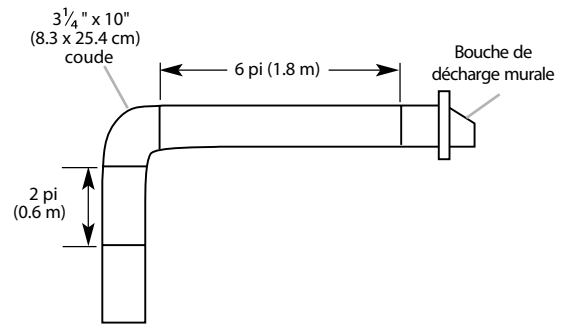
Longueur maximale recommandée = 50 pi (15.2 m)

1 coude à 90°	= 5.0 pi (1.5 m)
1 bouche de décharge murale	= 0.0 pi (0.0 m)
Section droite de 8 pi (2,4 m)	= 8.0 pi (2.4 m)
Longueur du système de dia. 7" (17,8 cm)	= 13.0 pi (3.9 m)

Système de décharge de 3/4" x 10" (8,3 cm x 25,4 cm)

Composante	Rond	
Coude à 45°	2.5 pi (0.8 m)	
Coude à 90°	5.0 pi (1.5 m)	
7" (17.8 cm)	0.0 pi (0.0 m)	

Exemple de circuit d'évacuation



Longueur maximale recommandée = 50 ft (15.2 m)

1 - coude à 90° = 5.0 pi (1.5 m)

Section droite de 8 pi (2,4 m) = 8.0 pi (0.0 m)

1 bouche de décharge murale = 0.0 pi (2.4 m)

Longueur du système de 3/4" x 10"
(8.3 cm x 25.4 cm) = 13.0 pi (3.9 m)

Avant d'installer la hotte

PLAN D'INSTALLATION

La hauteur de montage recommandée est de 18 "à 24 " de la hotte au sommet de la surface de cuisson.

La hotte doit être montée sur le fond d'une armoire murale standard. Si la hotte doit être montée directement sur un mur, fixer la hotte à des poteaux muraux.

Tout le câblage doit être conforme aux codes locaux et l'unité doit être mise à la terre. La hotte est reliée à un 110 à 120 VAC circuit d'éclairage (15 Amp) dans le disjoncteur ou la boîte à fusibles.

Le modèle **ESN130** : installation sans décharge à l'extérieur

Le modèle **EFS130** : installation avec décharge à l'extérieur

Les modèles **ERS230**, **ENM230** et **ENM236** : installation avec ou sans décharge à l'extérieur [recyclage]

SI LA HOTTE EST SANS DÉCHARGE À L'EXTÉRIEUR (RECYCLAGE):

Achat des accessoires de recyclage:

ERS230: ERSRCK30

ENM230 / ENM236: ENMRCK36

SI LA HOTTE EST AVEC DÉCHARGE À L'EXTÉRIEUR :

- Le Conduit peut être installé verticalement ou horizontalement.
- Le conduit doit être aussi court que possible.
- Évitez d'utiliser des coudes.
- Utilisez du ruban adhésif sur tous les joints.
- Ne pas utiliser un conduit plus petit que la sortie de la hotte.
- Pour un conduit rond de 7", achetez l'ensemble de transition avec accessoires:
 - Système de conduit d'évacuation métallique rond de 7" (17.8 cm). Accessoires No. EXXTRK07 (vendu séparément).
 - Clapet anti-reflux rond de 7" (17,8 cm) Accessoires No. EXXNRVRD (vendu séparément).
- Pour 3/4" x 10" (8.3 x 25.4 cm) installation de conduits rectangulaires,
 - Module connecteur de conduit rectangulaire de 3/4" x 10" (8,3 x 25,4 cm) sont incluse.
 - Si nécessaire acheter le 3/4" (8.3 x 25,4 cm) rectangulaire clapet anti-retour. Accessoire No. EXXNRVRT (vendu séparément).

INSTRUCTIONS D'INSTALLATION

ÉVACUATION HORIZONTALE DU MUR

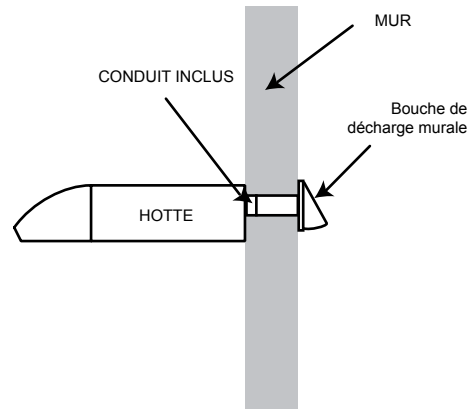
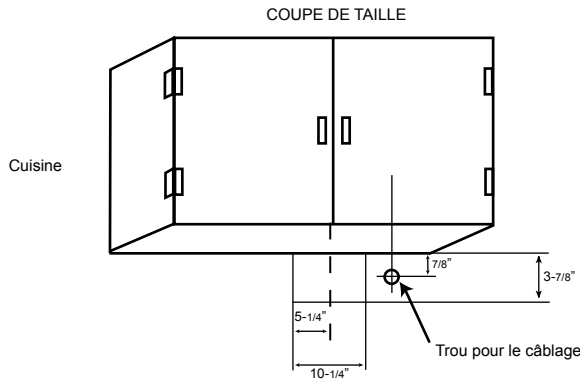


figure 1

ÉVACUATION VERTICALE Utilisant un tube de 3 - 3 / 4 " X 10 "

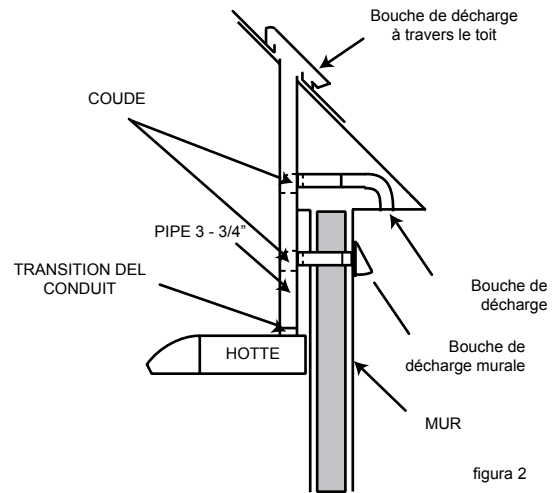
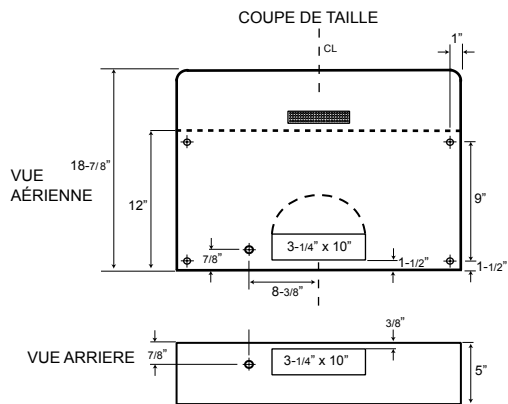
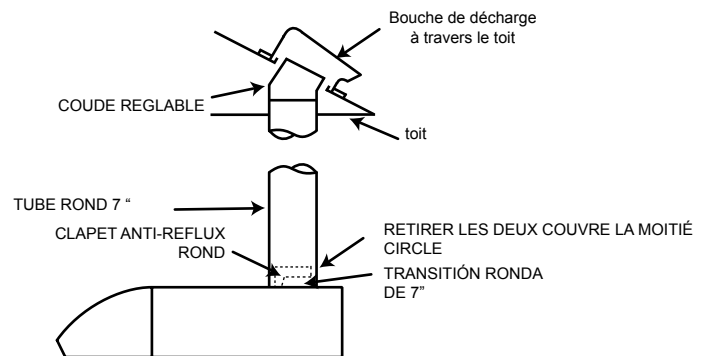
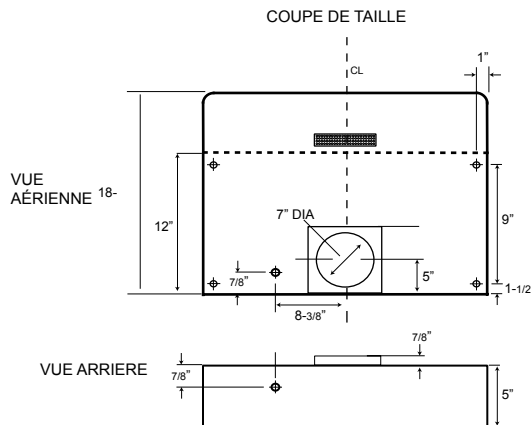
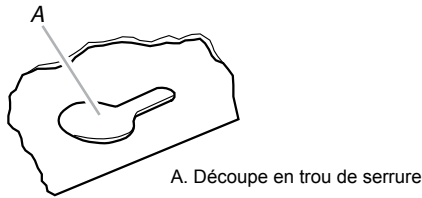


figura 2

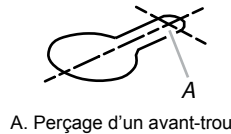
ÉVACUATION VERTICALE Utilisant un tube de 7"



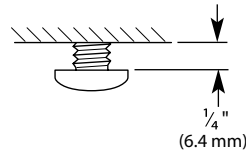
1. Soulever la hotte sous le placard et déterminer sa position d'installation finale en la centrant sous le placard. Sur la face inférieure du placard, marquer l'emplacement des 4 trous de montage sur la hotte. Placer la hotte à part sur une surface couverte.



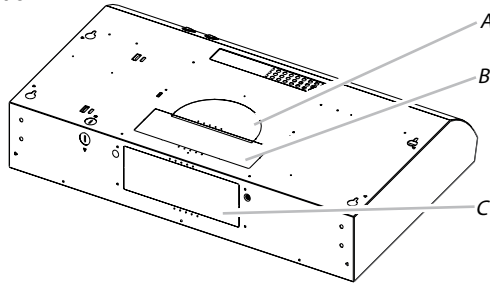
2. À l'aide d'un foret de 1/8" (3 mm), percer 4 avant-trous tel qu'illustré.



3. Installer les 4 vis de montage 4,5 x 13 mm dans les avant-trous. Laisser un espace d'environ 1/4" (6,4 cm) entre les têtes des vis et le placard pour faire glisser la hotte et la mettre en place.



4. Selon le modèle, enlever les opercules amovibles de la transition



- A. Opercule amovible en demi-cercle du conduit d'évacuation
 B. Opercule amovible rectangulaire supérieur du conduit d'évacuation
 C. Opercule amovible rectangulaire arrière du conduit d'évacuation

Installations pour système d'évacuation rond - Retirer l'opercule amovible rectangulaire supérieur et l'opercule en demi-cercle.

Installations pour système d'évacuation rectangulaire - Pour les installations avec passage par le toit, retirer l'opercule amovible rectangulaire supérieur du conduit d'évacuation. Pour les installations murales, retirer l'opercule amovible rectangulaire arrière.

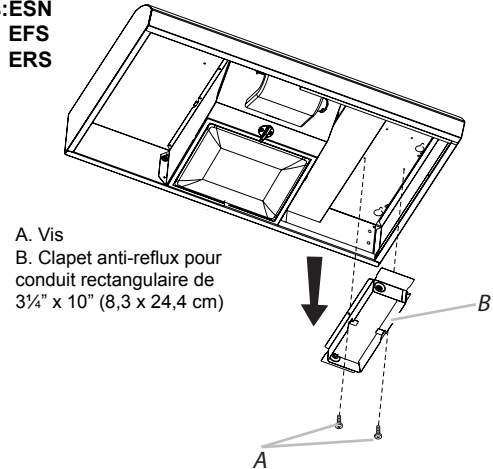
Installation sans décharge à l'extérieur (recyclage) - Ne pas retirer les opercules.

5. Enlever les filtres à graisse métalliques. Voir la section "Entretien de la hotte". Pour les modèles de la série ENM, retirez d'abord la partie latérale panneaux.

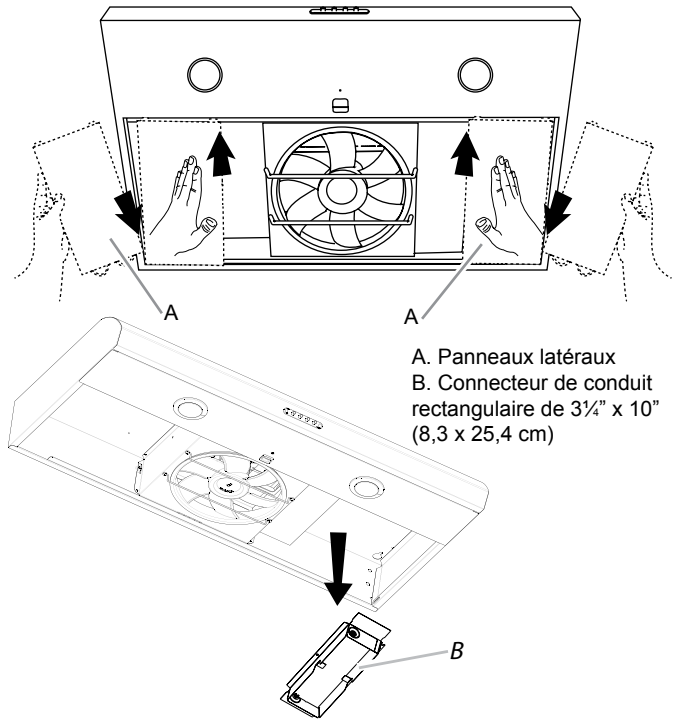
REMARQUE: l'intérieur de la hotte comporter soit un module connecteur de conduit rectangulaire de 3 1/4" x 10" (8,3 x 25,4 cm). Certains modèles sont de type sans décharge à l'extérieur (recyclage uniquement) et ne possèdent pas de conduit.

6. Retirer la clapet anti-reflux rectangulaire de 3-1/4" x 10" (8,3 x 25,4 cm) fixé avec des vis ou par ruban adhésif à l'intérieur de la hotte.

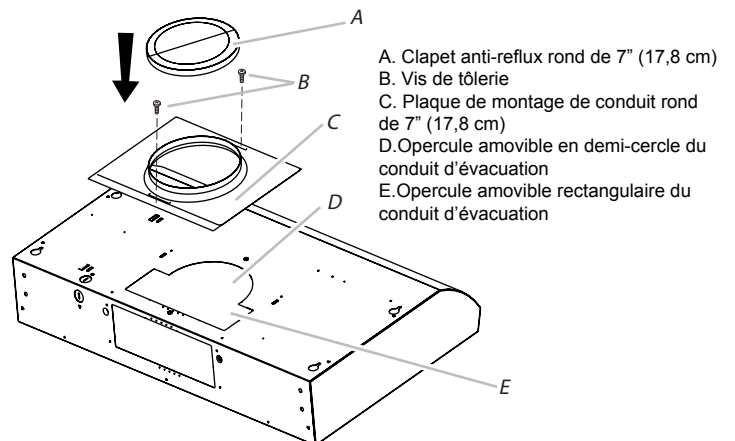
modeles: ESN
 EFS
 ERS



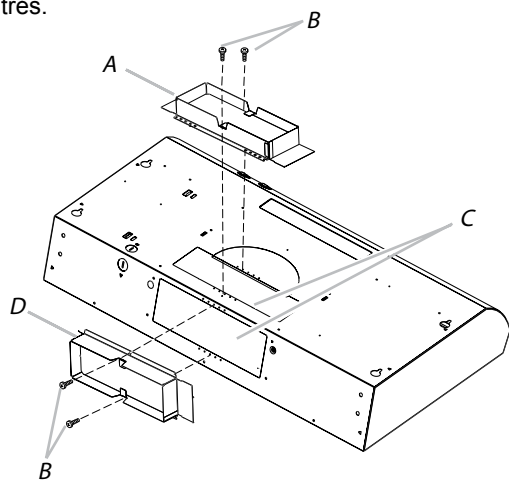
modele: ENM



7. Pour l'installation d'un conduit rond, installer une plaque de montage de clapet anti-reflux rond de 7" (17,8 cm) ou rectangulaire de 3-1/4" x 10" (8,3 x 25,4 cm), selon la configuration de votre installation (achetés séparément).



REMARQUE : On peut installer la plaque de montage du clapet anti-reflux pour conduit rond de 7" (17.8 cm) et le clapet anti-reflux pour conduit rectangulaire 3¼" x 10" (8,3 x 25,4 cm) jusqu'à 1" (2,5 cm) de chaque côté du centre de la hotte pour pouvoir installer les conduits décentrés.

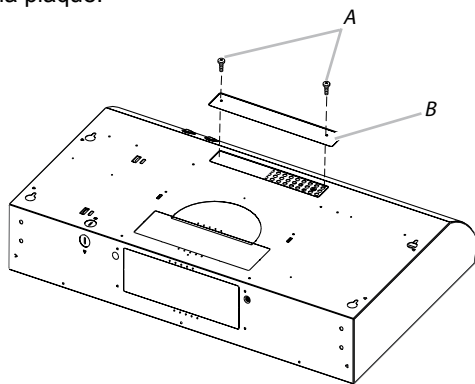


A. Conduit vertical
B. Vis de tôlerie
C. Axe de charnière
D. Opercules arrachables du conduit d'évacuation
E. Conduit horizontal

- Si la bouche de décharge murale est située directement derrière le connecteur de conduit, on doit veiller à empêcher toute interférence entre les clapets du connecteur et de la bouche de décharge murale. En cas d'interférence, retirer l'obturateur à registre du connecteur de conduit.

Installation sans décharge à l'extérieur (recyclage) -

Aucun dispositif de fixation de conduit. Pour les modèles de série ERS230, ENM230 et ENM236, le retrait de la plaque de protection pour mode recyclage est nécessaire. Ôter les deux vis de la plaque de protection pour mode recyclage et retirer la plaque.



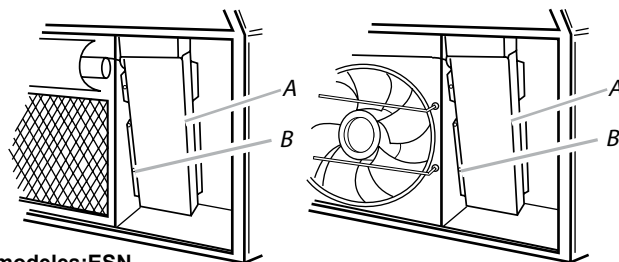
A. Plaque de protection pour mode recyclage
B. Vis

Installation du cordon d'alimentation

1. Pour les installations à raccordement direct, acheminer le câble d'alimentation du domicile selon les prescriptions du Code national de l'électricité ou des normes CSA et des codes et règlements locaux. La longueur du câblage depuis le tableau de distribution (avec fusibles ou disjoncteurs) doit être suffisante pour réaliser facilement le raccordement dans le boîtier de connexion de la hotte. Pour les installations avec ensemble de cordon d'alimentation facultatif, suivre les instructions fournies avec l'ensemble du cordon d'alimentation.

REMARQUE: Ne pas mettre le système sous tension avant d'avoir complètement terminé l'installation.

2. Enlever la vis du couvercle du boîtier de connexion. Retirer le couvercle du boîtier de connexion et le mettre de côté.



modèles: ESN

EFS

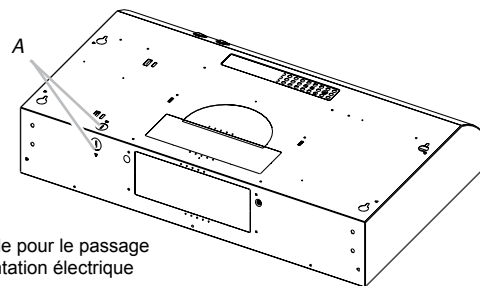
ERS

modele: ENM

A. Couvercle du boîtier de connexion

B. Vis

3. Enlever l'opercule pour le passage de l'alimentation électrique du sommet ou de l'arrière de la hotte de ventilation (selon l'emplacement du point d'entrée du câble d'alimentation du domicile) et installer un serre-câble de ½" homologué UL ou CSA.



A. Opercule pour le passage de l'alimentation électrique

4. À l'aide d'au moins deux personnes, soulever la hotte et la placer à son emplacement final. Insérer suffisamment de câble électrique à travers le serre-câble de ½" (homologation UL ou CSA) pour établir les connexions avec la boîte de connexion. Serrer les vis du serre-câble.
5. Positionner les trous allongés de la hotte par-dessus la tête des vis de montage. Puis pousser la hotte vers le mur pour engager la partie étroite des trous sur les vis de fixation. Serrer les vis de montage en s'assurant que les vis sont dans la partie étroite des trous de fixation des vis.
6. Raccorder le circuit d'évacuation à la hotte. Assurer l'étanchéité des jointures avec des brides pour conduits.
7. Vérifier que les clapets anti-retour fonctionnent correctement.

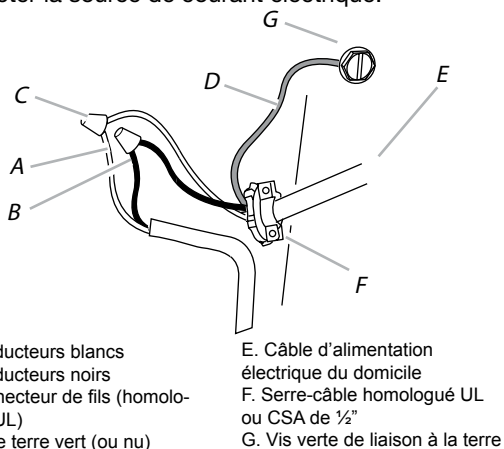
Raccordement électrique

⚠ AVERTISSEMENT



Risque de choc électrique
Déconnecter la source de courant électrique avant l'entretien.
Replacer pièces et panneaux avant de faire la remise en marche.
Le non-respect de ces instructions peut causer un décès ou un choc électrique.


1. Déconnecter la source de courant électrique.



2. Connecter ensemble les conducteurs blancs (A) à l'aide de connecteurs de fils (homologation UL).
3. Connecter les conducteurs noirs (B) aux connecteurs de fils (homologation UL).
4. Connecter le conducteur de liaison à la terre vert (ou nu) du câble d'alimentation du domicile à la vis verte de liaison à la terre dans la boîte de connexion et bien serrer.

5. Installer le couvercle du boîtier de connexion.
6. Reconnecter la source de courant électrique.

⚠ AVERTISSEMENT



Risque d'incendie

Relier le ventilateur à la terre.
Utiliser du fil en cuivre.
Brancher le fil relié à la terre à la vis verte reliée à la terre dans la boîte de la borne.
Le non-respect de ces instructions peut causer un décès, un incendie ou un choc électrique.

Achever l'installation

7. Pour les modèles ESN130 et EFS130 installer l'ampoule à incandescence de 75 watts (maximum) et pour le serie ERS230 installer l'ampoule à incandescence de 40 watts (maximum). Pour les modèles ENM230 et ENM236 installer les lampes halogènes 50W (max). Voir la section "Entretien de la hotte".
8. Réinstaller le filtre à graisse s'il a été retiré. Voir la section "Entretien de la hotte".
9. Contrôler le fonctionnement du ventilateur de la hotte et de la lampe. Voir la section "Utilisation de la hotte". Si la hotte ne fonctionne pas, déterminer si un disjoncteur s'est ouvert ou si un fusible du domicile est grillé. Déconnecter la source de courant électrique et inspecter les connections du câblage.

REMARQUE : Pour pouvoir tirer le plus grand parti de la nouvelle hotte de cuisinière, lire la section "Utilisation de la hotte".

COMMANDES DE LA HOTTE DE CUISINIÈRE

Modèles de série ESN130, EFS136 et ERS230:

Pour faire fonctionner la lampe

Pousser le commutateur d'éclairage vers la droite pour éteindre la lumière.

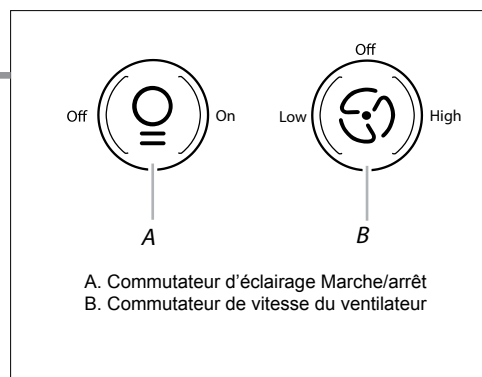
Pousser le commutateur d'éclairage vers la gauche pour allumer la lumière.

Fonctionnement du ventilateur

Pousser le commutateur du ventilateur vers la gauche pour la vitesse réduite.

Pousser le commutateur du ventilateur vers la droite pour la vitesse élevée.

Placer le commutateur du ventilateur au milieu pour arrêter le ventilateur.



Modèles de série ENM230 et ENM236:

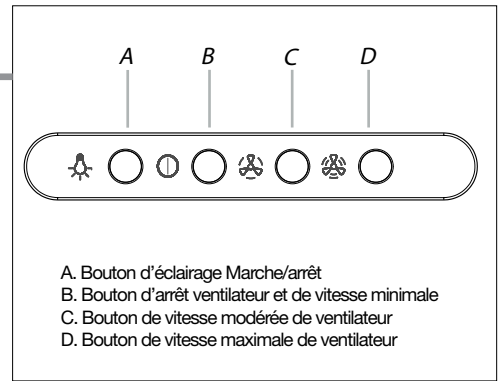
Pour faire fonctionner la lampe

Le bouton d'éclairage Marche/arrêt contrôle les deux lampes.

Appuyer une fois sur le bouton pour allumer la lampe, puis une nouvelle fois pour l'éteindre.

Utilisation du ventilateur

Les boutons BLOWER SPEED (vitesse du ventilateur) activent le ventilateur et contrôlent la vitesse du ventilateur et le niveau sonore pour un fonctionnement silencieux. On peut modifier la vitesse à tout moment pendant le fonctionnement du ventilateur en appuyant sur le bouton correspondant à la vitesse souhaitée. Appuyer une deuxième fois sur le bouton BLOWER OFF (arrêt ventilateur) pour arrêter le ventilateur.



- A. Bouton d'éclairage Marche/arrêt
- B. Bouton d'arrêt ventilateur et de vitesse minimale
- C. Bouton de vitesse modérée de ventilateur
- D. Bouton de vitesse maximale de ventilateur

ENTRETIEN DE LA HOTTE

Nettoyage

IMPORTANT : Nettoyer fréquemment la hotte et les filtres à graisse en suivant les instructions suivantes. Réinstaller le filtre à graisse avant de faire fonctionner la hotte.

Surfaces Externes :

IMPORTANT: Ne pas utiliser de tampons de récurage savonneux, de nettoyants abrasifs, de crème à polir pour table de cuisson, de laine d'acier, de chiffons de lavage rugueux ou d'essuie-tout.

Pour éviter d'endommager les surfaces en acier inoxydable, ne pas utiliser de nettoyants contenant du chlore.

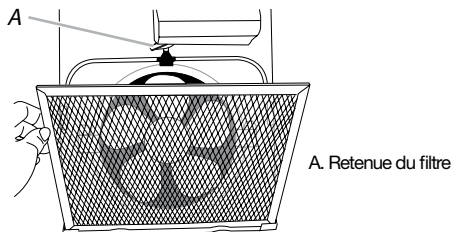
Méthode de nettoyage :

- Frotter dans la direction du grain pour éviter d'égratigner ou d'endommager la surface.
- Pour les modèles en acier inoxydable, nettoyez et poli pour acier inoxydable.
- Détergent liquide ou nettoyant tout-usage : Rincer à l'eau propre et sécher avec un chiffon doux sans charpie.
- Nettoyant à vitre pour éliminer les traces de doigts.

Filtre à graisse métallique (modèles de série ESN, EFS et ERS)

Installations avec décharge à l'extérieur :

1. Ôter la vis de la patte de retenue du filtre à graisse.
2. Faire pivoter la patte de retenue du filtre à graisse pour libérer le filtre.



3. Laver le filtre métallique selon le besoin au lave-vaisselle ou avec une solution de détergent chaude.
4. Réinstaller le filtre en plaçant le bord arrière dans la rainure à l'arrière de la hotte. Enfoncer le filtre; faire pivoter la patte de retenue du filtre pour fixer le filtre à la hotte.
5. Réinstaller la vis de la patte de retenue du filtre à graisse.

Installations sans décharge à l'extérieur (recyclage) :

Le filtre à charbon n'est pas lavable. Celui-ci devrait durer pendant 6 mois dans des conditions d'utilisation normales.

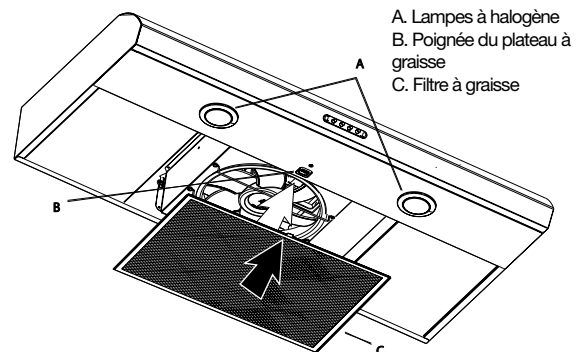
1. Réinstaller le filtre à graisse métallique avec le filtre à charbon. Pour commander des pièces, voir la section "Accessoires".

Remplacement du filtre à charbon :

1. Ôter la vis de la patte de retenue du filtre à graisse.
2. Faire pivoter la patte de retenue du filtre à graisse pour libérer le filtre.
3. Réinstaller le filtre en plaçant le bord arrière dans la rainure à l'arrière de la hotte. Enfoncer le filtre; faire pivoter la patte de retenue du filtre pour fixer le filtre à la hotte.
4. Réinstaller la vis de la patte de retenue du filtre à graisse.

Installations avec décharge à l'extérieur (modèles de série ENM):

1. Appuyez sur la patte de retenue du filtre à graisse pour libérer le filtre.



2. Laver le filtre métallique selon le besoin au lave-vaisselle ou avec une solution de détergent chaude.
3. Réinstaller le filtre en plaçant le bord arrière dans la rainure à l'arrière de la hotte. Enfoncer le filtre; appuyez sur la patte de retenue du filtre pour fixer le filtre à la hotte.

Installations sans décharge à l'extérieur (recyclage) :

Le filtre à charbon n'est pas lavable. Celui-ci devrait durer pendant 6 mois dans des conditions d'utilisation normales.

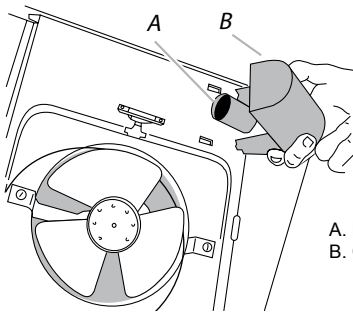
1. Réinstaller le filtre à graisse métallique avec le filtre à charbon. Pour commander des pièces, voir la section "Accessoires".

Remplacement du filtre à charbon :

1. Appuyez sur la patte de retenue du filtre à graisse pour libérer le filtre.
2. Réinstaller le filtre en plaçant le bord arrière dans la rainure à l'arrière de la hotte. Enfoncer le filtre; appuyez sur la patte de retenue du filtre pour fixer le filtre à la hotte.

Remplacement de l'ampoule à incandescence (modèles de série ESN130, EFS130 et ERS230)

1. Déconnecter la source de courant électrique.
2. Exercer une pression sur le cabochon en plastique de protection pour pouvoir le retirer de la hotte.
REMARQUE: Dans les modèles ERS avec deux lampes, utiliser des ampoules 40W au lieu de 75W.
3. Visser la lampe dans la douille.
4. Réinstaller le cabochon: exercer une pression sur le cabochon pour pouvoir insérer les pattes dans les ouvertures d'insertion.
5. Reconnecter la source de courant électrique.
Si la nouvelle lampe ne fonctionne pas, vérifier que chaque lampe est correctement insérée dans sa douille avant de demander l'intervention d'un dépanneur.



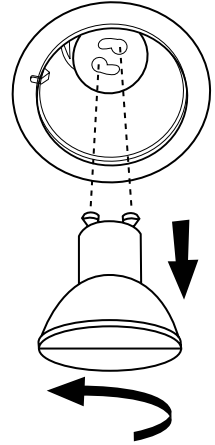
A. Douille de l'ampoule
B. Cabochon

Remplacement de la lampe à halogène (modèles de série ENM230 & ENM236)

Interrompre l'alimentation de la hotte; attendre le refroidissement de la lampe à halogène. Pour éviter d'endommager ou de réduire la longévité de l'ampoule neuve, ne pas toucher l'ampoule avec les doigts nus. Remplacer l'ampoule en la manipulant avec un mouchoir de papier ou des gants de coton.

Si les nouvelles lampes ne fonctionnent pas, vérifier que chaque lampe est correctement insérée dans sa douille avant de demander l'intervention d'un dépanneur.

1. Déconnecter la source de courant électrique.
2. Pousser la plaque de verre vers le haut et la tourner dans le sens antihoraire.
3. Retirer l'ampoule et la remplacer par une ampoule halogène de 120 volts, 50 watts maximum avec culot GU10. La tourner dans le sens horaire pour l'emboîter.
4. Répéter les étapes 2 à 3 pour les autres ampoules, si nécessaire.
5. Reconnecter la source de courant électrique.



GARANTIE

ELICA North America

GARANTIE DE DEUX ANS

POUR OBTENIR UN DEPANNAGE SOUS GARANTIE

Le propriétaire doit présenter une preuve de la date d'achat. Garder une copie de votre preuve d'achat datée (ticket de caisse) de façon à pouvoir bénéficier du service après-vente sous garantie.

GARANTIE PIÈCES DE RECHANGE ET MAIN D'OEUVRE

Pendant une période de deux (2) ans à partir de la date d'achat, Elica s'engage à fournir gratuitement les pièces de rechange ou les composants autres que les recharges ayant des défauts de fabrication.

Durant cette garantie de deux (2) ans, Elica fournira également gratuitement, toute la main d'oeuvre et le service à domicile pour remplacer d'éventuelles pièces défectueuses.

CE QUE LA GARANTIE NE COUVRE PAS

- Dégât ou panne du produit causé par un accident ou un cas de force majeure tels que inondation, incendie ou tremblement de terre.
- Dégât ou panne du produit causé par modification du produit ou utilisation de pièces pas d'origine.
- Dégât ou panne du produit causé lors de la livraison, de la manipulation ou de l'installation.
- Dégât ou panne du produit causé par une mauvaise utilisation.
- Dégât ou panne du produit causé par un remplacement des fusibles ou une remise en fonction des disjoncteurs par le propriétaire.
- Dégât ou panne du produit causé par une utilisation du produit pour raison commerciale.
- Déplacement à domicile pour explication d'utilisation ou d'entretien.
- Ampoules, filtres métalliques ou au charbon et toute autre pièce consommable.
- Usure normale.
- Usure due à une mauvaise utilisation du propriétaire, un entretien incorrect, une utilisation de substances nettoyantes corrosives ou abrasives et produits de nettoyage pour four.

QUI EST COUVERT

Cette garantie s'étend à l'acheteur original de produits achetés pour un usage domestique habituel en Amérique du Nord (Y compris Etats Unis, Guam, Porto Rico, les Iles virgin Américaines & le Canada).

Cette garantie n'est pas transférable et vaut uniquement pour l'acheteur original et ne s'étend pas aux propriétaires successifs du produit. Cette garantie vaut expressément en lieu et place de toute autre garantie, expresse ou sous-entendue, mais ne limite pas toute autre garantie sous-entendue de marchandage ou adaptation dans un but particulier et toute autre obligation de la part de Elica North America, étant entendu, cependant, que si la réclamation pour garanties sous-entendues n'est pas applicable aux yeux de la loi en vigueur, la durée de toute garantie sous-entendue émanant de la loi doit être limitée à deux (2) ans à partir de la date d'achat du produit ou à une période plus longue selon ce que dit la loi en vigueur.

Cette garantie ne couvre pas tout dégât particulier, accidentel et/ou consécutif, ni les pertes et profits, à charge du propriétaire, des ses clients et/ou des utilisateurs Des produits.

QUI CONTACTER

Pour obtenir un Service Après-vente durant la Garantie ou pour toute autre Question liée au Service Après-vente

Appeler:

- Service Après-vente autorisé Elica North America au (888) 732-8018

Ou écrire à:

- Elica North America, Attention Customer Service,
222 Merchandise Mart Plaza Suite 947
Chicago, IL 60654 USA
infoamericas@elica.com

Tabla de Contenidos

Aviso de Seguridad Importante.....	26
Partes y Herramientas.....	27
Requisitos de Instalación	28
Dimensiones del Producto.....	28
Requisitos de Ventilación.....	28
Metodos de Ventilación.....	29
Calculando la Longitud del sistema de ventilación.....	29
Antes de Instalar la Campana	30
Instrucciones de Instalación	31
Realizar las conexiones Eléctricas.....	34
Completar la Instalación.....	34
Control de la Campana.....	34
Cuidado de la Campana.....	35
Garantía.....	37

APROBADO PARA USO RESIDENCIAL SOLO PARA USO RESIDENCIAL LEA Y GUARDE ESTAS INSTRUCCIONES

**FAVOR DE LEER COMPLETAMENTE ESTAS INSTRUCCIONES
ANTES DE PROCEDER**

**LA INSTALACIÓN DEBE CUMPLIR CON TODAS LAS
NORMATIVIDADES LOCALES**

IMPORTANTE: Guarde estas instrucciones para el uso del Inspector Eléctrico Local

INSTALADOR: Favor de dejar este instructivo al propietario
PROPIETARIO: Favor de conservar este instructivo para referencia futura.

Aviso de Seguridad: Desconecte la fuente poder electrico en el panel de servicio y cierrelo antes de proceder al cableado.

Se requiere un Circuito ramificado de 15 o 20 A, 120 VAC, 60 Hz.

AVISO DE SEGURIDAD IMPORTANTE

ADVERTENCIA: PARA REDUCIR EL RIESGO DE FUEGO, DESCARGA ELÉCTRICA O LESIONES PERSONALES, RESPETE LO SIGUIENTE:

PRECAUCIÓN: Para usos de ventilación general. No utilice este dispositivo para expulsar materiales o vapores riesgosos o explosivos.

- Utilice esta unidad unicamente en el modo que indica el fabricante. En caso de duda, póngase en contacto con el fabricante.
- Antes de reparar o limpiar la unidad, desconecte la alimentación en el panel de servicio y bloquee los medios de desconexión accidental de la alimentación. Si no es posible bloquear los medios de desconexión del panel de servicio, coloque un dispositivo de advertencia que destaque como, por ejemplo, una etiqueta, en el panel de servicio.
- La instalación y cableado eléctrico deben realizarlos personas calificadas de acuerdo a las normativas y los estándares aplicables, incluida la construcción ignífuga.
- Es necesaria una ventilación suficiente para la correcta combustión y expulsión de gases por la salida de humos (chimenea) del equipo de combustión de carburante para evitar el contratiro. Siga las directrices de fabricantes de equipos de calefacción y los estándares de seguridad como los publicados por la National Fire Protection Association (NFPA), American Society for Heating, Refrigeration and Air Conditioning Engineers (ASHRAE) y las normativas locales.
- Al efectuar orificios en una pared o techo, no dañe el cableado eléctrico y otras instalaciones ocultas.
- Los sistemas instalados mediante conducto deben tener ventilación con salida al exterior.

PRECAUCIÓN: Para reducir el riesgo de fuego y conseguir una salida del aire correcta, asegúrese de conducir el aire hacia el exterior. No permita que el aire se expulse en espacios situados en el interior de muros, techos desvanes, sótanos de pequeña altura o garajes.

ADVERTENCIA: PARA REDUCIR EL RIESGO DE FUEGO, UTILICE SOLAMENTE TUBOS METÁLICOS.

ADVERTENCIA: PARA REDUCIR EL RIESGO DE INCENDIO OCASIONADO POR GRASA:

- No deje nunca ninguna unidad externa desatendida y con valores de fuego altos. La cocción puede causar humo o reboses de grasa que pueden prender fuego. Caliente el aceite a fuego lento o medio.
- Encienda siempre la campana cuando cocine a una temperatura alta o cuando realice flameados (Por ejemplo, crepes Suzette, cerezas flameadas, ternera a la pimienta flameada).
- Limpie con frecuencia los ventiladores. No permita que la grasa se acumule en el ventilador o filtro.
- Utilice un tamaño de sartén adecuado. Utilice siempre piezas de batería de cocina adecuadas al tamaño del elemento de superficie.

ADVERTENCIA: PARA REDUCIR EL RIESGO DE LESIONES PERSONALES, EN CASO DE FUEGO OCASIONADO POR GRASA, TENGA EN CUENTA LO SIGUIENTE:

- EXTINGA LAS LLAMAS con una tapa ajustada, una lámina para hacer galletas u otro tipo de bandeja metálica y apague el quemador de gas o elemento eléctrico. TENGA CUIDADO PARA EVITAR QUEMADURAS. Si las llamas no se extinguen inmediatamente, DESALOJE EL LUGAR Y LLAME A LOS BOMBEROS.
- NUNCA TOME UNA SARTÉN EN LLAMAS, podría sufrir quemaduras.
- NO UTILICE AGUA, incluidas bayetas o toallas húmedas ya que se produciría una violenta explosión de vapor.
- Utilice un extintor SÓLO si:
 - Sabe que dispone de un extintor de la clase ABC y conoce su funcionamiento.
 - El fuego es pequeño y se encuentra en la misma zona donde se inició.
 - Ha llamado a los bomberos.
 - Puede luchar contra el fuego teniendo una salida a su espalda.

PRECAUCIÓN: Equipo operado automaticamente. Para reducir el riesgo de lastimarse desconecte de la línea antes de dar servicio.

LEA Y GUARDE ESTAS INSTRUCCIONES

Partes y Herramientas

Reuna las herramientas requeridas antes de iniciar la instalación. Lea las instrucciones y sígalas con las herramientas enlistadas a continuación:

Herramientas necesarias (todos los modelos)

- Taladro
- Broca 1¼" (3.0 cm)
- Broca para orificios piloto ⅛" (3.0 mm)
- Lápiz
- Pinzas para cortar y pelar cable
- Cinta métrica, regla o flexómetro
- Pistola selladora y resanador a prueba de agua
- Destornillador plano
- Destornillador Phillips

- Caladora o sierra
- Tijeras para corte de metal
- Conducto redondo de 8"

Piezas suministradas (todos los modelos)

- 4 - Tornillos de instalación de 3.5 x 9.5 mm
- Adaptador Torx®† T-10

Piezas necesarias (todos los modelos)

- 3 - Conectores de cable UL
- Abrazaderas de ventilación

Para gabinetes con fondos empotrados:

- Dos tiras de relleno de 2" (5.1 cm). El largo y el grueso será determinado por el grosor de la hendidura
- Cuatro tornillos para madera de cabeza plana

†®TORX es una marca registrada de Saturn Fasteners, Inc.

Modelos EFS130 (instalación aspirante)

Piezas Suministradas

- Tornillos de 2 - 3.5 x 9.5 mm
- 3¼" x 10" (8.3 x 25.4 cm) conector rectangular transición /ducto.

Piezas Necesarias

- Casquete de muro o techo para ensamblar al sistema de ventilación
- 1 - Bombilla de luz incandescente 120V, 75W max,
- Sistema de ventilación metálico rectangular de 3¼" x 10" (8.3 x 25.4 cm)
- Válvula de no retorno rectangular de 3¼" (8.3 x 25.4 cm) opcional. No. de Accesorio EXXNRVRT

Modelos ERS230 / ENM236 (instalación aspirante o filtrante [recirculante])

Piezas suministradas

- 2 - tornillos de 3.5 x 9.5 mm
- Conector rectangular de ventilación de 3¼" x 10" (8.3 x 25.4 cm)

Piezas Necesarias

- 2 - lámparas incandescentes de 120V, max 40W
- Casquete de muro o techo para ensamblar al sistema de ventilación

Para Instalaciones de ventilación redonda de 7" (17.8 cm)

- Sistema de ventilación metálico redondo de 7" (17.8 cm)
- Transición de ventilación redonda de 7" (17.8 cm) Accesorio con número de parte EXXTRK07
- Válvula de no retorno redonda de 7" (17.8 cm) opcional Accesorio con número de parte EXXNRVRD

Para Instalaciones de ventilación rectangular 3¼" x 10" (8.3 x 25.4 cm)

- Sistema de ventilación metálico rectangular de 3¼" x 10" (8.3 x 25.4 cm)
- Válvula de no retorno rectangular de 3¼" (8.3 x 25.4 cm) opcional. No. de Accesorio EXXNRVRT

Para instalaciones filtrantes (recirculantes)

- Kit Recirculante. Accesorio con número de parte ERSRCK30

Modelos ESN130 (instalación filtrante [recirculante])

Piezas Necesarias

- 1 - Bombilla de luz incandescente 120V, 75W max,

Modelos ENM230 / ENM236 (instalación aspirante o filtrante [recirculante])

Piezas Suministradas

- 2 - tornillos de 3.5 x 5 mm
- Conector rectangular de ventilación con válvula de no retorno de 3¼" x 10" (8.3 x 25.4 cm)

Partes Necesarias

- 2 - lámparas halógenas de 50W max, 120 V
- Casquete de muro o techo para ensamblar al sistema de ventilación

Para Instalaciones de ventilación redonda de 7" (17.8 cm)

- Sistema de ventilación metálico redondo de 7" (17.8 cm)
- Transición de ventilación redonda de 7" (17.8 cm) Accesorio con número de parte EXXTRK07
- Válvula de no retorno redonda de 7" (17.8 cm) opcional Accesorio con número de parte EXXNRVRD

Para Instalaciones de ventilación rectangular 3¼" x 10" (8.3 x 25.4 cm)

- Sistema de ventilación metálico rectangular de 3¼" x 10" (8.3 x 25.4 cm)

Para instalaciones filtrantes (recirculantes)

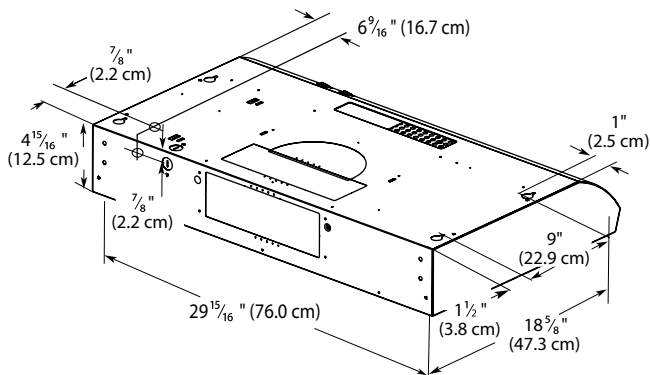
- Kit Recirculante. Modelos ENM230 / ENM236: No. de Accesorio ENMRCK30

REQUISITOS DE INSTALACIÓN

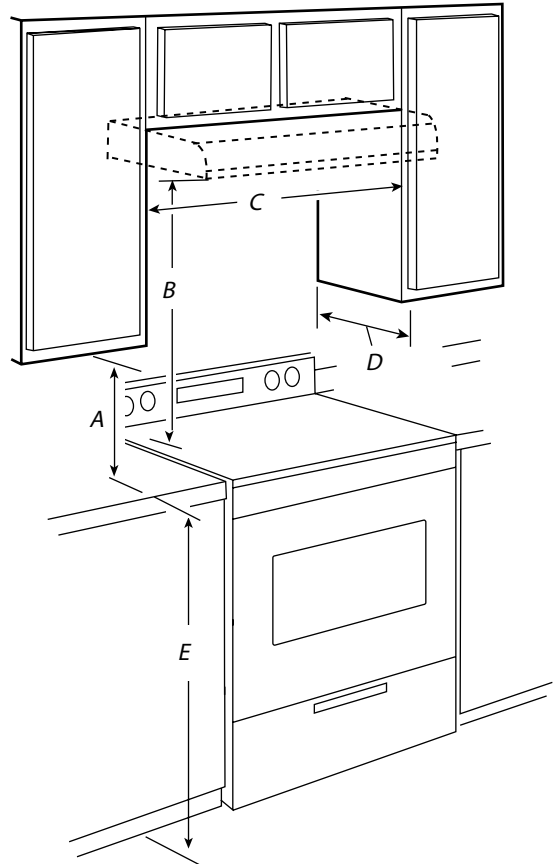
IMPORTANTE: Cumpla con todas las normativas y ordenanzas gubernamentales.

- Es responsabilidad del instalador cumplir con las normas de instalación especificadas en la placa de escala de modelos y números de serie. La placa con escala de modelos y números de serie está localizada dentro de la campana en la pared izquierda.
- La instalación de la campana deberá estar alejada de áreas con fuertes corrientes de aire como ventanas y puertas, así como de ductos de aire caliente.
- Las dimensiones de apertura que son mostradas aquí, deberán ser usadas. Consulte las instrucciones de instalación del fabricante de estufas antes de llevar a cabo cualquier modificación.
- Grounded electrical outlet is required. Vea la sección de requerimientos eléctricos.
- Todos los espacios abiertos en el techo y pared donde esté colocada la campana, deberán ser sellados.
- Esta gama de campanas son elaboradas para instalaciones aspirantes. Los modelos que pueden ser instalados como filtrantes (recirculantes) requieren filtros de carbón. Vea la sección "Accesorios" para ordenar su kit de filtros de carbón.

Dimensiones del Producto



Espacios de Instalación



- A. 18" (45.7 cm) min. espacio del gabinete superior a la cubierta
- B. De 18" (45.7 cm) a 24" (61.0 cm) máximo-mínimo sugerido. de la campana a la superficie de la estufa.
- C. 30" (76.2 cm) min. ancho de la campana para modelos 30" (76.2 cm) y 36" (91.4 cm) min. ancho de la campana para modelos 36" (91.4 cm).
- D. 13" (33.0 cm) profundidad del gabinete.
- E. 36" (91.4 cm) altura del gabinete base.

REQUISITOS DE VENTILACIÓN

- El sistema de ventilación debe de tener salida al exterior, a excepción de las instalaciones filtrantes (recirculantes).
- No dé salida al sistema de ventilación a un ático o cualquier otra área cerrada.
- No utilice ducto de ventilación de 4" (10.2 cm) tipo lavandería.
- Utilice conductos metálicos redondos de 7" (17.8 cm) o un conducto metálico rectangular 3 1/4" x 10" (8.3 x 25.4 cm), dependiendo de su modelo.
Se recomienda el uso de ductos rígidos de metal. Ductos plásticos o de papel metálico no son recomendados.
- La longitud del sistema de ventilación y el número de codos debe de mantenerse al mínimo para asegurar su buen desempeño.

Para un operación más eficiente y silenciosa:

- No use más de 3 codos de 90°.
- Asegurese de que exista un mínimo de 24" (61 cm) de ducto recto entre codos si se usa más de un codo.
- No instale dos codos juntos.
- Use sujetadores para sellar todas las uniones en el sistema de ventilación.
- El sistema de ventilación debe contar con una válvula de no retorno. Si el techo o la pared ya cuenta con uno, no utilice el que viene incluido con la campana.
- Utilice resanador para sellar la pared exterior o las aberturas del techo alrededor de la salida.

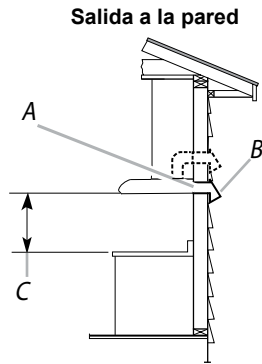
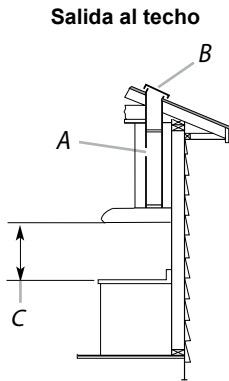
Instalaciones en condiciones climáticas Frías

Deben tener instalado un regulador de contratiro adicional para minimizar el flujo de aire inverso y una rotura térmica no metálica para minimizar la conducción de temperaturas externas como parte de los tubos. El regulador de contratiro debe encontrarse en la parte de aire frío de la rotura térmica. La rotura debe estar lo más cerca posible al lugar donde los tubos entran en la parte caliente de la casa.

Metodos de Ventilación

El sistema de ventilación puede terminar en la pared o el techo. Utilice un ducto rectangular de 3¼" x 10" (8.3 x 25.4 cm) con una altura máxima de 35 ft (10.7 m) o un ducto de ventilación redondo más largo de 7" (17.8 cm) con una altura máxima de 50 ft (15.2 m) para el sistema de ventilación.

NOTA: No es recomendable el uso de ducto flexible. El ducto flexible crea presión trasera y turbulencia de aire que reduce de manera considerable el desempeño de la campana.



- A. Tubo redondo de ventilación de techo de 7" (17.8 cm) (Se adquiere por separado).
Tubo redondo de ventilación de techo de 3¼" x 10" (8.3 x 25.4 cm) (Se adquiere por separado).
- B. Casquete del techo (Se adquiere por separado)
- C. De 18" (45.7 cm) min. a 24" (61.0 cm) max. por encima de la superficie de cocinado.

- A. Tubo redondo de ventilación de techo de 7" (17.8 cm) (Se adquiere por separado).
Tubo redondo de ventilación de techo de 3¼" x 10" (8.3 x 25.4 cm) (Se adquiere por separado).
- B. Casquete de pared (Se adquiere por separado)
- C. De 18" (45.7 cm) min. a 24" (61.0 cm) max. por encima de la superficie de cocinado.

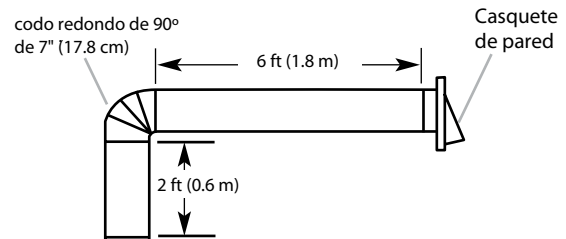
Calculando longitud del sistema de ventilación

Para calcular la longitud del sistema que necesita, agregue el equivalente en pies (metros) por cada pieza utilizada en el sistema.

Sistema de ventilación redondo 7" (17.8 cm)

Pieza del conducto	Medida	
Codo de 45°	2.5 ft (0.8 m)	
Codo de 90°	5.0 ft (1.5 m)	
7" (17.8 cm)	0.0 ft (0.0 m)	
3¼" x 10" (8.3 cm x 25.4 cm) a 7" (17.8 cm)	4.5 ft (1.4 m)	
3¼" x 10" (8.3 cm x 25.4 cm) a 7" (17.8 cm)	5.0 ft (1.5 m)	

Ejemplo de sistema de ventilación

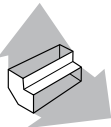
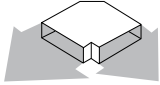
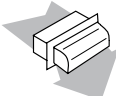


Longitud Máxima Recomendada = 50 ft (15.2 m)

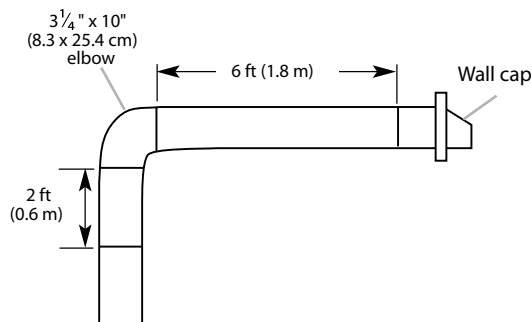
- 1 - codo de 90° = 5.0 ft (1.5 m)
- 1 - casquete de pared = 0.0 ft (0.0 m)
- 8 ft (2.4 m) de tubo recto = 8.0 ft (2.4 m)

Longitud de sistema de 7" (17.8 cm) = 13.0 ft (3.9 m)

Sistema de ventilación de 7" (17.8 cm)

Pieza del conducto	Medida	
codo de 45°	2.5 ft (0.8 m)	
codo de 90°	5.0 ft (1.5 m)	
7" (17.8 cm)	0.0 ft (0.0 m)	

Ejemplo de sistema de ventilación



Longitud Máxima Recomendada = 50 ft (15.2 m)

1 - codo de 90°	= 5.0 ft (1.5 m)
8 ft (2.4 m) de tubo recto	= 8.0 ft (0.0 m)
1 - casquete de pared	= 0.0 ft (2.4 m)
Longitud del sistema de 3 1/4" x 10" (8.3 cm x 25.4 cm)	= 13.0 ft (3.9 m)

Antes de instalar la campana

PLANEACIÓN DE LA INSTALACIÓN:

La altura de instalación recomendada es de 18" a 24" de la base de la campana a la superficie de la cocina.

La campana deberá ser instalada alineada a la parte baja del gabinete de pared. Si la campana es instalada directamente en la pared, asegure la campana a los tornillos de la pared.

Todos los cableados deberán cumplir con las normas locales y la unidad deberá ser conectada a tierra apropiadamente. La campana está conectada a un circuito de iluminación de 110 - 120 VAC (15 Amp) en el cortacircuitos o la caja de fusibles.

Los modelos **ESN130** son recirculantes

Los modelos **EFS130** son aspirantes

Los modelos **ERS230, ENM230 y ENM236** son convertibles (pueden ser instaladas como unidades aspirantes o recirculantes).

SI LA CAMPANA SERÁ FILTRANTE (RECIRCULANTE)

Adquiera el Kit de Accesorios recirculantes:

ERS230: ERSRCK30

ENM230 / ENM236: ENMRCK36

SI LA CAMPANA SERÁ ASPIRANTE

- Los ductos podrán ser instalados de manera vertical u horizontal.
- El ducto deberá de ser tan corto como sea posible.
- Evite el uso de codos.
- Utilice cinta duct en todas las uniones.
- No use ductos más pequeños que la descarga de la campana.
- Para la instalación de ductos redondos de 7", adquiera el Kit de Transición que se ajuste a sus necesidades:
 - Conector redondo de ventilación de 7" (17.8 cm) Accesorio No. parte EXXTRK07.
 - Válvula de no retorno redonda de 7" (17.8 cm) Accesorio No. parte EXXTRVRD.
- Para la instalación de ductos rectangulares de 3 1/4" x 10":
 - Un conector de ventilación rectangular de 8.3 x 25.4 cm viene incluido en su equipo.
 - Si es necesario adquiera la válvula de no retorno rectangular con número de parte EXXNRVRT.

Instrucciones de Instalación

DESCARGA HORIZONTAL ATRAVÉS DE LA PARED

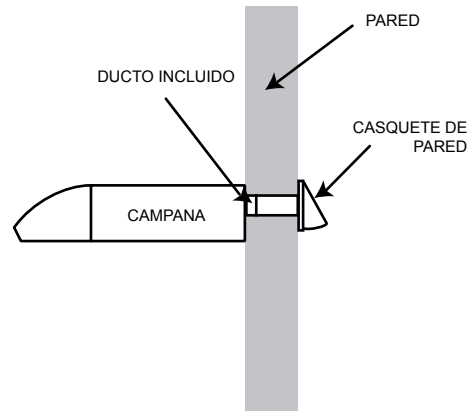
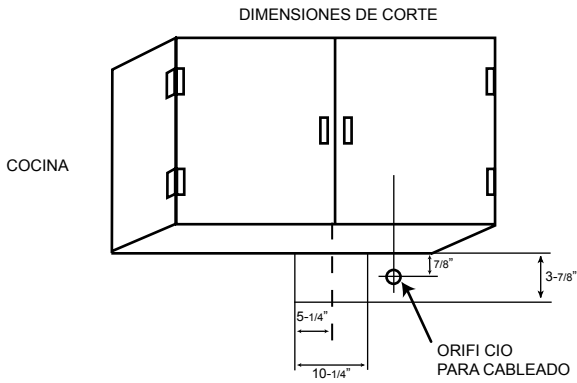


figura 1

DESCARGA VERTICAL USANDO TUBO DE 3 - 3/4" X 10"

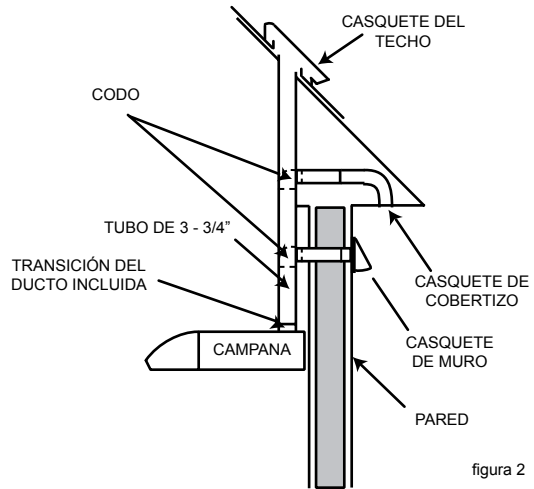
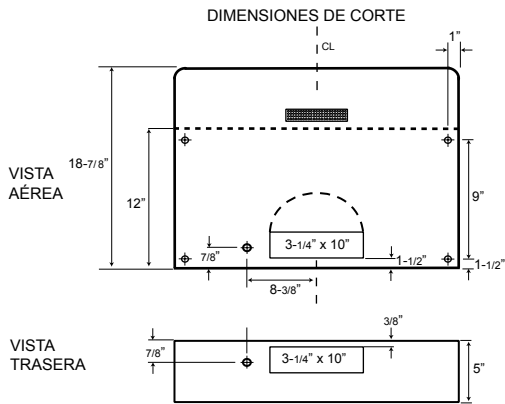
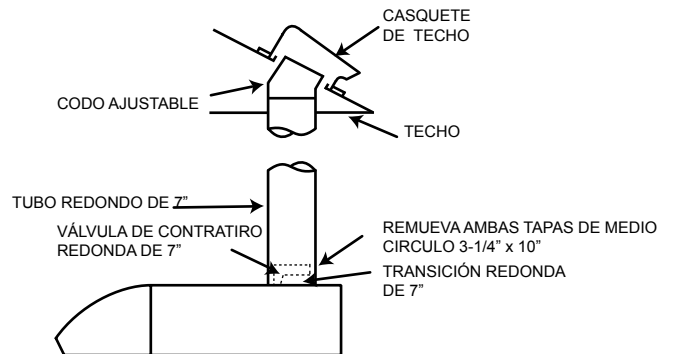
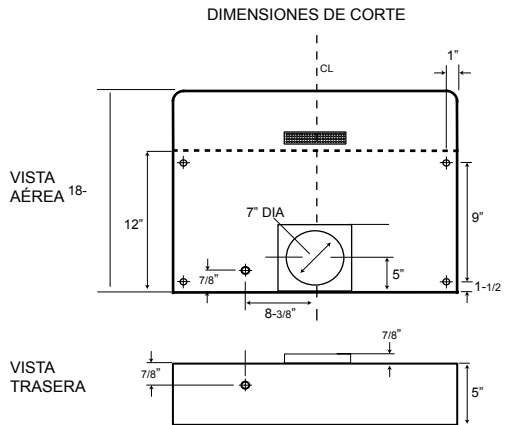
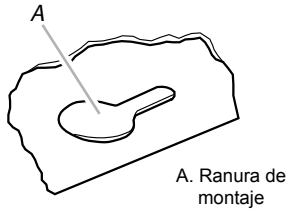


figura 2

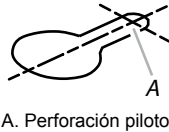
DESCARGA VERTICAL USANDO TUBO DE 7"



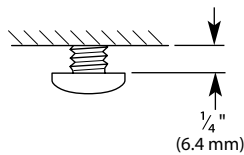
1. Coloque la campana debajo del gabinete y determine la ubicación final centrandola con respecto al gabinete. Marque en la base del gabinete la ubicación de las 4 ranuras de montaje que tiene la campana. Coloque la campana a un lado en una superficie cubierta.



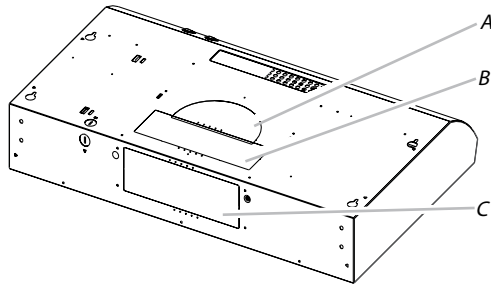
2. Use una broca de 1/8" (3 mm) y perforé 4 orificios como lo muestra la imagen.



3. Coloque los tornillos de 4.5 mm x 13 mm en los orificios. Deje 1/4" (6.4 cm) de espacio entre la cabeza del tornillo y el gabinete para deslizar la campana a su lugar.



4. Dependido del modelo de su campana, retire las láminas para la válvula de contacto.



- A. Válvula de contacto redonda.
- B. Válvula de contacto rectangular superior.
- C. Válvula de contacto rectangular trasera.

Instalación del sistema de ventilación aspirante: Remueva las láminas protectoras del deflector rectangular o redondo.

Instalación del sistema de ventilación rectangular: Para instalaciones en el techo, remueva la lamina rectangular superior de protección.

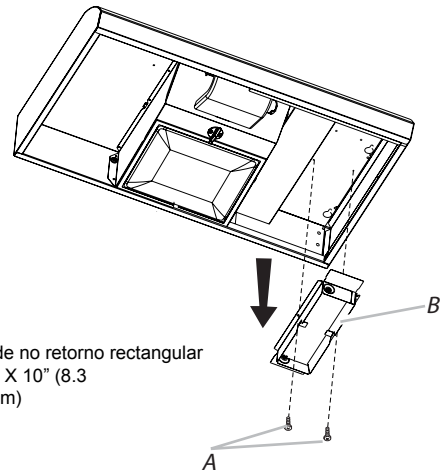
Instalaciones recirculantes: No retire ninguna lámina protectora.

5. Retire los filtros de grasa metálicos. Vea la sección "Ciudados de la campana". Para los modelos de la serie ENM, retirar primero los paneles laterales.

NOTA: Tendrá un conector de ventilación rectangular de 3-1/4" x 10"(8.3 x 25.4 cm) dentro de su campana. Algunos modelos son recirculantes y no necesitan una válvula de ventilación.

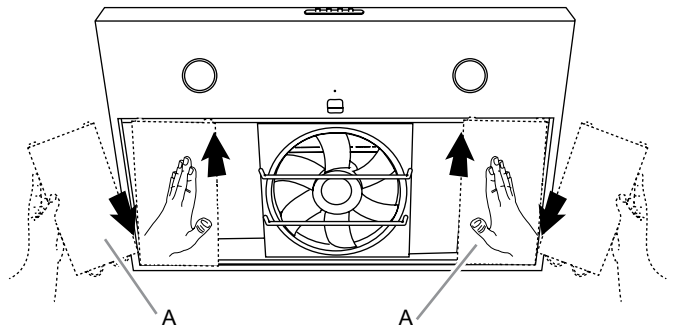
6. Remueva el conector de ventilación rectangular 3-1/4" x 10"(8.3 x 25.4 cm), sujeto al interior de la campana con tornillos o cinta.

modelos: ESN
EFS
ERS

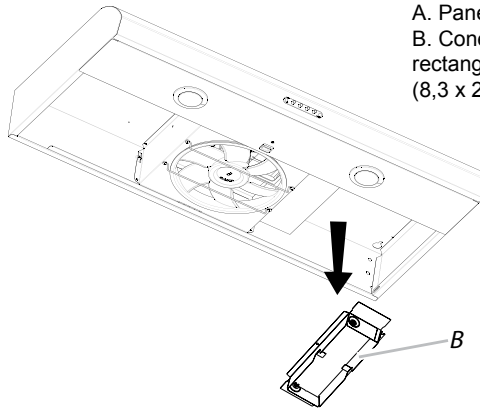


- A. Tornillos
- B. Válvula de no retorno rectangular de 3 1/4" X 10" (8.3 X 24.4 cm)

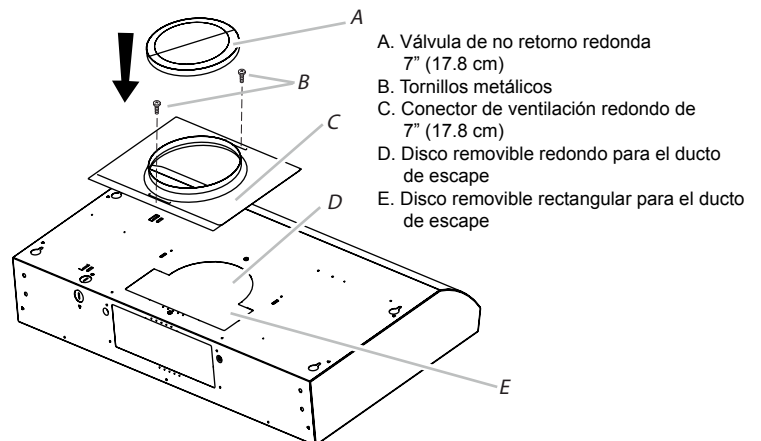
modele: ENM



- A. Paneles laterales
- B. Conector de ventilación rectangular de 3 1/4" x 10" (8,3 x 25,4 cm)

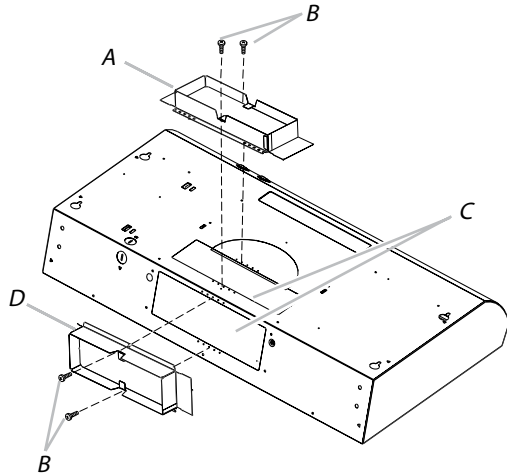


7. Para instalación de ductos redondos, instale el conector de ventilación redondo de 7" (17.8 cm). (Adquieralo como accesorio) o el conector de ventilación rectangular de 3-1/4" x 10" (8,3 x 25,4 cm), dependiendo de la configuración de su instalación.



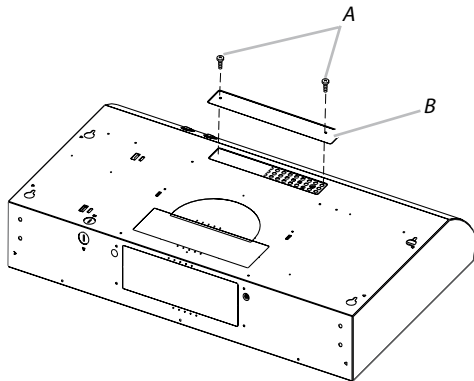
- A. Válvula de no retorno redonda 7" (17.8 cm)
- B. Tornillos metálicos
- C. Conector de ventilación redondo de 7" (17.8 cm)
- D. Disco removible redondo para el ducto de escape
- E. Disco removible rectangular para el ducto de escape

NOTA: La válvula de ventilación rectangular 3-1/4" x 10" (8.3 x 25.4 cm) puede ser instalada 1" (2.5 cm) a cada lado del centro de la campana para centrar el ducto de ventilación.



A. Ventilación vertical
 B. Tornillos metálicos
 C. Pasador de la bisagra
 D. Lámina para válvula de contacto
 E. Ventilación Horizontal

- Si se instala un conector con válvula de no retorno junto con un casquete de pared/techo que tenga también una válvula de no retorno asegúrese que no interfieran la una con la otra. Remueva la placa de la válvula si es necesario.
- **Instalaciones recirculantes** - Sin anexos de ventilación. Los modelos de la serie ERS230, ENM230 y ENM236 requieren remover la cubierta de recirculación. Quite los dos tornillos que lo sujetan y retírela.



A. Placa protectora de recirculación
 B. Tornillos

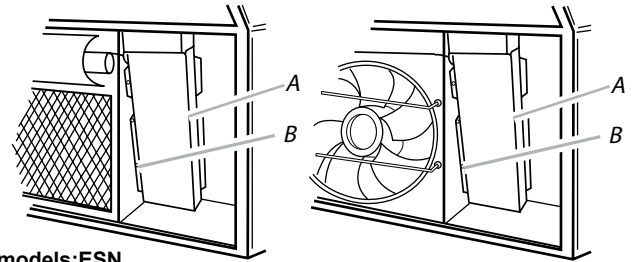
Instalación del Cable de Suministro de Energía

1. Para instalaciones de cable directas, emplear cable de alimentación de energía que cumpla con el Código Eléctrico Nacional o las normas CSA y códigos y ordenanzas locales. Debe de haber suficiente cable desde la fuente de poder, para hacer la conexión en la caja eléctrica de la campana.

Para la instalación opcional de I kit de cable de suministro de energía, siga las instrucciones incluidas con el kit de cable de suministro de energía.

NOTA: No conecte la corriente hasta que la instalación sea finalizada..

2. Remueva los tornillos de la cubierta de la terminal. Retírela.

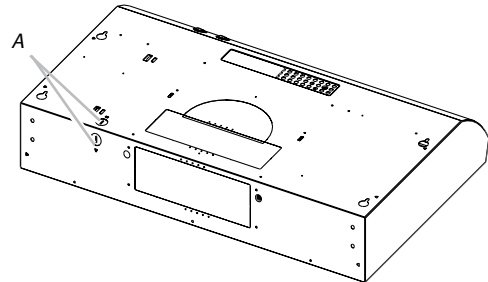


models: ESN
 EFS
 ERS

A. Cubierta
 B. Tornillos

model: ENM

3. Remueva el seguro de la fuente de poder de la cubierta o la parte trasera de la campana (dependiendo de la localización de su cable de corriente).



A. Seguros de la fuente de poder

4. Con la ayuda de otra persona, coloque la campana en su posición final. Provea suficiente cable a través del tensor de cable de 1/2" UL para hacer las conexiones en la caja eléctrica. Asegure bien los tornillos.
5. Coloque la campana de manera tal que la parte más larga de los orificios se encuentren alineados a los tornillos de instalación. Luego, empuje la campana hacia la pared para que los tornillos se inserten en el cuello de los orificios. Apriete los tornillos y asegúrese de que se encuentren en la parte más angosta de los orificios.
6. Conecte el ducto a la campana. Selle las uniones con seguros para hacerla más segura y con mayor flujo de aire.
7. Verifique que las válvulas de contratiro funcionen correctamente.

Realice la Conexión Eléctrica

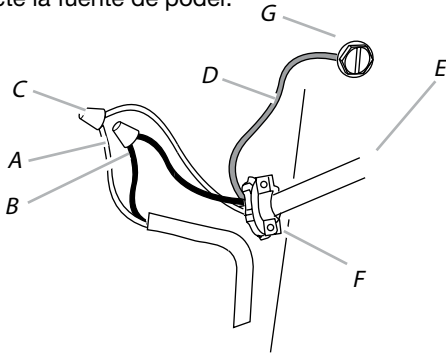
⚠ PRECAUCIÓN



Riesgo de Descarga Eléctrica

**Apagar el panel de servicio antes de conectar la unidad.
Reemplace los paneles y las partes antes de empezar.
Cualquier omisión a las advertencias pueden resultar en descarga eléctrica o la muerte.**

1. Desconecte la fuente de poder.




- | | |
|--|---|
| <p>A. Cables blancos
B. Cables negros
C. Conector del cable de lista UL
D. Cable de tierra Verde (o desnudo)</p> | <p>E. Cable de alimentación de energía
F. Protector de cables de 1/2" que esté en la lista de UL o aprobado por CSA
G. Tornillo verde de tierra</p> |
|--|---|

2. Utilice los cables conectores UL de la lista y conecte los cables blancos juntos (A).
3. Utilice los cables conectores UL de la lista y conecte los cables negros juntos (B).
4. Conecte el cable de tierra verde (o desnudo) de la fuente de poder al tornillo de tierra verde en la caja terminal. Asegúrese de que el cable de tierra esté fijo y el tornillo esté bien apretado.

5. Instale la caja de cubierta de la terminal.
6. Reconecte.

⚠ ADVERTENCIA



Riesgo de Incendio

**Conecte a tierra el ventilador.
Use cable de cobre.
Conecte el cable de tierra al tornillo verde de tierra en la caja de terminales.
Cualquier omisión a las advertencias puede resultar en la muerte, incendio o choque eléctrico.
La incorrecta conexión a tierra puede resultar en un choque eléctrico. Consulte a un eléctrico calificado si las instrucciones de cableado a tierra no son completamente entendidas o si existe la duda de que el aparato haya sido correctamente instalado.**

Complete la Instalación

7. Para los modelos ESN130 y EFS130 instale la lámpara incandescente de 75 W (max) y para la serie ERS230 instale la lámpara incandescente de 40 W (max). Para los modelos ENM230 y ENM236 instale lámparas halógenas de 50W (min). Vea la sección "Cuidado de la campana".
8. Reemplace el filtro de grasa. Vea la sección "Cuidados de la campana".
9. Revise el funcionamiento del ventilador y las lámparas. Vea la sección "Uso de la Campana". Si la campana no funciona, verifique si el breaker has tripped o un fusible se fundió. Desconecte y verifique las conexiones.

NOTA: Para obtener el mejor desempeño de su campana, lea la sección "Uso de la Campana".

CONTROL DE LA CAMPANA

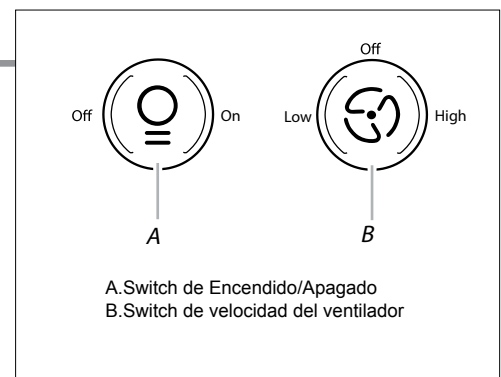
Propiedades del control para modelos ESN130, EFS136 y ERS230:

Funcionamiento de las Lámparas

Presione hacia la izquierda el switch de luz para Apagado.
Presione hacia la derecha el switch de luz para Encendido.

Funcionamiento del Ventilador

Presione hacia la izquierda el switch para Baja Velocidad. Presione hacia la derecha el switch para Alta Velocidad. Deje el switch en el medio para Apagado.



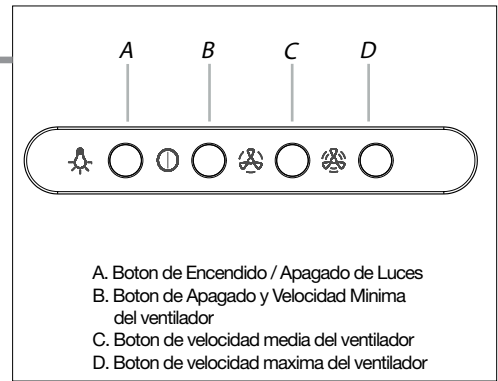
Modelos ENM230 y ENM236:

Funcionamiento de las lamparas

El boton de ON/OFF de las lamparas las controla a ambas.
Presione una vez para Encender y una vez más para Apagar.

Funcionamiento del ventilador

Los botones de Velocidad del ventilador, encienden ek ventilador y controlan la velocidad y nivel de sonido para un desempeño silencioso. La velocidad puede cambiarse aún con el ventilador en funcionamiento.



CUIDADO DE LA CAMPANA

Limpieza

IMPORTANTE: Limpie la campana y los filtros de grasa frecuentemente de acuerdo a las siguientes instrucciones. Reemplace los filtros de grasa después de usar la campana.

Superficies Exteriores:

IMPORTANTE: No use fibras rellenas de jabón, limpiadores abrasivos, crema pulidora de estufas, gibra de acero, paños ásperos toallas de papel. Para evitar el daño del acero inoxidable, no utilice limpiadores que utilicen cloro.

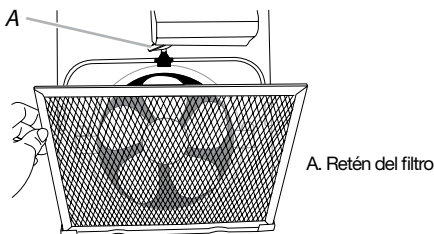
Método de Limpieza:

- Frote en dirección de la textura para evitar los rayones o el daño a la superficie
- Para modelos de acero inoxidable, utilice limpiador y pulidor especial para acero inoxidable.
- Limpiador líquido multipropósito: Enjuague con agua limpia y seque con un paño suave sin pelusas.
- Limpiador de vidrios para remover las marcas de los dedos.

Filtros de metal para grasa (Modelos ESN, EFS y ERS)

Para las instalaciones con ducto de escape:

1. Saque el tornillo del retén del filtro para grasa.
2. Dé vuelta el retén del filtro para grasa para liberarlo.



3. Lave los filtros de metal cuando sea necesario en la lavavajillas o con una solución caliente de detergente.
4. Vuelva a instalar el filtro colocando el borde posterior en la ranura que se encuentra en la parte trasera de la campana. Empuje el filtro en su lugar y gire el retén del mismo para asegurar el filtro a la campana para cocina.
5. Vuelva a colocar el tornillo en el retén del filtro para grasa.

Para las instalaciones sin ducto de escape (con recirculación):

El filtro de carbón no se puede lavar. Deberá durar hasta 6 meses con el uso normal.

1. Reemplace el filtro de metal para grasa con un filtro de carbón. Para obtener información sobre cómo hacer un pedido, vea la sección "Accesorios".

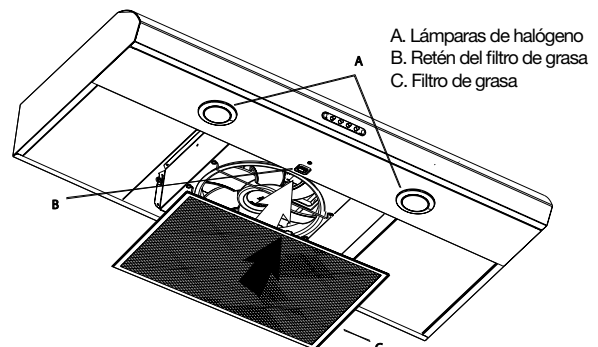
Para reemplazar el filtro:

1. Saque el tornillo del retén del filtro para grasa.
2. Presione el retén del filtro para grasa para liberar el filtro.
3. Vuelva a instalar el filtro colocando el borde posterior en la ranura que se encuentra en la parte trasera de la campana. Empuje el filtro en su lugar y presiones el retén del mismo para asegurar el filtro a la campana para cocina.
4. Vuelva a colocar el tornillo en el retén del filtro para grasa.

Filtros de metal para grasa (Modelos ENM)

Para las instalaciones con ducto de escape:

1. Presione el retén del filtro de grasa para liberarlo.
2. Lave los filtros de metal cuando sea necesario en la lavavajillas o con una solución caliente de detergente.
3. Vuelva a instalar el filtro colocando el borde posterior en la ranura que se encuentra en la parte trasera de la campana. Empuje el filtro en su lugar y presione el seguro del retén del mismo para asegurar el filtro a la campana para cocina.



Para Instalaciones sin ducto de escape (recirculantes)

El filtro de carbón no es lavable. Debe durar alrededor de 6 meses dándole uso normal.

Reemplazar el filtro de grasa por el filtro de carbón. Para ordenarlo vea la sección "Accesorios".

Para reemplazar el filtro:

1. Presione el retén del filtro de grasa para liberarlo..
2. Instale el filtro de carbón colocando el borde posterior en la ranura que se encuentra en la parte trasera de la campana. Empuje el filtro en su lugar y presione el seguro del retén del mismo para asegurar el filtro a la campana para cocina.

Reemplazando las lámparas

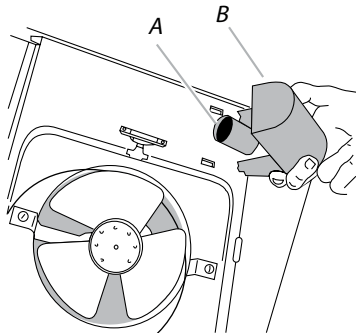
PRECAUCION: Antes de reemplazar la lámpara, desconecte la corriente del panel de servicio y ciérrelo para evitar ser accionado accidentalmente.

NOTA: Apague las luces y el ventilador. Deje enfriar la lámpara antes de tocarla. Si la bombilla nueva no funciona, asegúrese de que esté colocada correctamente antes de llamar al servicio técnico.

Reemplace la bombilla incandescente (Modelos ESN, EFS y ERS)

Apague la campana y deje enfriar la bombilla.

1. Desconecte el aparato.
2. Apriete la cubierta de plástico y retírelo de la campana.
3. Atornille la bombilla en el socket.
NOTA: En los modelos ERS con dos lámparas, use dos focos de 40W en vez de 75W
4. Coloque nuevamente la cubierta de plástico apretando e insertando los seguros en las ranuras
5. Conecte nuevamente el aparato.



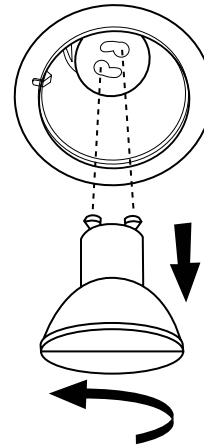
A. Socket de la lámpara
B. Cubierta de plástico

Reemplazar lampara Halógena

(modelos ENM)

Apague la campana y permita que se enfríe la lampara Halógena. Para evitar el daño o disminución de la vida útil de la nueva lampara, no la toque con las manos desnudas. Reemplace la lampara, usando papel higienico o guantes de algodón, Si la nueva lampara no funciona, asegúrese de que la lampara haya sido insertada correctamente antes de llamar al servicio.

1. Desconectar la corriente electrica
2. Empuje hacia arriba el lente y gire en contra del sentido de las manecillas del reloj.
3. Retire el bulbo y reemplacelo con una lampara halogena de 120 volts, de maximo 50W con una base GU10. Gírelo en el sentido de las manecillas del reloj para asegurarlo.
4. Repita los pasos 2 y 3 si necesita alguna otra lampara.
5. Reconecte la energia.



GARANTÍA

ELICA North America

GARANTIA LIMITADA A DOS AÑOS

PARA OBTENER SERVICIO DENTRO DE GARANTIA.

El propietario debe presentar su recibo original de la compra. Guarde por favor una copia de su recibo de compra como prueba, para recibir el servicio dentro del periodo de garantía.

PARTES Y GARANTIA DE SERVICIO.

Por el periodo de (2) dos años desde la fecha original de la compra, Elica proveerá, gratuitamente, partes no-consumibles o componentes que hayan fallado debido a defectos de fabricación. Durante estos (2) años de garantía limitada, Elica también proveerá gratuitamente, todo el servicio en casa y mano de obra necesaria para reemplazar cualquier parte defectuosa.

QUE NO ESTA CUBIERTO

- Daños o fallas del producto causados por accidente o actos de Dios, tales como inundaciones incendios o terremotos.
- Daños o fallas causadas por alteración del producto o por el uso de partes no-originales.
- Daños o fallas del producto causados durante la entrega, manejo o instalación.
- Daños o fallas del producto causados por abuso del usuario.
- Daños o fallas del producto causados por reemplazo de fusibles dañados o reseteo de interruptor de circuito.
- Daño o fallas causados por el uso del producto en un ambiente comercial (no domestico).
- Viajes de servicio debidos a dudas sobre el uso o instalación del producto.
- Bombillas, filtros de carbón o metal y cualquier otra parte consumible.
- Desgaste normal.
- Desgaste terminal debido a abusos del usuario, mantenimiento inadecuado, uso de productos / toallas de limpieza corrosivos o abrasivos y por uso de limpiadores para hornos.

QUIEN ESTA CUBIERTO

Esta garantía se extiende al comprador original de productos adquiridos para uso residencial en Norte America (incluyendo Estados Unidos, Guam, Puerto Rico, Islas Vírgenes de USA y Canadá).

Esta garantía no es transferible y aplica solamente al comprador original y no se extiende a propietarios subsecuentes del producto. Esta garantía se expresa en lugar de otras garantías, expresadas o implicadas, incluyendo, pero no limitada a ninguna garantía implicada de comercialización o adaptada para propósitos particulares y cualquier otra obligación por parte de Elica North America, considerando, sin embargo, que si la negación de garantías implícitas es inefectiva bajo la ley aplicable, la duración de cualquier garantía implícita será limitada a dos (2) años desde la fecha original de compra o por el periodo necesario como sea requerido por la ley aplicable.

Esta garantía no cubre cualquier daño especial, incidental y/o consecuente, ni pérdidas de ganancias, sufridas por el comprador original, sus clientes y/o usuarios del producto.

A QUIEN CONTACTAR

Para obtener Servicio bajo Garantía o para cualquier pregunta relacionada a Servicio.

Favor de llamar:

- Servicio Autorizado de Elica North America al (888) 732-8018

O escribiendo a:

- **Elica Inc.**
222 Merchandise Mart Plaza, Suite 947
Chicago, IL. 60654
USA

