

# ALLASIO

UNDER-CABINET



## COMFORT



The slim Allasio with 4 3/4" height is ideal where under-cabinet space is limited, plus the contemporary styling and gleaming colors will compliment other appliances and most cabinetry. Allasio features a 3-speed, 300 CFM internal blower, which provides sufficient ventilating power for most kitchens. The attractive Soft-Touch controls illuminate an elegant blue glow when activated and allows the user to manage blower speeds and dual halogen lamps. Dishwasher-safe anodized aluminum mesh filters are easy to clean and a snap to remove and replace. Available in 30" or 36" widths, Allasio is designed for standard ducted installation, and can be installed as a recirculating system, using the Recirculating Kit.



Halogen Lamps



Soft Touch Controls



Dishwasher Aluminum Mesh Grease Filter

### MODELS

- EAL330BL Allasio 30" Black
- EAL330WT Allasio 30" White
- EAL330SS Allasio 30" Stainless
- EAL336SS Allasio 36" Stainless

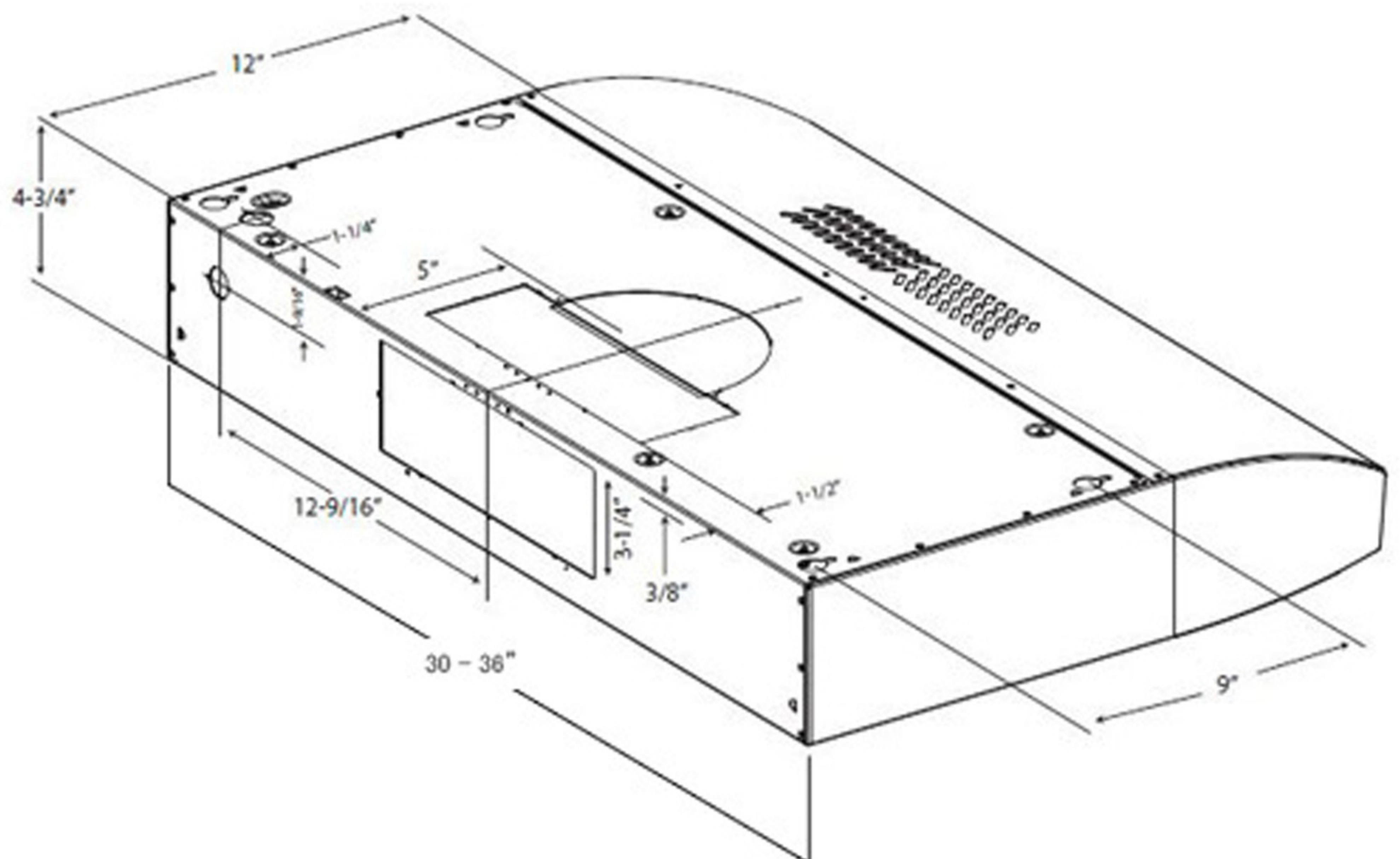
### DIMENSIONS

- (30"W x 20"D x 4<sup>3/4</sup>"H)
- (30"W x 20"D x 4<sup>3/4</sup>"H)
- (30"W x 20"D x 4<sup>3/4</sup>"H)
- (30"W x 20"D x 4<sup>3/4</sup>"H)



**FEATURES**

|                                    |   |
|------------------------------------|---|
| <b>Size (in) &amp; Type Finish</b> | 30" or 36" Wide, Under-Cabinet Hood<br>Black (30" Only), White (30" Only), Stainless Steel (30" or 36") |
| <b>Controls</b>                    | Soft Touch, Illuminated   |
| <b>Illumination</b>                | 2, 40 Watt Halogen Lamps (Bulbs Not Included)<br>1 Light Intensity                                      |
| <b>Installation Type</b>           | Ducted or Recirculating Installation<br>Recirculating Kit Sold Separately                               |
| <b>Blower Type</b>                 | 300 CFM, 3-Speed Internal   |
| <b>Blower Performance</b>          | Speed 1, 120 CFM, 1.6 Sones<br>Speed 2, 210 CFM, 3.5 Sones<br>Speed 3, 300 CFM, 5.0 Sones               |
| <b>Filter Type</b>                 | 2, Dishwasher-Safe, Anodized Aluminum Mesh Grease Filters   |
| <b>Duct Transition</b>             | 3 <sup>1</sup> / <sub>4</sub> " x 10" Rectangular (Top or Rear) (included), 7" Round (Top) (Included)   |
| <b>Electrical</b>                  | 120V - 60 Hz<br>360 Watt at 4.3 Amps  |



**ACCESSORIES**



Optional  
No Return Valve,  
7" Round

CODE: KIT02722  
MODEL: EXXNRVRD



Optional  
Recirculating Kit for  
30" Units

CODE: KIT02128  
MODEL: EBLRCK02

Optional  
Recirculating Kit for  
36" Units

CODE: KIT02179  
MODEL: EBLRCK03