



## ALLASIO UNDER-CABINET

ABSOLUTE SERIES



LED lamps



backlit electronic push button controls



Anodized Aluminum Mesh Filters

The slim Allasio with 4 ¾" height is ideal where under-cabinet space is limited, plus the contemporary styling and gleaming colors will compliment other appliances and most cabinetry. Allasio features a 3-speed, 300 CFM internal blower, which provides sufficient ventilating power for most kitchens. The attractive, backlit push button controls illuminate an elegant blue glow when activated and allows the user to manage blower speeds and dual LED lamps.

Dishwasher-safe anodized aluminum mesh filters are easy to clean and a snap to remove and replace. Available in 30" or 36" widths, Allasio is designed for standard ducted installation, and can be installed as a recirculating system, using the Recirculating Kit.

### Dimensions | Models

30" W x 20" D x 4 ¾" H | EALA3300SS  
Allasio 30" Stainless

36" W x 20" D x 4 ¾" H | EALA336SS  
Allasio 36" Stainless



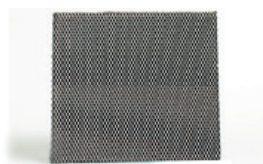
FEATURES

Size (in) & Type	30" or 36" Wide Under-Cabinet
Finish	Stainless steel
Controls	Backlit Electronic Push Button Controls
Illumination	2, 40 W LED, 1 Light Intensity (included)
Installation Type	Ducted or Recirculating Installation Recirculating Kit Sold Separately
Blower Type	300 CFM, 3-Speed Internal
Blower Performance	Speed 1, 120 CFM, 1.6 Sones Speed 2, 210 CFM, 3.5 Sones Speed 3, 300 CFM, 5.0 Sones
Filter Type	2, Dishwasher-Safe, Aluminum Mesh Grease Filters
Duct Transition	3 1/4" x 10" with Back Draft Damper (top or rear) or 7" Round (top) Sold Separately
Electrical	120V-60Hz 360 Watts at 4.3 Amps
Warranty	2 Year Parts & Labor, In-Home Service

Accessories



**Optional Back Draft Damper, 7" Round**  
CODE: KIT02723  
MODEL: EXXNRVRD

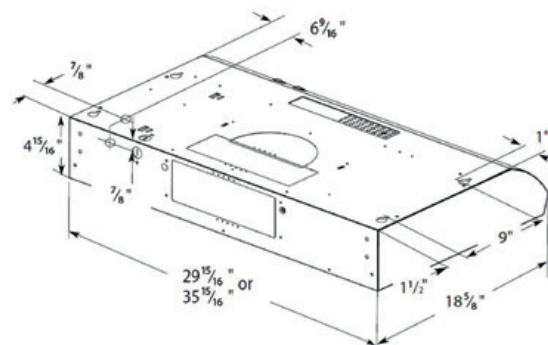


**Optional Recirculating Kit for 30" & 36" Units**  
CODE: KIT02178 / MODEL: EBLRCK02 (30")  
CODE: KIT02179 / MODEL: EBLRCK03 (36")



**Optional Stainless Steel Mesh Grease Filter**  
CODE: KIT02591 / MODEL: EBLGFK30 (30")  
CODE: KIT02592 / MODEL: EBLGFK36 (36")

Line Drawing



Consumable parts

**Replacement Grease Filter (1)**  
CODE: GF04BA (30")  
CODE: GF04BB (36")

**Replacement Carbon Filter (1)**  
CODE: TM01FA (30")  
CODE: TM01FB (36")

Consumable parts are sold in units of one (1). Order accordingly.