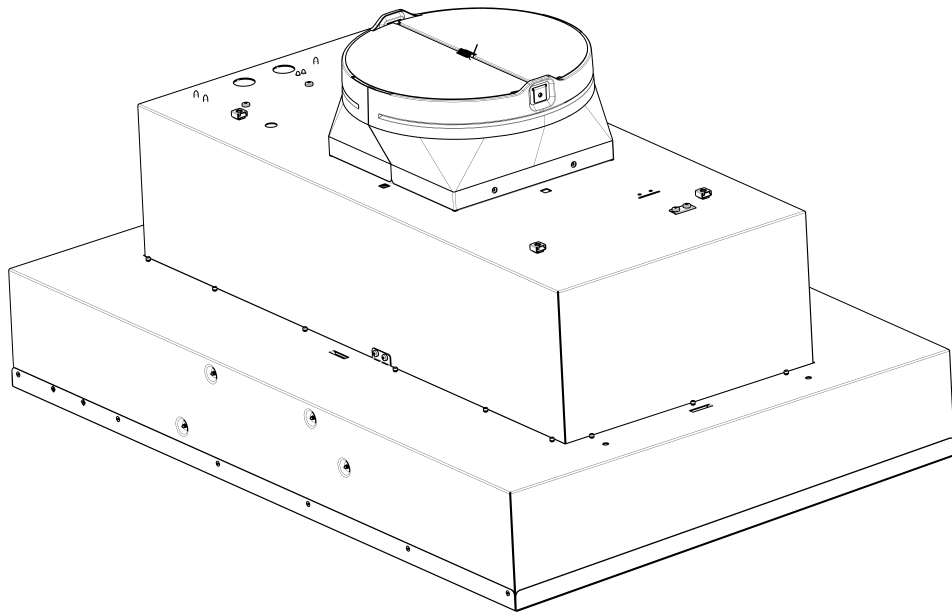


Use, Care, and Installation Guide
Guide d'utilisation, d'entretien et d'installation
Guía de instalación, uso y mantenimiento

READ AND SAVE THESE INSTRUCTIONS
LISEZ CES INSTRUCTIONS ET CONSERVEZ-LES
LEA Y GUARDE ESTAS INSTRUCCIONES



English	Contents	page	2
Français	Sommaire	page	12
Español	Contenido	página	22

English

Contents

Important safety notice.....	3
Electrical & installation requirements	4
Electrical requirements	4
Before installing the hood	4
List of materials.....	5
Parts supplied	5
Parts not supplied	5
Location requirements.....	5
Dimensions and clearances.....	5
Product dimensions.....	6
Venting requirements.....	6
Venting methods.....	7
Install range hood into hood cabinet.....	7
Prepare the location.....	7
Complete installation.....	8
To uninstall the single or dual blower motor.....	8
Install the range hood into the hood cabinet.....	8
To install the single or dual blower motor.....	8
Make electrical power supply insert.....	9
Complete installation and check operation.....	9
Hood insert use.....	10
Control buttons.....	10
Maintenance.....	10
Cleaning.....	10
Metal grease filter.....	10
Replacing the halogen lamps.....	10
Warranty	11

**APPROVED FOR RESIDENTIAL APPLIANCES
FOR RESIDENTIAL USE ONLY
READ AND SAVE THESE INSTRUCTIONS**

PLEASE READ ENTIRE INSTRUCTIONS BEFORE PROCEEDING.

INSTALLATION MUST COMPLY WITH ALL LOCAL CODES.

IMPORTANT: Save these Instructions for the Local Electrical Inspector's use.

INSTALLER: Please leave these Instructions with this unit for the owner.

OWNER: Please retain these instructions for future reference.

Safety Warning: Turn off power circuit at service panel and lock out panel, before wiring this appliance.

Requirement: 120 V AC, 60 Hz. 15 or 20 A Branch Circuit

READ AND SAVE THESE INSTRUCTIONS

Important Safety Notice

CAUTION

FOR GENERAL VENTILATING USE ONLY. DO NOT USE TO EXHAUST HAZARDOUS OR EXPLOSIVE MATERIALS OR VAPOURS.

WARNING

TO REDUCE THE RISK OF FIRE, ELECTRIC SHOCK, OR INJURY TO PERSONS, OBSERVE THE FOLLOWING:

- A. Use this unit only in the manner intended by the manufacturer. If you have questions, contact the manufacturer.
- B. Before servicing or cleaning the unit, switch power off at service panel and lock service panel disconnecting means to prevent power from being switched on accidentally. When the service disconnecting means cannot be locked, securely fasten a prominent warning device, such as a tag, to the service panel.
- C. Installation Work and Electrical Wiring Must Be Done By Qualified Person(s) In Accordance With All Applicable Codes & Standards, Including Fire-rated Construction.
- D. Sufficient air is needed for proper combustion and exhausting of gases through the flue (Chimney) of fuel burning equipment to prevent back-drafting. Follow the heating equipment manufacturers guideline and safety standards such as those published by the National Fire Protection Association (NFPA), the American Society for Heating, Refrigeration and Air Conditioning Engineers (ASHRAE), and the local code authorities.
- E. When cutting or drilling into wall or ceiling, do not damage electrical wiring and other hidden utilities.
- F. Ducted systems must always be vented to the outdoors.

CAUTION

To reduce risk of fire and to properly exhaust air, be sure to duct air outside - do not vent exhaust air into spaces within walls, ceilings, attics, crawl spaces, or garages.

WARNING

TO REDUCE THE RISK OF FIRE, USE ONLY METAL DUCT WORK.

Install this hood in accordance with all requirements specified.

WARNING

To Reduce The Risk Of Fire Or Electric Shock, Do Not Use This Hood With Any External Solid State Speed Control Device.

WARNING

TO REDUCE THE RISK OF A RANGE TOP GREASE FIRE.

- a) Never leave surface units unattended at high settings. Boilovers cause smoking and greasy spillovers that may ignite. Heat oils slowly on low or medium settings.
- b) Always turn hood ON when cooking at high heat or when flambeing food (I.e. Crepes Suzette, Cherries Jubilee, Peppercorn Beef Flambe').
- c) Clean ventilating fans frequently. Grease should not be allowed to accumulate on fan or filter.
- d) Use proper pan size. Always use cookware appropriate for the size of the surface element.

WARNING

TO REDUCE THE RISK OF INJURY TO PERSONS, IN THE EVENT OF A RANGE TOP GREASE FIRE, OBSERVE THE FOLLOWING:^a

- a) SMOTHER FLAMES with a close-fitting lid, cookie sheet, or other metal tray, then turn off the gas burner or the electric element. BE CAREFUL TO PREVENT BURNS. If the flames do not go out immediately, EVACUATE AND CALL THE FIRE DEPARTMENT.
- b) NEVER PICK UP A FLAMING PAN - you may be burned.
- c) DO NOT USE WATER, including wet dishcloths or towels - a violent steam explosion will result.
- d) Use an extinguisher **ONLY** if:
 - 1) You know you have a class ABC extinguisher, and you already know how to operate it.
 - 2) The fire is small and contained in the area where it started.
 - 3) The fire department is being called.
 - 4) You can fight the fire with your back to an exit.

^aBased on "Kitchen Fire Safety Tips" published by NFPA.

OPERATION

a. Always leave safety grills and filters in place. Without these components, operating blowers could catch onto hair, fingers and loose clothing.

The manufacturer declines all responsibility in the event of failure to observe the instructions given here for installation, maintenance and suitable use of the product. The manufacturer further declines all responsibility for injury due to negligence and the warranty of the unit automatically expires due to improper maintenance.

Electrical & Installation requirements

Electrical requirements

IMPORTANT

Observe all governing codes and ordinances.

It is the customer's responsibility:

To contact a qualified electrical installer.

To assure that the electrical installation is adequate and in conformance with National Electrical Code, ANSI/NFPA 70 — latest edition*, or CSA Standards C22.1-94, Canadian Electrical Code, Part 1 and C22.2 No.0-M91 - latest edition** and all local codes and ordinances.

If codes permit and a separate ground wire is used, it is recommended that a qualified electrician determine that the ground path is adequate.

Do not ground to a gas pipe.

Check with a qualified electrician if you are not sure range hood is properly grounded.

Do not have a fuse in the neutral or ground circuit.

IMPORTANT

Save Installation Instructions for electrical inspector's use.

The range hood must be connected with copper wire only.

The range hood should be connected directly to the fused disconnect (Or circuit breaker) box through metal electrical conduit.

Wire sizes must conform to the requirements of the National Electrical Code ANSI/NFPA 70 — latest edition*, or CSA Standards C22.1-94, Canadian Electrical Code Part 1 and C22.2 No. 0-M91 - latest edition** and all local codes and ordinances.

A U.L.- or C.S.A.-listed conduit connector must be provided at each end of the power supply conduit (at the range hood and at the junction box).

Copies of the standards listed may be obtained from:

* National Fire Protection Association Batterymarch Park Quincy, Massachusetts 02269

** CSA International 8501 East Pleasant Valley Road Cleveland, Ohio 44131-5575

Before installing the hood

1. For the most efficient air flow exhaust, use a straight run or as few elbows as possible.

CAUTION: Vent unit to outside of building, only.

2. At least two people are necessary for installation.
3. Fittings material is provided to secure the hood to most types of walls/ceilings, consult a Qualified Installer, check if they perfectly fit with your cabinet/wall.
4. Do not use flex ducting.
5. COLD WEATHER installations should have an additional backdraft damper installed to minimize backward cold air flow and a nonmetallic thermal break to minimize conduction of outside temperatures as part of the ductwork. The damper should be on the cold air side of the thermal break. The break should be as close as possible to where the ducting enters the heated portion of the house.
6. Make-Up air: Local building codes may require the use of Make-Up Air Systems when using Ducted Ventilation Systems greater than specified CFM of air movement. The specified CFM varies from locale to locale. Consult your HVAC professional for specific requirements in your area.

NOTE:

Use the Range Hood model EAR628SS (Single Blower Motor=600CFM) only above a cooktop with a maximum of 65,000 Btus.

Use the Range Hood models EAR134SS, EAR140SS & EAR146SS (Dual Blower Motor=1200CFM) above cooktops rated higher than 65,000 Btus.

List of Materials

Parts supplied

CAUTION!

Remove carton carefully, wear gloves to protect against sharp edges.

WARNING!

Remove the protective film covering the product before putting into operation.

- Metal grease filters:
 - Model EAR628SS: 2 filters
 - Model EAR134SS: 2 filters
 - Model EAR140SS: 3 filters
 - Model EAR146SS: 4 filters
- 1 - 10" (25.4 cm) square to 10" (25.4 cm) round duct transition with damper.
- 2 - 1½" x 22" stainless steel hood spacer
- 4 - 5 x 45 mm mounting screws for cabinet
- 10 - 4.2 x 8 mm mounting screws
- 2 - 18mm spacer screw (only on model EAR628SS)

Parts not supplied

Optional Accessories

- Home power supply cable
- 1 - ½" (1.3 cm) UL listed or CSA approved strain relief
- 3 - UL listed wire connectors
- 1 wall or roof cap
- Metal vent system

Tools/Materials required

- Level
- Drill
- ¼" (3 cm) drill bit
- ⅛" (3 mm) drill bit
- Pencil
- Wire stripper or knife
- Tape measure or ruler
- Pliers
- Caulking gun and weatherproof caulking compound
- Vent clamps
- Jigsaw or keyhole saw
- Flat-blade screwdriver
- Metal snips
- Phillips screwdriver

Location Requirements

IMPORTANT: Observe all governing codes and ordinances. Have a qualified technician install the hood insert. It is the installer's responsibility to comply with installation clearances specified on the model/serial rating plate. The model/serial rating plate is located on the rear wall's right side of the hood insert.

The hood insert location should be away from strong draft areas, such as windows, doors and strong heating vents. Cabinet opening dimensions that are shown must be used. Given dimensions provide minimum clearance. The hood insert must be surrounded by a custom built enclosure with hood cabinet capable of supporting 75 lb (34 kg). Grounded electrical outlet is required. See "Electrical Requirements" section on page 4. All openings in ceiling and wall where canopy hood will be installed must be sealed.

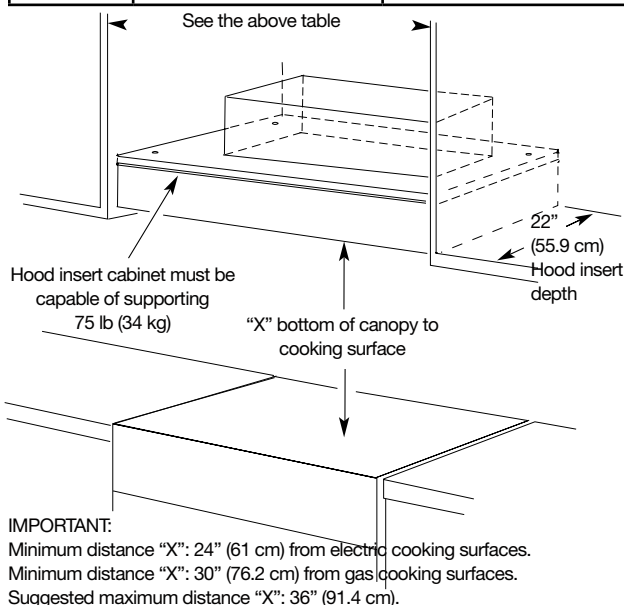
For Mobile Home Installations

The installation of this hood insert must conform to the Manufactured Home Construction Safety Standards, Title 24 CFR, Part 328 (formerly the Federal Standard for Mobile Home Construction and Safety, Title 24, HUD, Part 280) or when such standard is not applicable, the standard for Manufactured Home Installation 1982 (Manufactured Home Sites, Communities and Setups) ANSI A225.1/NFPA 501A, or latest edition, or with local codes.

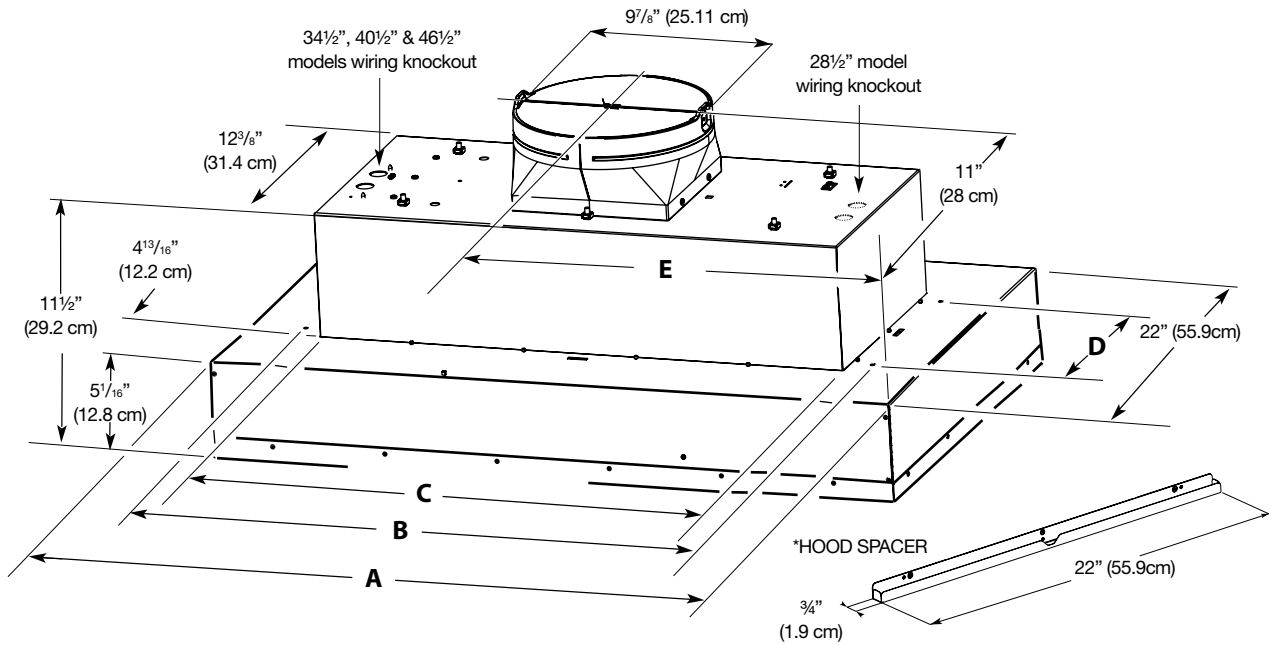
Dimensions and Clearances

This range hood has the flexibility to be installed in two different ways, depending on the width measurement or working area between the left and right cabinetry. Before beginning, it is important to determine the dimension of this working area and to consider the measurements detailed in the table below.

Range Hood Models	Range Width without spacers	Range Width with spacers
EAR628SS	28½" (72 cm)	30" (76.2 cm)
EAR134SS	34½" (87 cm)	36" (91.44 cm)
EAR140SS	40½" (102 cm)	42" (106.68 cm)
EAR146SS	46½" (117.5 cm)	48" (121.92 cm)



Product Dimensions



DIMENSIONS						
Range Hood mod.	DIM A	DIM A + spacers	DIM B	DIM C mounting holes	DIM D mounting holes	DIM E
EAR628SS	28½" (72 cm)	30" (76.2 cm)	24⅝" (61.8 cm)	22" (56 cm)	11" (28 cm)	14" (36 cm)
EAR134SS	34½" (87 cm)	36" (91.44 cm)	29⅓" (75.76 cm)	27½" (70 cm)	10⅛" (25.6 cm)	17" (43.6 cm)
EAR140SS	40½" (102 cm)	42" (106.68 cm)	29⅓" (75.76 cm)	27½" (70 cm)	10⅛" (25.6 cm)	20" (51.2 cm)
EAR146SS	46½" (117.5 cm)	48" (121.92 cm)	29⅓" (75.76 cm)	27½" (70 cm)	10⅛" (25.6 cm)	23" (58.8 cm)

Venting Requirements

Vent system must terminate to the outdoors.

- Do not terminate the vent system in an attic or enclosed areas.
- Do not use 4" (10.2 cm) laundry-type wall caps.
- Use metal vent only. Rigid metal vent is recommended. Plastic or metal foil vent is not recommended.
- The length of vent system and number of elbows should be kept to a minimum to provide efficient performance.

For the most efficient and quiet operation:

- Use no more than three 90° elbows.
- Make sure there is a minimum of 24" (61.0 cm) of straight vent between the elbows if more than 1 elbow is used.
- Do not install 2 elbows together.
- Use clamps to seal all joints in the vent system and use furnace duct tape to fully seal joint connection.
- Use caulking to seal exterior wall or roof opening around the cap.
- The size of the vent should be uniform.

Cold weather installations

An additional back draft damper should be installed to minimize backward cold air flow as part of the vent system. A thermal break should be installed to minimize conduction of outside temperatures as part of the vent system. The damper should be on the cold air side of the thermal break. The break should be as close as possible to where the vent system enters the heated portion of the house.

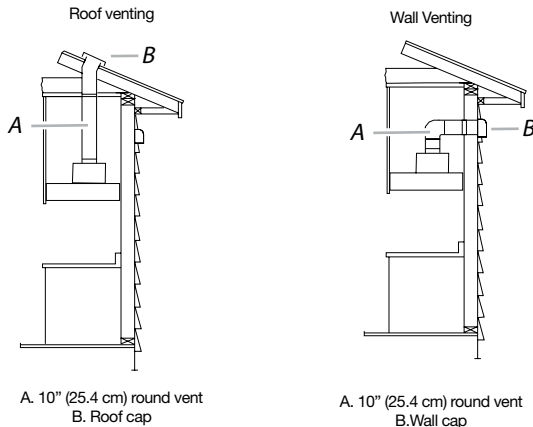
Make-Up air

Local building codes may require the use of make-up air systems when using ventilation systems greater than specified CFM of air movement. The specified CFM varies from locale to locale. Consult your HVAC professional for specific requirements in your area.

Venting Methods

- The hood exhaust opening has a 10" diameter round vent outlet.
- On installations using the 600 CFM Blower Motor Systems, 8" round vent system is recommended.
- On installations using the 1200 CFM Blower Motor Systems, a 10" round vent system should be used.
- You can use a smaller round vent system, but there will be a louder sound level.

NOTE: Flexible vent is not recommended. Flexible vent creates back pressure and air turbulence that greatly reduce performance. Vent system can terminate either through the roof or wall. To vent through the wall, a 90° elbow is needed.



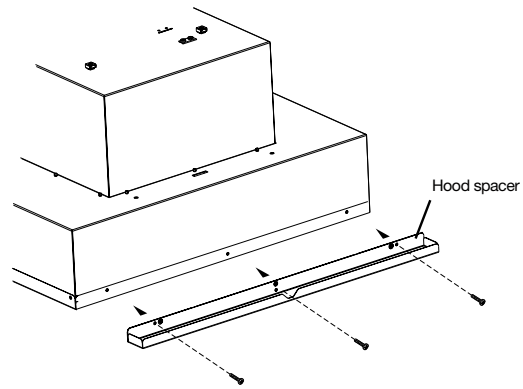
Prepare the Location

1. Disconnect power.
2. Determine which venting method to use: roof or wall exhaust.
3. Select a flat surface for assembling the hood insert. Place covering over that surface.
 - It is recommended that the vent system be installed before hood is installed.
 - Before making cutouts, make sure there is proper clearance within the ceiling or wall for exhaust vent.
 - Hood insert should be installed a minimum 24" (61 cm) above an electric cooktop surface and 30" (76.2 cm) above a gas cook top surface. The maximum recommended height over both cook tops is 36" (91.44 cm).
 - Check that all installation parts have been removed from the shipping carton.
4. Using 2 or more people, lift hood insert onto covered surface.
5. Remove the filters. See the "Cleaning" section.

Stainless Steel Hood Spacer Installation

You can elongate 1.5" of your range hood width (¾" per side), installing the stainless steel spacers included with your range hood.

1. Unpack the spacer and take off the protective.
2. Put each one on the right and the left side
3. Fasten hood spacer using four 5 x 45 mm screws to the hood cabinet and tighten securely.



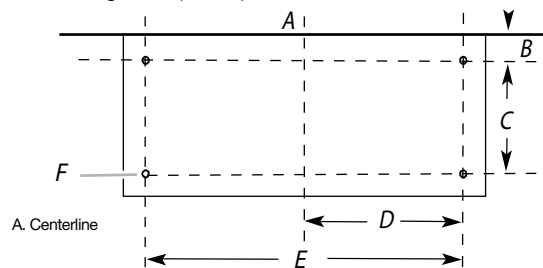
Install Range Hood into Hood Cabinet

The range hood attaches to the hood cabinet using four mounting screws and washers.

NOTE: Hood cabinet must be capable of supporting 75 lb (34 kg).

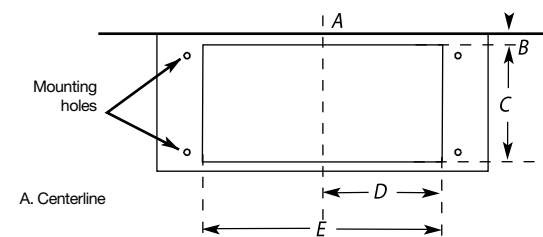
Prepare Range hood for mounting into cabinet

1. Mark the locations for the four mounting screws on the hood cabinet as shown below.
2. Using a 1/8" (3 mm) drill bit, drill the 4 holes.



MOUNTING HOLE DIMENSIONS					
Hood Insert	DIM B	DIM C	DIM D	DIM E	DIM F
EAR628SS	5½" (14 cm)	11" (28 cm)	12½" (30.9 cm)	24½" (61.8 cm)	Ø1/8" (3mm)
EAR134SS	6" (15.5 cm)	10½" (25.6 cm)	14½" (38 cm)	29½" (75.8 cm)	Ø1/8" (3mm)
EAR140SS	6" (15.5 cm)	10½" (25.6 cm)	14½" (38 cm)	29½" (75.8 cm)	Ø1/8" (3mm)
EAR146SS	6" (15.5 cm)	10½" (25.6 cm)	14½" (38 cm)	29½" (75.8 cm)	Ø1/8" (3mm)

3. Mark the cutout for the rectangular clearance hole for the upper range hood motor housing as shown.
4. Using a jigsaw or keyhole saw, cut out the rectangular clearance hole for the upper range hood housing.



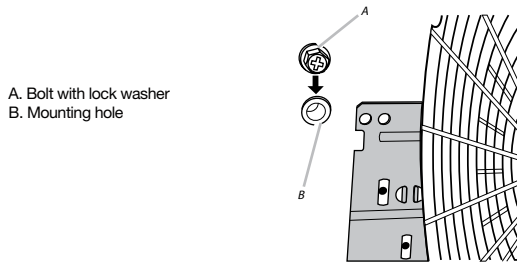
UPPERHOOD MOTOR HOUSINGS DIMENSIONS				
Hood Insert	DIM B	DIM C	DIM D	DIM E
EAR628SS	4½" (12.2 cm)	12½" (32.7 cm)	11¼" (28.57 cm)	22½" (57.15 cm)
EAR134SS	4½" (12.2 cm)	12½" (32.7 cm)	14" (35.56 cm)	28" (71.12 cm)
EAR140SS	4½" (12.2 cm)	12½" (32.7 cm)	14" (35.56 cm)	28" (71.12 cm)
EAR146SS	4½" (12.2 cm)	12½" (32.7 cm)	14" (35.56 cm)	28" (71.12 cm)

Complete Installation

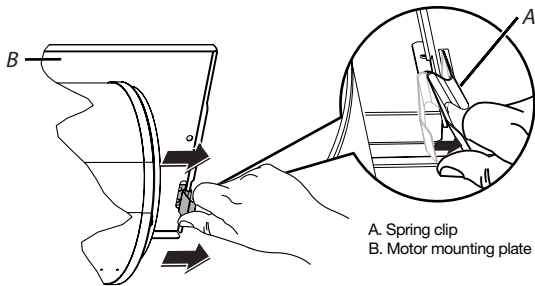
NOTE: To make easier the hood mounting on the cabinet, is recomended to uninstall the blower motor located inside the hood insert.

To uninstall the single or dual Blower motor

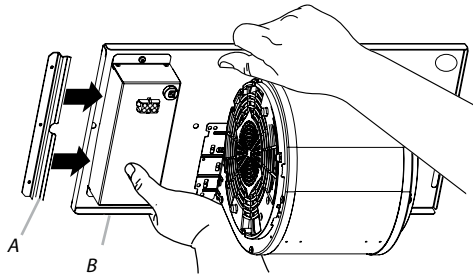
1. Remove the 6 x 16 mm bolts and the lock washers.



2. Press the spring clip (A) to release the blower mounting plate right flange (B).



3. Slide the mounting plate to the right to release it, and put it aside.



Install the range hood into the hood cabinet

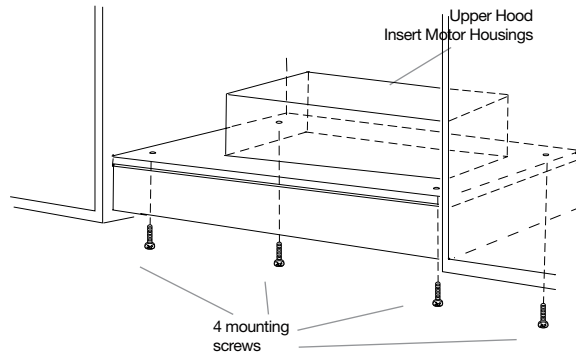
1. Determine and make all necessary cuts in the wall or roof for the vent system. Install the vent system before installing the cabinet hood insert. See the "Venting Requirements" section.
2. Determine the location where the power supply cable will be run through the wall.
3. Drill a 1 1/4" (3.2 cm) hole at this location.
4. Pull enough power supply cable through the wall to allow for easy connection to the terminal box.
5. Remove terminal box cover and set aside.
6. Remove knockout from the top of the vent hood and install a UL listed or CSA approved 1/2" (1.3 cm) strain relief.
7. Place the hood insert near its mounting position and run the power supply cable through the strain relief into terminal box (enough to make connection).
8. Tighten the strain relief screws.
9. Using 2 or more people, lift the hood insert into hood cabinet.

10. Fasten the hood insert using four 5 x 45 mm screws to the hood cabinet and tighten securely.

WARNING

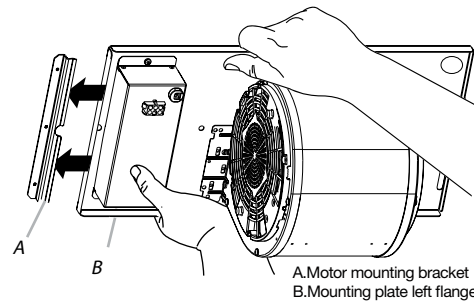
Excessive weight hazard

Use two or more people to move and install hood insert. Failure to do so can result in back or other injury.



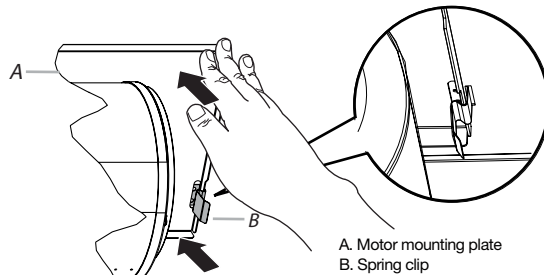
To install the single or dual Blower motor

1. To install blower motor assembly, slide the left mounting plate flange under the motor mounting bracket.

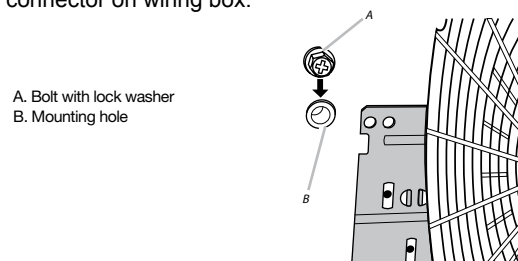


2. Push the right end of the motor mounting plate down and snap it into the spring tab.

NOTE: The spring tab should be outside the slot in the mounting plate.

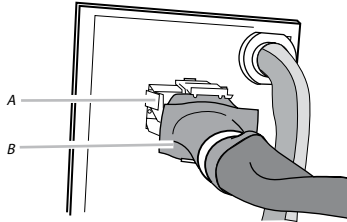


3. Align mounting holes and install 6 x 16 mm bolts and 6.4 mm lock washers.
4. Attach power cord connector from the hood insert to connector on wiring box.



Complete Installation and Check Operation

A. Wiring Box Connector
B. Hood Insert Connector

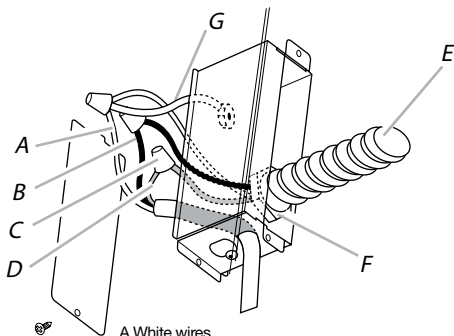


Make Electrical Power Supply Connection to Hood Insert

WARNING

Electrical Shock Hazard
Disconnect power before servicing.
Replace all parts and panels before operating.
Failure to do so can result in death or electrical shock.

1. Disconnect power.
2. Locate terminal box inside of the hood insert.



A. White wires
B. Black wires
C. UL listed wire connectors
D. Green, bare or yellow/green wires
E. Home power supply
F. UL listed or CSA approved 1/2" (1.3 cm) strain relief
G. Ground Wire tab

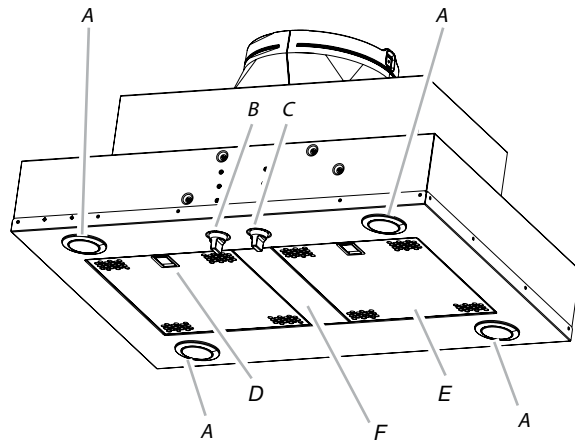
3. Use UL listed wire connectors and connect black wires (B) together.
4. Use UL listed wire connectors and connect white wires (A) together.

WARNING

Electrical Shock Hazard
Electrically ground blower.
Connect ground wire to green and yellow ground wire in terminal box.
Failure to do so can result in death or electrical shock.

5. Connect green (or bare) ground wire from home power supply to the green/yellow ground wire (D) in terminal box using UL listed wire connectors.
6. Install terminal box cover.
7. Check that all light bulbs are secure in their sockets.
8. Reconnect power.

1. Install grease filters. See the "Cleaning" section.
2. Check operation of the Hood Insert blower and lights. See the "Hood Insert Use" section.



A. Halogen lights
B. Halogen light switch
C. Blower control switch
D. Grease filter handle
E. Grease filter
F. Filter Spacer (Only for EAR628SS model)

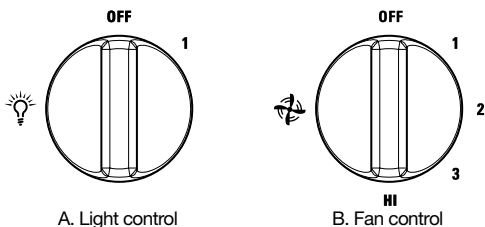
3. If the hood insert does not operate, check to see whether a circuit breaker has tripped or a house hold fuse has blown.
4. Disconnect power supply and check that the wiring is correct.

NOTE: To get the most efficient use from your new hood insert, read the "Hood Insert Use" section.

Hood Insert Use

The hood insert is designed to remove smoke, cooking vapors and odors from the cooktop area. For best results, start the hood before cooking and allow it to operate several minutes after the cooking is complete to clear all smoke and odors from the kitchen.

The hood controls are located on the underside of the hood insert.



Operating the light

Turn the light switch (A) to the left 1 position to turn the light ON.
Turn the light switch (A) to the right 1 position to turn the light OFF.

Operating the fan

The fan has 4 speeds. Rotate the fan switch (B) to the left to turn the fan to the ON position. Continue to rotate the switch to the desired fan speed.
To turn the fan OFF, rotate the fan speed (B) switch to the right to the OFF position.

WARNING: The internal blower motor of the hood is thermally protected against high temperatures. If the hood insert is not turned on during the cooking process, high temperatures could be present inside the hood and the motor could not work until the temperature is safe. The hood insert should be turned on during cooking operations.

Cleaning

IMPORTANT: Clean the hood insert and grease filters frequently according to the following instructions. Replace grease filters before operating hood insert.

Exterior Surfaces:

To avoid damage to the exterior surface, do not use steel wool or soap-filled scouring pads.
Always wipe dry to avoid water marks.

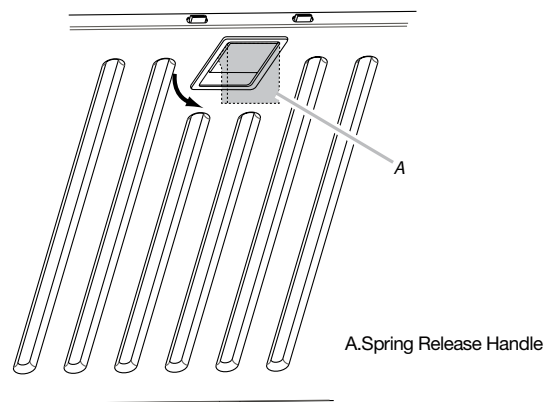
Cleaning Method:

- Liquid detergent soap and water, or all-purpose cleaner.
- Wipe with damp soft cloth or nonabrasive sponge, then rinse with clean water and wipe dry.

Metal Grease Filter

The filters should be washed frequently. Place metal filters in dishwasher or hot detergent solution to clean. Let filter dry thoroughly before replacing it.
Turn off fan and lights. Allow halogen lamp to cool.

1. Remove each filter by pulling the spring release handle and then pulling down the filter.

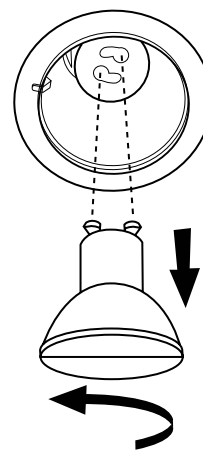


2. Wash metal filters as needed in dishwasher or hot detergent solution.
3. Reinstall the filter by making sure the spring release handles are toward the front. Insert metal grease filter into upper track.
4. Pull the spring release handle down.
5. Push up on metal filter and release handle to latch into place.

Replacing the Halogen Lamps

Turn off the range hood and allow the halogen lamp to cool. To avoid damage or decreasing the life of the new bulb, do not touch bulb with bare fingers. Replace bulb, using tissue or wearing cotton gloves to handle bulb. If new lamps do not operate, make sure the lamps are inserted correctly before calling service.

1. Disconnect power.
2. Push up on the lens and turn it counterclockwise.
3. Remove the bulb and replace it with a 120-volt, 50-watt maximum halogen bulb with a GU10 base. Turn it clockwise to lock it into place.
4. Repeat steps 2-3 for the other bulb if needed.
5. Reconnect power.



Warranty

ELICA North America

TWO-YEARS LIMITED WARRANTY

TO OBTAIN SERVICE UNDER WARRANTY

Owner must present proof of original purchase date. Please keep a copy of your dated proof of purchase (sales slip) in order to obtain service under warranty.

PARTS AND SERVICE WARRANTY

For the period of two (2) years from the date of the original purchase, Elica will provide free of charge, non consumable parts or components that failed due to manufacturing defects. During these two (2) years limited warranty, Elica will also provide free of charge, all labor and in-home service to replace any defective parts.

WHAT IS NOT COVERED

- Damage or failure to the product caused by accident or act of God, such as, flood, fire or earthquake.
- Damage or failure caused by modification of the product or use of non-genuine parts.
- Damage or failure to the product caused during delivery, handling or installation.
- Damage or failure to the product caused by operator abuse.
- Damage or failure to the product caused by dwelling fuse replacement or resetting of circuit breakers.
- Damage or failure caused by use of product in a commercial application.
- Service trips to dwelling to provide use or installation guidance.
- Light bulbs, metal or carbon filters and any other consumable part.
- Normal wear of finish.
- Wear to finish due to operator abuse, improper maintenance, use of corrosive or abrasive cleaning products/pads and oven cleaner products.

WHO IS COVERED

This warranty is extended to the original purchaser for products purchased for ordinary residential use in North America (Including the United States, Guam, Puerto Rico, US Virgin Islands & Canada).

This warranty is non-transferable and applies only to the original purchaser and does not extend to subsequent owners of the product. This warranty is made expressly in lieu of all other warranties, expressed or implied, including, but not limited to any implied warranty of merchantability or fitness for a particular purpose and all other obligations on the part of Elica North America, provided, however, that if the disclaimer of implied warranties is ineffective under applicable law, the duration of any implied warranty arising by operation of law shall be limited to two (2) years from the date of original purchase at retail or such longer period as may be required by applicable law.

This warranty does not cover any special, incidental and/or consequential damages, nor loss of profits, suffered by the original purchaser, its customers and/or the users of the Products.

WHO TO CONTACT

To obtain Service under Warranty or for any Service Related Question

Please Call:

- Elica North America Authorized Service at (888) 732-8018

Or by Writing To:

- Elica North America, Attention Customer Service, 222 Merchandise Mart Plaza
Suite 947, Chicago, IL 60654 USA
infoamericas@elica.com

Français

Sommaire

Avis de sécurité important.....	13
Exigences électriques et exigences d'installation	14
Exigences électriques	14
Avant d'installer la hotte.....	14
Liste des pièces.....	15
Pièces fournies.....	15
Parts not supplied	15
Exigences d'emplacement.....	15
Dimensions et dégagements.....	15
Dimensions du produit.....	16
Exigences concernant l'évacuation.....	16
Méthodes d'évacuation.....	17
Préparation de l'emplacement.....	17
Installation del spacer en acier inoxydable.....	17
Préparation du support de la caisse de la hotte.....	17
Pour désinstaller le moteur simple ou dual.....	18
Installation de la caisse de la hotte.....	18
Installation du moteur interne de la caisse de la hotte.....	18
Réalisation des connexions de l'alimentation électrique.....	19
Achever l'installation et vérifier le fonctionnement.....	19
Utilisation de la hotte.....	20
Comandes.....	20
Entretien.....	20
Nettoyage.....	20
Filtre à graisse	20
Remplacement des ampoules.....	20
Informations sur la garantie.....	21

**APPROUVÉ COMME APPAREIL DOMESTIQUE
POUR UNE UTILISATION RÉSIDENIELLE SEULEMENT
LISEZ CES INSTRUCTIONS ET CONSERVEZ-LES**

VEUILLEZ LIRE CES INSTRUCTIONS AU COMPLET AVANT DE COMMENCER.

L'INSTALLATION DE L'APPAREIL DOIT RESPECTER TOUS LES CODES EN VIGUEUR.

IMPORTANT : Conservez ces instructions afin de pouvoir les remettre à l'inspecteur-électricien de votre région.

INSTALLATEUR : Veuillez laisser ces instructions avec l'appareil pour le propriétaire.

PROPRIÉTAIRE : Veuillez conserver ces instructions pour pouvoir vous y référer plus tard.

Avertissement de sécurité : Coupez l'alimentation du circuit dans le panneau électrique et verrouillez le panneau avant de raccorder les fils de cet appareil.

Exigence : 120 V c.a., 60 Hz circuit de dérivation de 15 V c.a., 20 Hz, de 15 ou 20 A.

LIRE ET CONSERVER CES INSTRUCTIONS

Avis de sécurité important

ATTENTION

UTILISER CET APPAREIL À DES FINS DE VENTILATION GÉNÉRALE SEULEMENT. NE PAS UTILISER CET APPAREIL POUR ÉVACUER DES MATÉRIAUX OU DES VAPEURS DANGEREUX OU EXPLOSIFS.

AVERTISSEMENT

POUR RÉDUIRE LES RISQUES D'INCENDIE, DE CHOC ÉLECTRIQUE ET DE BLESSURE, RESPECTER LES DIRECTIVES SUIVANTES :

- A. Utiliser cet appareil uniquement aux fins prévues par le fabricant. Si vous avez des questions à propos de l'appareil, communiquez avec le fabricant.
- B. Avant de faire l'entretien de l'appareil ou de le nettoyer, coupez l'alimentation dans le panneau électrique et verrouillez le panneau en bloquant le dispositif permettant d'empêcher d'activer l'alimentation accidentellement. S'il n'est pas possible de verrouiller l'accès au panneau, fixez une étiquette très voyante au panneau électrique.
- C. Une personne qualifiée doit effectuer l'installation et le câblage des fils électriques en conformité avec tous les codes et toutes les normes, y compris la cote de résistance au feu.
- D. Il est important de prévoir suffisamment d'air pour assurer une bonne combustion de l'équipement de chauffe et l'évacuation adéquates des gaz par le conduit de cheminé afin de prévenir les refoulements d'air. Respectez les directives et les normes de sécurité des fabricants de l'équipement de chauffage, comme celles publiées par la National Fire Protection Association (NFPA), la American Society for Heating, Refrigeration and Air Conditioning Engineers (ASHRAE) et le code des autorités de votre région.
- E. Au moment de couper ou de percer un mur ou un plafond, assurez-vous de ne pas endommager la filerie électrique ou tout autre accès à un service publique.
- F. Il faut toujours évacuer à l'extérieur les systèmes à conduit.

ATTENTION

Pour réduire les risques d'incendie et évacuer l'air correctement, assurez-vous que le conduit mène à l'extérieur; il ne faut pas évacuer l'air dans l'espace entre les murs, dans les plafonds, dans les greniers, les vides sanitaires ou les garages.

AVERTISSEMENT

POUR RÉDUIRE DES RISQUES D'INCENDIE, UTILISEZ UNIQUEMENT DES CONDUITS EN MÉTAL.

Installez cette hotte en respectant toutes les exigences mentionnées.

AVERTISSEMENT

Pour réduire les risques d'incendie et de choc électrique, n'utilisez pas cette hotte avec un contrôleur de vitesse à semi-conducteurs.

AVERTISSEMENT

POUR RÉDUIRE LES RISQUES D'INCENDIE DE GRAISSE SUR LES CUISINIÈRES.

- a) Ne laissez jamais la cuisinière sans surveillance lorsqu'elle est réglée à une haute température. Les débordements par bouillonnement causent de la fumée et des débordements de gras qui peuvent s'enflammer. Faites chauffer l'huile lentement, à une température basse ou moyenne.
- b) Faites toujours fonctionner la hotte lorsque vous utilisez la cuisinière à une haute température ou que vous faites flamber des aliments (P. ex. : crêpes Suzette, cerises jubilé, boeuf au poivre flambé).
- c) Nettoyez les hélices de ventilation fréquemment. Il ne faut pas que la graisse s'accumule sur les filtres ou les hélices.
- d) Utilisez le bon format de casserole. Utilisez toujours un chaudron de taille approprié à l'élément de la cuisinière.

AVERTISSEMENT

POUR ÉVITER DE BLESSER QUELQU'UN LORS D'UN INCENDIE DE GRAISSE SUR LA CUISINIÈRE, SUIVRE LES CONSEILS SUIVANTS: ^a

- a) **ÉTOUFFER LES FLAMMES** avec un couvercle aux dimensions de la taque de cuisson, une tôle à biscuit ou tout autre plateau métallique, puis couper le gaz ou l'alimentation électrique de la cuisinière. **FAIRE ATTENTION A NE PAS SE BRÛLER.** Si les flammes ne s'éteignent pas immédiatement, **QUITTER LA PIÈCE ET APPELER LES POMPIERS.**
- b) **NE JAMAIS PRENDRE EN MAIN UNE CASSEROLE EN FEU**, vous pourriez vous blesser.
- c) **NE PAS UTILISER D'EAU**, y compris les essuies de vaisselle ou les serviettes humides – une violente explosion due à la vapeur formée pourrait survenir.
- d) Utiliser un extincteur **SEULEMENT** si:
 - 1) Vous êtes sûr d'avoir un extincteur de classe ABC que vous savez utiliser.
 - 2) Le feu est petit et confiné à la zone où il s'est formé.
 - 3) Les pompiers ont été appelés.
 - 4) Vous pouvez lutter contre le feu avec une sortie derrière vous.

^a Recommandations tirées des conseils de sécurité en cas d'incendie de cuisine publiés par la NFPA.

MODE OPÉRATOIRE

a. Toujours laisser les grilles de sécurité et les filtres à leur place. Sans la présence de ces derniers, les parties aspirantes pourraient attirer les cheveux, les doigts ou les vêtements.

Le fabricant décline toute responsabilité si les informations détaillées dans ce manuel pour l'installation, l'entretien et l'utilisation adéquate du produit ne sont pas observées. Le fabricant décline en outre toute responsabilité pour d'éventuelles blessures dues à des négligences; en outre, la garantie de l'appareil sera annulée suite à des conditions d'entretien inappropriées. Cet appareil est fabriqué pour un usage interne. Ne pas utiliser cet appareil à l'extérieur.

Exigences électriques et d'installation

Spécifications électriques

IMPORTANT

Respectez tous les codes et les ordonnances en vigueur.

Le client a la responsabilité de:

Contactez un électricien-installateur.

Vérifier que l'installation électrique est adéquate et conforme avec le Code national de l'électricité, ANSI/NFPA 70 (la plus récente édition*), ou les normes C22.1-94, Code canadien de l'électricité, Partie 1 et C22.2 No.0-M91 (La plus récente édition**) de la CSA, ainsi que tous les codes et les ordonnances de votre région.

Si le code le permet et que vous utilisez un fil de mise à la terre distinct, il est recommandé de faire vérifier le chemin du fil par un électricien.

Ne pas mettre l'appareil à la terre sur une conduite de gaz. Consultez un électricien qualifié si vous n'êtes pas certain que la hotte est mise à la terre correctement. N'installez pas un fusible dans le circuit neutre ou le circuit de mise à la terre.

IMPORTANT

Conservez ces instructions afin de pouvoir les remettre à l'inspecteur-électricien.

La hotte doit être câblée uniquement à l'aide de fils de cuivre.

Il faut raccorder la hotte directement à une boîte à fusible ou à un disjoncteur par l'entremise d'une canalisation électrique en métal.

Le calibre de fil doit être conforme aux exigences du Code national de l'électricité, ANSI/NFPA 70 (La plus récente édition*), ou les normes C22.1-94, Code canadien de l'électricité, Partie 1 et C22.2 0-M91 (La plus récente édition**) de la CSA, ainsi que tous les codes et les ordonnances de votre région.

Il faut prévoir un connecteur de canalisation approuvé par l'UL ou la CSA à chaque extrémité de la canalisation d'alimentation (À la hotte et à la boîte de jonction).

Vous pouvez obtenir un exemplaire des normes indiquées en vous adressant à :

* La National Fire Protection Association, Batterymarch Park
Quincy, Massachusetts, 02269

** La CSA International, 8501 East Pleasant Valley Road,
Cleveland, Ohio, 44131-5575

Avant d'installer la hotte

1. Pour assurer la ventilation la plus efficace possible,] installez la conduite en ligne droite ou avec le moins de coudes possibles.
ATTENTION: La sortie de la conduite de ventilation doit donner sur l'extérieur.
2. Deux personnes sont nécessaires pour effectuer l'installation.
3. La quincaillerie fournie permet de fixer la hotte à la plupart des murs et des plafonds; consultez un installateur qualifié pour vous assurer que la quincaillerie fournie est adaptée à votre type de mur ou d'armoire.
4. N'utilisez pas de conduit flexible.
5. Dans le cas des endroits sujets aux TEMPÉRATURES FROIDES, il faut installer un clapet de contre-tirage supplémentaire afin de minimiser le retour d'air froid et un isolant thermique non métallique afin de minimiser la conduction de la température extérieure dans le conduit. Il faut placer le clapet du côté de l'air froid de l'isolant thermique.
L'isolant doit être placé le plus près possible de l'endroit où le conduit entre dans la partie chauffée de la maison.
6. Air d'appoint : Le code du bâtiment de votre région peut exiger l'utilisation d'un système d'air d'appoint si vous utilisez un système de ventilation à conduit dont le mouvement d'air dépasse un certain nombre de CFM. Le nombre de pi3/min varie d'une région à l'autre. Consultez un professionnel de CVC pour connaître les exigences précises de votre région.

ATTENTION

Enlever délicatement le carton, Porter des gants pour se protéger des bords coupants.

AVERTISSEMENT

Utilisez le modèle d' Hotte EAR628SS (Simple Moteur du ventilateur = 600CFM) seulement au-dessus une plaque de cuisson avec un maximum de 65 000 BTU.

Utilisez les modèles d' Hotte EAR134SS, EAR140SS & EAR146SS (Dual Moteur du ventilateur = 1200CFM) seulement ci-dessus les tables de cuisson nominale supérieure à 65 000 BTU.

Outils et pièces

Pièces fournies

Enlever l'emballage

ATTENTION

Enlever délicatement le carton, Porter des gants pour se protéger des bords coupants.

AVERTISSEMENT

Enlever le film de protection recouvrant le produit avant de commencer l'opération.

- Filtre anti-graisse métallique:
 - Modèles EAR628SS: 2 filtres
 - Modèles EAR134SS: 2 filtres
 - Modèles EAR140SS: 3 filtres
 - Modèles EAR146SS: 4 filtres
- 1 - raccord de conduit carré de 10" (25,4 cm) à rond de 10" (25,4 cm) avec clapet anti-retour.
- 2 - 1½" x 22" entretoise de la hotte en acier inoxydable
- 4 - vis de montage de 5 x 45 mm
- 10 - vis de montage de 4.2 x 8 mm
- 2 - 18mm entretoise vis (seulement dans modèle EAR628SS)

Pièces non fournies

Accessoires optionnels

- Câble d'alimentation électrique du domicile
- 1 serre-câble de ½" (1,3 cm) (homologation UL ou CSA)
- 3 connecteurs de fils homologués UL
- 1 bouche de décharge (décharge à travers le mur ou à travers le toit)
- Circuit d'évacuation métallique

Outils nécessaires

- Niveau
- Perceuse
- Foret de 1¼" (3 cm)
- Foret de ⅜" (3 mm)
- Crayon
- Pince à dénuder ou couteau utilitaire
- Mètre-ruban ou règle
- Pince
- Pistolet à calfeutrage et composé de calfeutrage résistant aux intempéries
- Brides de conduit
- Scie sauteuse ou scie à guichet
- Tournevis à lame plate
- Cisaille de ferblantier
- Tournevis Phillips

Exigences d'emplacement

IMPORTANT: Observer les dispositions de tous les codes et règlements en vigueur.

Demander à un technicien qualifié d'installer la caisse de la hotte. C'est à l'installateur qu'incombe la responsabilité de respecter les distances de séparation spécifiées sur la plaque signalétique de l'appareil. La plaque signalétique de l'appareil est située derrière le filtre de gauche, sur la paroi arrière de caisse de hotte.

La caisse de la hotte doit être installée à l'écart de toute zone exposée à des courants d'air, comme des fenêtres, des portes et bouches de chauffage à fort débit.

Respecter les dimensions indiquées pour les ouvertures à découper dans les placards. Ces dimensions tiennent compte des valeurs minimales des dégagements de séparation.

La caisse de la hotte doit se trouver dans un enceinte construite sur mesure avec un support de hotte capable de soutenir une charge de 75 lb (34 kg).

On doit disposer d'une prise de courant électrique reliée à la terre. Voir la section "Spécifications électriques".

On doit assurer l'étanchéité au niveau de chaque ouverture découpée dans le plafond ou un mur traversé par l'équipement de la hotte.

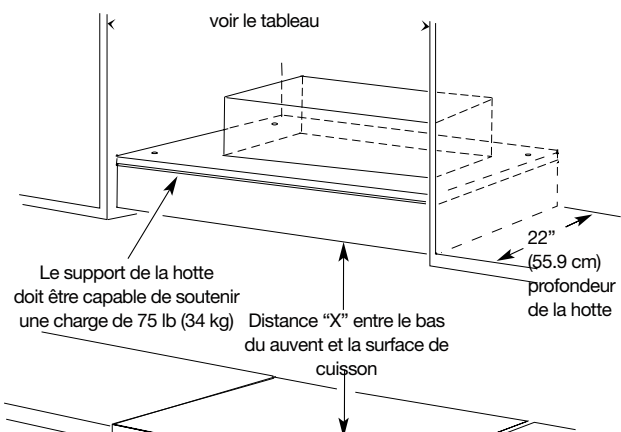
Installation dans une résidence mobile

L'installation de cette hotte doit satisfaire aux exigences de la norme Manufactured Home Construction Safety Standards, Titre 24 CFR, partie 328 (anciennement Federal Standard for Mobile Home Construction and Safety, titre 24, HUD, partie 280); lorsque cette norme n'est pas applicable, l'installation doit satisfaire aux critères de la plus récente édition de la norme Manufactured Home Installation 1982 (Manufactured Home Sites, Communities and Setups) ANSI A225.1/NFPA 501A, ou des codes locaux.

Dimensions du placard

Cette hotte a la flexibilité de pour être installé de deux façons différentes, en fonction de la taille de la largeur ou superficie entre l'armoire de gauche et de droite. Avant de commencer, vous avez besoin de savoir qui est la zone de ce domaine et d'envisager les mesures dans le tableau ci-dessous.

Hotte Modèle	Hotte Largeur sans entretoise	Hotte Largeur avec entretoise
EAR628SS	28½" (72 cm)	30" (76.2 cm)
EAR134SS	34½" (87 cm)	36" (91.44 cm)
EAR140SS	40½" (102 cm)	42" (106.68 cm)
EAR146SS	46½" (117.5 cm)	48" (121.92 cm)



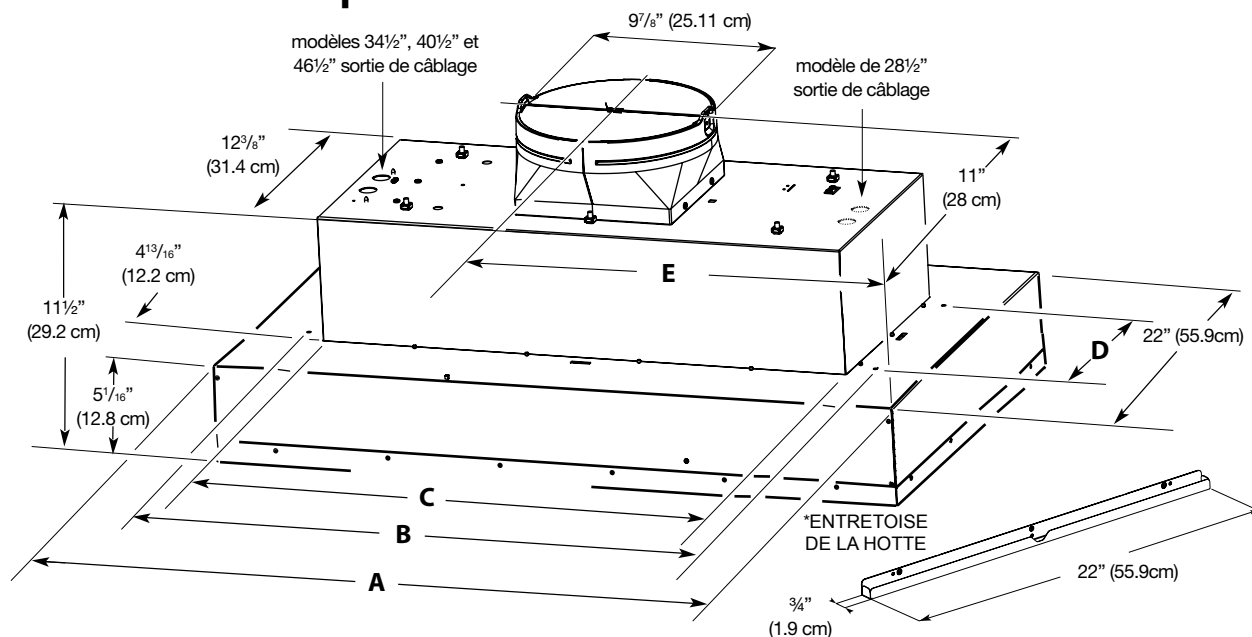
IMPORTANT:

Valeur minimale de la distance "X" : 24" (61 cm) à partir des surfaces de cuisson électriques.

Valeur minimale de la distance "X" : 30" (76,2 cm) à partir des surfaces de cuisson au gaz.

Valeur maximale suggérée pour la distance "X" : 36" (91,4 cm)

Dimensions du produit



DIMENSIONS						
Hotte de la Cuisiniere modèles	DIM A	DIM A + entretoise	DIM B	DIM C Trous de emplacement	DIM D Trous de emplacement	DIM E
EAR628SS	28½" (72 cm)	30" (76.2 cm)	24 ⁵ / ₁₆ " (61.8 cm)	22" (56 cm)	11" (28 cm)	14" (36 cm)
EAR134SS	34½" (87 cm)	36" (91.44 cm)	29 ¹³ / ₁₆ " (75.76 cm)	27½" (70 cm)	10 ¹ / ₁₆ " (25.6 cm)	17" (43.6 cm)
EAR140SS	40½" (102 cm)	42" (106.68 cm)	29 ¹³ / ₁₆ " (75.76 cm)	27½" (70 cm)	10 ¹ / ₁₆ " (25.6 cm)	20" (51.2 cm)
EAR146SS	46½" (117.5 cm)	48" (121.92 cm)	29 ¹³ / ₁₆ " (75.76 cm)	27½" (70 cm)	10 ¹ / ₁₆ " (25.6 cm)	23" (58.8 cm)

Exigences concernant l'évacuation

- Le système doit décharger l'air à l'extérieur.
- Ne pas terminer le circuit d'évacuation dans un grenier ou dans un autre espace clos.
- Ne pas utiliser une bouche de décharge murale de 4" (10,2 cm) normalement utilisée pour un équipement de buanderie.
- Utiliser un conduit métallique uniquement. Un conduit en métal rigide est recommandé. Ne pas utiliser de conduit de plastique ou en aluminium.
- La longueur du système d'évacuation et le nombre de coudes doit être réduit au minimum pour des performances optimales.

Pour un fonctionnement efficace et silencieux:

- Ne pas utiliser plus de trois coudes à 90°.
- Veiller à ce qu'il y ait une section droite de conduit d'un minimum de 24" (61 cm) entre les raccords coudés, si on doit en utiliser plus d'un.
- Ne pas installer 2 coudes successifs.
- Au niveau de chaque jointure du circuit d'évacuation, assurer l'étanchéité avec les brides de serrage, et utiliser du ruban adhésif pour sceller complètement les connexions.
- À l'aide d'un produit de calfeutrage, assurer l'étanchéité autour de la bouche de décharge à l'extérieur (à travers le mur ou le toit).

- La taille du conduit doit être uniforme.

Installations pour régions à climat froid

On doit installer un clapet anti-retour supplémentaire à l'arrière pour minimiser le reflux d'air froid dans le cadre du système de ventilation.

Incorporer un élément d'isolation thermique pour minimiser la conduction de chaleur par l'intermédiaire du conduit d'évacuation, de l'intérieur de la maison à l'extérieur dans le cadre du système de ventilation.

Le clapet anti-retour doit être placé du côté air froid de la résistance thermique.

L'élément d'isolation thermique doit être aussi proche que possible de l'endroit où le circuit d'évacuation s'introduit dans la partie chauffée de la maison.

Air d'appoint

Les codes locaux en bâtiment peuvent imposer l'emploi d'un circuit de renouvellement de l'air/introduction d'air d'appoint, lors de l'utilisation d'un circuit d'aspiration de débit supérieur à une valeur spécifiée en pieds cubes par minute. Le débit spécifié en pieds cubes par minute varie d'une juridiction à l'autre. Consulter un professionnel des installations de chauffage ventilation/climatisation au sujet des

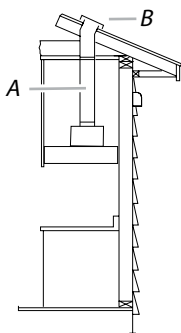
Méthodes d'évacuation

L'ouverture de sortie de la hotte a un diamètre de 10". Dans les installations utilisant le Système moteurs 600 CFM est recommandé d'utiliser un système de ventilation de 6" ou 8". Dans les installations utilisant le Système moteur de 600 CFM doit utiliser un système de ventilation de 10".

Vous pouvez utiliser un plus petit système de refroidissement, mais va générer un niveau de bruit.

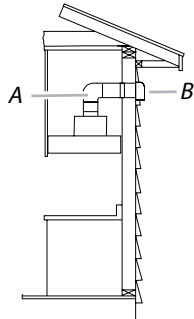
REMARQUE: Évén flexible n'est pas recommandée. Évén flexible crée une contre-pression et l'air turbulences qui réduisent considérablement les performances. Système de ventilation peut résilier ce soit à travers la toit ou le mur. Pour ventilation dans le mur, un coude à 90° est nécessaire.

Décharge à travers le toit

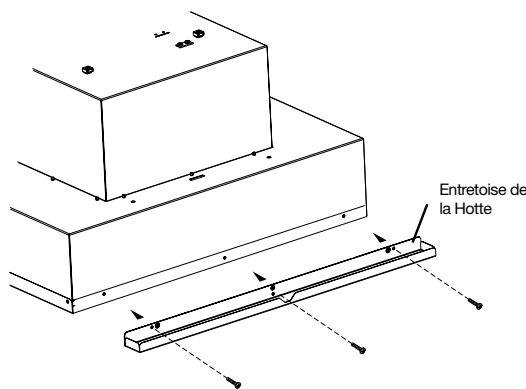


A. Conduit circulaire de 10" (25,4 cm)
B. Bouche de décharge sur toit

Évacuation par le mur



A. Conduit circulaire de 10" (25,4 cm)
B. Bouche de décharge murale



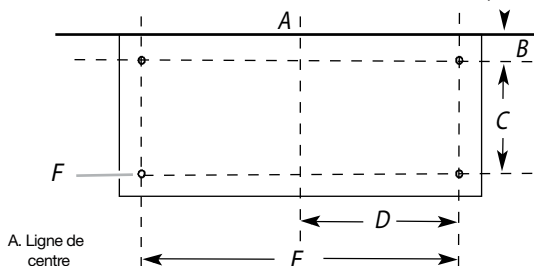
Préparation du support de la caisse de la hotte

La hotte est installée à l'armoire à l'aide de 4 vis de fixation et les rondelles.

Le support de la hotte doit être capable de soutenir une charge de 75 lb (34 kg).

Préparation du support de la caisse de la hotte

1. Marquer sur le support de la hotte l'emplacement des quatre trous de $\frac{1}{8}$ " (3 mm) tel qu'illustré.
2. Percer les 4 trous à l'aide d'un foret de $\frac{1}{8}$ " (3 mm).



Préparation de l'emplacement

1. Déconnecter la source de courant électrique.
2. Déterminer la méthode d'évacuation à utiliser: à travers le toit ou à travers le mur.
3. Sélectionner une surface plane pour l'assemblage de la hotte. Placer le matériau de protection sur cette surface.
 - Il est recommandé d'installer le conduit de décharge avant de procéder à l'installation de la hotte.
 - Avant d'exécuter les découpages, vérifier la disponibilité d'un dégagement suffisant dans le plafond ou le mur pour le conduit d'évacuation.
 - La caisse de la hotte doit être installée à 24" (61 cm) min. des surfaces de cuisson électriques, 30" (76,2 cm) min. des surfaces de cuisson au gaz, et à un maximum suggéré de 36" (91,4 cm) au-de sus de la surface de cuisson.
 - Vérifier que les pièces d'installation ont été retirées du carton d'expédition.
4. À l'aide de deux personnes ou plus, soulever la caisse de la hotte et la poser sur la surface couverte.
5. Ôter les filtres. Voir la section "Entretien de la hotte". Préparation du support de la caisse de la hotte.

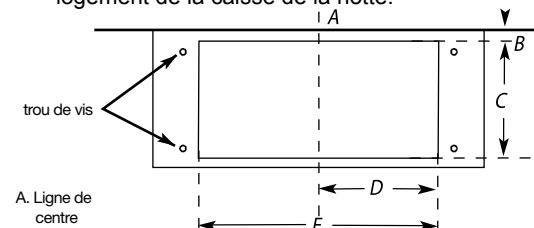
Installation del entretoise de la hotte

Vous pouvez étendre 1.5" largeur de la hotte ($\frac{3}{4}$ " de chaque côté), avec l'installation des entretoises en acier inoxydable inclus dans sa hotte.

1. Décompressez l'entretoise et retirer le protecteur.
2. Installez chaque entretoise gauche et droite
3. Fixez les entretoises à l'aide des 4 vis du 5 x 45 mm.

DIMENSIONS TROU DE MONTAGE					
Hotte de la cuisiniere	DIM B	DIM C	DIM D	DIM E	DIM F
EAR628SS	5½" (14 cm)	11" (28 cm)	12½" (30,9 cm)	24½" (61,8 cm)	Ø1/8" (3mm)
EAR134SS	6" (15,5 cm)	10½" (25,6 cm)	14½" (38 cm)	29½" (75,8 cm)	Ø1/8" (3mm)
EAR140SS	6" (15,5 cm)	10½" (25,6 cm)	14½" (38 cm)	29½" (75,8 cm)	Ø1/8" (3mm)
EAR146SS	6" (15,5 cm)	10½" (25,6 cm)	14½" (38 cm)	29½" (75,8 cm)	Ø1/8" (3mm)

3. Pour le logement de la caisse de la hotte, marquer l'emplacement du trou pour le dégagement de forme rectangulaire dans l'ouverture découpée tel qu'indiqué.
4. À l'aide d'une scie sauteuse ou d'une scie à guichet, découper le trou rectangulaire de dégagement pour le logement de la caisse de la hotte.



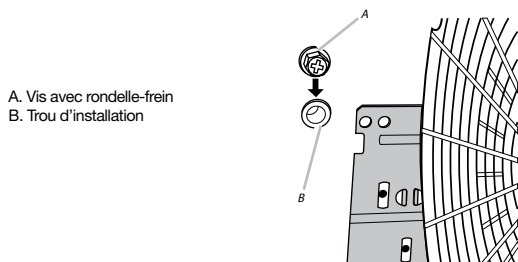
DIMENSIONS DEL CAISSE DE LA HOTTE				
Hotte de la cuisiniere	DIM B	DIM C	DIM D	DIM E
EAR628SS	4½" (12,2 cm)	12½" (32,7 cm)	11¼" (28,57 cm)	22½" (57,15 cm)
EAR134SS	4½" (12,2 cm)	12½" (32,7 cm)	14" (35,56 cm)	28" (71,12 cm)
EAR140SS	4½" (12,2 cm)	12½" (32,7 cm)	14" (35,56 cm)	28" (71,12 cm)
EAR146SS	4½" (12,2 cm)	12½" (32,7 cm)	14" (35,56 cm)	28" (71,12 cm)

Completez la Installation

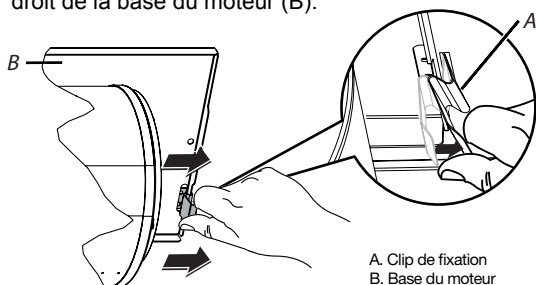
AVERTISSEMENT: Pour le rendre plus facile à monter la hotte sur le support, il est recommandé désinstaller le moteur situé à l'intérieur de la hotte.

Pour désinstaller le moteur simple ou dual

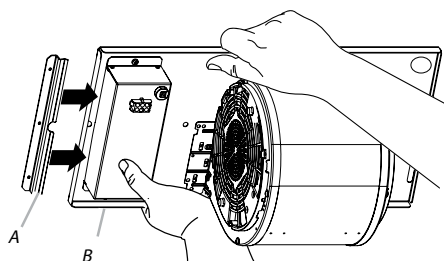
1. Désinstaller les vis de 6 x 16 mm et les rondelles-freins.



2. Appuyez sur le clip de fixation (A) pour libérer le côté droit de la base du moteur (B).



3. Glisser la plaque de montage à la droite pour libérer le moteur.



Installation de la caisse de la hotte

1. Déterminer et marquer sur le mur ou le plafond toutes les lignes de découpage nécessaires pour le passage du circuit d'évacuation. Installer le système d'évacuation avant la hotte. Voir la section "Exigences concernant l'évacuation".
2. Déterminer l'emplacement de passage du câble d'alimentation à travers le mur.
3. Percer un trou de 1 1/4" (3,2 cm) à cet endroit.
4. Tirer suffisamment de câble d'alimentation à travers le mur pour permettre un raccordement facile jusqu'à la boîte de connexion.
5. Installer le raccord de transition (pour conduit carré de 10" (25,4 cm) et conduit rond de 10" [25,4 cm]) avec volet de réglage au sommet de la caisse de la hotte à l'aide quatre vis de 4,2x8mm.
6. Retirer le couvercle du boîtier de connexion et le mettre de côté.
7. Ôter l'opercule arrachable du sommet de la hotte et installer un serre-câble de 1/2" (1,3 cm) (homologation UL ou CSA).
8. Placer la hotte près de sa position de montage et

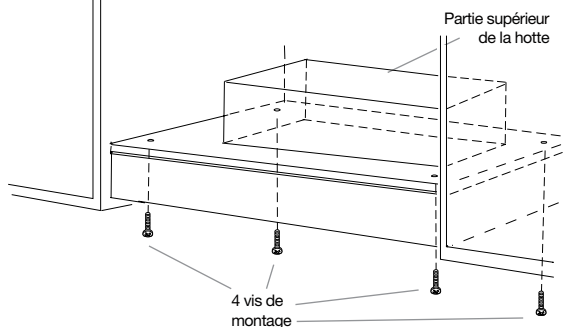
faire passer le câble d'alimentation à travers le serre-câble dans le boîtier de connexion (suffisamment pour établir la connexion).

9. Serrer les vis du serre-câble.

AVERTISSEMENT
Risque du poids excessif.

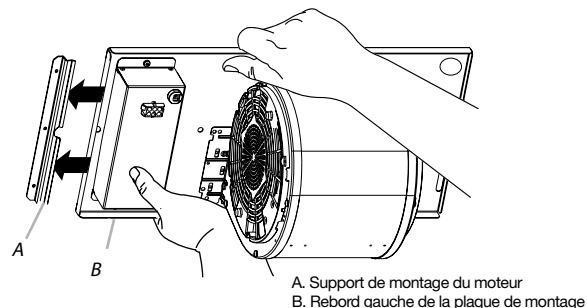
Utiliser deux ou plus de personnes pour déplacer et installer la hotte de la cuisinière.

Le non-respect de cette instruction peut causer une blessure au dos ou d'autre blessure.



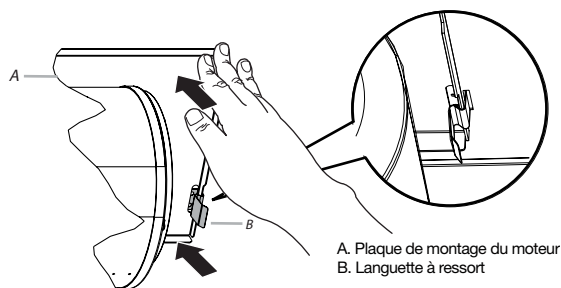
Installation du moteur interne de la caisse de la hotte

1. Pour l'installation du moteur, glisser le rebord gauche de la plaque de montage sous le support de montage du moteur.

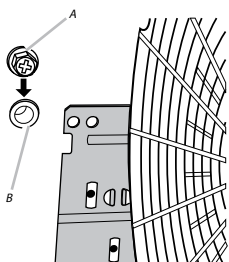


2. Pousser l'extrémité de droite de la plaque de montage du moteur et l'enclencher dans la languette à ressort.

REMARQUE: La languette à ressort doit être à l'extérieur de la fente de la plaque de montage.



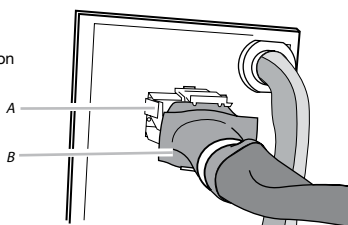
- Faire correspondre les trous de la plaque de montage du moteur avec les écrous à emboîter servant à fixer le moteur et installer les vis de 6 x 16 mm et les rondelles-freins de 6,4 mm.



A. Vis avec rondelle-frein
B. Trou de la plaque de montage du moteur

- Relier le connecteur du cordon d'alimentation de la hotte au connecteur du boîtier de connexion.

A. Connecteur du boîtier de connexion
B. Connecteur du cordon d'alimentation de la hotte



Réalisation des connexions de l'alimentation électrique à la caisse de la hotte



AVERTISSEMENT

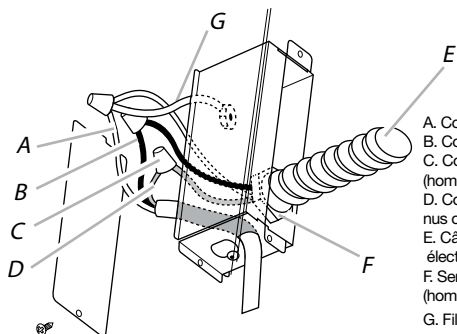
Risque de choc électrique

Déconnecter la source de courant électrique avant l'entretien.

Replacer pièces et panneaux avant de faire la remise en marche.

Le non-respect de ces instructions peut causer un décès ou un choc électrique.

- Déconnecter la source de courant électrique.
- Repérer l'emplacement du boîtier de connexion à l'intérieur de la caisse de la hotte.
- Connecter les conducteurs noirs (B) à l'aide de connecteurs de fils (homologation UL).
- Connecter ensemble les conducteurs blancs (A) à l'aide de connecteurs de fils (homologation UL).



A. Conducteurs blancs
B. Conducteurs noirs
C. Connecteurs de fils (homologation UL)
D. Conducteurs verts, nus ou jaune/vert
E. Câble d'alimentation électrique du domicile
F. Serre-câble 1/2" (1,3 cm) (homologation UL ou CSA)
G. Fil de terre onglet



AVERTISSEMENT

Risque de choc électrique

Relier le ventilateur à la terre.

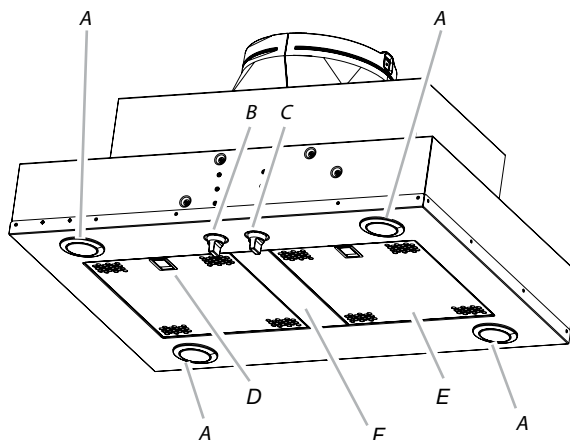
Brancher le fil relié à la terre au fil vert et jaune relié à la terre dans la boîte de la borne.

Le non-respect de ces instructions peut causer un décès ou un choc électrique.

- Connecter le conducteur vert (ou nu) de mise à la terre du câble d'alimentation du domicile au conducteur vert jaune (D) de liaison à la terre dans le boîtier de connexion à l'aide de connecteurs de fils (homologation UL).
- Installer le couvercle du boîtier de connexion.
- Vérifier que toutes les ampoules d'éclairage sont bien fixées dans leur douille.
- Reconnecter la source de courant électrique.

Achever l'installation et vérifier le fonctionnement

- Installer les filtres à graisse. Voir la section "Entretien de la hotte".
- Contrôler le fonctionnement du ventilateur de la hotte et des lampes. Voir la section "Utilisation de la hotte".



A. Lampes à halogène
B. Commutateur de lampe à halogène
C. Commutateurs de commande du ventilateur
D. Poignée du filtre à graisse
E. Filtre à graisse
F. Entretoise filtre (seulement modèle EAR628SS)

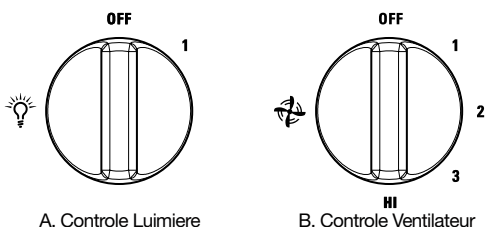
- Si la hotte ne fonctionne pas, vérifier que le coupe-circuit ne s'est pas déclenché et qu'aucun fusible n'est grillé.
- Déconnecter la source de courant électrique du circuit et vérifier que le câblage est correct.

REMARQUE: Pour pouvoir tirer le plus grand parti de la nouvelle caisse de la hotte, lire la section "Utilisation de la hotte".

Utilisation de la Hotte

Utiliser la puissance d'aspiration maximum en cas de concentration très importante des vapeurs de cuisson. Nous conseillons d'allumer le dispositif d'aspiration 5 minutes avant de commencer la cuisson et de le faire fonctionner encore pendant 15 minutes environ après avoir terminé la cuisson.

Les commandes de la hotte se trouvent sur la face inférieure de l'insert hotte-



Contrôle lumière

Mettre le contrôle lumière de OFF à HI pour une lumière plus forte lors de la cuisson.

Contrôle ventilateur

Mettre la vitesse du ventilateur de OFF à HI si nécessaire.

Nettoyage

IMPORTANT: Nettoyer fréquemment la hotte et les filtres à graisse en suivant les instructions suivantes. Réinstaller les filtres à graisse avant de faire fonctionner la hotte.

Surfaces externes:

Afin d'éviter d'endommager la surface externe, ne pas utiliser de tampons en laine d'acier ou de tampons à récurer savonneux. Toujours essuyer pour éviter de laisser des marques d'eau.

Méthode de nettoyage :

- Savon détergent liquide et eau, ou produit de nettoyage polyvalent.
- Frotter avec un chiffon doux humide ou une éponge non abrasive, puis rincer avec de l'eau propre et essuyer.

Filtre à graisse métallique :

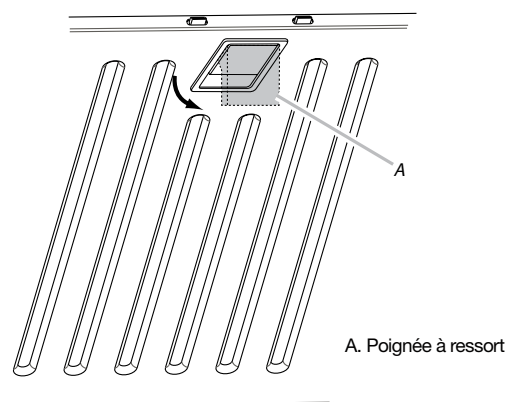
Les filtres doivent être lavés fréquemment. Placer les filtres métalliques dans un lave-vaisselle ou une solution de détergent chaude.

Laisser sécher le filtre complètement avant de le réinstaller. Éteindre le ventilateur et les lampes. Laisser refroidir la lampe à halogène.

1. Retirer chaque filtre en tirant sur la poignée à ressort, puis en tirant le filtre vers le bas.
2. Laver les filtres métalliques selon le besoin au lave-vaisselle ou avec une solution de détergent chaude.
3. Réinstaller le filtre en s'assurant que les poignées à ressort sont orientées vers l'avant. Insérer le filtre à graisse métallique dans la rainure supérieure.
4. Tirer vers le bas la poignée à ressort.
5. Pousser le filtre métallique vers le haut et relâcher la

poignée pour l'emboîter.

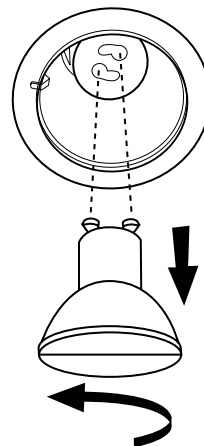
6. Répéter les étapes 1 à 5 pour l'autre filtre.



Remplacement d'une lampe à halogène

Interrompre l'alimentation de la hotte; attendre le refroidissement de la lampe à halogène. Pour éviter d'endommager ou de réduire la longévité de l'ampoule neuve, ne pas toucher l'ampoule avec les doigts nus. Remplacer la lampe en la manipulant avec un mouchoir de papier ou des gants de coton. Si les nouvelles lampes ne fonctionnent pas, vérifier que chaque lampe est correctement insérée dans sa douille avant de demander l'intervention d'un réparateur.

1. Déconnecter la source de courant électrique.
2. Pousser la plaque de verre vers le haut et la tourner dans le sens antihoraire.
3. Retirer la lampe et la remplacer par une lampe halogène de 120 volts, 50 watts maximum, avec culot GU10. La tourner dans le sens horaire pour l'emboîter.
4. Répéter les étapes 2 et 3 pour l'autre lampe, si nécessaire.
5. Reconnecter la source de courant électrique.



Garantie

GARANTIE DE DEUX ANS

ELICA North America

POUR OBTENIR UN DEPANNAGE SOUS GARANTIE

Le propriétaire doit présenter une preuve de la date d'achat. Garder une copie de votre preuve d'achat datée (ticket de caisse) de façon à pouvoir bénéficier du service après-vente sous garantie.

GARANTIE PIÈCES DE RECHANGE ET MAIN D'OEUVRE

Pendant une période de deux (2) ans à partir de la date d'achat, Elica s'engage à fournir gratuitement les pièces de rechange ou les composants autres que les recharges ayant des défauts de fabrication.

Durant cette garantie de deux (2) ans, Elica fournira également gratuitement, toute la main d'oeuvre et le service à domicile pour remplacer d'éventuelles pièces défectueuses.

CE QUE LA GARANTIE NE COUVRE PAS

- Dégât ou panne du produit causé par un accident ou un cas de force majeure tels que inondation, incendie ou tremblement de terre.
- Dégât ou panne du produit causé par modification du produit ou utilisation de pièces pas d'origine.
- Dégât ou panne du produit causé lors de la livraison, de la manipulation ou de l'installation.
- Dégât ou panne du produit causé par une mauvaise utilisation.
- Dégât ou panne du produit causé par un remplacement des fusibles ou une remise en fonction des disjoncteurs par le propriétaire.
- Dégât ou panne du produit causé par une utilisation du produit pour raison commerciale.
- Déplacement à domicile pour explication d'utilisation ou d'entretien.
- Ampoules, filtres métalliques ou au charbon et toute autre pièce consommable.
- Usure normale.
- Usure due à une mauvaise utilisation du propriétaire, un entretien incorrect, une utilisation de substances nettoyantes corrosives ou abrasives et produits de nettoyage pour four.

QUI EST COUVERT

Cette garantie s'étend à l'acheteur original de produits achetés pour un usage domestique habituel en Amérique du Nord (Y compris Etats Unis, Guam, Porto Rico, les Iles virgins Américaines & le Canada).

Cette garantie n'est pas transférable et vaut uniquement pour l'acheteur original et ne s'étend pas aux propriétaires successifs du produit. Cette garantie vaut expressément en lieu et place de toute autre garantie, expresse ou sous-entendue, mais ne limite pas toute autre garantie sous-entendue de marchandage ou adaptation dans un but particulier et toute autre obligation de la part de Elica North America, étant entendu, cependant, que si la réclamation pour garanties sous-entendues n'est pas applicable aux yeux de la loi en vigueur, la durée de toute garantie sous-entendue émanant de la loi doit être limitée à deux (2) ans à partir de la date d'achat du produit ou à une période plus longue selon ce que dit la loi en vigueur.

Cette garantie ne couvre pas tout dégât particulier, accidentel et/ou consécutif, ni les pertes et profits, à charge du propriétaire, des ses clients et/ou des utilisateurs Des produits.

QUI CONTACTER

Pour obtenir un Service Après-vente durant la Garantie ou pour toute autre Question liée au Service Après-vente

Appeler:

- Service Après-vente autorisé Elica North America au (888) 732-8018

Ou écrire à:

- Elica North America, A l'Attention du Service Client, 222 Merchandise Mart Plaza Suite 947, Chicago, IL 60654 USA
infoamericas@elica.com

Español

Contenido

Aviso de seguridad importante	23
Requisitos eléctricos y de instalación	24
Requisitos eléctricos.....	24
Antes de instalar la campana.....	24
Lista de materiales	25
Piezas suministradas.....	25
Piezas no suministradas.....	25
Requisitos de instalación	25
Dimensiones	25
Dimensiones del producto	26
Requisitos de ventilación	26
Métodos de ventilación	27
Prepare la Ubicación.....	27
Complete la Instalación.....	28
Para desinstalar el motor Doble o Sencillo.....	28
Instale la campana en el gabinete.....	28
Para instalar el motor Doble o Sencillo.....	28
Haga la conexión eléctrica de la toma de corriente a la campana.....	29
Complete la instalación y verifique el funcionamiento	29
Uso de la campana	30
Limpieza.....	30
Filtro metálico de grasa	30
Como reemplazar la lámpara de Halógeno.....	30
Garantía	31

**APROBADO PARA APARATOS DE USO DOMÉSTICO
SÓLO PARA USO DOMÉSTICO
LEA Y GUARDE ESTAS INSTRUCCIONES**

ANTES DE CONTINUAR, LEA LAS INSTRUCCIONES POR COMPLETO.

LA INSTALACIÓN DEBE CUMPLIR TODA LA NORMATIVA LOCAL.

IMPORTANTE: guarde estas instrucciones para su uso por parte del inspector de electricidad local.

INSTALADOR: entregue al propietario estas instrucciones junto con la unidad.

PROPIETARIO: conserve estas instrucciones para futuras consultas.

Advertencia de seguridad: antes de realizar el cableado de este aparato, desactive el circuito de energía eléctrica en el panel de servicio y desbloquee el panel.

Requisito: Circuito auxiliar de CA de 120 V, 60 Hz, 15 ó 20 A

LEA Y GUARDE ESTAS INSTRUCCIONES

Aviso de seguridad importante

PRECAUCIÓN

SÓLO PARA USO DE VENTILACIÓN GENERAL. NO UTILIZAR PARA EXPULSAR VAPORES O MATERIALES PELIGROSOS O EXPLOSIVOS.

ADVERTENCIA

PARA REDUCIR EL RIESGO DE FUEGO, DESCARGA ELÉCTRICA O LESIONES PERSONALES, RESPETE LO SIGUIENTE:

- A. Utilice esta unidad solamente en el modo que indica el fabricante. En caso de duda, póngase en contacto con el fabricante.
- B. Antes de reparar o limpiar la unidad, desconecte la alimentación en el panel de servicio y bloquee los medios de desconexión del panel de servicio para evitar la conexión accidental de la alimentación. Si no es posible bloquear los medios de desconexión del panel de servicio, coloque un dispositivo de advertencia que destaque como, por ejemplo, una etiqueta, en el panel de servicio.
- C. La instalación y el cableado eléctrico deben realizarlos personas calificadas de acuerdo con las normativas y los estándares aplicables, incluida la construcción ignífuga.
- D. Es necesaria una ventilación suficiente para la correcta combustión y expulsión de gases por la salida de humos (Chimenea) del equipo de combustión de carburante para evitar el contratiro. Siga las directrices de fabricantes de equipos de calefacción y los estándares de seguridad como los publicados por la National Fire Protection Association (NFPA), American Society for Heating, Refrigeration and Air Conditioning Engineers (ASHRAE) y las normativas locales.
- E. Al efectuar orificios en una pared o techo, no dañe el cableado eléctrico y otras instalaciones ocultas.
- F. Los sistemas instalados mediante conducto deben tener ventilación con salida al exterior.

PRECAUCIÓN

Para reducir el riesgo de fuego y conseguir una salida del aire correcta, asegúrese de conducir el aire hacia el exterior. No permita que el aire se expulse en espacios situados en el interior de muros, techos, desvanes, sótanos de pequeña altura o garajes.

ADVERTENCIA

PARA REDUCIR EL RIESGO DE FUEGO, UTILICE SOLAMENTE TUBOS METÁLICOS.

Instale esta campana de acuerdo con los requisitos especificados.

ADVERTENCIA

Para reducir el riesgo de fuego o descarga eléctrica, no utilice esta campana con ningún dispositivo externo en estado sólido para el control de la velocidad.

ADVERTENCIA

PARA REDUCIR EL RIESGO DE INCENDIO OCASIONADO POR GRASA:

- a) No deje nunca ninguna unidad externa desatendida y con valores de fuego altos. La cocción puede causar humo o reboses de grasa que pueden prender fuego. Caliente el aceite a fuego lento o medio.
- b) Encienda siempre la campana cuando cocine a una temperatura alta o cuando realice flameados (Por ejemplo, crepes Suzette, cerezas flameadas, ternera a la pimienta flameada).
- c) Limpie con frecuencia los ventiladores. No permita que la grasa se acumule en el ventilador o filtro.
- d) Utilice un tamaño de sartén adecuado. Utilice siempre piezas de batería de cocina adecuadas al tamaño del elemento de superficie.

ADVERTENCIA

PARA REDUCIR EL RIESGO DE LESIONES PERSONALES, EN CASO DE FUEGO OCASIONADO POR GRASA, TENGA EN CUENTA LO SIGUIENTE^a:

- a) **EXTINGA LAS LLAMAS** con una tapa ajustada, una lámina para hacer galletas u otro tipo de bandeja metálica y apague el quemador de gas o elemento eléctrico. **TENGA CUIDADO PARA EVITAR QUEMADURAS.** Si las llamas no se extinguen inmediatamente, **DESALOJE EL LUGAR Y LLAME A LOS BOMBEROS.**
- b) **NUNCA TOME UNA SARTÉN EN LLAMAS**, podría sufrir quemaduras.
- c) **NO UTILICE AGUA**, incluidas bayetas o toallas húmedas ya que se produciría una violenta explosión de vapor.
- d) Utilice un extintor **SÓLO** si:
 - 1) Sabe que dispone de un extintor de la clase ABC y conoce su funcionamiento.
 - 2) El fuego es pequeño y se encuentra en la misma zona donde se inició.
 - 3) Ha llamado a los bomberos.
 - 4) Puede luchar contra el fuego teniendo una salida a su espalda.

^aBasado en "Consejos de seguridad para fuegos de cocina", publicado por el NFPA (Asociación nacional de protección contra incendios).

FUNCIONAMIENTO

- a. Coloque siempre las rejillas y los filtros de seguridad en su lugar correspondiente. Sin estos componentes, los ventiladores en funcionamiento podrían atrapar su pelo, sus dedos o su ropa.

El fabricante declina toda responsabilidad en caso de fallo de cumplimiento de las instrucciones aquí facilitadas para la instalación, el mantenimiento y el uso adecuado del producto. El fabricante declina además toda responsabilidad por daños ocasionados por negligencia y la garantía de la unidad queda cancelada automáticamente como consecuencia de un mantenimiento incorrecto.

Requisitos eléctricos y de instalación

Requisitos eléctricos

IMPORTANTE

Cumpla todas las normativas y ordenanzas gubernamentales.

Es responsabilidad del cliente:

Ponerse en contacto con un instalador eléctrico calificado.

Asegurarse de que la instalación eléctrica es adecuada y en conformidad con National Electrical Code, ANSI/NFPA 70 (última edición*) o CSA Standards C22.1-94, Canadian Electrical Code, Parte 1 y C22.2 No.0-M91 (última edición*) y toda la normativa y las ordenanzas locales.

Si la normativa lo permite y se utiliza un cable de toma a tierra independiente, se recomienda que un electricista calificado determine si la difracción de onda de tierra es la adecuada.

No ubique la toma a tierra en una tubería de gas.

Si no está seguro de que la campana está correctamente conectada a tierra, consulte a un electricista calificado.

No coloque ningún fusible en el circuito neutral o con vuelta por tierra.

IMPORTANTE

Guarde las instrucciones de instalación para su uso por parte del inspector de electricidad.

La campana debe estar conectada únicamente con hilo de cobre.

La campana debe estar conectada directamente al desconectador con fusible (O disyuntor) mediante canal metálico de cables eléctricos.

Los tamaños de cable deben cumplir los requisitos de la National Electrical Code, ANSI/NFPA 70 (última edición*) o CSA Standards C22.1-94, Canadian Electrical Code, Parte 1 y C22.2 No.0-M91 (última edición*) y toda la normativa y las ordenanzas locales.

Es preciso colocar un conector de canal de cables enumerado en U.L. o C.S.A. en cada extremo del canal de cables de fuente de alimentación (En la campana y en la caja de conexiones).

Se pueden obtener copias de los estándares enumerados en:

* National Fire Protection Association Batterymarch Park Quincy, Massachusetts 02269

** CSA International 8501 East Pleasant Valley Road Cleveland, Ohio 44131-5575

Antes de instalar la campana

1. Para obtener una circulación del flujo de aire más eficaz, utilice un tubo de tramo recto o el menor número posible de tubos acodados.

PRECAUCIÓN: el conducto de ventilación solamente debe tener salida hacia la parte exterior del edificio.

2. Para realizar la instalación, se necesitan al menos dos personas.

3. La campana se ajusta mediante tornillos y anclajes de tabique aislante adecuados para la mayoría de superficies; consulte a un instalador calificado para comprobar si quedan perfectamente ajustados al armario o a la pared.

4. No emplee tubos flexibles.

5. Las instalaciones en **CONDICIONES CLIMÁTICAS FRÍAS** deben tener instalado un regulador de contratiro adicional para minimizar el flujo de aire inverso y una rotura térmica no metálica para minimizar la conducción de temperaturas externas como parte de los tubos. El regulador debe encontrarse en la parte de aire frío de la rotura térmica.

La rotura debe estar lo más cerca posible al lugar donde los tubos entran en la parte caliente de la casa.

6. Aire limpio: Las normativas locales para edificios pueden requerir el uso de sistemas de aire limpio cuando se utilizan sistemas de ventilación mediante tubos superiores al CFM especificado de movimiento de aire. El CFM especificado varía de una zona a otra. Para conocer los requisitos específicos de su zona, consulte a un profesional de HVAC.

NOTA:

Use el modelo de campana EAR628SS (motor sencillo=600CFM) SOLO sobre una superficie de cocinado con un máximo de 65,000 Btus.

Use los modelos de campana EAR134SS, EAR140SS & EAR146SS (Doble motor=1200CFM) sobre una superficie de cocinado con más de 65,000 Btus.

Lista de Materiales

Partes Suministradas

PRECAUCIÓN!

Retire del empaque cuidadosamente, utilice guantes para protegerse de los filos cortantes.

ADVERTENCIA!

Remueva la película protectora que cubre al producto antes de ponerlo en funcionamiento.

- Filtros metálicos de grasa:
 - Modelo EAR628SS: 2 filtros
 - Modelo EAR134SS: 2 filtros
 - Modelo EAR140SS: 3 filtros
 - Modelo EAR146SS: 4 filtros
- 1 - Transición cuadrada de 10" (25.4cm) a redonda de 10" (25.4cm) con válvula antiretorno
- 2 - Distanciales de acero inoxidable de 1½" x 22"
- 4 - Tornillos de montaje de 5 x 45 mm
- 10 - Tornillos de montaje de 4.2 x 8 mm
- 2 - Tornillos de instalación para spacer de 18mm (solo para modelo EAR628SS)

Partes no suministradas

Accesorios Opcionales

- Cable de alimentación
- 1 - ½" (1.3 cm) retén de cable aprobado por UL y CSA
- 3 - Conectores de cable aprobados por UL
- 1 - Casquete de salida de aire para techo o pared
- Sistema de ventilación metálico

Herramientas/Materiales requeridos

- Nivel
- Taladro
- Broca 1¼" (3 cm)
- Broca 1⅛" (3 mm)
- Lápiz
- Pela cables o navaja
- Cinta métrica o regla
- Pinzas
- Pistola de silicón y silicón a prueba de agua
- Abrazaderas de tubo de ventilación
- Sierra o sierra caladora
- Destornillador plano
- Tijeras p/metal
- Destornillador Phillips

Requisitos de Instalación

IMPORTANTE: Observe todos los códigos y reglamentos aplicables. Deje que un técnico calificado instale la campana. Es responsabilidad del instalador cumplir con las especificaciones de instalación que vienen en la etiqueta de modelo y número serial. La etiqueta de modelo/número serial está localizada detrás del filtro izquierdo en la pared posterior de la campana.

La campana debe estar ubicada lejos de áreas con fuertes corrientes de aire como ventanas, puertas y ductos de ventilación. Deben ser usadas las dimensiones de la abertura del gabinete que se proveen. Dichas dimensiones proveen de los mínimos espacios. La campana debe estar rodeada por un mueble hecho a medida, con un espacio destinado a la campana capaz de soportar 75 lb (34 kg).

Una toma de tierra eléctrica es requerida. Vea la sección "Requisitos eléctricos". Todas las aberturas en el techo y pared donde se ponga en contacto la campana deben de ser selladas.

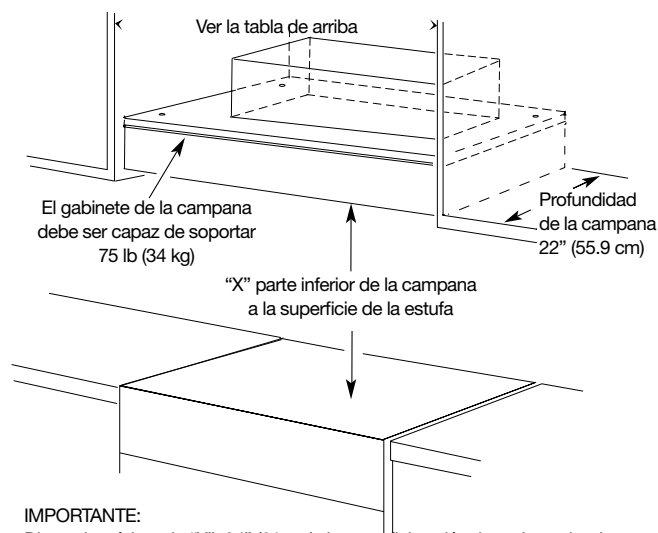
Instalación para casas móviles

La instalación de esta campana debe hacerse conforme a los Estándares de Seguridad de la Construcción del Hogar, Título 24 CFR, Parte 328 (antes el Standard Federal para la Construcción y Seguridad de Casas Móviles) o cuando el standard no sea aplicable al Standard para la Instalación de Casas Manufacturadas 1982 (Casas, manufacturación de casas e Instalación) ANSI A225.1/NFPA 501A, o última edición, o códigos locales.

Dimensiones

Esta campana tiene la flexibilidad de ser instalada de dos maneras distintas, dependiendo de la medida de largo de la campana o del área disponible entre los gabinetes izquierdo y derecho. Antes de iniciar, deberá determinar las dimensiones de esa área y considerar las medidas de la tabla de abajo.

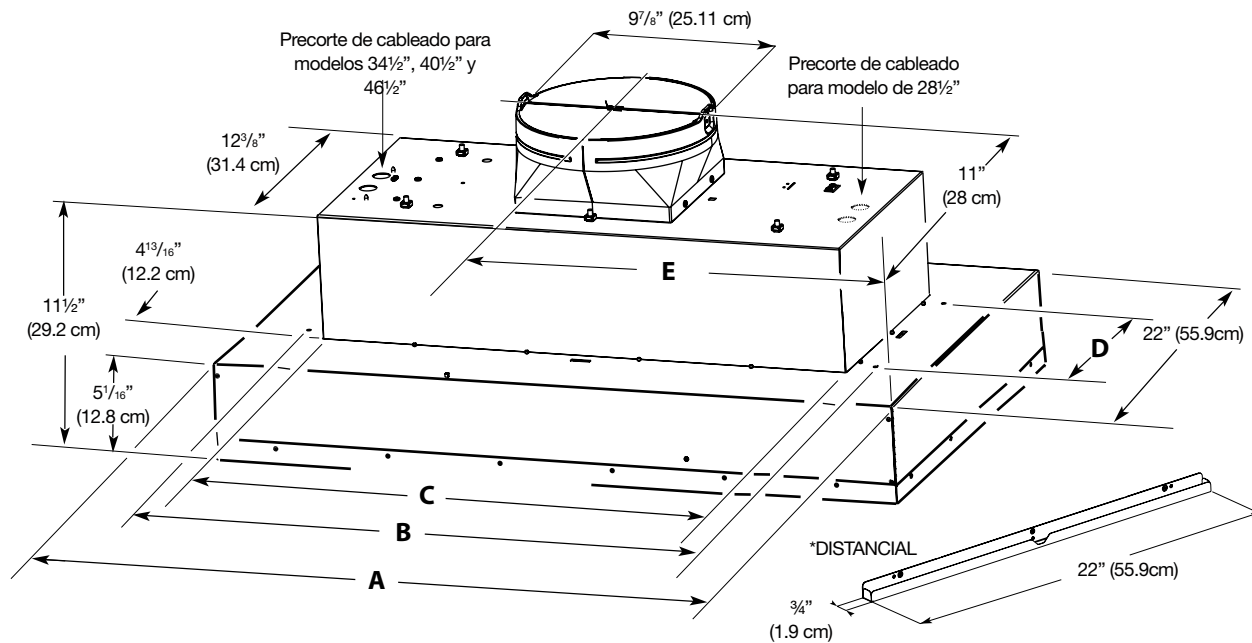
Modelos de campana	Longitud de la campana sin spacers	Longitud de la campana con spacers
EAR628SS	28½" (72 cm)	30" (76.2 cm)
EAR134SS	34½" (87 cm)	36" (91.44 cm)
EAR140SS	40½" (102 cm)	42" (106.68 cm)
EAR146SS	46½" (117.5 cm)	48" (121.92 cm)



IMPORTANTE:

Distancia mínima de "X": 24" (61 cm) de superficies eléctricas de cocinado.
 Distancia mínima de "X": 30" (76.2 cm) de superficies de cocinado de gas.
 Distancia máxima sugerida "X": 36" (91.4 cm).

Dimensiones del Producto



DIMENSIONES						
Mod. campana	DIM A	DIM A + spacers	DIM B	DIM C barrenos montaje	DIM D barrenos montaje	DIM E
EAR628SS	28½" (72 cm)	30" (76.2 cm)	24 ⁵ / ₁₆ " (61.8 cm)	22" (56 cm)	11" (28 cm)	14" (36 cm)
EAR134SS	34½" (87 cm)	36" (91.44 cm)	29 ¹³ / ₁₆ " (75.76 cm)	27½" (70 cm)	10 ¹ / ₁₆ " (25.6 cm)	17" (43.6 cm)
EAR140SS	40½" (102 cm)	42" (106.68 cm)	29 ¹³ / ₁₆ " (75.76 cm)	27½" (70 cm)	10 ¹ / ₁₆ " (25.6 cm)	20" (51.2 cm)
EAR146SS	46½" (117.5 cm)	48" (121.92 cm)	29 ¹³ / ₁₆ " (75.76 cm)	27½" (70 cm)	10 ¹ / ₁₆ " (25.6 cm)	23" (58.8 cm)

Requisitos de Ventilación

- El sistema de ventilación debe dar al exterior.
- No terminar el sistema de ventilación en el ático u otra área cerrada.
- No utilice casquetes de lavandería de 4" (10.2 cm)
- Utilice únicamente tubos de ventilación de metal. El metal rígido es recomendado. No se recomienda el uso de tubos de plástico ni papel aluminio.
- La longitud del sistema de ventilación y el número de codos empleados deberá mantenerse al mínimo para ofrecer un desempeño eficiente.

Para un funcionamiento más eficiente y silencioso:

- No use más de 3 codos de 90°.
- Asegúrese de que exista un mínimo de 24" (61.0 cm) de tubo recto entre los codos si más de un codo es utilizado.
- No instale 2 codos juntos.
- Use abrazaderas para sellar todas las uniones en el sistema de ventilación y utilice cinta para sellar completamente las conexiones.
- Use silicón para sellar la pared exterior o la abertura del techo alrededor del casquete.
- El diámetro del tubo debe ser uniforme.

Para instalaciones en climas Fríos

Una válvula de no retorno adicional debe ser instalada para reducir el flujo de aire frío al igual que un break térmico, para reducir la conducción de la temperaturas exteriores al interior del sistema de ventilación.

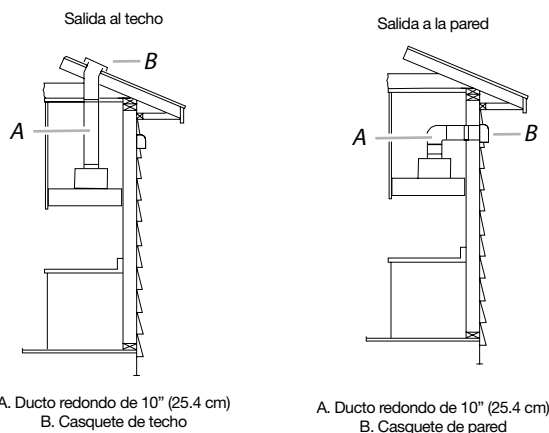
La válvula deberá estar en el lado del aire frío del break térmico.

Reguladores de aire

Los códigos de construcción local sugieren el uso de sistemas reguladores de aire cuando se usen sistemas de ventilación mayores a la CFM especificada o al movimiento del aire. El CFM especificado varía dependiendo del área. Consulte a su técnico en ventilación para conocer los requerimientos de su área.

Metodos de Ventilación

- La apertura de salida de la campana tiene un diámetro de 10".
 - En instalaciones que utilicen Sistema de Motor de 600 CFM se recomienda utilizar un sistema de ventilación de 6" o 8".
 - En instalaciones que utilicen Sistema de Motor de 1200 CFM debe utilizarse un sistema de ventilación de 10".
 - Puede utilizar un sistema de ventilación más pequeño, pero generará un nivel más elevado de sonido.
- NOTA: El tubo flexible no es recomendado. Este crea presión en la parte trasera y turbulencia de aire que reduce considerablemente el performance. El sistema de ventilación puede terminar en la pared o el techo. Para la salida por la pared, se necesita un codo de 90°.



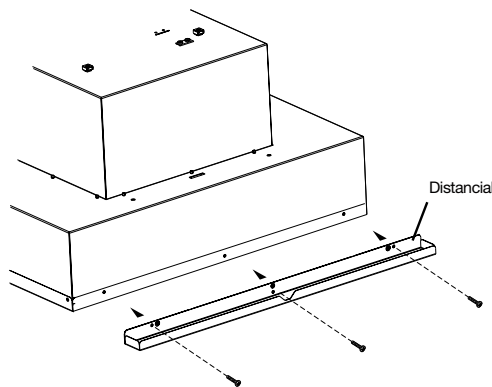
Prepare la Ubicación

- Se recomienda que el sistema de ventilación sea instalado antes que la campana.
 - Antes de hacer los cortes, asegúrese de que se cuenta con los espacios apropiados con respecto al techo o muro para la salida de aire.
 - La campana debe ser instalada a 24" (61.0 cm) de distancia mínima de la superficie de la estufa eléctrica, y 30" (76.2 cm) mínimo para superficie de estufa de gas, hasta un máximo sugerido de 36" (91.4 cm) encima de la superficie de cocinado.
 - Verifique que todas las partes de instalación hayan sido removidas de la caja.
1. Desconecte la corriente de energía.
 2. Decida que sistema de ventilación utilizará: salida al techo o a la pared.
 3. Utilice un área plana para ensamblar su campana y cúbrala.
 4. Con la ayuda de 2 personas o más, coloque la campana sobre el área cubierta.
 5. Remueva los filtros. Vea la sección de Limpieza.

Instalación del Distancial de acero inoxidable

Puede alargar 1.5" del ancho de su campana ($\frac{3}{4}$ " por lado), instalando los distanciales de acero inoxidable incluidos con su campana.

1. Desempaque los distanciales y retire el protectivo.
2. Coloque cada uno del lado derecho e izquierdo de su campana, alineándolo a las perforaciones de instalación.
3. Asegure el distancial a la campana con los tornillos de 5 x 45 mm.

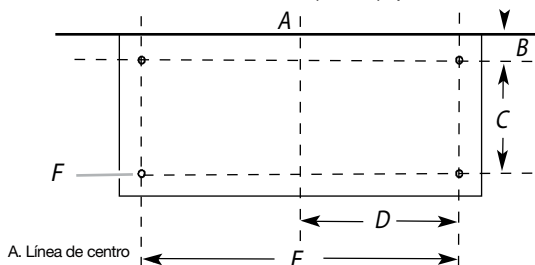


Prepare el gabinete para la instalación

La campana se instala al gabinete usando cuatro tornillos y rondanas de montaje.
NOTA: El gabinete debe ser capaz de soportar 75 lb (34 kg).

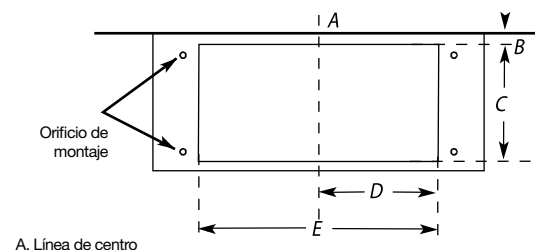
Prepare la campana para su montaje dentro del gabinete

1. Marque la ubicación de los cuatro tornillos en el gabinete como se muestra en la figura de abajo.
2. Usando una broca de $\frac{1}{8}$ " (3 mm), perforo los 4 orificios.



DIMENSION DE LAS PERFORACIONES DE INSTALACIÓN					
Campana	DIM B	DIM C	DIM D	DIM E	DIM F
EAR628SS	5 $\frac{1}{2}$ " (14 cm)	11" (28 cm)	12 $\frac{1}{2}$ " (30.9 cm)	24 $\frac{1}{2}$ " (61.8 cm)	Ø1/8" (3mm)
EAR134SS	6" (15.5 cm)	10 $\frac{1}{2}$ " (25.6 cm)	14 $\frac{1}{2}$ " (38 cm)	29 $\frac{1}{2}$ " (75.8 cm)	Ø1/8" (3mm)
EAR140SS	6" (15.5 cm)	10 $\frac{1}{2}$ " (25.6 cm)	14 $\frac{1}{2}$ " (38 cm)	29 $\frac{1}{2}$ " (75.8 cm)	Ø1/8" (3mm)
EAR146SS	6" (15.5 cm)	10 $\frac{1}{2}$ " (25.6 cm)	14 $\frac{1}{2}$ " (38 cm)	29 $\frac{1}{2}$ " (75.8 cm)	Ø1/8" (3mm)

3. Marque las líneas de corte para el orificio rectangular de la parte superior de la campana como se muestra.
4. Usando una sierra o sierra caladora, corte el orificio rectangular destinado a la parte superior de la campana.



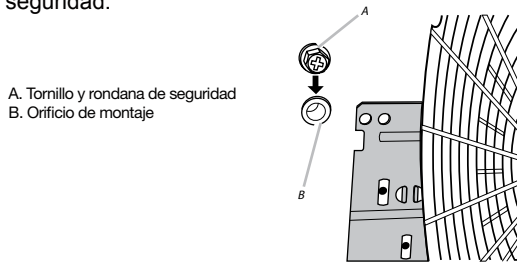
DIMENSIONES PARTE SUPERIOR DE LA CAMPANA				
Campana	DIM B	DIM C	DIM D	DIM E
EAR628SS	4 $\frac{13}{16}$ " (12.2 cm)	12 $\frac{1}{8}$ " (32.7 cm)	11 $\frac{1}{4}$ " (28.57 cm)	22 $\frac{1}{2}$ " (57.15 cm)
EAR134SS	4 $\frac{13}{16}$ " (12.2 cm)	12 $\frac{1}{8}$ " (32.7 cm)	14" (35.56 cm)	28" (71.12 cm)
EAR140SS	4 $\frac{13}{16}$ " (12.2 cm)	12 $\frac{1}{8}$ " (32.7 cm)	14" (35.56 cm)	28" (71.12 cm)
EAR146SS	4 $\frac{13}{16}$ " (12.2 cm)	12 $\frac{1}{8}$ " (32.7 cm)	14" (35.56 cm)	28" (71.12 cm)

Complete la Instalación

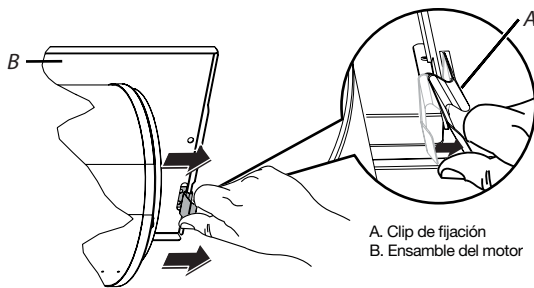
NOTA: Para facilitar el montaje de la campana en el gabinete, se recomienda desinstalar el motor ubicado dentro de la campana.

Para desinstalar el motor Doble o Sencillo

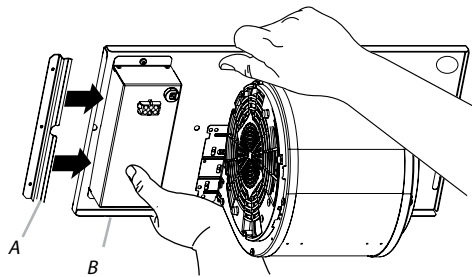
1. Remueva los tornillos de 6 x 16 mm y las rondanas de seguridad.



2. Presione el clip de fijación (A) para liberar la parte derecha del ensamble del motor.



3. Deslice el ensamble del motor hacia la derecha para liberarlo, y colóquelo a un lado.



Instale la campana en el gabinete

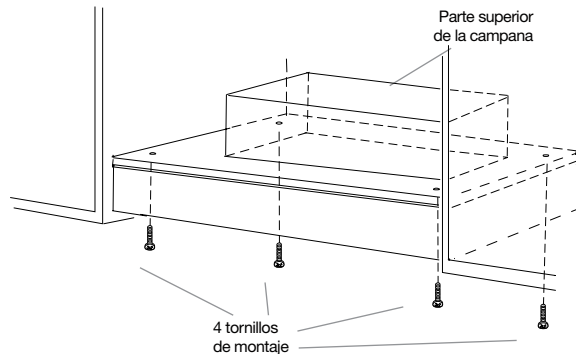
1. Ubique y haga todos los cortes necesarios para el sistema de ventilación en la pared o el techo. Instale los ductos antes de montar la campana. Vea la sección "Requisitos de Ventilación" en la página 26.
2. Ubique el punto en la pared por donde el cable de alimentación pasará.
3. Haga un orificio de 1 1/4" (3.2 cm) en ese lugar.
4. Haga pasar por la pared el suficiente cable para que permita la fácil conexión a la caja eléctrica.
5. Remueva la cubierta de la caja eléctrica y pongala a un lado.
6. Remueva el precorte de la parte superior de la campana e instale un retén de cable aprobado por UL y CSA de 1/2" (1.3 cm).
7. Coloque la campana en su posición de montaje y corra el cable de alimentación hacia el interior de la campana (el suficiente para hacer la conexión).
8. Asegure los tornillos del reten.
9. Con la ayuda de 2 o más personas, levante la campana hasta el gabinete.

10. Asegure la campana al gabinete utilizando 4 tornillos de 5 x 45 mm.

⚠️ ADVERTENCIA

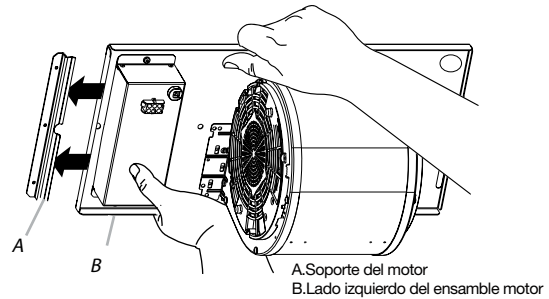
Riesgo de peso excesivo.

Utilice la ayuda de 2 o más personas para mover o instalar la campana de lo contrario puede resultar en lesiones en espalda u otros daños.



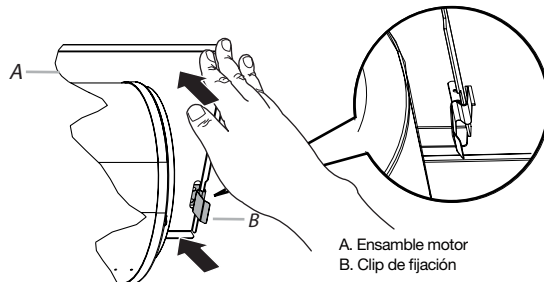
Para instalar el motor Doble o Sencillo

1. Para instalar el ensamble del motor, deslice el lado izquierdo del motor debajo del soporte de montaje.

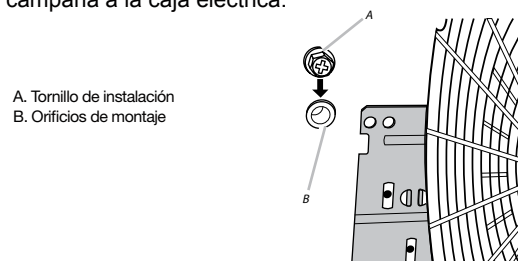


2. Empuje hacia arriba el lado derecho del ensamble motor hasta atornillarlo en el clip de fijación.

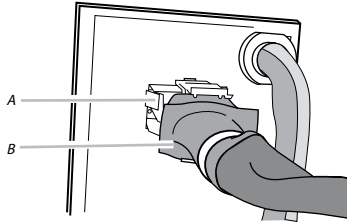
NOTA: La lengüeta del clip de fijación debe quedar por fuera del ensamble motor.



3. Alinee los orificios de montaje e instale con los tornillos de 6 x 16 mm.
4. Ajuste el conector del cable de alimentación de la campana a la caja eléctrica.



A. Conector de la caja eléctrica
B. Conector de la campana

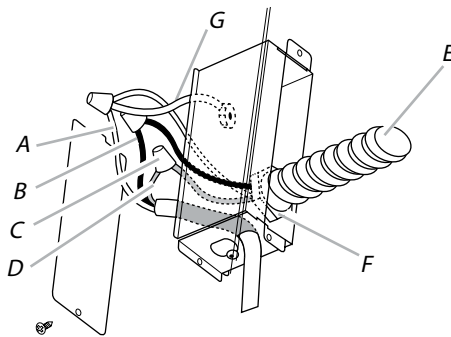


Haga la Conexión Eléctrica de la toma de Corriente a la Campana

⚠️ ADVERTENCIA

Riesgo de choque eléctrico.
Desconecte la corriente previamente.
Vuelva a conectar todas las partes y paneles antes de encenderlo, de lo contrario puede resultar en descarga eléctrica o la muerte.

1. Desconecte la toma de corriente.
2. Localice la caja eléctrica dentro del campana.



A. Cables blancos
B. Cables negros
C. Conectores de cable aprobados por UL
D. Cable de tierra Verde / Amarillo o desnudo
E. Cable de toma de corriente
F. UL listed or CSA approved 1/2" (1.3 cm) strain relief
G. Cable de tierra

3. Use los conectores de cables aprobados por UL y conecte los cables negros (B) juntos.
4. Use los conectores de cables aprobados por UL y conecte los cables blancos (B) juntos.

⚠️ ADVERTENCIA

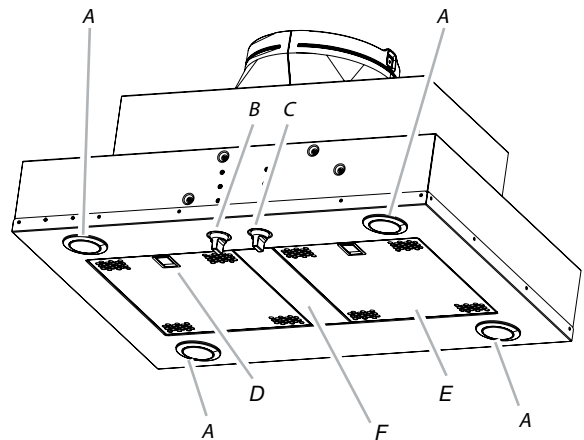
Riesgo de choque eléctrico.
Motor conectado eléctricamente a tierra.
Conecte el cable de tierra al cable de tierra amarillo y verde en la caja eléctrica.
Cualquier omisión a esta advertencia puede resultar en descarga eléctrica o la muerte.

5. Conecte el cable verde (o desnudo) de tierra de la toma de corriente casera al cable verde / amarillo en la caja eléctrica utilizando conectores de cables aprobados por UL.
6. Reinstale la cubierta de la caja eléctrica.

7. Revise que todas las lámparas estén fijadas en sus sockets.
8. Vuelva a conectar la corriente.

Complete la Instalación y Verifique el funcionamiento

1. Instale filtros de grasa. Vea la sección "Limpieza".
2. Verifique el funcionamiento de la campana y las lámparas. Vea la sección "Uso de la campana" en la página 30.



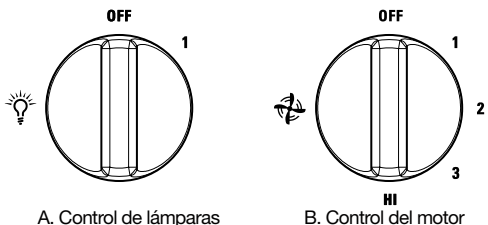
A. Lámparas halógenas
B. Switch de lámparas halógenas
C. Switch del motor
D. Manija del filtro de grasa
E. Filtro de grasa
F. Distancial del filtro (solo para modelos EML627SS)

3. Si la campana no funciona verifique si el breaker se encuentra en off ó si algún fusible se ha fundido en las instalaciones de su hogar.
4. Desconecte la toma de corriente y verifique que el cableado sea correcto.

NOTA: Para obtener un uso más eficiente de su nueva campana lea la sección "Uso de la campana" en la página 30.

Uso de la campana

Esta campana esta diseñada para remover humo, vapores de cocina y olores del área de cocina. Para mejores resultados, encienda la campana antes de cocinar y permita que opere algunos minutos después de haber terminado de cocinar para dispersar todo el humo y olores de la cocina. Los controles están localizados en la parte de abajo de la campana.



Funcionamiento de las lámparas

Gire el switch de las lámparas (A) una posición a la izquierda para encender las lámparas.

Gire el switch de las lámparas (A) una posición a la derecha para apagar las lámparas.

Funcionamiento del motor

El motor tiene 4 velocidades. Gire el switch del motor (B) hacia la izquierda hasta la posición ON. Continúe girando el switch hasta la velocidad deseada.

Para apagar el motor, gire la perilla de velocidad de motor (B) a la derecha hasta la posición OFF.

ADVERTENCIA: El motor de esta campana está protegido térmicamente contra altas temperaturas.

Si la campana no está encendida durante el proceso de cocinado, las altas temperaturas pueden presentarse al interior de la campana y el motor no operará hasta tener una temperatura segura. La campana siempre debe estar encendida.

Limpieza

IMPORTANTE: Limpie las campanas y los filtros de grasa frecuentemente de acuerdo a las siguientes instrucciones. Coloque los filtros de grasa antes de poner en funcionamiento la campana.

Superficies Externas:

Para evitar el daño a superficies externas, no utilice fibras de acero o estropajos con jabón.

Siempre use paños secos para evitar marcas de agua. Método de limpieza:

- utilice jabón líquido y agua, o limpiador multipropósito.
- Frote con un paño suave o una esponja no abrasiva, luego seque con agua limpia y un paño seco.

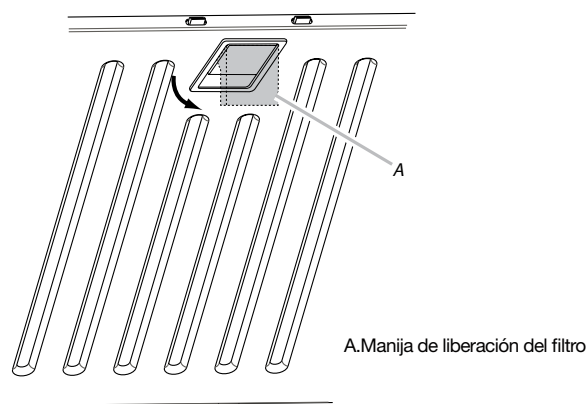
Filtro Metálico de Grasa

Los filtros deben ser lavados frecuentemente. Coloque los filtros de metal en el lavaplatos o en solución de detergente caliente para limpiar.

Deje secar completamente los filtros antes de reinstalarlos.

Apague las lámparas y permite que se enfríen.

1. Remueva cada filtro tirando de la manija de liberación de los filtros.



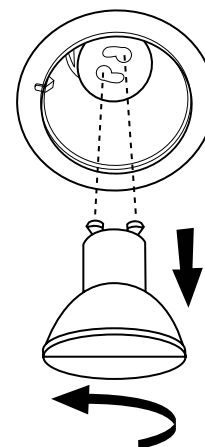
2. Lave los filtros de metal en lavatrastes o póngalos en solución de detergente caliente para limpiarlos.
3. Reinstale los filtros asegurándose que la manija se encuentre hacia el frente e inserte el filtro en la ranura superior.
4. Jale de la manija de liberación del filtro.
5. Inserte el filtro de metal y suéltela para que entre en su lugar.

Reemplazando las Lámparas Halógenas

Apague la campana y permita que las lámparas se enfríen. Para evitar el daño o una disminución en la vida útil de la lámpara, no toque el bulbo directamente con los dedos. Reemplace la lámpara, usando un pañuelo o guantes de algodón para manejar la lámpara.

Si la nueva lámpara no funciona, asegúrese de que estas fueron insertadas correctamente antes de llamar al servicio.

1. Desconecte la corriente.
2. Empuje la lámpara hacia arriba y gire en sentido inverso a las manecillas del reloj.
3. Remueva la lámpara y reemplacela con una lámpara halógena de máximo 120-volt, 50-watt con base GU10. Gire en el sentido de las manecillas para fijarlo.
4. Repita los pasos 2-3 para la otra lámpara si es necesario.
5. Reconecte la corriente.



PARA OBTENER SERVICIO DENTRO DE GARANTIA.

El propietario debe presentar su recibo original de la compra. Guarde por favor una copia de su recibo de compra como prueba, para recibir el servicio dentro del periodo de garantía.

PARTES Y GARANTIA DE SERVICIO.

Por el periodo de (2) dos años desde la fecha original de la compra, Elica proveerá, gratuitamente, partes no-consumibles o componentes que hayan fallado debido a defectos de fabricación. Durante estos (2) años de garantía limitada, Elica también proveerá gratuitamente, todo el servicio en casa y mano de obra necesaria para reemplazar cualquier parte defectuosa.

QUE NO ESTA CUBIERTO

- Daños o fallas del producto causados por accidente o actos de Dios, tales como inundaciones incendios o terremotos.
- Daños o fallas causadas por alteración del producto o por el uso de partes no-originales.
- Daños o fallas del producto causados durante la entrega, manejo o instalación.
- Daños o fallas del producto causados por abuso del usuario.
- Daños o fallas del producto causados por reemplazo de fusibles dañados o reseteo de interruptor de circuito.
- Daño o fallas causados por el uso del producto en un ambiente comercial (no doméstico).
- Viajes de servicio debidos a dudas sobre el uso o instalación del producto.
- Bombillas, filtros de carbón o metal y cualquier otra parte consumible.
- Desgaste normal.
- Desgaste terminal debido a abusos del usuario, mantenimiento inadecuado, uso de productos / toallas de limpieza corrosivos o abrasivos y por uso de limpiadores para hornos.

QUIEN ESTA CUBIERTO

Esta garantía se extiende al comprador original de productos adquiridos para uso residencial en Norte América (incluyendo Estados Unidos, Guam, Puerto Rico, Islas Vírgenes de USA y Canadá).

Esta garantía no es transferible y aplica solamente al comprador original y no se extiende a propietarios subsecuentes del producto. Esta garantía se expresa en lugar de otras garantías, expresadas o implicadas, incluyendo, pero no limitada a ninguna garantía implicada de comercialización o adaptada para propósitos particulares y cualquier otra obligación por parte de Elica North America, considerando, sin embargo, que si la negación de garantías implícitas es inefectiva bajo la ley aplicable, la duración de cualquier garantía implícita será limitada a dos (2) años desde la fecha original de compra o por el periodo necesario como sea requerido por la ley aplicable.

Esta garantía no cubre cualquier daño especial, incidental y/o consecuente, ni pérdidas de ganancias, sufridas por el comprador original, sus clientes y/o usuarios del producto.

A QUIEN CONTACTAR

Para obtener Servicio bajo Garantía o para cualquier pregunta relacionada a Servicio.

Favor de llamar:

- Servicio Autorizado de Elica North America al (888) 732-8018

O escribiendo a:

- Elica North America, Atención a Servicio a Clientes, 222 Merchandise Mart Plaza, Suite 947, Chicago, IL 60654 USA
infoamericas@elica.com

