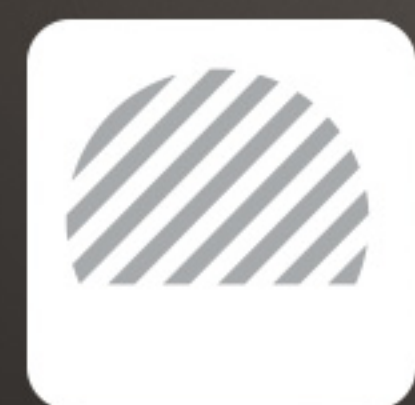


CHROME

ISLAND



Exclusive materials



High performance



≥ 20"



≥ 26"



COLLECTION



Chrome, a magical merge of technology and form. A monolithic symbol captured in time, shimmering eternally, defined in evocative imagery and reflection. A daring exercise in design, where technology permits absolute silence and control is almost magically. The clarity of perfect reflection creates a reality that embodies the essence of the absent and longs for the future.



Halogen Lamps



Magic Wand Controls



Elica Deep Silence (EDS) Filter

MODELS

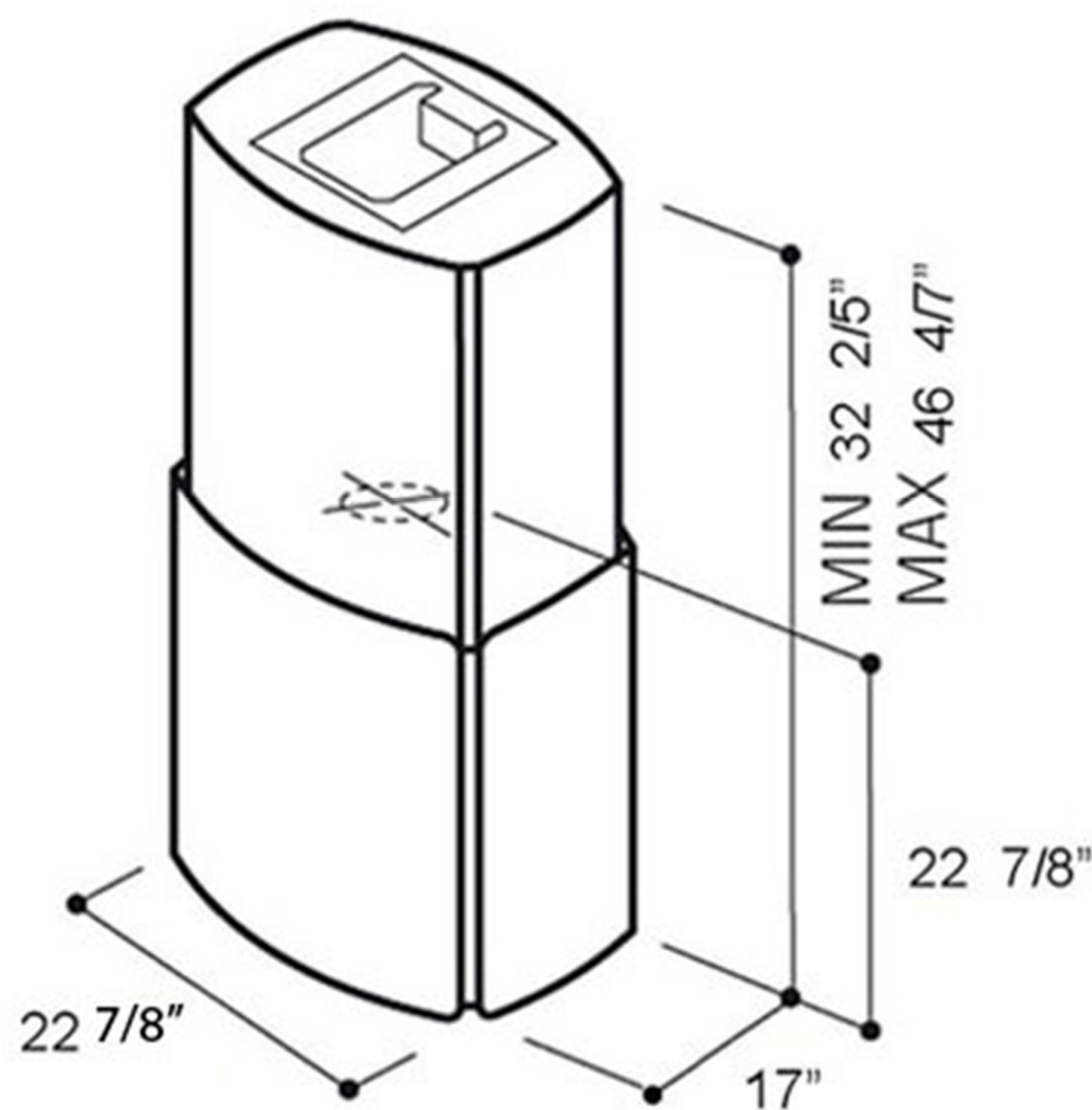
ECH623SS Chrome 22" Stainless Steel

DIMENSIONS

(22 7/8"W x 17"D x 22 7/8"H)

FEATURES

Size (in) & Type Finish	22" Wide Island Hood Stainless Steel
Controls	Magic Wand
Illumination	2, 20 Watt Halogen Lamps (Bulbs Included) 2 Light Intensities
Installation Type	Ducted or Recirculating Installation (Recirculating Deflector Included) Long Life Recirculating Carbon filter Sold Separately
Blower Type	600 CFM, 4-Speed Internal
Blower Performance	Speed 1, 195 CFM, 0.7 Sones Speed 2, 340 CFM, 1.8 Sones Speed 3, 500 CFM, 3.5 Sones Booster, 600 CFM, 4.8 Sones
Filter Type	Elica Deep Silence, Stainless Steel (Dishwasher)
Telescopic Chimney Extension	For heights 7'9" to 9'8" (Ducted)
Duct Transition	8" Round
Electrical	120V - 60 Hz 360 Watt at 3.0 Amps



ACCESSORIES



Optional
Long Life Recirculating Carbon filter

CODE: KIT01916/S
MODEL: ECHRCK15



Optional
Jet Remote Control

CODE: KIT02183/1
MODEL: EXXRCDBL