



CALABRIA WALL-MOUNT

ELICA PRO SERIES



LED lamps



backlit hidden metallic in/out knobs



stainless steel professional baffle filters

For homeowners who are passionate about the culinary arts, the seamless welded corner craftsmanship, traditional styling and gleaming stainless steel of Calabria, provides the look and performance you expect from a professional-grade range hood. With the new backlit hidden knob controls and traditional baffle filters, Calabria is available in 30", 36", 42", and 48" widths and equipped with a 600 CFM (30") or 1200 CFM blower (36", 42", 48") to support all cooking needs.

Calabria is designed for standard ducted ventilation only.

Dimensions | Models

30" W x 25" D x 18" H | ECL630S3
Calabria 30" Stainless

36" W x 25" D x 18" H | ECL136S3
Calabria 36" Stainless

42" W x 25" D x 18" H | ECL142S3
Calabria 42" Stainless

48" W x 25" D x 18" H | ECL148S3
Calabria 48" Stainless



HUSH



LED LIGHT



PROFESSIONAL PERFORMANCE



HEAT GUARD

FEATURES

Size (in) & Type	30", 36", 42" or 48" Wide Wall-Mount
Finish	Stainless steel
Controls	In/Out Backlit Knob
Illumination	2 LED (30", 36" & 42" Units) 7.5 watts LED light, replaceable lamps (1 intensity) 4 LED (48" Unit) 7.5 watts LED light, replaceable lamps (1 intensity)
Installation Type	Ducted Installation Only
Blower Type	600 CFM, 4-Speed Internal (30" Unit) 1200 CFM, 4-Speed Internal (36", 42", 48" Units)
Blower Performance	Speed 1 (For 30") 205 CFM, (For 36", 42" & 48") 375 CFM Speed 2 (For 30") 350 CFM, (For 36", 42" & 48") 640 CFM Speed 3 (For 30") 510 CFM, (For 36", 42" & 48") 940 CFM Speed 4 (For 30") 600 CFM, (For 36", 42" & 48") 1200 CFM
Noise (sones) *Working speed:	30" Min: 3.21, Max: 7.7 Sones 36", 42", 48" Min: 3.21, Max: 7.7 Sones
Filter Type	Dishwasher-Safe, Professional Stainless Steel, Angled Bae Filters 2(30" & 36" Units) 3(42" & 48" Units)
Duct Transition	10" Round with Back Draft Damper (top and rear)
Electrical	120V-60Hz

Line Drawing

Accessories

Optional 6" Chimney Extension

CODE: KIT02159 (30")
CODE: KIT02158 (36")
CODE: KIT02622 (42")
CODE: KIT02164 (48")



Optional 12" Chimney Extension

CODE: KIT02160 (30")
CODE: KIT02161 (36")
CODE: KIT02623 / MODEL: ECLCEK08 (42")
CODE: KIT02165 / MODEL: ECLCEK06 (48")



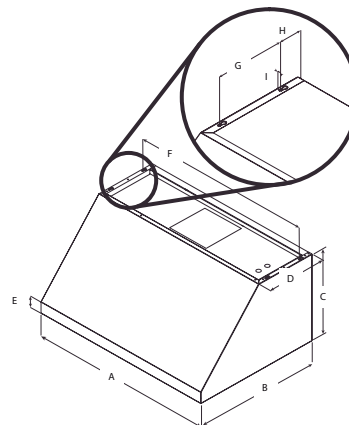
Optional Stainless Steel Back Splash & Warming Racks

CODE: KIT02162 (30")
CODE: KIT02163 (36")
CODE: KIT02624 (42")
CODE: KIT02166 (48")



Optional Heat Lamp Kit (bulbs included)

CODE: KIT02745 (30")
CODE: KIT02746 (36")
CODE: KIT02621 (42")
CODE: KIT02747 (48")



PLUS



HUSH SYSTEM

An exclusive sound deadening technology that effectively reduces sound levels by over 35%, compared to typical range hoods.



LED LIGHT

LED lighting is undoubtedly the smartest solution in terms of energy saving. Expected life time of over 20.000 hours, represents the most remarkable advantage of LED light bulbs.



PROFESSIONAL PERFORMANCE

Special features and very high performances for models with aspiration capacity between 600 and 1200 CFM's, and noise level between 65 and 75 db(A) at maximum speed. The ideal complement of PRO ranges.



HEAT GUARD

A safety feature that protects the hood and cabinetry from excessive heat, by sensing extreme temperatures (>158 degrees) and will automatically adjust the blower speed to HIGH. Blower speed will automatically adjust back once temperatures drop to a safe level.

Consumable parts

Replacement Grease Filter (1)

CODE: GF09EA (30")
CODE: GF09FA (36" & 42")
CODE: GF09GA (48")

Replacement Light Bulb (1)

CODE: 2006BH

Consumable parts are sold in units of one (1). Order accordingly.