

# CALABRIA



WALL-MOUNT  
ASPIRE SERIES

## Dimensions

(30" W x 25" D x 18" H)  
(36" W x 25" D x 18" H)  
(42" W x 25" D x 18" H)  
(48" W x 25" D x 18" H)

## Models

ECL630S2	Calabria 30" Stainless
ECL136S2	Calabria 36" Stainless
ECL142S2	Calabria 42" Stainless
ECL148S2	Calabria 48" Stainless



halogen lamps



metallic rotating knob controls



professional stainless steel baffle filters



For homeowners who are passionate about the culinary arts, the seamless welded corner craftsmanship, traditional styling and gleaming stainless steel of Calabria, provides the look and performance you expect from a professional-grade range hood - plus it comes unbranded for easy coordination with other appliances. Calabria is available in 30", 36", 42", and 48" widths and equipped with a 600 CFM (30") or 1200 CFM blower (36", 42", 48") to support all cooking needs.

Calabria is designed for standard ducted ventilation only.

## FEATURES

<b>Size (in) &amp; Type Finish</b>	30", 36", 42" or 48" Wide Wall-Mount Stainless Steel
<b>Controls</b>	Metallic Rotating Knob
<b>Illumination</b>	2, 40 Watt Halogen Lamps, 4 Light Intensities (30" & 36") (bulbs included) 3, 40 Watt Halogen Lamps, 4 Light Intensities (42" & 48") (bulbs included)
<b>Installation Type</b>	Ducted Installation Only
<b>Blower Type</b>	600 CFM, 4-Speed Internal (30" Unit) 1200 CFM, 4-Speed Internal (36", 42", 48" Units)
<b>Blower Performance</b>	Speed 1, 205 CFM, 1.9 Sones / 375 CFM, 2.1 Sones Speed 2, 350 CFM, 3.4 Sones / 640 CFM, 4.7 Sones Speed 3, 510 CFM, 6.0 Sones / 940 CFM, 8.1 Sones Speed 4, 600 CFM, 8.0 Sones / 1200 CFM, 10.3 Sones
<b>Filter Type</b>	Dishwasher-Safe, Professional Stainless Steel Baffle (2 w/ 30", 36", & 42"; 3 w/ 48" Units)
<b>Duct Transition</b>	10" Round with Back Draft Damper (top)
<b>Electrical</b>	120V-60Hz 550 Watts at 4.6 Amps (600 CFM Blower) 800 Watts at 6.7 Amps (1200 CFM Blower)
<b>Warranty</b>	2 Year Parts & Labor, In-Home Service

## ACCESSORIES



### Optional 6" Chimney Extension

CODE: KIT02159 / MODEL: EXXCEK01 (30")  
CODE: KIT02158 / MODEL: EXXCEK02 (36")  
CODE: KIT02622 / MODEL: EXXCEK07 (42")  
CODE: KIT02164 / MODEL: ECLCEK05 (48")



### Optional 12" Chimney Extension

CODE: KIT02160 / MODEL: EXXCEK03 (30")  
CODE: KIT02161 / MODEL: EXXCEK04 (36")  
CODE: KIT02623 / MODEL: EXXCEK08 (42")  
CODE: KIT02165 / MODEL: EXXCEK06 (48")



### Optional Stainless Steel Back Splash & Warming Racks

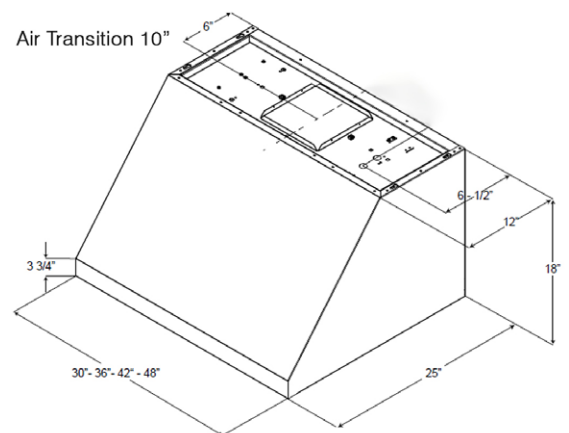
CODE: KIT02162 / MODEL: EXXBK30 (30")  
CODE: KIT02163 / MODEL: EXXBK36 (36")  
CODE: KIT02624 / MODEL: ECLBSK42 (42")  
CODE: KIT02166 / MODEL: ECLBSK48 (48")



### Optional Heat Lamp Kit (bulbs included)

CODE: KIT02745 / MODEL: ECLHLK30 (30")  
CODE: KIT02746 / MODEL: ECLHLK36 (36")  
CODE: KIT02621 / MODEL: ECLHLK42 (42")  
CODE: KIT02747 / MODEL: ECLHLK48 (48")

## LINE DRAWING



## CONSUMABLE PARTS

### Replacement Grease Filter (1)

CODE: GF09EA (30")  
CODE: GF09FA (36" & 42")  
CODE: GF09GA (48")

### Replacement Light Bulb (1)

CODE: 2006BH

Consumable parts are sold in units of one (1). Order accordingly.