

CINGOLI ISLAND



ASPIRE



Designed to be suspended above a kitchen island, Cingoli takes flight with graceful 36" or 42" arched glass wings, which allow natural light to illuminate the surface below. The expansive glass wings are complemented by reflective stainless steel. The beauty of Cingoli is combined with features like a powerful 600 CFM blower, dishwasher-safe stainless steel microhole filter and high-tech multi-function electronic touch with LCD display controls that deliver convenience and safety. Designed for standard ducted installation, Cingoli can also be installed as a recirculating system using the Recirculating Kit, available as an accessory.



Halogen Lamps



Multi-Function Electronic
Touch Controls



Stainless Steel Micro Hole
Filter

MODELS

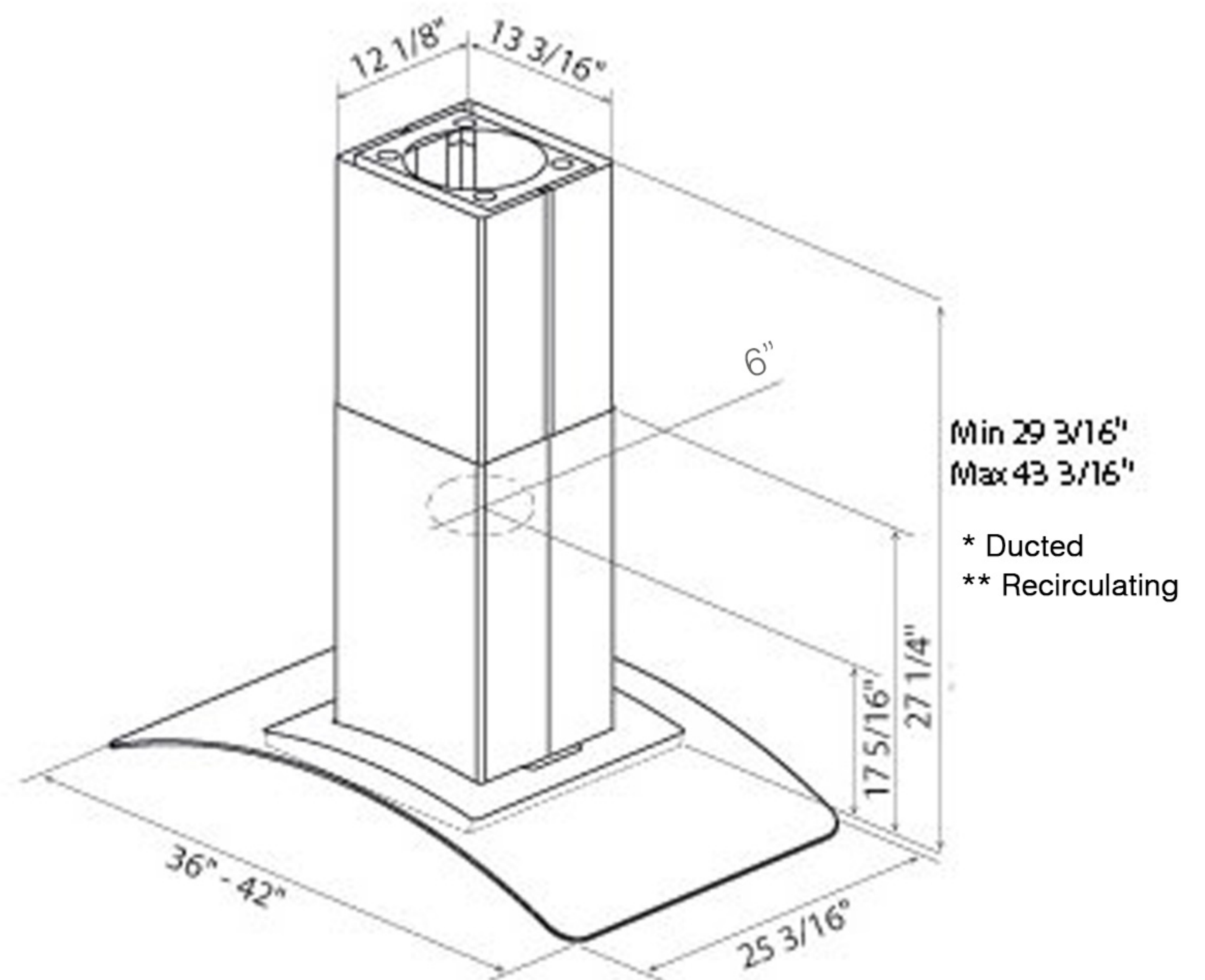
ECN636S2 Cingoli 36" Stainless
ECN642S2 Cingoli 42" Stainless

DIMENSIONS

(36"W x 25 ^{3/16}" D x 1 ^{15/16}" H)
(42"W x 25 ^{3/16}" D x 1 ^{15/16}" H)

FEATURES

Size (in) & Type Finish	36" or 42" Wide, Island Hood Stainless Steel + Glass
Controls	Multi-Function Electronic Touch with LCD Display
Illumination	4, 40 Watt Halogen Lamps (Bulbs Included) 2 Light Intensities
Installation Type	Ducted or Recirculating Installation Recirculating Kit Sold Separately
Blower Type	600 CFM, 4-Speed Internal
Blower Performance	Speed 1, 160 CFM, 1.6 Sones Speed 2, 280 CFM, 3.5 Sones Speed 3, 470 CFM, 6.6 Sones Speed 4, 600 CFM, 8.7 Sones
Filter Type	1, Stainless Steel Microhole
Telescopic Chimney Extension	For heights 7'6" to 9'5" (Ducted) For heights 7'6" to 9'11" (Recirculating)
Duct Transition	6" Round (Back Draft Damper Included)
Electrical	120V - 60 Hz 530 Watt at 4.4 Amps



ACCESSORIES



Optional
Recirculating Kit for
36" and 42" unit

CODE: KIT02198
MODEL: EXXRCK04



Optional
Long Chimney
Extension Kit for
9'0" - 12'0"

CODE: KIT02670
MODEL: EXXCEK06