

LUGANO

WALL-MOUNT



ASPIRE



With Lugano, the beauty of stainless steel conveys understated elegance, with a gently tapered hood that measures only 5" high. Available in 30" or 36" width, Lugano features include a powerful 600 CFM blower, halogen lighting with 2 light intensities, stainless steel microhole filters and high-tech multi-function LCD controls that deliver convenience and safety. Designed for standard ducted installation, Lugano can also be installed as a recirculating system using the Recirculating Kit, available as an accessory.



Halogen Lamps



Multi-Function Electronic Touch Controls



Stainless Steel Micro Hole Filters

MODELS

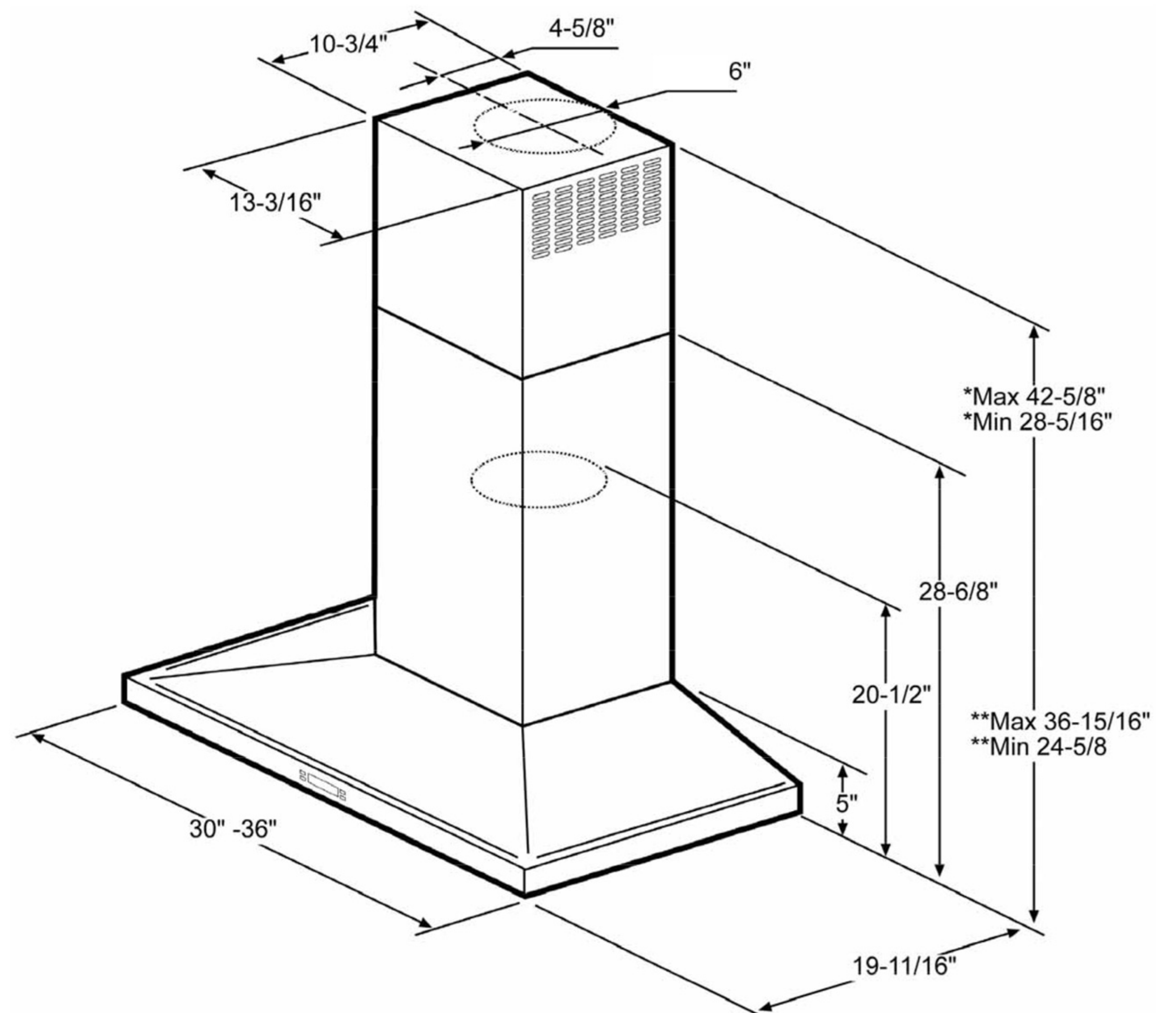
ELG630S2 Lugano 30" Stainless
ELG636S2 Lugano 36" Stainless

DIMENSIONS

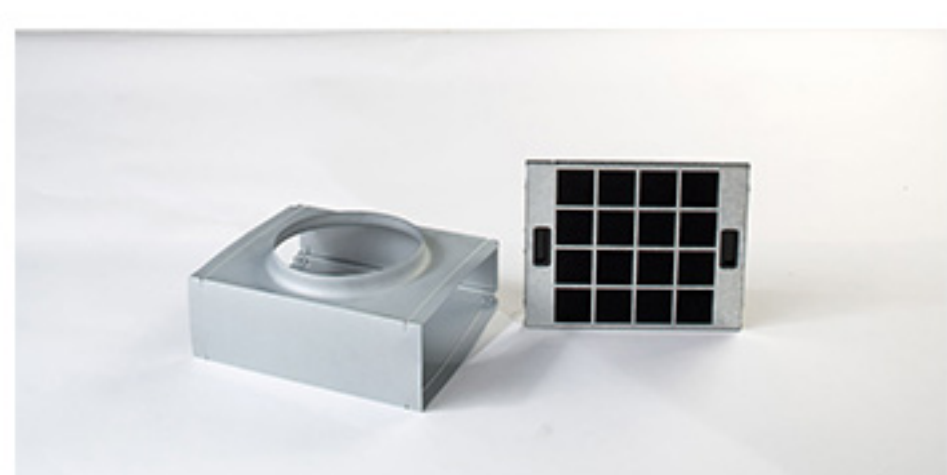
(30"W x 19^{11/16}"D x 5"H)
(36"W x 19^{11/16}"D x 5"H)

FEATURES

Size (in) & Type Finish	30" or 36" Wide, Wall-Mounted, Chimney Hood Stainless Steel
Controls	Multi-Function Electronic Touch with LCD Display
Illumination	2, 40 Watt Halogen Lamps (Bulbs Included) 2 Light Intensities
Installation Type	Ducted or Recirculating Installation Recirculating Kit Sold Separately
Blower Type	600 CFM, 4-Speed Internal
Blower Performance	Speed 1, 160 CFM, 1.4 Sones Speed 2, 280 CFM, 3.2 Sones Speed 3, 475 CFM, 6.0 Sones Speed 4, 600 CFM, 8.2 Sones
Filter Type	1, Dishwasher-Safe, Stainless Steel Microhole
Telescopic Chimney Extension	For heights 7'1" to 9'1" (Ducted)
Duct Transition	6" Round (Back Draft Damper Included)
Electrical	120V - 60 Hz 530 Watt at 4.4 Amps



ACCESSORIES



Optional Recirculating Kit for 30" and 36" unit

CODE: KIT02199
MODEL: EXXRCK05



Optional Long Chimney Extension Kit for 9'0" - 12'0"

CODE: KIT01935
MODEL: EXXCEK07