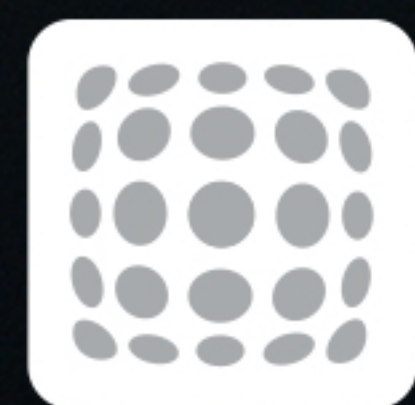


PLATINUM HANGING



Ambient light



≥ 20"



≥ 28"

COLLECTION



As light shines, gleaming metal sparkles into life and the world around is mirrored in its surface. Colors and images amplify and change, performing a fascinating dance that transforms a simple object into a brilliant kaleidoscope
(Wall installation with bracket possible)



Halogen Lamps



Soft Touch, Push Buttons Controls



Aluminium Mesh Grease Filter & Long Life Carbon Filter

MODELS

EPL320SS Platinum 20" Stainless

DIMENSIONS

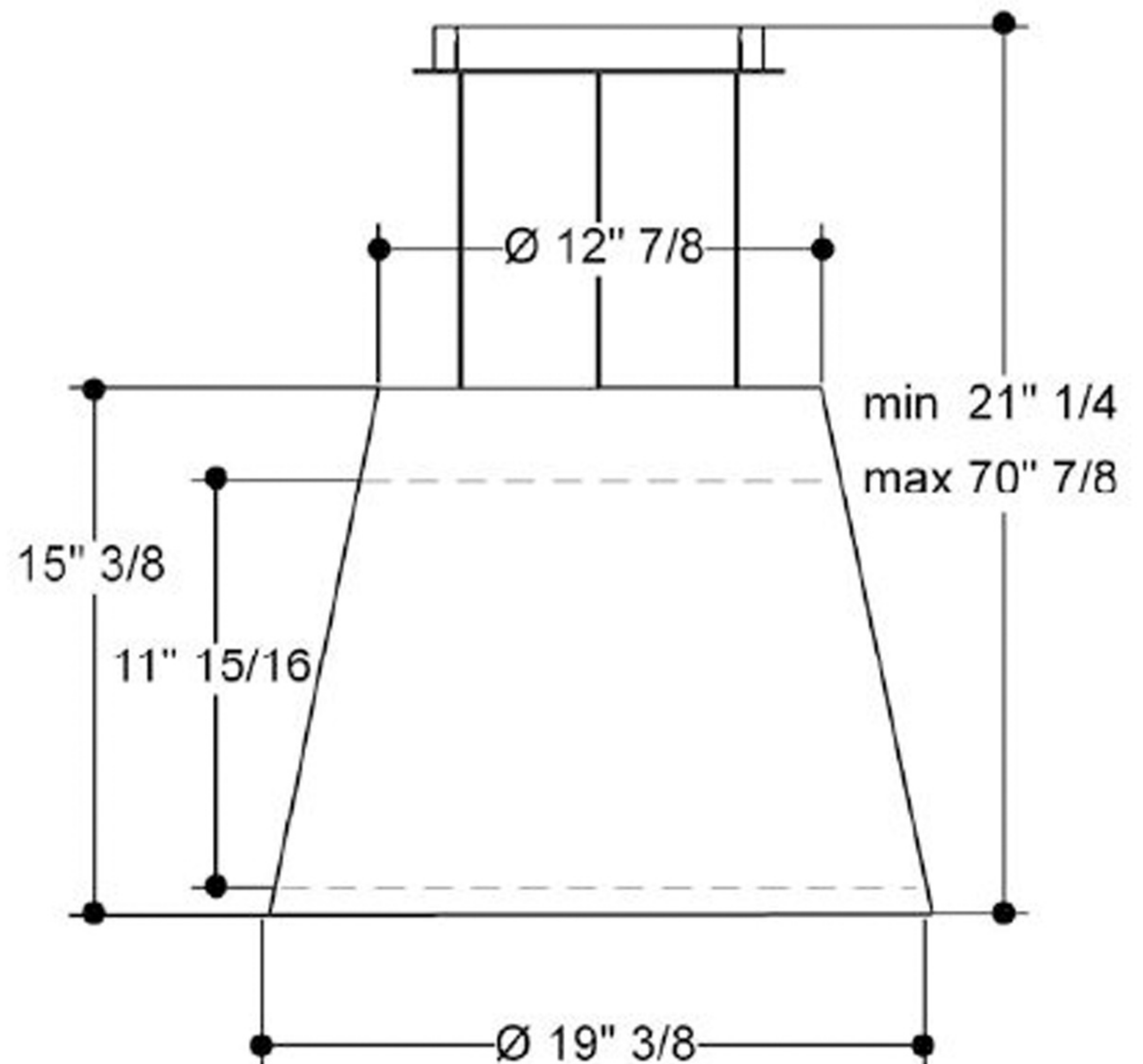
(19 ³/₈"W x 15 ³/₈"H x 19 ³/₈"D)

PLATINUM

ISLAND/WALL MOUNTED HOOD

FEATURES

Size (in) & Type Finish	20" Wide, Island/ Wall Mounted Hood Stainless Steel
Controls	Soft Touch Illuminated
Illumination	2, 20 Watt Halogen Lamps (Bulbs Included) 1 Light Intensity
Installation Type	Recirculating Installation Only
Blower Type	350 CFM, 3-Speed Internal
Blower Performance	Speed 1, 110 CFM, 0.3 Sones Speed 2, 220 CFM, 2.1 Sones Speed 3, 350 CFM, 3.8 Sones
Filter Type	1, Dishwasher-Grease Aluminium Filter 1, Long Life Carbon Filter (Included)
Standard Ceiling Height	Range 6' 10" - 11' 8"
Electrical	120V - 60 Hz 200 Watt at 1.7 Amps



ACCESSORIES



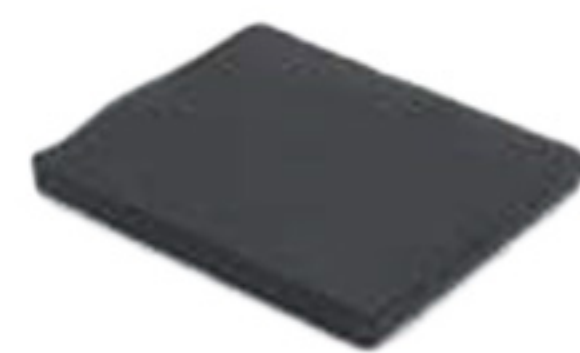
Optional
Wall Mounting
Bracket Kit

CODE: KIT02349
MODEL: EXXWBK02



Optional
Ceiling Heights
Range 6' 10"- 23' 5"

CODE: KIT01921
MODEL: EXXEEKSS



Optional
Long Life Carbon
Filter

CODE: RG006A
MODEL: EXXRCKEC