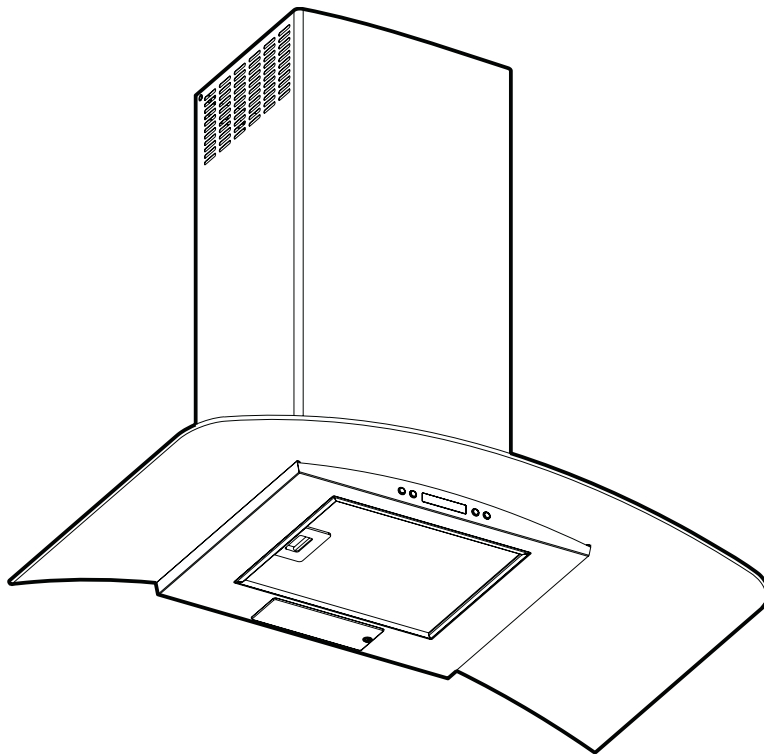


**Use, Care, and Installation Guide**  
**Guide d'utilisation, d'entretien et d'installation**  
**Guía de instalación, uso y mantenimiento**

**READ AND SAVE THESE INSTRUCTIONS**  
**LISEZ CES INSTRUCTIONS ET CONSERVEZ-LES**  
**READ AND SAVE THESE INSTRUCTIONS**



<b>English</b>	<b>Contents</b>	<b>page</b>	<b>2</b>
<b>Français</b>	<b>Sommaire</b>	<b>page</b>	<b>16</b>
<b>Español</b>	<b>Contenido</b>	<b>página</b>	<b>30</b>

## English

### Contents

<b>Important safety Notice.....</b>	<b>3</b>
<b>Electrical &amp; Installation requirements .....</b>	<b>4</b>
Electrical requirements .....	4
Before installing the hood .....	4
<b>List of Materials.....</b>	<b>5</b>
Parts supplied .....	5
Parts not supplied .....	5
<b>Dimensions and Clearances.....</b>	<b>5</b>
<b>Duct Fittings.....</b>	<b>6</b>
<b>Installing Preparation.....</b>	<b>6</b>
Mounting the duct cover bracket.....	7
Ceiling / wall ducting .....	7
<b>Installation .....</b>	<b>8</b>
Mounting the hood .....	8
Electrical Connection.....	9
<b>Description of the hood &amp; Controls.....</b>	<b>10</b>
Controls.....	10
<b>Maintenance .....</b>	<b>11</b>
<b>Available Accesories.....</b>	<b>12</b>
<b>Troubleshooting.....</b>	<b>14</b>
<b>Warranty .....</b>	<b>15</b>

**APPROVED FOR RESIDENTIAL APPLIANCES  
FOR RESIDENTIAL USE ONLY  
READ AND SAVE THESE INSTRUCTIONS**

**PLEASE READ ENTIRE INSTRUCTIONS BEFORE PROCEEDING.**

**INSTALLATION MUST COMPLY WITH ALL LOCAL CODES.**

**IMPORTANT: Save these Instructions for the Local Electrical Inspector's use.**

**INSTALLER: Please leave these Instructions with this unit for the owner.**

**OWNER: Please retain these instructions for future reference.**

**Safety Warning: Turn off power circuit at service panel and lock out panel, before wiring this appliance.**

**Requirement: 120 V AC, 60 Hz. 15 or 20 A Branch Circuit**

# READ AND SAVE THESE INSTRUCTIONS

## Important safety Notice

### CAUTION

**FOR GENERAL VENTILATING USE ONLY. DO NOT USE TO EXHAUST HAZARDOUS OR EXPLOSIVE MATERIALS OR VAPOURS.**

### WARNING

**TO REDUCE THE RISK OF FIRE, ELECTRIC SHOCK, OR INJURY TO PERSONS, OBSERVE THE FOLLOWING:**

- A. Use this unit only in the manner intended by the manufacturer. If you have questions, contact the manufacturer.
- B. Before servicing or cleaning the unit, switch power off at service panel and lock service panel disconnecting means to prevent power from being switched on accidentally. When the service disconnecting means cannot be locked, securely fasten a prominent warning device, such as a tag, to the service panel.
- C. Installation Work and Electrical Wiring Must Be Done By Qualified Person(s) In Accordance With All Applicable Codes & Standards, Including Fire-rated Construction.
- D. Sufficient air is needed for proper combustion and exhausting of gases through the flue (Chimney) of fuel burning equipment to prevent back-drafting. Follow the heating equipment manufacturers guideline and safety standards such as those published by the National Fire Protection Association (NFPA), the American Society for Heating, Refrigeration and Air Conditioning Engineers (ASHRAE), and the local code authorities.
- E. When cutting or drilling into wall or ceiling, do not damage electrical wiring and other hidden utilities.
- F. Ducted systems must always be vented to the outdoors.

### CAUTION

**To reduce risk of fire and to properly exhaust air, be sure to duct air outside - do not vent exhaust air into spaces within walls, ceilings, attics, crawl spaces, or garages.**

### WARNING

**TO REDUCE THE RISK OF FIRE, USE ONLY METAL DUCT WORK.**

Install this hood in accordance with all requirements specified.

### WARNING

**To Reduce The Risk Of Fire Or Electric Shock, Do Not Use This Hood With Any External Solid State Speed Control Device.**

### WARNING

**TO REDUCE THE RISK OF A RANGE TOP GREASE FIRE.**

- a) Never leave surface units unattended at high settings. Boilovers cause smoking and greasy spillovers that may ignite. Heat oils slowly on low or medium settings.
- b) Always turn hood ON when cooking at high heat or when flambeing food (I.e. Crepes Suzette, Cherries Jubilee, Peppercorn Beef Flambe').
- c) Clean ventilating fans frequently. Grease should not be allowed to accumulate on fan or filter.
- d) Use proper pan size. Always use cookware appropriate for the size of the surface element.

### WARNING

**TO REDUCE THE RISK OF INJURY TO PERSONS, IN THE EVENT OF A RANGE TOP GREASE FIRE, OBSERVE THE FOLLOWING:<sup>a</sup>**

- a) SMOTHER FLAMES with a close-fitting lid, cookie sheet, or other metal tray, then turn off the gas burner or the electric element. BE CAREFUL TO PREVENT BURNS. If the flames do not go out immediately, EVACUATE AND CALL THE FIRE DEPARTMENT.
- b) NEVER PICK UP A FLAMING PAN - you may be burned.
- c) DO NOT USE WATER, including wet dishcloths or towels - a violent steam explosion will result.
- d) Use an extinguisher **ONLY** if:
  - 1) You know you have a class ABC extinguisher, and you already know how to operate it.
  - 2) The fire is small and contained in the area where it started.
  - 3) The fire department is being called.
  - 4) You can fight the fire with your back to an exit.

<sup>a</sup>Based on "Kitchen Fire Safety Tips" published by NFPA.

### OPERATION

a. Always leave safety grills and filters in place. Without these components, operating blowers could catch onto hair, fingers and loose clothing.

The manufacturer declines all responsibility in the event of failure to observe the instructions given here for installation, maintenance and suitable use of the product. The manufacturer further declines all responsibility for injury due to negligence and the warranty of the unit automatically expires due to improper maintenance.

# Electrical & Installation requirements

## Electrical requirements

### IMPORTANT

Observe all governing codes and ordinances.

It is the customer's responsibility:

To contact a qualified electrical installer.

To assure that the electrical installation is adequate and in conformance with National Electrical Code, ANSI/NFPA 70 — latest edition\*, or CSA Standards C22.1-94, Canadian Electrical Code, Part 1 and C22.2 No.0-M91 - latest edition\*\* and all local codes and ordinances.

If codes permit and a separate ground wire is used, it is recommended that a qualified electrician determine that the ground path is adequate.

Do not ground to a gas pipe.

Check with a qualified electrician if you are not sure range hood is properly grounded.

Do not have a fuse in the neutral or ground circuit.

### IMPORTANT

Save Installation Instructions for electrical inspector's use.

The range hood must be connected with copper wire only.

The range hood should be connected directly to the fused disconnect (Or circuit breaker) box through metal electrical conduit.

Wire sizes must conform to the requirements of the National Electrical Code ANSI/NFPA 70 — latest edition\*, or CSA Standards C22.1-94, Canadian Electrical Code Part 1 and C22.2 No. 0-M91 - latest edition\*\* and all local codes and ordinances.

A U.L.- or C.S.A.-listed conduit connector must be provided at each end of the power supply conduit (at the range hood and at the junction box).

Copies of the standards listed may be obtained from:

\* National Fire Protection Association Batterymarch Park Quincy, Massachusetts 02269

\*\* CSA International 8501 East Pleasant Valley Road Cleveland, Ohio 44131-5575

## Electric requirements

- These vent hoods must be power supplied 120 V, 60 Hz, and connected to an individual, properly grounded branch circuit, and protected by 15 or 20 Amps circuit breaker or fuse.
- Wiring must be two wire with ground.
- If the electrical supply does not meet above requirements, call a licensed electrician before proceeding.
- Route house wiring as close to the installation location as possible, in the ceiling or back wall.
- The hood must be connected to the house wiring in accordance with the local codes.

CAUTION: This appliance should be properly grounded.

## Before installing the hood

1. For the most efficient air flow exhaust, use a straight run or as few elbows as possible.

**CAUTION:** Vent unit to outside of building, only.

2. At least two people are necessary for installation.
3. Fittings material is provided to secure the hood to most types of walls/ceilings, consult a Qualified Installer, check if they perfectly fit with your cabinet/wall.
4. Do not use flex ducting.
5. COLD WEATHER installations should have an additional backdraft damper installed to minimize backward cold air flow and a nonmetallic thermal break to minimize conduction of outside temperatures as part of the ductwork. The damper should be on the cold air side of the thermal break.  
The break should be as close as possible to where the ducting enters the heated portion of the house.
6. Make up air: Local building codes may require the use of Make-Up Air Systems when using Ducted Ventilation Systems greater than specified CFM of air movement. The specified CFM varies from locale to locale. Consult your HVAC professional for specific requirements in your area.

# List of Materials

## Parts supplied

Removing the packaging

### CAUTION!

Removing the packaging

CAUTION: Wear gloves to protect against sharp edges. First remove the carton carefully and take out the duct cover.

CAUTION: Remove carefully the glass canopy from the box and put it on a smooth safe surfaces.

Grasp the hood structure from the body and lift straight off the box.

Remove and properly discard every carton and plastic wrapping content in the package.

Remove parts out of the box, duct covers and other contents.

### WARNING!

Remove the protective film covering the product before putting into operation.

- Hood canopy assembly with blower, transition.
- Lamp (already installed).
- Grease filter.
- Glass Canopy (already installed).
- Duct cover.
- Hardware bag with:
  - Installation template.
  - Duct cover support bracket (1 piece)
  - Use, care and installation guide
  - Wood screws (6 pieces - 5 x 45)
  - Hood attachment anchors screws (6 pieces - 8 x 40)
  - Assembly screws (4 pieces - 4.2 x 8)

## Parts not supplied

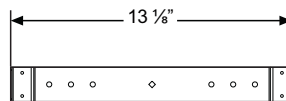
### Tools/Materials required

- Gloves to protect against sharp edges
- Safety glasses
- Hammer
- Electric drill with 5/16" bit
- Pliers
- Measuring tape
- Saw, jig saw
- Level
- Knife
- Wire cutter
- Phillips (Pozidrive) # 2 screwdriver
- Torx # 2 screwdriver

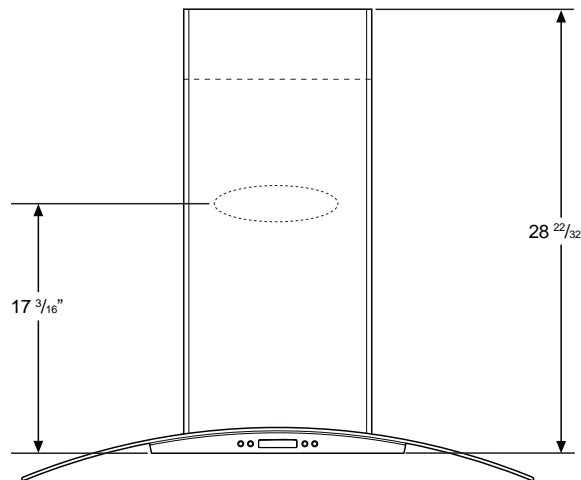
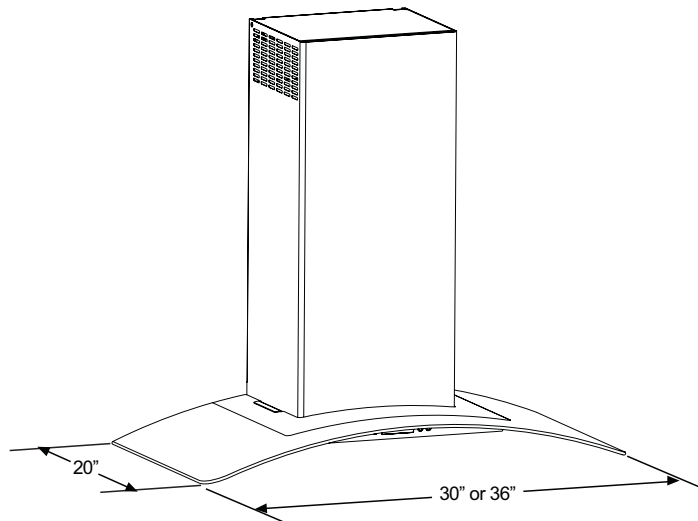
### Accessories

Ductless recirculation Kit	REC DEKOR
Charcoal replacement filter	CHF KIT DEKOR
Telescopic Ductcover Ext. kit	TEL DEKOR
No return valve kit	NRV DEKOR

## Duct cover bracket



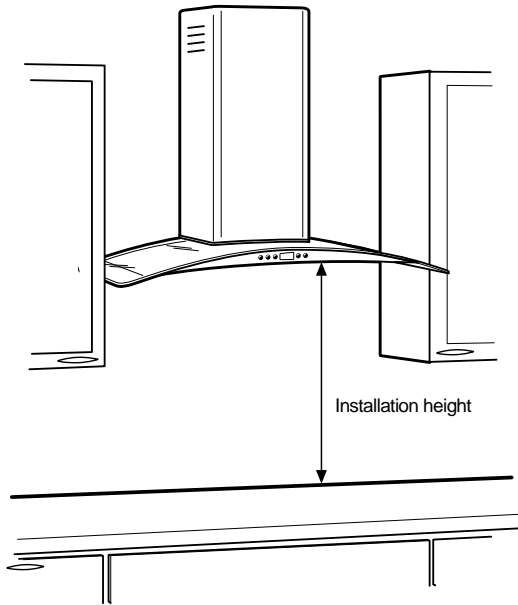
## Dimensions and Clearances



The vent hood must be installed above the cooking surface at 30" if a gas range is used or from 24" to 30" if an electric range is used.

If the customer needs that the duct cover reaches from 8" to 10" ceilings height, then an additional telescopic duct cover accessory is needed.

This hood can be installed over any electric and gas cooktop/ range. It can not be installed over any professional cooktop / range.



Installation height: 30" gas cooktop/range or 24" to 30" electric cooktop/range.

The hood may be installed onto a wall and vented to the outdoors, or it can be installed for recirculating operation (recirculating accessories not supplied with the hood).

## Installing preparation

### Advance planning

- Determine the exact location of the vent hood.
- Plan the route for venting exhaust to the outdoors.
- Use the shortest and straightest duct route possible. For satisfactory performance duct run should not exceed 100' equivalent length for any duct configurations.
- Refer to "Duct Fittings" chart to compute the maximum permissible length for duct runs to the outdoors.
- Install a wall cap with damper or roof cap at the exterior opening. Order the wall or roof cap and any transition needed in advance.
- Use 8" round metal ductwork only.

### Wall framing for adequate support

- This vent hood is heavy. Adequate structure and support must be provided in all types of installations. The hood must be secure to vertical studs in the wall, or to a horizontal support.
- The vent hood should be on site before final framing and wall finishing. This will help to accurately locate the duct work and electrical service.
- Installation will be easier if the vent hood is installed before the cook-top and countertop are installed.

## Duct Fittings

Duct pieces		Equivalent number length x used =	Total
	6" Round, straight	1 Ft. x ( ) =	Ft.
	3 1/4" x 10" Rect., straight	1 Ft. x ( ) =	Ft.
	6" Round, 90° elbow	15 Ft. x ( ) =	Ft.
	6" Round, 45° elbow	8 Ft. x ( ) =	Ft.
	3 1/4" x 10" Rect. 90° elbow	11 Ft. x ( ) =	Ft.
	3 1/4" x 10" Rect. 45° elbow	6 Ft. x ( ) =	Ft.
	3 1/4" x 10" Rect. 90° flat elbow	24 Ft. x ( ) =	Ft.
	6" round to 3 1/4" x 10" rect. transition	1 Ft. x ( ) =	Ft.

Duct pieces		Equivalent number length x used =	Total
	3 1/4" x 10" Rect. to 6" round transition	8 Ft. x ( ) =	Ft.
	6" round to 3 1/4" x 10" rect. transition 90° elbow	16 Ft. x ( ) =	Ft.
	3 1/4" x 10" Rect. to 6" round transition 90° elbow	17 Ft. x ( ) =	Ft.
	6" Round wall cap with damper	30 Ft. x ( ) =	Ft.
	3 1/4" x 10" Rect. wall cap with damper	30 Ft. x ( ) =	Ft.
	7" - 10" Round, roof cap	26 Ft. x ( ) =	Ft.
Total Duct Run			

**DUCT FITTINGS:** Use this chart to compute maximum permissible lengths for duct runs to outdoors.

**NOTE:** Do not exceed maximum permissible equivalent lengths!

**Flexible ducting:**

If flexible metal ducting is used, all the equivalent feet values in the table should be doubled. The flexible metal duct should be straight and smooth and extended as much as possible.

DO NOT use flexible plastic ducting.

NOTE: Any home ventilation system, such as a ventilation hood, may interrupt the proper flow of combustion air and exhaust required by fireplaces, gas furnaces, gas water heaters and other naturally vented systems.

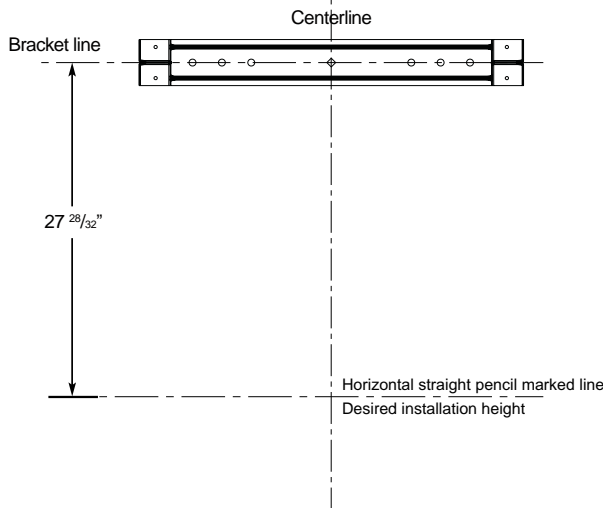
To minimize the chance of interruption of such naturally vented systems, follow the heating equipment manufacturer's guidelines and safety standards such as those published by NFPA and ASHRAE.

This Hood Must Use an 8" Round Duct.

**Mounting the duct cover bracket**

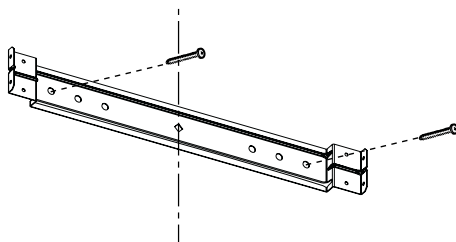
**Option A - Fixed height duct cover**

- From the horizontal line traced in the previous section, trace a horizontal parallel line as shown below.
- Center the bracket in the top horizontal line and align it with the centerline, as described in the following drawing.



Mark screw holes locations in the wall.

**IMPORTANT.** Check to be sure that holes locations are leveled, and correctly centered by the vertical centerline. Drill 5/16" pilot holes in the marked locations. Install wall fastener anchors. Drive wood screws, by hand, into the fasteners to allow anchors to expand. Remove screws. Secure the bracket to the wall with wood screws and/or fasteners.

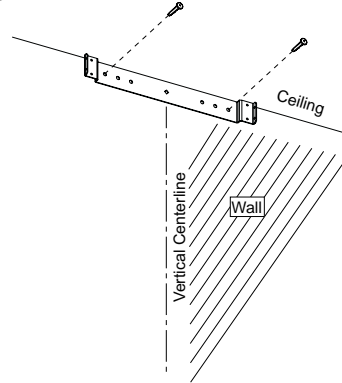


**Option B - Telescopic duct cover**

The duct bracket should be installed against the back wall and flush with the ceiling. This bracket will hold the duct cover in place at the top (this a extra accessory available not included with the hood).

**Secure the bracket to the wall:**

- Align the marked centerline on the bracket with the centerline on the wall.
- Mark 2 screw hole locations in the wall.
- Drill 5/16" pilot holes in the marked locations.
- Install wall fastener anchors.
- Drive wood screws, by hand, into the fastener to allow anchors to expand. Remove the screws.
- Secure the bracket to the wall with wood screws and/or fasteners.



**Ceiling ducting**

If the duct will vent straight up to the ceiling:

- Use level to draw a line straight up, from the centerline on the template to the ceiling.
- Measure at least 4 - 12/16" from the back wall to the circle center of an 8-1/2" hole on the ceiling.

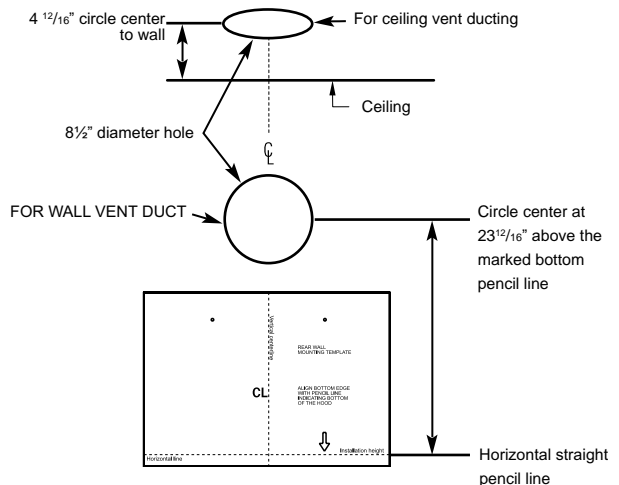
**Wall ducting**

If ductwork will vent to rear:

- Use a level to draw a line straight up from the centerline on the template.
- Measure at least 23 - 12/16" (the measure might vary dependig on the elbow used) above the pencil line that] indicates the bottom installation height, to the circle center of an 8-1/2" diameter duct hole (Hole may be elongated for duct elbow).

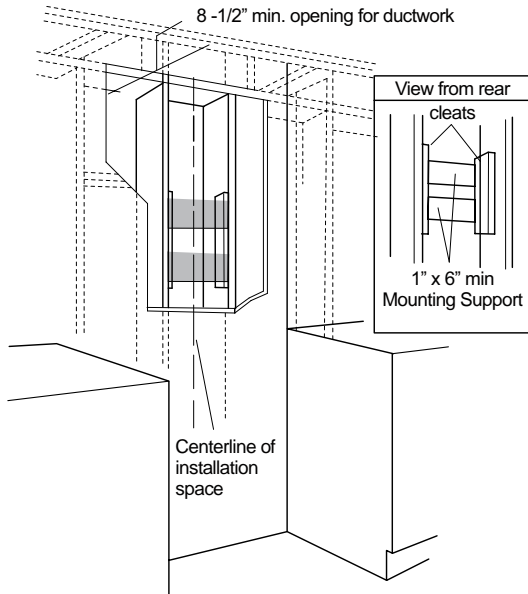
**House wiring location**

- The junction box is located on the top left side of the hood.
- Wiring should enter the back wall at least 20" above the bottom of the installation height, and within 5-7/8" and 4-7/8" of the left side of the centerline.



### Install framing for hood support

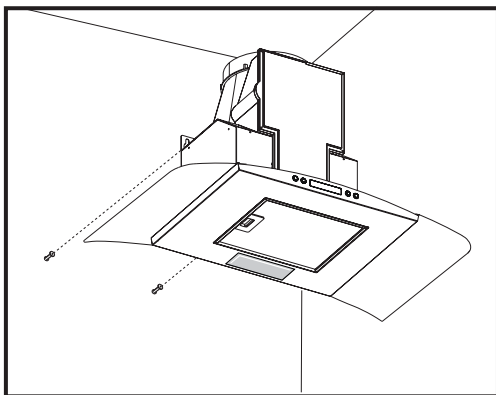
- If drywall is present, mark the screw hole locations. Remove the template.
  - Cut away enough drywall to expose 2 vertical studs at the holes location indicated by the template. Install two horizontal supports at least 4 X 2" between two wall studs at the bottom and upper mounting holes installation location.
  - The horizontal support must be flush with the room side of the studs.
  - Use cleats behind both sides of the support to secure to wall studs.
  - Reinstall drywall and refinish
- IMPORTANT-** Framing must be capable of supporting 100 lbs.



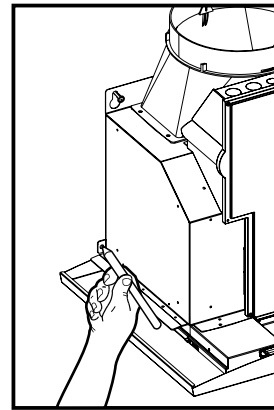
### Mounting the hood

**WARNING:** 2 people are required to lift and position the hood onto the mounting screws.

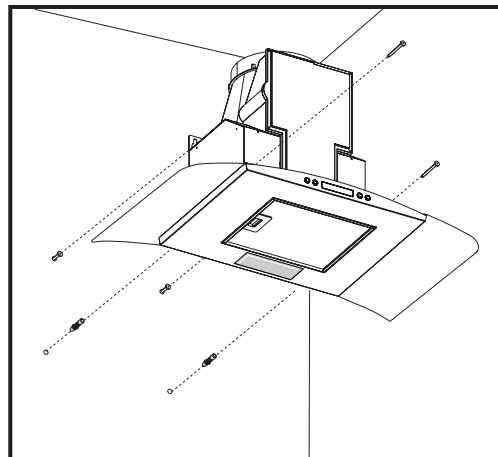
- Place the template on the wall along the horizontal line, make sure the template is leveled and centered with the centerline.
- Mark "upper" screw holes locations in the wall.
- **IMPORTANT.** Check to be sure that hole locations are leveled and correctly centered by the vertical centerline.
- Drive "upper" wood screws by hand. Leave 1/4 " of distance between the screw head and the wall.
- Remove the grease filter and mount the hood onto the "upper" screws.



- Mark "lower" wood screw holes locations in the wall using a pencil.

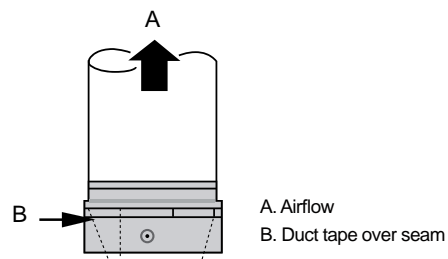


- Remove the hood.
- Drive "lower" wood screws, by hand. Remove screws.
- Mount the hood onto the "upper" screws.
- Drive and tighten the "upper" wood screws, by hand.
- Drive and tighten the "lower" wood screws, by hand.



### Connecting the ductwork

- Install ductwork, making connections in the direction of airflow as illustrated.
- Push duct over the exhaust outlet.
- Wrap all duct joints and the flange connections with duct tape for an airtight seal.
- Make the same connection in the wall or ceiling vent exit.





## Electrical connection

### WARNING

#### Electrical Shock Hazard

Warning: Turn off power circuit at the service panel before wiring this unit.

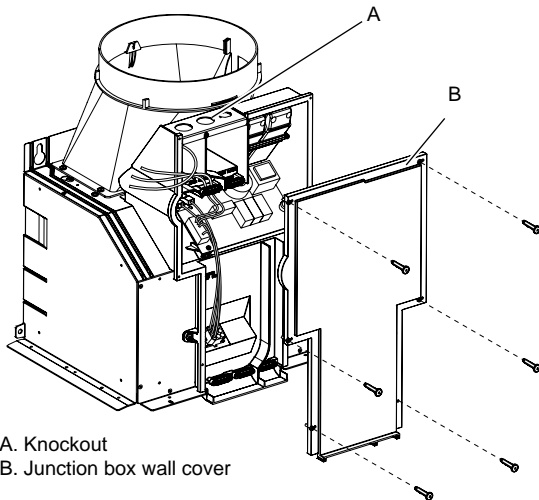
120 VAC, 15 or 20 Amp circuit required.

### ELECTRICAL GROUNDING INSTRUCTIONS

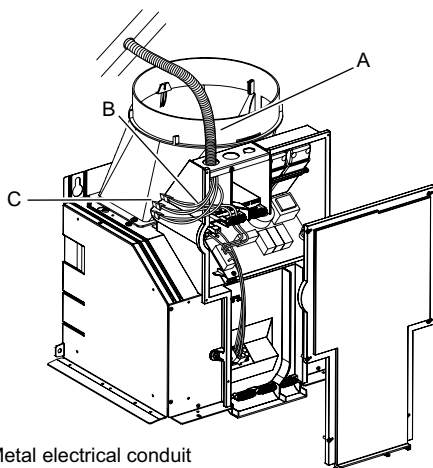
THIS APPLIANCE IS FITTED WITH AN ELECTRICAL JUNCTION BOX WITH 3 WIRES, ONE OF WHICH (GREEN/YELLOW) SERVES TO GROUND THE APPLIANCE. TO PROTECT YOU AGAINST ELECTRIC SHOCK, THE GREEN AND YELLOW WIRE MUST BE CONNECTED TO THE GROUNDING WIRE IN YOUR HOME ELECTRICAL SYSTEM, AND IT MUST UNDER NO CIRCUMSTANCES BE CUT OR REMOVED.

Failure to do so can result in death or electrical shock.

Facing the front of the range hood, remove the left knockout and the Junction box cover and install the conduit connector (cULus listed) in junction box.



- If not already done, install 1/2" conduit connector in jbox.

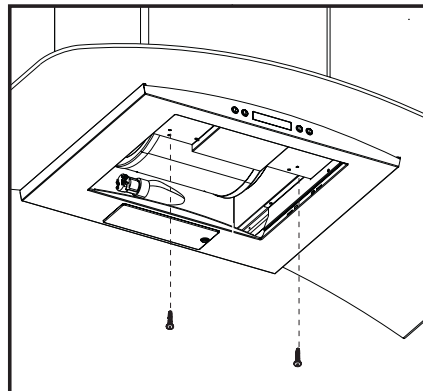
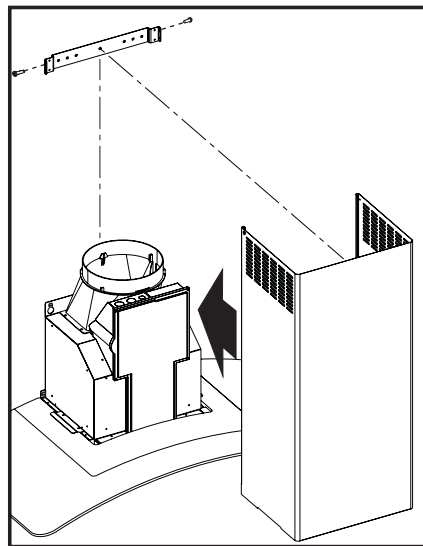


### Electrical connections:

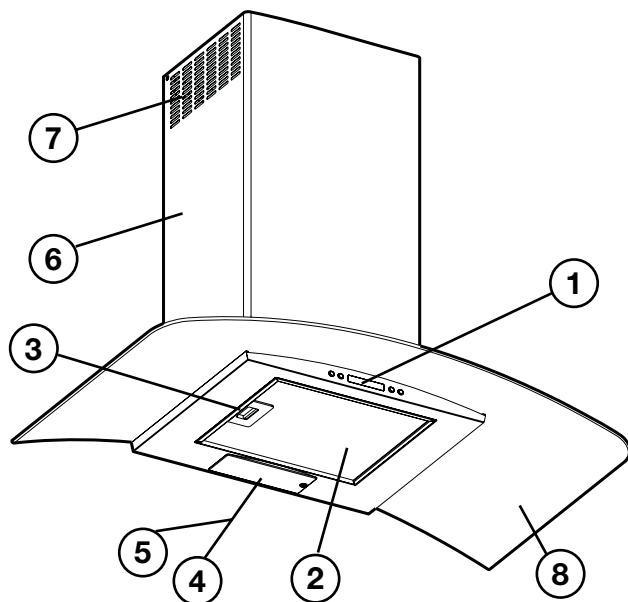
- To connect the "Neutral", joint by a wire nut the white wire (from the conduit) to the white wire from the junction box.
- To connect the "Line", joint by a wire nut the black wire (from the conduit) to the black wire from the junction box.
- To connect the "Ground", joint by a wire nut the Green Yellow wire (from the conduit) to the Green/Yellow wire from the junction box.
- Push wires into junction box.
- IMPORTANT: Be sure wires are not pinched
- Secure junction box cover with original screws.

### Mounting the duct cover

- Position the duct cover over the mounted hood.
- Slide the bottom of the duct into the glass area.
- Position the top of the duct over the duct mounting bracket. If a telescopic duct cover is used, grab the upper part of the telescopic duct cover, pull it and place it in the duct cover mounting bracket.
- Secure the top of the duct with 2 assembly screws provided.
- Secure the bottom of the duct with 2 assembly screws provided.



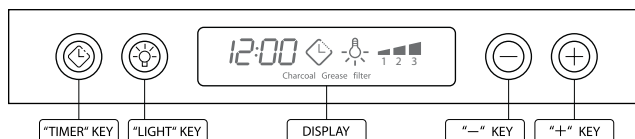
# Description of the hood & Controls



1. Control panel
2. Grease filter
3. Grease filter release Handle
4. Cover Lamp
5. Incandescent lamp (position and number of lamps may vary)
6. Duct cover
7. Duct cover grid
8. Glass canopy

## Control and features

This hood is equipped with an electronic motor and lamp control. The control is able to set 3 different fan speeds, turn ON/OFF light and has a timer function. In the following drawing are described the main key functions.



### 1. Timer Key

- The default timer setting is 10 minutes, and it can be adjusted between 20 minutes and 1 minute.
- After pressing the timer key, the control enters to a timer setup mode, and user can adjust the timer countdown time with the “-” and “+” keys within 5 seconds. The timer can be initiated immediately pressing the timer key, after setting the timer duration or pressing the timer key twice (default 10 minutes setting).
- If not action occurs within 5 seconds the countdown will start.
- During the timer setup the “-” and “+” keys are dedicated to the timer and no motor action will occur.
- Once initiated the timer, it can be cancelled by pressing the timer key again.

### 2. Light Key

- Press lamp key to turn ON the light (Lamp state previously OFF).
- Press lamp key to turn OFF the light (Lamp state previously ON).

### 3. Display

- Shows the hood settings.

### 4. “-” Key. Speed Decrease / OFF

- This key is used to decrease the fan speed, or turn OFF the fan.
- The fan will turn OFF if the “-” key is pressed and the hood was in the first speed.
- If the fan is at second speed and the “-” key is pressed, the fan will be set to first speed.
- If the fan is at third speed and the “-” key is pressed, the fan will be set to second speed.
- If the fan is OFF and the “-” key is pressed, the control backlight will light up.

### 5. “+” Key. Speed Increase / ON

- This key is used to increase the fan speed, or turn ON the fan.
- The fan will turn ON if the “+” key is pressed and the hood was OFF.
- If the fan is at first speed and the “+” key is pressed, the fan will be set to second speed.
- If the fan is at second speed and the “+” key is pressed, the fan will be set to third speed.
- If the fan is at third speed and the “+” key is pressed, a beep will sound.

## Special functions

### Clock programming

- The clock can be reprogrammed at any time except during an active timed function.

- The clock can be displayed in a twelve hour format and valid clock times are from 1:00 to 12:59.
- The clock can be reprogrammed pressing the “Timer” key for 5 seconds, and after, the clock can be adjusted with the “+” and “-” keys. Colon “:” will flash indicating clock programming mode.
- The user can have minute increments / decrements of 1 minute, but if the user keep pressing the “+”/“-” keys for more than 1 second, the increments / decrements will be of 5 minutes. During this option the control will round to the nearest 5 minutes.
- The user can finish on reprogramming the clock pressing the “timer” key.
- After 1 minute of no key pressed the control will accept the programmed clock time and will add one minute to the set clock.

#### Grease filter saturation alarm

- After thirty fan functional hours, the display will show “Grease Filter” if the fan is active. When this icon is shown in the display, the grease filters installed are required to be washed.
- To reset the grease filter saturation alarm the user must press the “+” key for 5 seconds, after this action the icon “grease filter” is not display, and the hood has the normal display operation.

#### Charcoal filter saturation alarm (Recirculating accessories)

- After one hundred and twenty functional hours of the fan, the display will show “Charcoal Filter” if the fan is active. When this icon flashes on display, the charcoal filters installed are required to be replaced or reactivated.
- To reset the grease filter saturation indication the user must press the “-” key for 5 seconds, after this time the icon “charcoal filter” is not display and the hood has the normal display operation.

#### Audible signal activation and deactivation

- The audible signals can be activated or deactivated pressing the “Light” key for 5 seconds.
- If the audible signal is activated, a tone must sound and the “Snd” symbol must appear on the display for 2 second.
- If the audible signal is deactivated, the “Snd” symbol must appear on the display for 2 second and no sound must sound.

#### Charcoal filter inclusion and exclusion (Recirculating accessories)

- The charcoal filter inclusion or exclusion can be set by pressing the “-” and “+” keys at the same time for 5 seconds.
- The Inclusion or exclusion of charcoal filter must be selected while the lamps and the motor are OFF.
- When the charcoal has been excluded, the charcoal filter alarm is disabled.

#### Heat sensor

- The control is equipped with a heat sensor that will turn on the blower at second speed if excessive heat occurs (over 70°C) surrounding the control area.
- If the blower is OFF or if it is operating at first speed, the blower will be set automatically to second speed.
- During this state, the user may raise the blower speed to third speed but can not decrease the speed.
- When the temperature level on the hood drops to normal, the blower will operate in the setting defined by the user before the alarm occurred.

## Metal grease filter maintenance

The metal filter traps grease released by foods on the cook-top. The filter must always be installed when the hood is operating / used.

#### To remove:

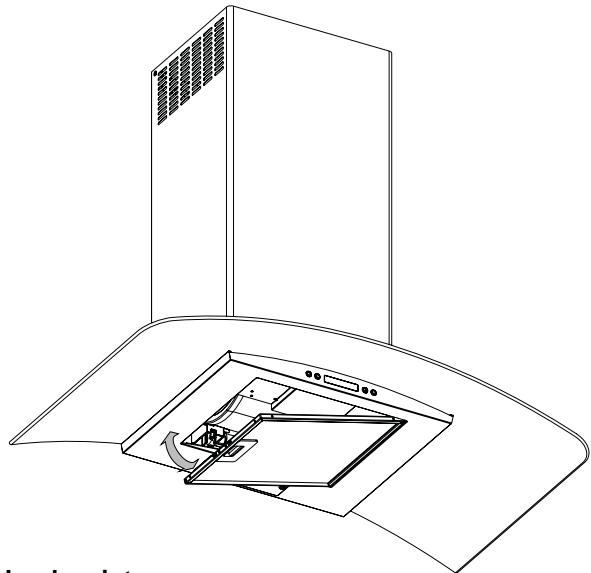
- Push the filter lock / pivot in direction to the center of the filter.
- Once the pivot is pushed pull down the filter slowly.

#### To replace:

- Insert the filter tabs into the slots
- Push the filter lock / pivot in direction to the center of the filter.
- Once the pivot is pushed, raise the filter slowly until the top and release the pivot.

#### To clean:

- Swish the filter in hot soapy water and rinse in clean water or wash it in the dish washer.
- Do not use abrasive cleaners.

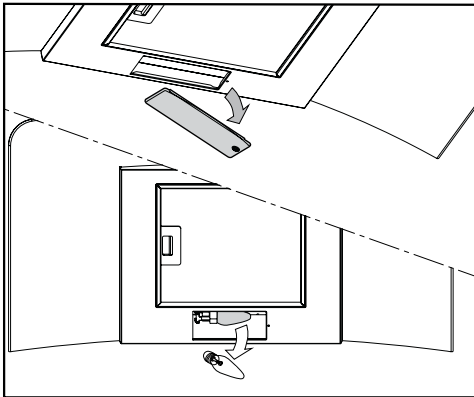
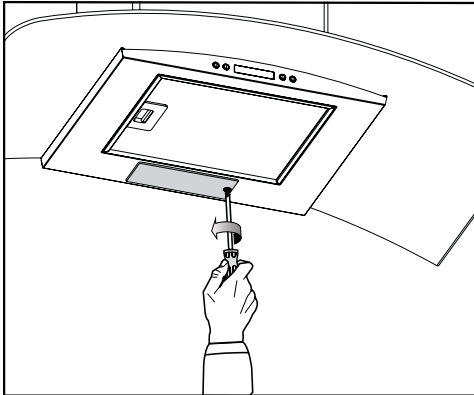


#### Hood maintenance

- Clean with a damp, soapy cloth and dry with a clean cloth. A glass cleaner may also be used.  
ATTENTION: Do not wet the control panel.
- Do not use a steel wool pad; it will scratch the surface.
- To clean the stainless steel surface, use warm sudsy water, stainless steel cleaner or polish. Always wipe the surface in the direction of the grain. Follow the cleaner instructions for cleaning the stainless steel surface.

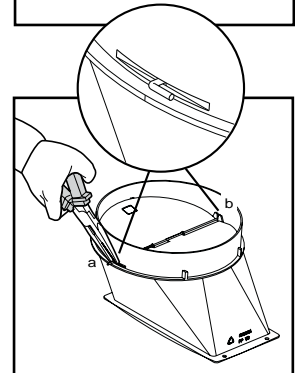
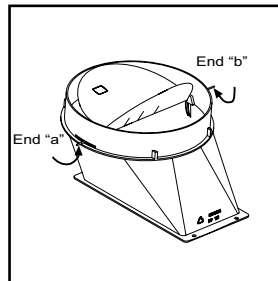
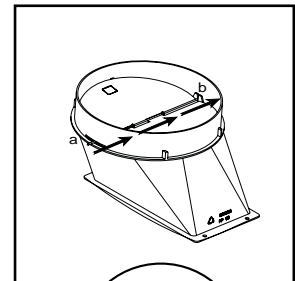
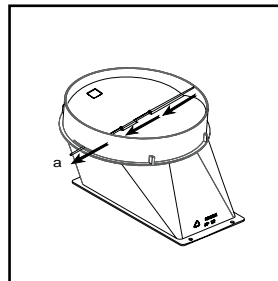
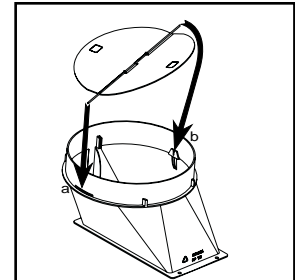
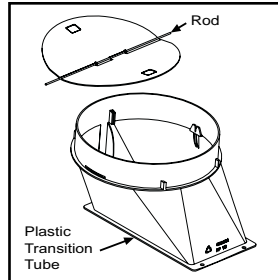
### Lamp bulb maintenance

- Use a Phillips # 2 screw driver to remove the lamp cover. Remove it carefully from its housing.
- Remove the damaged lamp bulb (turn counter clockwise) and replace it with a new bulb. E12 Philips Lamp 120V, 40W.



### Non-return valve installation (Recirculating accessories)

- Insert end "a" of the rod into the "plastic transition tube", pushing outwards until it crosses the material (plastic transition tube) with a little force.
- Place end "b" of the rod into the "plastic transition tube". Push outwards until it crosses the material (plastic transition tube) with a little force, the rod must be symmetrical from both sides.
- With the pliers bend both ends of the rod, towards the "plastic transition tube".

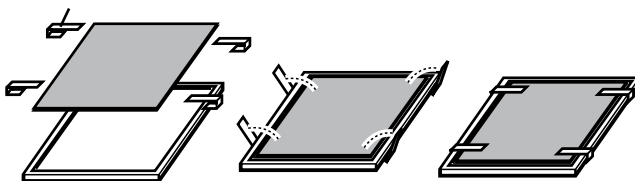


## Available Accesories

### Charcoal filter placement (Recirculating accessories)

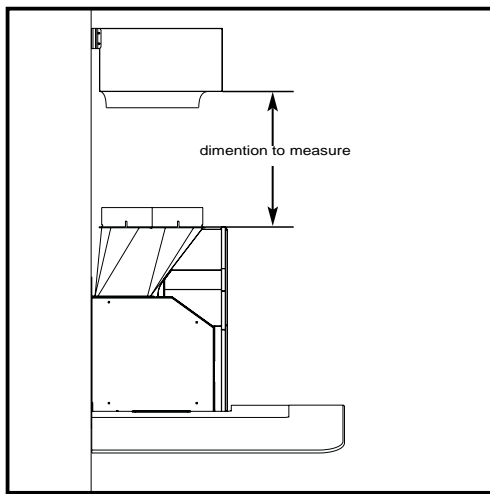
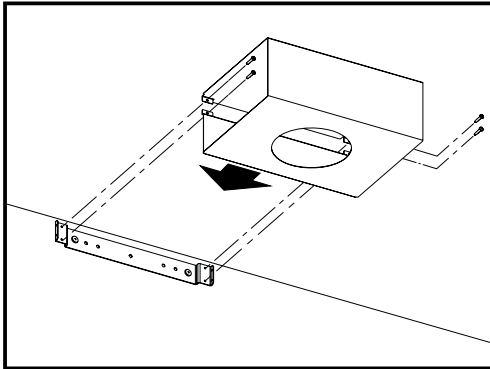
Fit the charcoal filter mattress on the upper side of each grease filter. Use provided springs to fix it in place.

**Note:** When removing for replacing for a new one do not remove Fixing Springs, simply pull out one rotating outwards.

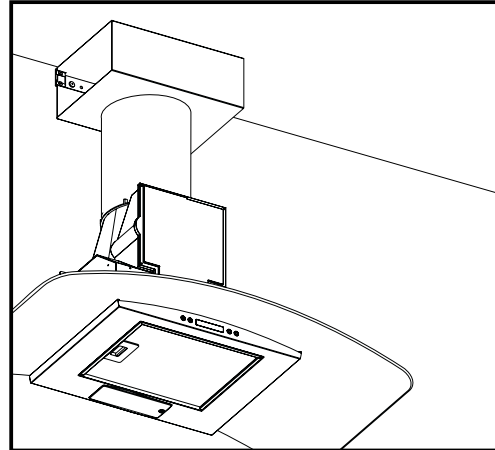


### Air deflector installation (Recirculating accessories)

Assemble the air deflector with the duct cover bracket with 4 assembly screws provided as shown. Measure from the bottom of the air deflector to the bottom of the hood outlet, as shown.



Cut the duct at the measured size. Uninstall the air deflector removing the 4 assembly screws. Slip the duct onto the bottom of the deflector. Place the assembled deflector and duct over the exhaust outlet from the hood. Assemble the air deflector to the duct cover bracket with 4 assembly screws provided as shown.



### Telescopic duct cover Kit

For telescopic duct cover installation refer to Installation Instructions section (option B - telescopic duct cover and Mountig duct cover).

# TROUBLESHOOTING

Issue	Potential Causes	Recommended Actions
After installation, the unit doesn't work?	The power source is not turned ON.	Make sure the circuit breaker and the unit's power is ON.
	The power line and the cable locking connector is not connecting properly.	Check the power connection with the unit is connected properly.
	The switch board and control board wirings are disconnected.	Make sure the wirings between the switch board and control board are connected properly.
	The switch board or control board is defective.	Change the switch board or control board.
Light works, but motor is not turning.	The thermally protected system detects if the motor is too hot to operate and shuts the motor down.	The motor will function properly after the thermally protected system cool down.
The unit is vibrating.	The motor is not secure in place.	Tighten the motor in place.
	Damaged blower wheel.	Change the blower wheel.
	The hood is not secured in place.	Check the installation of the hood.
The motor is working, but the lights are not.	Defective incandescent bulb.	Change the incandescent bulb.
	The light bulb is loose.	Tighten the light bulb.
The hood is not venting out properly.	The hood might be hanging to high from the cook top.	Adjust the distance between the cook top and the bottom of the hood within 24" and 30" range.
	The wind from the opened windows or opened doors in the surrounding area are affecting the ventilation of the hood.	Close all the windows and doors to eliminate the outside wind flow.
	Blocking in the duct opening or ductwork.	Remove all the blocking from the duct work or duct opening.
	the direction of duct opening is against the wind.	Adjust the duct opening direction.
	Using the wrong size of ducting.	Change the ducting to at least 8" or higher.
Metal filter is vibrating	Metal filter is loose.	Change the metal filter.

## **Warranty**

# **ELICA North America**

## **TWO-YEARS LIMITED WARRANTY**

### **TO OBTAIN SERVICE UNDER WARRANTY**

Owner must present proof of original purchase date. Please keep a copy of your dated proof of purchase (sales slip) in order to obtain service under warranty.

### **PARTS AND SERVICE WARRANTY**

For the period of two (2) years from the date of the original purchase, Elica will provide free of charge, non consumable parts or components that failed due to manufacturing defects. During these two (2) years limited warranty, Elica will also provide free of charge, all labor and in-home service to replace any defective parts.

### **WHAT IS NOT COVERED**

- Damage or failure to the product caused by accident or act of God, such as, flood, fire or earthquake.
- Damage or failure caused by modification of the product or use of non-genuine parts.
- Damage or failure to the product caused during delivery, handling or installation.
- Damage or failure to the product caused by operator abuse.
- Damage or failure to the product caused by dwelling fuse replacement or resetting of circuit breakers.
- Damage or failure caused by use of product in a commercial application.
- Service trips to dwelling to provide use or installation guidance.
- Light bulbs, metal or carbon filters and any other consumable part.
- Normal wear of finish.
- Wear to finish due to operator abuse, improper maintenance, use of corrosive or abrasive cleaning products/pads and oven cleaner products.

### **WHO IS COVERED**

This warranty is extended to the original purchaser for products purchased for ordinary residential use in North America (Including the United States, Guam, Puerto Rico, US Virgin Islands & Canada).

This warranty is non-transferable and applies only to the original purchaser and does not extend to subsequent owners of the product. This warranty is made expressly in lieu of all other warranties, expressed or implied, including, but not limited to any implied warranty of merchantability or fitness for a particular purpose and all other obligations on the part of Elica North America, provided, however, that if the disclaimer of implied warranties is ineffective under applicable law, the duration of any implied warranty arising by operation of law shall be limited to two (2) years from the date of original purchase at retail or such longer period as may be required by applicable law.

This warranty does not cover any special, incidental and/or consequential damages, nor loss of profits, suffered by the original purchaser, its customers and/or the users of the Products.

### **WHO TO CONTACT**

To obtain Service under Warranty or for any Service Related Question

Please Call:

- Elica North America Authorized Service at (888) 732-8018

Or by Writing To:

- Elica North America, Attention Customer Service, 222 Merchandise Mart Plaza  
Suite 947, Chicago, IL 60654 USA  
infoamericas@elica.com

# Français

## Sommaire

<b>Avis de sécurité important.....</b>	<b>17</b>
<b>Exigences électriques et exigences d'installation .....</b>	<b>18</b>
Exigences électriques .....	18
Avant d'installer la hotte.....	18
<b>Liste des pièces .....</b>	<b>19</b>
Pièces fournies.....	19
Pièces non fournies.....	19
<b>Dimensions du produit.....</b>	<b>19</b>
<b>Mesures Conduits.....</b>	<b>20</b>
<b>Préparation de l'installation.....</b>	<b>20</b>
Montage de l'étrier couvrent conduit.....	21
Conduit sur le plafond / mur .....	21
<b>Installation .....</b>	<b>22</b>
Installation de la hotte.....	22
Connexion électrique.....	23
<b>Description de la hotte et des commandes .....</b>	<b>24</b>
Commandes.....	24
<b>Entretien .....</b>	<b>25</b>
<b>Accessoires disponibles.....</b>	<b>26</b>
<b>Dépannage.....</b>	<b>28</b>
<b>Garantie .....</b>	<b>29</b>

**APPROUVÉ POUR LES APPAREILS DE TYPE RÉSIDENTIEL  
POUR UNE UTILISATION RÉSIDENTIELLE SEULEMENT  
LISEZ CES INSTRUCTIONS ET CONSERVEZ-LES**

**VEUILLEZ LIRE CES INSTRUCTIONS AU COMPLET AVANT DE COMMENCER.**

**L'INSTALLATION DE L'APPAREIL DOIT RESPECTER TOUS LES CODES EN VIGUEUR.**

**IMPORTANT : Conservez ces instructions afin de pouvoir les remettre à l'inspecteur-électricien de votre région.**

**INSTALLATEUR : Veuillez laisser ces instructions avec l'appareil pour le propriétaire.**

**PROPRIÉTAIRE : Veuillez conserver ces instructions pour pouvoir vous y référer plus tard.**

**Avertissement de sécurité : Coupez l'alimentation du circuit dans le panneau électrique et verrouillez le panneau avant de raccorder les fils de cet appareil.**

**Exigence : 120 V c.a., 60 Hz circuit de dérivation de 15 V c.a., 20 Hz, de 15 ou 20 A.**



# LISEZ CES INSTRUCTIONS ET CONSERVEZ-LES

## Avis de sécurité important

### ATTENTION

UTILISER CET APPAREIL À DES FINS DE VENTILATION GÉNÉRALE SEULEMENT. NE PAS UTILISER CET APPAREIL POUR ÉVACUER DES MATÉRIAUX OU DES VAPEURS DANGEREUX OU EXPLOSIFS.

### AVERTISSEMENT

POUR RÉDUIRE LES RISQUES D'INCENDIE, DE CHOC ÉLECTRIQUE ET DE BLESSURE, RESPECTER LES DIRECTIVES SUIVANTES :

- A. Utiliser cet appareil uniquement aux fins prévues par le fabricant. Si vous avez des questions à propos de l'appareil, communiquez avec le fabricant.
- B. Avant de faire l'entretien de l'appareil ou de le nettoyer, coupez l'alimentation dans le panneau électrique et verrouillez le panneau en bloquant le dispositif permettant d'empêcher d'activer l'alimentation accidentellement. S'il n'est pas possible de verrouiller l'accès au panneau, fixez une étiquette très voyante au panneau électrique.
- C. Une personne qualifiée doit effectuer l'installation et le câblage des fils électriques en conformité avec tous les codes et toutes les normes, y compris la cote de résistance au feu.
- D. Il est important de prévoir suffisamment d'air pour assurer une bonne combustion de l'équipement de chauffe et l'évacuation adéquates des gaz par le conduit de cheminé afin de prévenir les refoulements d'air. Respectez les directives et les normes de sécurité des fabricants de l'équipement de chauffage, comme celles publiées par la National Fire Protection Association (NFPA), la American Society for Heating, Refrigeration and Air Conditioning Engineers (ASHRAE) et le code des autorités de votre région.
- E. Au moment de couper ou de percer un mur ou un plafond, assurez-vous de ne pas endommager la filerie électrique ou tout autre accès à un service public.
- F. Il faut toujours évacuer à l'extérieur les systèmes à conduit.

### ATTENTION

Pour réduire les risques d'incendie et évacuer l'air correctement, assurez-vous que le conduit mène à l'extérieur; il ne faut pas évacuer l'air dans l'espace entre les murs, dans les plafonds, dans les greniers, les vides sanitaires ou les garages.

### AVERTISSEMENT

POUR RÉDUIRE DES RISQUES D'INCENDIE, UTILISEZ UNIQUEMENT DES CONDUITS EN MÉTAL.

Installez cette hotte en respectant toutes les exigences mentionnées.

### AVERTISSEMENT

Pour réduire les risques d'incendie et de choc électrique, n'utilisez pas cette hotte avec un contrôleur de vitesse à semi-conducteurs.

### AVERTISSEMENT

POUR RÉDUIRE LES RISQUES D'INCENDIE DE GRAISSE SUR LES CUISINIÈRES.

- a) Ne laissez jamais la cuisinière sans surveillance lorsqu'elle est réglée à une haute température. Les débordements par bouillonnement causent de la fumée et des débordements de gras qui peuvent s'enflammer. Faites chauffer l'huile lentement, à une température basse ou moyenne.
- b) Faites toujours fonctionner la hotte lorsque vous utilisez la cuisinière à une haute température ou que vous faites flamber des aliments (P. ex. : crêpes Suzette, cerises jubilé, boeuf au poivre flambé).
- c) Nettoyez les hélices de ventilation fréquemment. Il ne faut pas que la graisse s'accumule sur les filtres ou les hélices.
- d) Utilisez le bon format de casserole. Utilisez toujours un chaudron de taille approprié à l'élément de la cuisinière.

### AVERTISSEMENT

POUR ÉVITER DE BLESSER QUELQU'UN LORS D'UN INCENDIE DE GRAISSE SUR LA CUISINIÈRE, SUIVRE LES CONSEILS SUIVANTS :<sup>a</sup>

- a) ÉTOUFFER LES FLAMMES avec un couvercle aux dimensions de la tache de cuisson, une tôle à biscuit ou tout autre plateau métallique, puis couper le gaz ou l'alimentation électrique de la cuisinière. FAIRE ATTENTION A NE PAS SE BRÛLER. Si les flammes ne s'éteignent pas immédiatement, QUITTER LA PIÈCE ET APPELER LES POMPIERS.
- b) NE JAMAIS PRENDRE EN MAIN UNE CASSEROLE EN FEU, vous pourriez vous blesser.
- c) NE PAS UTILISER D'EAU, y compris les essuies de vaisselle ou les serviettes humides – une violente explosion due à la vapeur formée pourrait survenir.
- d) Utiliser un extincteur SEULEMENT si:
  - 1) Vous êtes sûr d'avoir un extincteur de classe ABC que vous savez utiliser.
  - 2) Le feu est petit et confiné à la zone où il s'est formé.
  - 3) Les pompiers ont été appelés.
  - 4) Vous pouvez lutter contre le feu avec une sortie derrière vous.

<sup>a</sup>Recommandations tirées des conseils de sécurité en cas d'incendie de cuisine publiés par la NFPA.

### MODE OPÉRATOIRE

- a. Toujours laisser les grilles de sécurité et les filtres à leur place. Sans la présence de ces derniers, les parties aspirantes pourraient attirer les cheveux, les doigts ou les vêtements.

Le fabricant décline toute responsabilité si les informations détaillées dans ce manuel pour l'installation, l'entretien et l'utilisation adéquate du produit ne sont pas observées. Le fabricant décline en outre toute responsabilité pour d'éventuelles blessures dues à des négligences; en outre, la garantie de l'appareil sera annulée suite à des conditions d'entretien inappropriées. Cet appareil est fabriqué pour un usage interne. Ne pas utiliser cet appareil à l'extérieur.

# Exigences électriques et exigences d'installation

## Exigences électriques

### IMPORTANT

Respectez tous les codes et les ordonnances en vigueur.

Le client a la responsabilité de :

Contactez un électricien-installateur.

Vérifier que l'installation électrique est adéquate et conforme avec le Code national de l'électricité, ANSI/NFPA 70 (la plus récente édition\*), ou les normes C22.1-94, Code canadien de l'électricité, Partie 1 et C22.2 No.0-M91 (La plus récente édition\*\*) de la CSA, ainsi que tous les codes et les ordonnances de votre région.

Si le code le permet et que vous utilisez un fil de mise à la terre distinct, il est recommandé de faire vérifier le chemin du fil par un électricien.

Ne pas mettre l'appareil à la terre sur une conduite de gaz. Consultez un électricien qualifié si vous n'êtes pas certain que la hotte est mise à la terre correctement. N'installez pas un fusible dans le circuit neutre ou le circuit de mise à la terre.

### IMPORTANT

Conservez ces instructions afin de pouvoir les remettre à l'inspecteur-électricien.

La hotte doit être câblée uniquement à l'aide de fils de cuivre.

Il faut raccorder la hotte directement à une boîte à fusible ou à un disjoncteur par l'entremise d'une canalisation électrique en métal.

Le calibre de fil doit être conforme aux exigences du Code national de l'électricité, ANSI/NFPA 70 (La plus récente édition\*), ou les normes C22.1-94, Code canadien de l'électricité, Partie 1 et C22.2 0-M91 (La plus récente édition\*\*) de la CSA, ainsi que tous les codes et les ordonnances de votre région.

Il faut prévoir un connecteur de canalisation approuvé par l'UL ou la CSA à chaque extrémité de la canalisation d'alimentation (À la hotte et à la boîte de jonction).

Vous pouvez obtenir un exemplaire des normes indiquées en vous adressant à :

\* La National Fire Protection Association, Batterymarch Park  
Quincy, Massachusetts, 02269

\*\* La CSA International, 8501 East Pleasant Valley Road,  
Cleveland, Ohio, 44131-5575

## Avant d'installer la hotte

1. Pour assurer la ventilation la plus efficace possible, installez la conduite en ligne droite ou avec le moins de coudes possibles.  
ATTENTION : La sortie de la conduite de ventilation doit donner sur l'extérieur.
2. Deux personnes sont nécessaires pour effectuer l'installation.
3. La quincaillerie fournie permet de fixer la hotte à la plupart des murs et des plafonds; consultez un installateur qualifié pour vous assurer que la quincaillerie fournie est adaptée à votre type de mur ou d'armoire.
4. N'utilisez pas de conduit flexible.
5. Dans le cas des endroits sujets aux TEMPÉRATURES FROIDES, il faut installer un clapet de contre-tirage supplémentaire afin de minimiser le retour d'air froid et un isolant thermique non métallique afin de minimiser la conduction de la température extérieur dans le conduit. Il faut placer le clapet du côté de l'air froid de l'isolant thermique. L'isolant doit être placé le plus près possible de l'endroit où le conduit entre dans la partie chauffée de la maison.
6. Air d'appoint : Le code du bâtiment de votre région peut exiger l'utilisation d'un système d'air d'appoint si vous utilisez un système de ventilation à conduit dont le mouvement d'air dépasse un certain nombre de CFM. Le nombre de pi<sup>3</sup>/min varie d'une région à l'autre. Consultez un professionnel de CVC pour connaître les exigences précises de votre région.

# Liste des pièces

## Pièces fournies

Enlever l'emballage

### ATTENTION

Enlever délicatement le carton, Porter des gants pour se protéger des bords coupants.

ATTENTION: Retirez soigneusement la verrière de la boîte et le mettre sur un surface lisse sans danger.  
Saisir la structure de la hotte du corps et soulevez-la case.  
Enlevez et jetez tous les cartons et emballages plastiques contenus dans le paquet.  
Enlever les parties hors de la boîte, conduits et autres contenus.

- Auvent de hotte avec ventilateur, raccord de transition, ampoule et partie en verre de la hotte installés
- Filtre à graisse métallique
- Bride de support du cache-conduit
- Gabarit de montage
- Cache-conduit - 2 pièces
- 4 vis de 4 x 8 mm
- 6 vis de montage de 5 x 45 mm
- 2 chevilles d'ancrage mural de 8 x 40 mm

## Pièces non fournies

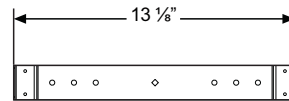
### Tools/Materials required

- Niveau
- Perceuse avec des forets de 1/4" (3 cm), 1/8" (3,2 mm) et 5/16" (7,9 mm)
- Crayon
- Pince à dénuder ou couteau utilitaire
- Mètre-ruban ou règle
- Pince
- Pistolet à calfeutrage et composé de calfeutrage résistant aux intempéries
- Brides de conduit
- Scie sauteuse ou scie à guichet
- Tournevis à lame plate
- Cisaille de ferblantier
- Tournevis Phillips
- Ensemble de clés Allen (système métrique)
- Câble d'alimentation électrique du domicile
- Serre-câble de 1/2" (12,7 mm) (homologation UL ou CSA)
- 3 connecteurs de fils homologués UL

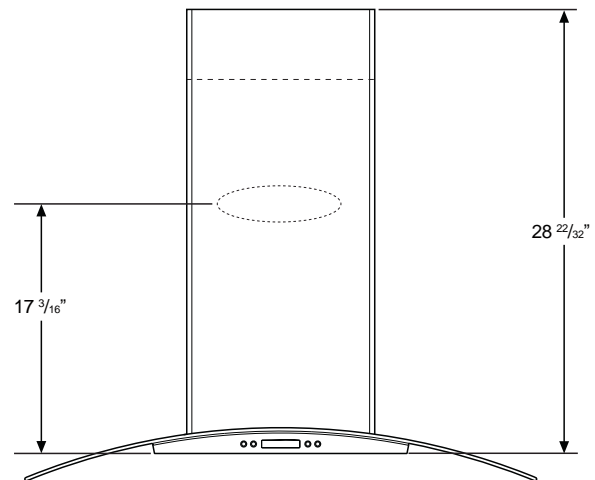
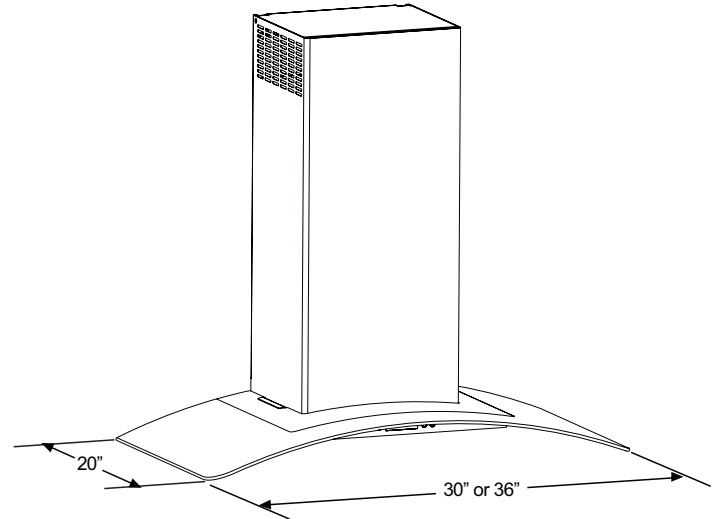
### Accessoires

Ensemble de recyclage	REC DEKOR
Ensemble Filtre à charbon	CHF KIT DEKOR
Ensemble Extension del Conduit	TEL DEKOR
Ensemble Clapet anti-retour	NRV DEKOR

## Bride de cache-conduit



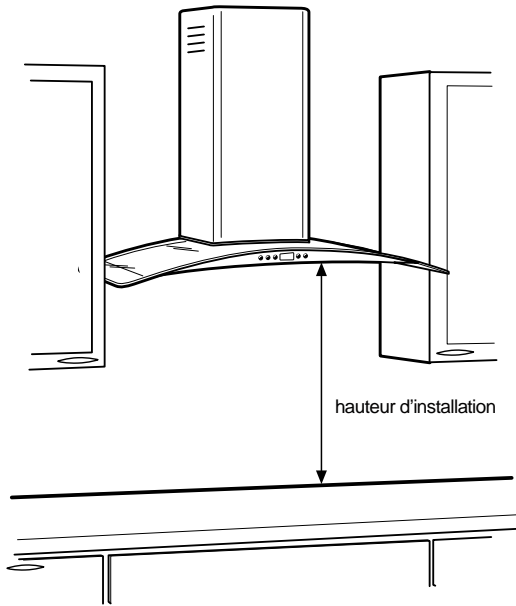
## Dimensions du produit



La hotte doit être installée au-dessus de la surface de cuisson à 30 "si une cuisinière à gaz est utilisé ou de 24" à 30 "si une cuisinière électrique est utilisé.

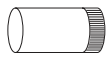
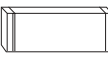


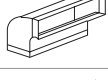
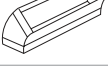


Si le client a besoin que le couvercle du conduit atteint de 8 "à 10" de hauteur des plafonds, puis un accessoire supplémentaire télescopiques couvrent conduit est nécessaire.

Cette hotte peut être installée sur toute table de cuisson électrique et gaz / large. Il ne peut pas être installé sur n'importe quel professionnel plaque de cuisson / plage.



Hauteur d'installation: 30" table de cuisson gaz / large ou 24" à 30" table de cuisson électrique / plage.  
Le hotte peut être installé sur un mur et ventilés à l'extérieur, ou il peut être installé pour le fonctionnement de recirculation (recirculation d'accessoires non fournis avec la hotte).

## Mesures Conduits

Pièces de conduit		Longueur x Nombre utilisé		Total
	8" circ., droit	1 pi	x ( ) =	pi
	3/4" x 10" rect., droit	1 pi	x ( ) =	pi
	8" circ., coude à 90°	15 pi	x ( ) =	pi
	8" circ., coude à 45°	8 pi	x ( ) =	pi
	3/4" x 10" rect., coude à 90°	11 pi	x ( ) =	pi
	3/4" x 10" rect., coude à 45°	6 pi	x ( ) =	pi
	3/4" x 10" rect., coude plat à 90°	24 pi	x ( ) =	pi
	8" circ. à rect. de 3/4" x 12"	1 pi	x ( ) =	pi


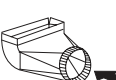
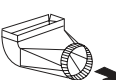
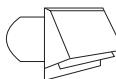
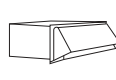

## Préparation de l'installation

### La planification préalable

- Déterminer l'emplacement exact de la hotte.
- Plan de l'itinéraire pour la ventilation d'échappement à l'extérieur.
- Utilisez le chemin conduit le plus court et le plus droit possible, pour satisfaisante courir conduit la performance ne doit pas dépasser. Longueur équivalente 100" pour toutes les configurations du conduit.
- Reportez-vous au "Conduit Raccords" tableau pour calculer le maximum longueur autorisée pour gaine fonctionne à l'extérieur.
- Installez un capuchon de mur avec amortisseur ou de toit à l'extérieur ouverture. Commander le capuchon de mur ou de toit et toute transition nécessaire à l'avance.
- Utilisez 8" conduits en métal ronde seulement.

### L'ossature du mur d'un soutien adéquat

- Cette hotte est lourde. Structure adéquate et un soutien doivent être fournis dans tous les types d'installations.
- Si vous montez sur le mur sec, la hotte doit être sécurisé à montants verticaux dans le mur, ou à un support horizontal.
- La hotte doit être sur place avant de cadrage final et mur de finition. Cela aidera à localiser avec précision les travaux conduits et de service électrique.
- L'installation sera plus facile si la hotte est installée avant que le cuisinier-dessus et le comptoir sont installés.

Pièces de conduit		Longueur x Nombre utilisé		Total
	3/4" x 10" rect. à circ. de 6"	8 pi	x ( ) =	pi
	6" circ. à rect. de 3/4" x 10", coude à 90°	16 pi	x ( ) =	pi
	3/4" x 10" rect. à circ. de 6" coude à 90°	17 pi	x ( ) =	pi
	3/4" x 10" embout mural circ./registre	30 pi	x ( ) =	pi
	3/4" x 10" embout mural rect./registre	30 pi	x ( ) =	pi
	7" - 10" circ., chapeau de toiture	26 pi	x ( ) =	pi
Total du conduit				

**Conduit d'aération:** Utilisez ce tableau pour calculer des longueurs maximales admissibles pour les conduits et à l'extérieur.

**AVERTISSEMENT:** Ne pas dépasser maximale admissible longueurs équivalentes!

### Conduits flexibles:

Si des conduits métalliques flexibles est utilisé, toutes les valeurs de l'équivalent pieds dans le tableau devrait être doublé. Le conduit métallique flexible doit être droite et lisse et prolongée autant que possible.

**NE PAS** utiliser des conduits en plastique.

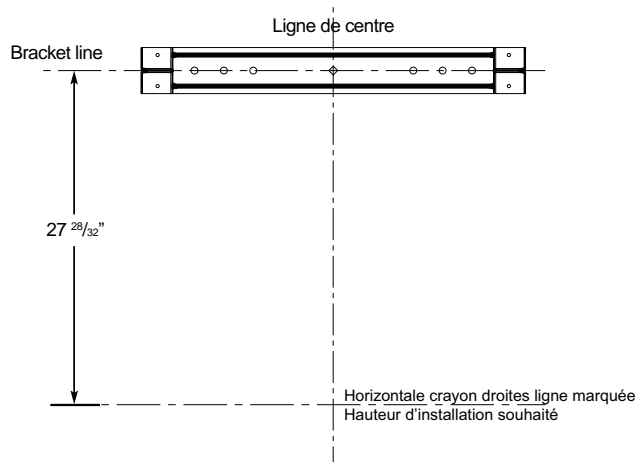
**REMARQUE:** Tout système de ventilation à domicile, comme une hotte de ventilation, peut interrompre le bon écoulement de l'air de combustion et d'échappement requis par les cheminées, fours à gaz, chauffe-eau à gaz et autres systèmes naturellement ventilés. Pour minimiser les risques d'interruption de ces systèmes naturellement ventilés, suivre les directives du fabricant d'équipements de chauffage et les normes de sécurité telles que celles publiées par la NFPA et ASHERAE.

Cette hotte doit utiliser un 8" conduit rond.

## Montage de l'étrier couvrent conduit

### Option A - Correction couvrent conduit la hauteur

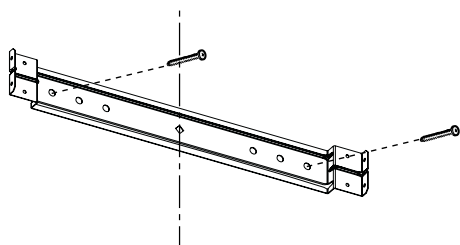
- De la ligne horizontale tracée dans la section précédente, tracer une ligne horizontale parallèle comme illustré ci-dessous.
- Centrer le support de la ligne horizontale supérieure et l'aligner avec la ligne médiane, comme décrit dans le dessin suivant.



Mark vis endroits des trous dans le mur.

**IMPORTANT. Assurez-vous que les emplacements des trous sont nivelées, et correctement centré par l'axe vertical. (Cette instruction s'applique pour l'installation murale de béton).**

- Percez des trous 5/16" aux emplacements marqués.
- Installez des ancrés de fixation murale.
- Disque de vis à bois, à la main, dans les fixations pour permettre ancrés à se développer. Retirez les vis.
- Fixez le support au mur avec des vis à bois et / ou attaches.

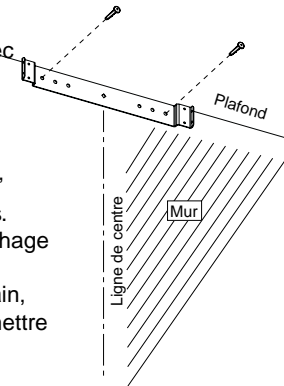


### Option B - télescopique couvrent conduit

- Le support de gaine doit être installée contre le mur arrière et rincer avec le plafond. Ce support tiendra le conduit couvercle en place au sommet (ce qui d'un accessoire supplémentaire disponible pas inclus avec la hotte).

### Attacher les équerres au mur:

- Aligner les lignes médianes tracées sur les équerres avec les lignes médianes sur le mur.
- Indiquer les 2 trous pour les vis sur le mur.
- Forer des trous pilotes de 5/16" sur les emplacements indiqués.
- Placer les attaches d'accrochage au mur.
- Visser les vis à bois, à la main, dans les attaches pour permettre aux crochets de se dilater. Enlever les vis.
- Attacher l'équerre dans le mur à l'aide des vis à bois et/ou des attaches.



### Conduits sur le plafond

#### Si l'air s'écoule directement au plafond

- Utilisez un niveau pour tracer une ligne droite en place, à partir de la ligne médiane sur le modèle du plafond.
- Mesurer au moins 4 - 12/16" du mur arrière au centre du cercle d'un 8 - 1/2" trou au plafond.

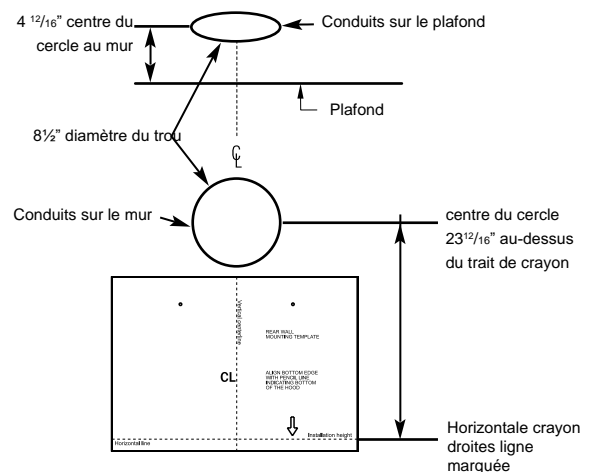
### Conduits sur le mur

#### Si l'air s'écoule directement à l'arrière:

- Utilisez un niveau pour tracer une ligne droite jusqu'à la ligne médiane à partir du modèle.
- Mesurer au moins 23 - 12/16" (le dependig mesure peut varier sur le coude utilisé) Au-dessus du trait de crayon Indique que la hauteur d'installation en bas, au centre du cercle d'un 8 - 1/2" dia. trou du conduit (trou peut être a longée pour le coude du conduit).

### Emplacement del câblage sur le Maison

- La boîte électrique est situé sur le côté supérieur gauche de la hotte.
- Le câblage doit entrer dans le mur arrière d'au moins 20" au-dessus du bas de la hauteur d'installation, et au sein 5-7/8" et 4-7/8" du côté gauche de l'axe.
- Utiliser pour l'installation 1/2" de taille commerciale UL conduit métallique cotées.

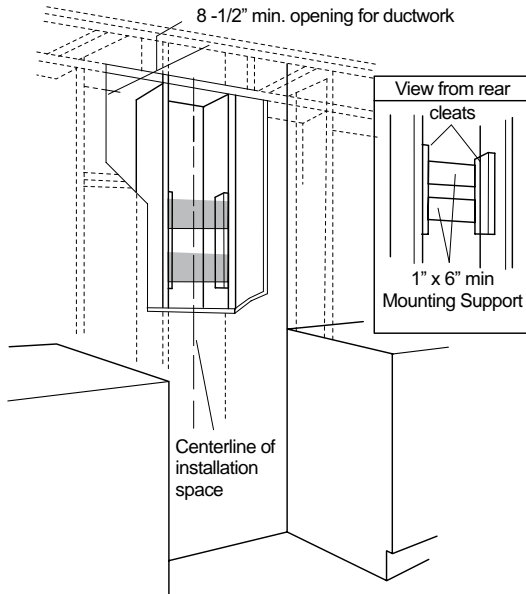


## Installez encadrement pour support de la hotte

- Si placoplâtre est présent, marquer l'emplacement des trous de vis. Retirer le gabarit.
- Coupez le placoplâtre assez pour exposer deux montants verticaux à l'endroit indiqué par les trous du gabarit. Installez deux supports horizontaux au moins 4" x 2" entre les deux montants du mur à trous de montage inférieur emplacement d'installation.
- Le support horizontal doit être aligné avec la salle côté des pot aux.  
Utiliser des taquets derrière les deux côtés de l'appui à sécurisé aux montants du mur.
- Réinstaller les placoplâtres et de finition.

### IMPORTANT

Encadrement doit être capable de supporter 100 lbs.



## Installation de la hotte (s'applique à mur de béton)

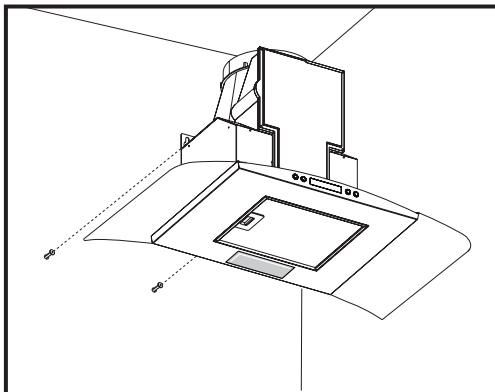
**AVERTISSEMENT:** Utiliser deux ou plus de personnes pour déplacer et installer la hotte de la cuisinière.

- Placer le gabarit sur le mur le long de la ligne horizontale, s'assurer que le gabarit est à niveau et centré sur la ligne de centre.

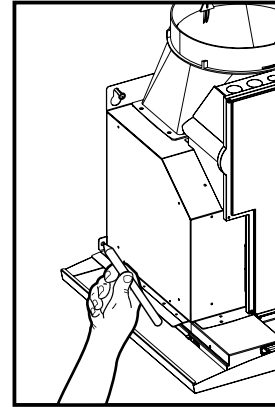
- Indiquer les emplacements des vis "supérieures" dans le mur.

**IMPORTANT:** Vérifier que tous les emplacements des trous sont à niveau et correctement centrés sur la ligne de centre verticale.

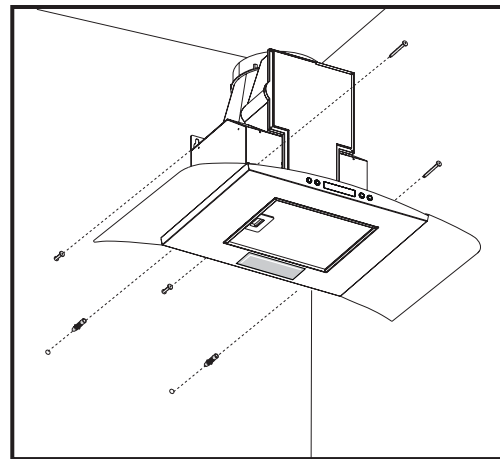
- Visser les vis en bois "supérieures" à la main. Laisser une distance de 1/4" entre la tête de la vis et le mur.
- Retirez le filtre à graisse et placer la hotte sur les vis "supérieures".



- Indiquer les emplacements des vis à bois "inférieures" sur le mur en utilisant un crayon.

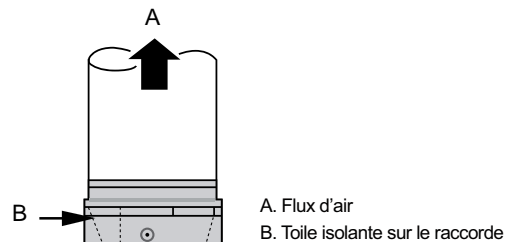


- Enlever la hotte.
- Visser les vis en bois "inférieures" à la main. Enlever les vis.
- Placer la hotte dans les vis "supérieures".
- Visser et serrer les vis à bois "supérieures" à la main.
- Visser et serrer les vis à bois "inférieures" à la main.



## Raccorder le conduit

- Installer le conduit, effectuer les raccords dans la direction du flux d'air comme illustré.
- Pousser le conduit dans la sortie d'évacuation.
- Recouvrir tous les joints des conduits et les raccords à la bride avec de la toile isolante pour une fermeture hermétique.
- Effectuer la même opération pour le raccordement à l'évacuation dans le mur ou dans le plafond.



## Effectuer les connexions électriques

### AVERTISSEMENT:

#### Danger de choc électrique

Avertissement: couper l'alimentation à la boîte à fusible avant de raccorder cette unité.

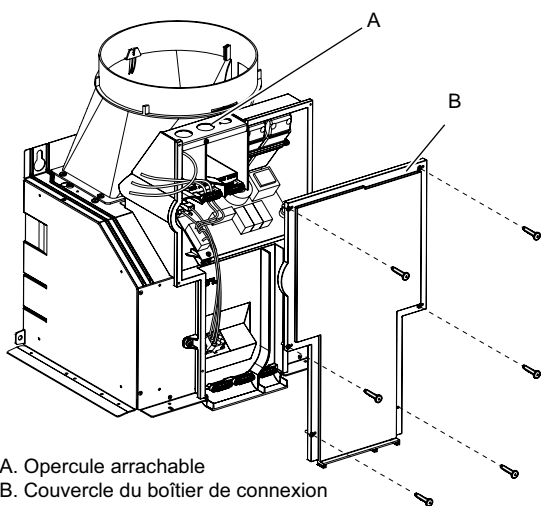
Circuit de 120 v ac, 15 ou 20 amp requis.

### INSTRUCTIONS RACCORDEMENT ELECTRIQUE A LA TERRE.

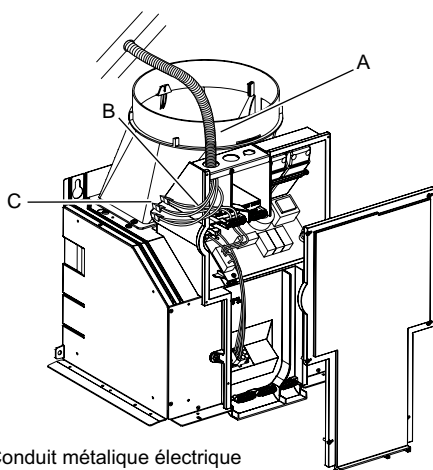
CET APPAREIL FONCTIONNE AVEC UNE BOITE DE CONNEXION A TROIS FILS, LE FIL DE LA COULEUR VERT / JAUNE SERT POUR RACCORDER L'APPAREIL A LA TERRE. POUR VOUS PROTEGER D'UN EVENTUEL CHOC ELECTRIQUE, LE FIL JAUNE ET VERT DOIT ETRE RELIE AU FIL DE LA TERRE DANS VOTRE CIRCUIT ELECTRIQUE, ET NE DOIT ETRE COUPE OU ENLEVE SOUS AUCUN PRETEXTE.

Ne pas suivre ces instructions peut résulter en un choc électrique et en la mort.

- Enlever le couvercle de la boîte de connexion du côté supérieur gauche.



- Fixez le conduit métallique électrique à la boîte électrique par le raccord conduit UL.

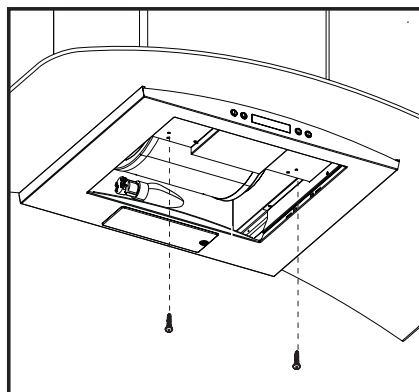
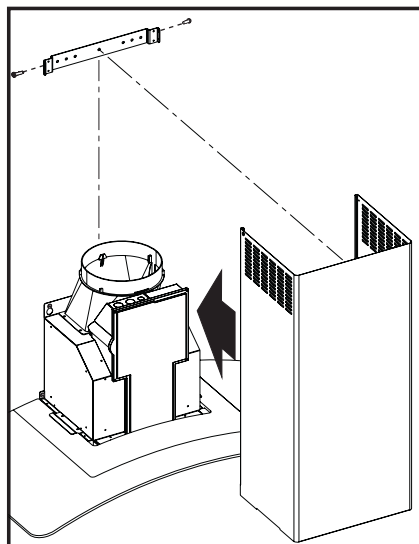


### Connexions électriques:

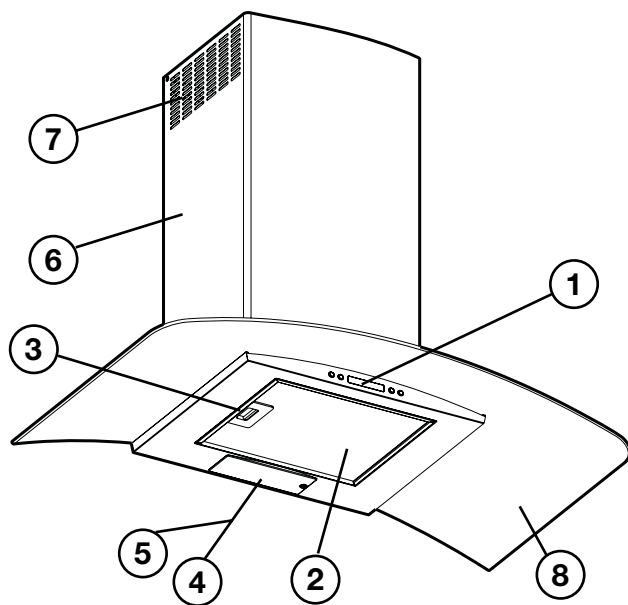
- Pour connecter le «Neutre», commune par un écrou de fil blanc fils (de la conduite) pour le fil blanc de la boîte de jonction.
  - Pour connecter la «Ligne», commune par un écrou de fil le fil noir (à partir du conduit) au fil noir de la jonction boîte.
  - Pour connecter le «Ground», commune par un écrou de fil des Verts.
  - Fil jaune (à partir du conduit) pour le vert / jaune fil de la boîte de jonction.
  - Poussez les fils dans la boîte de jonction.
- IMPORTANT: Assurez-vous que les fils ne sont pas pincés
- Fixez le couvercle du boîtier de jonction avec les vis d'origine.

### Mounting the duct cover

- Placer le conduit de cheminée au-dessus de la hotte montée.
- Glisser le fond du conduit dans la zone de verre.
- Placer le dessous de la cheminée sur le crochet de montage du conduit. Si un conduit de cheminée télescopique est utilisé, attraper la partie supérieure du conduit télescopique, le tirer et le mettre en place dans le crochet de montage du conduit de cheminée.
- Assurer le dessus du conduit à l'aide des 2 vis d'assemblage fournies.
- Assurer le bas du conduit à l'aide des 2 vis d'assemblage fournies.



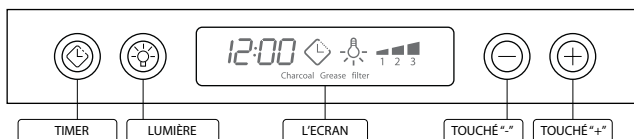
# Description de la hotte et des commandes



1. Contrôles soufflerie et lumières
2. Filtre anti-graisse
3. Poignée filtre anti-graisse
4. Couvercle de lampe
5. Incandescent Lamp (position and number may vary)
6. Conduit de cheminée
7. Trous de ventilation
8. Couverture en verre

## Commande

Ce capot est équipé d'un moteur électronique et le contrôle de la lampe. Le contrôle est en mesure de fixer ventilateur à 3 vitesses différentes, tournez ON / OFF et lumière a une fonction de minuterie. Dans le dessin following sont décrites les principales rencontres associatives clés.



### 1. Touche Timer

- Le réglage de la minuterie par défaut est 10 minutes, et peut ajustée entre 20 minutes et 1 minute.
- Après avoir appuyé sur la touche de minuterie, le contrôle d'entrée à un mode de configuration de compte à rebours, et l'utilisateur peut ajuster le temps compte à rebours avec le "-" et "+" clés dans les 5 secondes. La minuterie peut être engagée immédiatement en appuyant sur la touche de minuterie, après avoir fixé la durée minuterie ou en appuyant sur la minuterie touche deux fois (paramètre par défaut 10 minutes).
- Si ce n'est pas l'action se produit dans les 5 secondes du compte à rebours va commencer.
- Pendant la configuration de minuterie du "-" et "+" touches sont dédiées à la minuterie et aucune action motrice se produira.
- Une fois amorcée la minuterie, il peut être annulé en appuyant sur la touche de minuterie à nouveau.

### 2. Touche Lumière

- Appuyez sur la lampe touche pour allumer la lumière (lampe précédemment état OFF).
- Appuyez sur la lampe pour éteindre la lumière (lampe précédemment état ON).

### 3. Display

- Montre l'état de la hotte.

### 4. "-" Touche Diminution de vitesse / OFF

- Cette touche est utilisée pour diminuer la vitesse du moteur et pour éteindre la hotte.
- Le moteur s'éteint en appuyant sur la hotte "-" si la hotte se trouve à la première vitesse.
- Si le moteur se trouve à la deuxième vitesse et si l'on appuie sur la touche "-", le moteur passe à la première vitesse.
- Si le moteur est éteint et que l'on appuie sur "-", le display s'illumine.

### 5. "+" Touche Augmentation vitesse / ON

- Ce touche est utilisé pour augmenter la vitesse de l'hélice, ou branchez le ventilateur.
- Le ventilateur s'allumera si "+" touche est la presse et le capot était éteint.
- Si le ventilateur est à la première vitesse et "+" touche est pressé, le ventilateur sera placé à la deuxième vitesse.
- Si le ventilateur est à la deuxième vitesse et "+" touche est pressé, le ventilateur sera placé à la troisième vitesse.
- Si le ventilateur est à la troisième vitesse et "+" touche est pressé, un signal sonore retentira.

### Programmation Horloge

- L'horloge peut être reprogrammée à tout moment excepté pendant un fuction synchronisé actif.
- L'horloge peut être montrée dans un format de douze



heures et les temps d'horloge valides sont de 1:00 à 12:59.

- L'horloge peut être reprogrammée appuyant sur le bouton de "Timer" pendant 5 secondes, et après, l'horloge peut être ajustée avec "+" et "-" des boutons.
- Deux points ":" clignotera indiquant le mode 100 d'horloge.
- L'utilisateur peut avoir des incréments/décroissances minutieux de 1 minute, mais si le pressurage de subsistance d'utilisateur "+" / "-" les boutons pour plus de 1 seconde, les incréments/décroissances auront lieu de 5 minutes. Pendant cette option la commande rond aux 5 minutes les plus proches.
- L'utilisateur peut finir sur reprogrammer l'horloge appuyant sur le bouton de "Timer".
- Après 1 minute sans bouton a pressé la commande acceptera le temps d'horloge programmé et ajoutera une minute à l'horloge.

#### Signal saturation Filtres anti-graisses (En Option)

- Après 30 heures de fonctionnement du moteur, apparaît sur le display l'indication "Grease Filter" si le moteur est allumé. Quand ce signal apparaît sur le display, le filtre installé doit être lave.
- Pour remettre à zéro le signal de saturation des filtres, l'utilisateur doit appuyer sur la touche "+" pendant 5 secondes, après quoi, le signal "Grease Filter" disparaît et le display montre l'état de fonctionnement.

#### Signal saturation Filtre au Carbone (En Option)

- Après 120 heures de fonctionnement du moteur, apparaît sur le display l'indication "Charcoal Filter" si le moteur est allumé. Quand ce signal apparaît sur le display, le filtre à charbon installé doit être remplacé ou réactive.
- Pour remettre à zéro le signal de saturation des filtres, l'utilisateur doit appuyer sur la touche "-" pendant 5 secondes, après quoi, le signal "Charcoal Filter" disparaît et le display montre l'état de fonctionnement.

#### Activation/Désactivation signal acoustique

- Les signaux sonores peuvent être activés ou désactivés en appuyant sur la touche "Lumière" pendant 5 secondes.
- Si le signal sonore est activé, un son est émis et le symbole "Snd" doit apparaître sur le display pendant 2 secondes.
- Si le signal sonore est désactivé, le symbole "Snd" doit apparaître sur le display pendant 2 secondes et aucun son ne doit être émis.

#### Activation/Désactivation signal Filtre Charbon (version Filtrante)

- L'activation et la désactivation du signal saturation filtre charbon peut être réglé en appuyant simultanément pendant 5 secondes sur les touches "-" e "+".
- L'activation ou la désactivation doit être réglée avec moteur et lampes OFF.
- Quand le signal Filtre Charbon est désactivé, l'alarme est désahabilitéée.

#### Capteur de chaleur

- Le contrôle est équipé d'un capteur de chaleur qui fera tourner sur le ventilateur à vitesse seconde s'il se produit chaleur excessive (Plus de 70 ° C) entourant la zone de contrôle.
- Si le ventilateur est OFF ou si est fonctionne à la première vitesse, le ventilateur sera automatiquement au deuxième vitesse,
- Durant cet état, l'utilisateur peut uniquement augmenter la vitesse du moteur.
- Quand la température retourne sous le seuil d'alarme, le moteur retourne dans sa condition précédente à l'alarme.

## Filtre à graisse métallique d'entretien

Le filtre à graisse métalliques pièges libérée par les aliments sur la table de cuisson. Le filtre doit toujours être-Lorsque la hotte est installée exploitation / utilisé.

#### Pour supprimer:

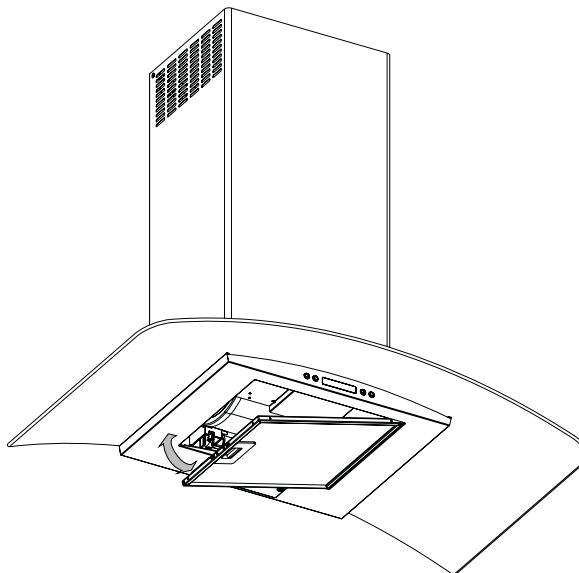
- Poussez le verrou de filtre / pivot dans la direction du centre de la filtre.
- Une fois que le pivot est push-pull le filtre lentement.

#### Pour remplacer:

- Insérez les languettes dans les fentes du filtre
- Poussez le verrou de filtre / pivot dans la direction du centre de la filtre.
- Une fois que le pivot est poussée, le filtre Soulevez lentement Jusqu'à ce que le haut et libérer le pivot.

#### Pour nettoyer:

- Swish le filtre dans l'eau chaude savonneuse et rincer à nettoyer l'eau ou le laver dans le lave-vaisselle.
- Ne pas utiliser de nettoyeurs abrasifs.

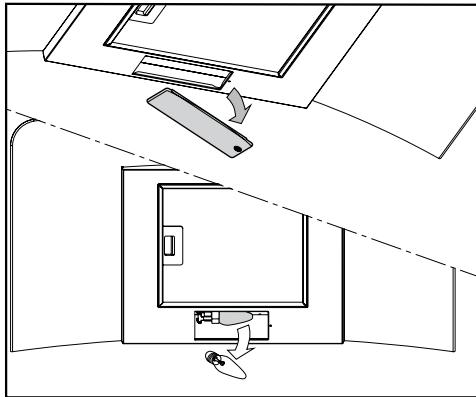
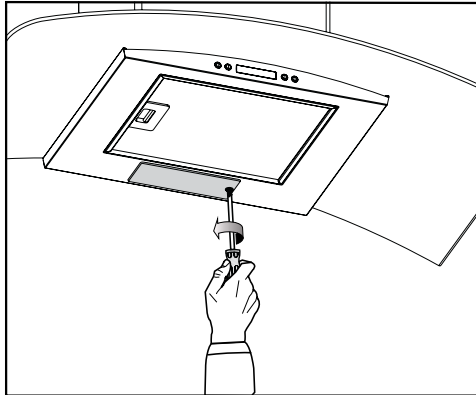


#### Entretien des hottes

- Nettoyer avec un chiffon humide et savonneuse et un chiffon sec propre avec A. Un nettoyeur de verre peuvent également être utilisés.  
ATTENTION: Ne pas mouiller le panneau de contrôle.
- Ne pas utiliser un tampon de laine d'acier;-t-il rayer la surface.
- Pour nettoyer la surface en acier inoxydable, utilisez chaude savonneuse eau, un nettoyeur en acier inoxydable ou en polonais. Toujours essuyer la surface dans le sens du grain. Suivez le nettoyeur des instructions pour le nettoyage de la surface en acier inox.

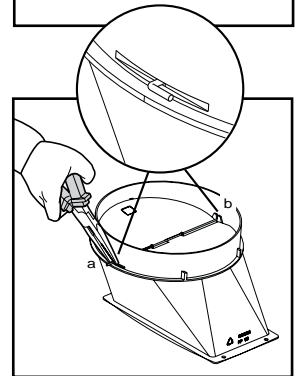
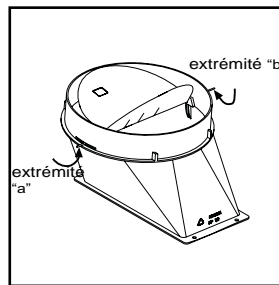
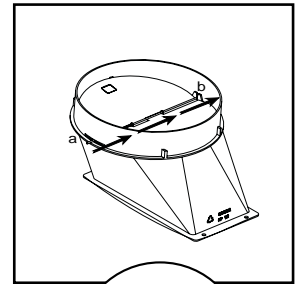
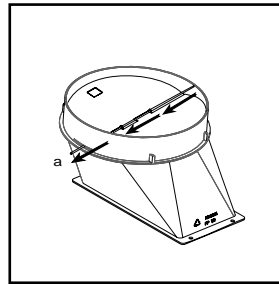
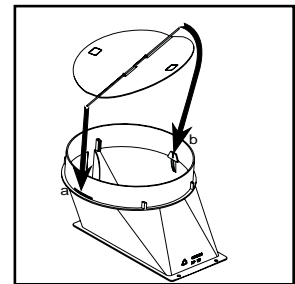
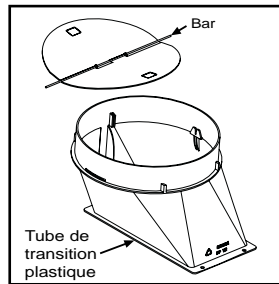
### Entretien lampe ampoule

- Utiliser un tournevis Phillips pour retirer la vis du protège ampoule. Retirer le protège-ampoule et le mettre de côté avec la vis.
- Retirer l'ampoule et la remplacer par une ampoule neuve de E12 Philips 120V, 40W.



### Installation de clapet anti-retour (Accessoires des Recirculation)

- Insérez l'extrémité "A" de la bar dans le "tube de transition plastique", poussant vers l'extérieur jusqu'à ce qu'elle croise la matière (tube de transition plastique), avec un peu de force.
- Placez l'extrémité "B" de la bar dans le "tube de transition plastique". Poussez vers l'extérieur jusqu'à ce qu'elle croise la matière (tube de transition plastique) avec un peu de force, la bar doit être symétriquement des deux côtés.
- Avec la pince à plier les deux extrémités de la bar, vers le "tube de transition plastique".



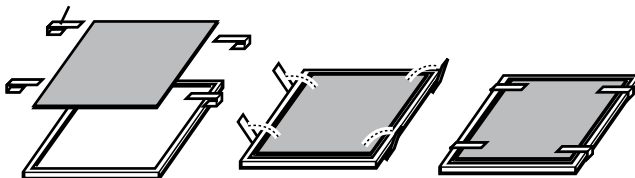
## Accessoires disponibles

### Placement du filtre au charbon (Accessoires de recyclage d'air)

Placer le matelas du filtre au charbon sur le côté supérieur de chaque filtre anti-graisse.

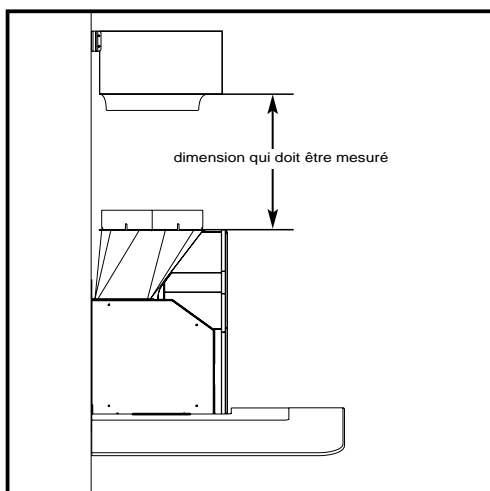
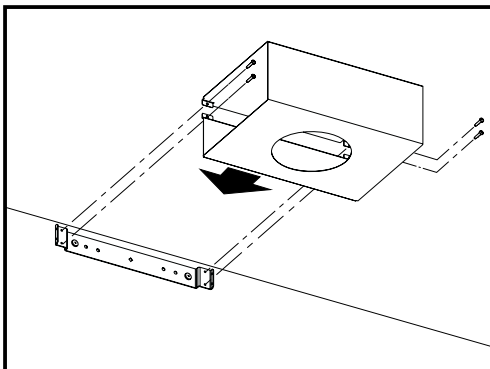
Utiliser les ressorts fournis pour le fixer en place.

**Remarque: Lorsque vous le retirerez pour le remplacer par un autre, n'enlever pas les ressorts de fixation, poussez-les simplement et faites-les tourner vers l'extérieur.**

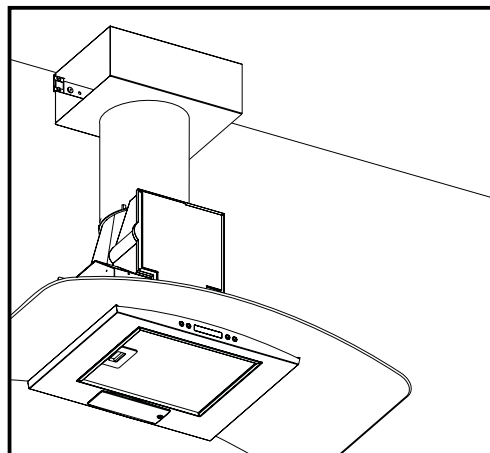


## Installation du déflecteur (Accessoires pour le recyclage d'air)

- Assembler le déflecteur d'air avec les crochets du conduit de cheminée à l'aide des 4 vis fournies comme indiqué sur la figure.
- Prendre les mesures du fond du déflecteur d'air au fond de la sortie de la hotte, comme indiqué sur la figure.



- couper le conduit à la taille mesurée
- Enlever le déflecteur d'air en retirant les 4 vis d'assemblage.
- Glisser le conduit dans le fond du déflecteur.
- Placer le déflecteur et le conduit assemblés sur la sortie d'évacuation de la hotte.
- Assembler le déflecteur d'air au crochet du conduit d'évacuation avec les 4 vis d'assemblage fournies comme indiqué sur la figure.



### Kit conduit télescopique couvercle

Pour l'installation del couverture conduit télescopique reviser à la section Instructions d'installation (option B - télescopique conduit et la couverture Mountig couvercle du conduit).

# DÉPANNAGE

Problème	Cause	Solution
Après l'installation, l'appareil ne fonctionne pas?	La source d'alimentation n'est pas allumé.	Assurez-vous que le disjoncteur et la puissance de l'appareil est sur ON.
	La ligne électrique et le câble connecteur ne se connecte pas correctement.	Vérifiez la connexion de l'alimentation avec l'appareil est correctement connecté.
	Le conseil interrupteur et le contrôle câblages sont déconnectés.	Assurez-vous que les câblages entre le conseil commutateur et panneau de contrôle sont correctement connectés.
	Le conseil interrupteur et le contrôle câblages sont défectueux.	Changer le conseil commutateur ou carte de contrôle.
Light fonctionne, mais le moteur ne tourne pas.	Le système de protection thermique détecte si le moteur est trop chaud pour fonctionner et arrêter le moteur.	Le moteur fonctionnera correctement après que le système protégé thermiquement refroidir.
L'appareil est vibrant.	Le moteur n'est pas sécurisé mis en place.	Serrer le moteur en place.
	Endommagé la roue du ventilateur.	Changer la roue du ventilateur.
	Le capot n'est pas fixé en place.	Vérifiez l'installation de la hotte.
Le moteur fonctionne, mais les lumières ne sont pas.	Ampoule à incandescence défectueux.	Changer l'ampoule à incandescence.
	L'ampoule est desserrée.	Serrer l'ampoule.
Le capot n'est pas d'évacuation correctement.	Le capot peut être accroché à la haute de la surface de cuisson.	Réglez la distance entre la table de cuisson et le fond de la hotte dans les 24 "et 30" large.
	Le vent des fenêtres ouvertes ou de portes ouvertes dans la région environnante ont une incidence sur la ventilation de la hotte.	Fermez toutes les fenêtres et les portes afin d'éliminer l'écoulement du vent à l'extérieur.
	Blocage dans l'ouverture du conduit ou de canalisation.	Retirez tous les bloquant à partir du travail conduit ou ouverture du conduit.
	La direction de l'ouverture du conduit est contre le vent.	Régler le sens d'ouverture du conduit.
	Utilisation de la mauvaise taille des conduits.	Changer les conduits à au moins 8 "ou supérieur.
Filtre métallique vibre	Métal filtre est en vrac.	Changer le filtre métallique.

## **Garantie**

### **GARANTIE DE DEUX ANS**

## **ELICA North America**

### **POUR OBTENIR UN DEPANNAGE SOUS GARANTIE**

Le propriétaire doit présenter une preuve de la date d'achat. Garder une copie de votre preuve d'achat datée (ticket de caisse) de façon à pouvoir bénéficier du service après-vente sous garantie.

### **GARANTIE PIECES DE RECHANGE ET MAIN D'OEUVRE**

Pendant une période de deux (2) ans à partir de la date d'achat, Elica s'engage à fournir gratuitement les pièces de rechange ou les composants autres que les recharges ayant des défauts de fabrication. Durant cette garantie de deux (2) ans, Elica fournira également gratuitement, toute la main d'oeuvre et le service à domicile pour remplacer d'éventuelles pièces défectueuses.

### **CE QUE LA GARANTIE NE COUVRE PAS**

- Dégât ou panne du produit causé par un accident ou un cas de force majeure tels que inondation, incendie ou tremblement de terre.
- Dégât ou panne du produit causé par modification du produit ou utilisation de pièces pas d'origine.
- Dégât ou panne du produit causé lors de la livraison, de la manipulation ou de l'installation.
- Dégât ou panne du produit causé par une mauvaise utilisation.
- Dégât ou panne du produit causé par un remplacement des fusibles ou une remise en fonction des disjoncteurs par le propriétaire.
- Dégât ou panne du produit causé par une utilisation du produit pour raison commerciale.
- Déplacement à domicile pour explication d'utilisation ou d'entretien.
- Ampoules, filtres métalliques ou au charbon et toute autre pièce consommable.
- Usure normale.
- Usure due à une mauvaise utilisation du propriétaire, un entretien incorrect, une utilisation de substances nettoyantes corrosives ou abrasives et produits de nettoyage pour four.

### **QUI EST COUVERT**

Cette garantie s'étend à l'acheteur original de produits achetés pour un usage domestique habituel en Amérique du Nord (Y compris Etats Unis, Guam, Porto Rico, les Iles virgin Américaines & le Canada).

Cette garantie n'est pas transférable et vaut uniquement pour l'acheteur original et ne s'étend pas aux propriétaires successifs du produit. Cette garantie vaut expressément en lieu et place de toute autre garantie, expresse ou sous-entendue, mais ne limite pas toute autre garantie sous-entendue de marchandage ou adaptation dans un but particulier et toute autre obligation de la part de Elica North America, étant entendu, cependant, que si la réclamation pour garanties sous-entendues n'est pas applicable aux yeux de la loi en vigueur, la durée de toute garantie sous-entendue émanant de la loi doit être limitée à deux (2) ans à partir de la date d'achat du produit ou à une période plus longue selon ce que dit la loi en vigueur.

Cette garantie ne couvre pas tout dégât particulier, accidentel et/ou consécutif, ni les pertes et profits, à charge du propriétaire, des ses clients et/ou des utilisateurs Des produits.

### **QUI CONTACTER**

Pour obtenir un Service Après-vente durant la Garantie ou pour toute autre Question liée au Service Après-vente

Appeler:

- Service Après-vente autorisé Elica North America au (888) 732-8018

Ou écrire à:

- Elica North America, A l'Attention du Service Client, 222 Merchandise Mart Plaza Suite 947, Chicago, IL 60654 USA  
infoamericas@elica.com

# Español

## Contenido

<b>Aviso de seguridad importante</b> .....	<b>31</b>
<b>Requisitos eléctricos y de instalación</b> .....	<b>32</b>
Requisitos eléctricos .....	32
Antes de instalar la campana.....	32
<b>Lista de materiales</b> .....	<b>33</b>
Piezas suministradas .....	33
Piezas no suministradas.....	33
<b>Dimensiones</b> .....	<b>33</b>
<b>Dimensiones de los ductos</b> .....	<b>34</b>
<b>Preparación de la instalación</b> .....	<b>34</b>
Montaje del soporte de conducto .....	35
Instalación del conducto hacia el techo / muro.....	35
<b>Instalación</b> .....	<b>36</b>
Montar la campana.....	38
Electrical Connection.....	37
<b>Descripción de la campana y los controles</b> .....	<b>38</b>
Controles.....	39
<b>Mantenimiento</b> .....	<b>40</b>
<b>Accesorios Disponibles</b> .....	<b>40</b>
<b>Resolución de Problemas</b> .....	<b>42</b>
<b>Garantía</b> .....	<b>43</b>

**APROBADO PARA APARATOS DE USO DOMÉSTICO  
SÓLO PARA USO DOMÉSTICO  
LEA Y GUARDE ESTAS INSTRUCCIONES**

**ANTES DE CONTINUAR, LEA LAS INSTRUCCIONES POR COMPLETO.**

**LA INSTALACIÓN DEBE CUMPLIR TODA LA NORMATIVA LOCAL.**

**IMPORTANTE:** guarde estas instrucciones para su uso por parte del inspector de electricidad local.

**INSTALADOR:** entregue al propietario estas instrucciones junto con la unidad.

**PROPIETARIO:** conserve estas instrucciones para futuras consultas.

**Advertencia de seguridad:** antes de realizar el cableado de este aparato, desactive el circuito de energía eléctrica en el panel de servicio y desbloquee el panel.

**Requisito:** Circuito auxiliar de CA de 120 V, 60 Hz, 15 ó 20 A

# LEA Y GUARDE ESTAS INSTRUCCIONES

## Aviso de seguridad importante

### PRECAUCIÓN

**SÓLO PARA USO DE VENTILACIÓN GENERAL. NO UTILIZAR PARA EXPULSAR VAPORES O MATERIALES PELIGROSOS O EXPLOSIVOS.**

### ADVERTENCIA

**PARA REDUCIR EL RIESGO DE FUEGO, DESCARGA ELÉCTRICA O LESIONES PERSONALES, RESPETE LO SIGUIENTE:**

- A. Utilice esta unidad solamente en el modo que indica el fabricante. En caso de duda, póngase en contacto con el fabricante.
- B. Antes de reparar o limpiar la unidad, desconecte la alimentación en el panel de servicio y bloquee los medios de desconexión del panel de servicio para evitar la conexión accidental de la alimentación. Si no es posible bloquear los medios de desconexión del panel de servicio, coloque un dispositivo de advertencia que destaque como, por ejemplo, una etiqueta, en el panel de servicio.
- C. La instalación y el cableado eléctrico deben realizarlos personas cualificadas de acuerdo con las normativas y los estándares aplicables, incluida la construcción ignífuga.
- D. Es necesaria una ventilación suficiente para la correcta combustión y expulsión de gases por la salida de humos (Chimenea) del equipo de combustión de carburante para evitar el contratiempo. Siga las directrices de fabricantes de equipos de calefacción y los estándares de seguridad como los publicados por la National Fire Protection Association (NFPA), American Society for Heating, Refrigeration and Air Conditioning Engineers (ASHRAE) y las normativas locales.
- E. Al efectuar orificios en una pared o techo, no dañe el cableado eléctrico y otras instalaciones ocultas.
- F. Los sistemas instalados mediante conducto deben tener ventilación con salida al exterior.

### PRECAUCIÓN

**Para reducir el riesgo de fuego y conseguir una salida del aire correcta, asegúrese de conducir el aire hacia el exterior. No permita que el aire se expulse en espacios situados en el interior de muros, techos, desvanes, sótanos de pequeña altura o garajes.**

### ADVERTENCIA

**PARA REDUCIR EL RIESGO DE FUEGO, UTILICE SOLAMENTE TUBOS METÁLICOS.**

Instale esta campana de acuerdo con los requisitos especificados.

### ADVERTENCIA

**Para reducir el riesgo de fuego o descarga eléctrica, no utilice esta campana con ningún dispositivo externo en estado sólido para el control de la velocidad.**

### ADVERTENCIA

**PARA REDUCIR EL RIESGO DE INCENDIO OCASIONADO POR GRASA:**

- a) No deje nunca ninguna unidad externa desatendida y con valores de fuego altos. La cocción puede causar humo o reboses de grasa que pueden prender fuego. Caliente el aceite a fuego lento o medio.
- b) Encienda siempre la campana cuando cocine a una temperatura alta o cuando realice flameados (Por ejemplo, crepes Suzette, cerezas flameadas, ternera a la pimienta flameada).
- c) Limpie con frecuencia los ventiladores. No permita que la grasa se acumule en el ventilador o filtro.
- d) Utilice un tamaño de sartén adecuado. Utilice siempre piezas de batería de cocina adecuadas al tamaño del elemento de superficie.

### ADVERTENCIA

**PARA REDUCIR EL RIESGO DE LESIONES PERSONALES, EN CASO DE FUEGO OCASIONADO POR GRASA, TENGA EN CUENTA LO SIGUIENTE:<sup>a</sup>**

- a. **EXTINGA LAS LLAMAS** con una tapa ajustada, una lámina para hacer galletas u otro tipo de bandeja metálica y apague el quemador de gas o elemento eléctrico. **TENGA CUIDADO PARA EVITAR QUEMADURAS.** Si las llamas no se extinguen inmediatamente, **DESALOJE EL LUGAR Y LLAME A LOS BOMBEROS.**
- b. **NUNCA TOME UNA SARTÉN EN LLAMAS**, podría sufrir quemaduras.
- c. **NO UTILICE AGUA**, incluidas bayetas o toallas húmedas ya que se produciría una violenta explosión de vapor.
- d. Utilice un extintor **SÓLO** si:
  - 1) Sabe que dispone de un extintor de la clase ABC y conoce su funcionamiento.
  - 2) El fuego es pequeño y se encuentra en la misma zona donde se inició.
  - 3) Ha llamado a los bomberos.
  - 4) Puede luchar contra el fuego teniendo una salida a su espalda.

<sup>a</sup>Basado en "Consejos de seguridad para fuegos de cocina", publicado por el NFPA (Asociación nacional de protección contra incendios).

### FUNCIONAMIENTO

- a. Coloque siempre las rejillas y los filtros de seguridad en su lugar correspondiente. Sin estos componentes, los ventiladores en funcionamiento podrían atrapar su pelo, sus dedos o su ropa.

El fabricante declina toda responsabilidad en caso de fallo de cumplimiento de las instrucciones aquí facilitadas para la instalación, el mantenimiento y el uso adecuado del producto. El fabricante declina además toda responsabilidad por daños ocasionados por negligencia y la garantía de la unidad queda cancelada automáticamente como consecuencia de un mantenimiento incorrecto.

# Requisitos eléctricos y de instalación

## Requisitos eléctricos

### IMPORTANTE

Cumpla todas las normativas y ordenanzas gubernamentales.

Es responsabilidad del cliente:

Ponerse en contacto con un instalador eléctrico cualificado. Asegurarse de que la instalación eléctrica es adecuada y en conformidad con National Electrical Code, ANSI/NFPA 70 (última edición\*) o CSA Standards C22.1-94, Canadian Electrical Code, Parte 1 y C22.2 No.0-M91 (última edición\*) y toda la normativa y las ordenanzas locales.

Si la normativa lo permite y se utiliza un cable de toma a tierra independiente, se recomienda que un electricista cualificado determine si la difracción de onda de tierra es la adecuada.

No ubique la toma a tierra en una tubería de gas.

Si no está seguro de que la campana está correctamente conectada a tierra, consulte a un electricista cualificado. No coloque ningún fusible en el circuito neutral o con vuelta por tierra.

### IMPORTANTE

Guarde las instrucciones de instalación para su uso por parte del inspector de electricidad.

La campana debe estar conectada únicamente con hilo de cobre.

La campana debe estar conectada directamente al desconectador con fusible (O disyuntor) mediante canal metálico de cables eléctricos.

Los tamaños de cable deben cumplir los requisitos de la National Electrical Code, ANSI/NFPA 70 (última edición\*) o CSA Standards C22.1-94, Canadian Electrical Code, Parte 1 y C22.2 No.0-M91 (última edición\*) y toda la normativa y las ordenanzas locales.

Es preciso colocar un conector de canal de cables enumerado en U.L. o C.S.A. en cada extremo del canal de cables de fuente de alimentación (En la campana y en la caja de conexiones).

Se pueden obtener copias de los estándares enumerados en:

\* National Fire Protection Association Batterymarch Park Quincy, Massachusetts 02269

\*\* CSA International 8501 East Pleasant Valley Road Cleveland, Ohio 44131-5575

## Antes de instalar la campana

1. Para obtener una circulación del flujo de aire más eficaz, utilice un tubo de tramo recto o el menor número posible de tubos acodados.  
PRECAUCIÓN: el conducto de ventilación solamente debe tener salida hacia la parte exterior del edificio.
2. Para realizar la instalación, se necesitan al menos dos personas.
3. La campana se ajusta mediante material adecuados para la mayoría de superficies; consulte a un instalador cualificado para comprobar si quedan perfectamente ajustados al armario o a la pared.
4. No emplee tubos flexibles.
5. Las instalaciones en CONDICIONES CLIMÁTICAS FRÍAS deben tener instalado un regulador de contratiro adicional para minimizar el flujo de aire inverso y una rotura térmica no metálica para minimizar la conducción de temperaturas externas como parte de los tubos. El regulador debe encontrarse en la parte de aire frío de la rotura térmica.  
La rotura debe estar lo más cerca posible al lugar donde los tubos entran en la parte caliente de la casa.
6. Aire limpio: Las normativas locales para edificios pueden requerir el uso de sistemas de aire limpio cuando se utilizan sistemas de ventilación mediante tubos superiores al CFM especificado de movimiento de aire. El CFM especificado varía de una zona a otra. Para conocer los requisitos específicos de su zona, consulte a un profesional de HVAC.



# Lista de materiales

## Piezas suministradas

Remoción de la confección

### PRECAUCIÓN

Quite la caja cuidadosamente, use guantes para protegerse contra los bordes afilados.

### ADVERTENCIA

Quite la película de protección que cubre el producto antes de ponerlo en funcionamiento.

- Ensamble de estructura de campana con extractor y transición.
- Lámpara Incandescente (ya instaladas)
- Toldo de vidrio (ya instalado)
- 1 filtro anti-grasa
- Cubreducto
- Bolsa de materiales de instalación con:
  - Plantilla para montaje
  - Soporte cubierta del conducto (1 pieza)
  - Guía de Uso, Cuidado e Instalación
  - Tornillos para madera (6 piezas - 5 x 45)
  - Taquetes para pared de concreto (6 piezas - 1/8"x3/8")
  - Tornillos de ensamble (4 piezas - 4.2 x 8)

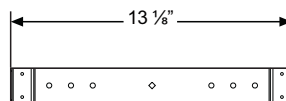
### Herramientas/Materiales necesarias

- Guantes protectores
- Lentes de seguridad
- Martillo
- Taladro eléctrico con broca de 5/16"
- Pinzas
- Cinta métrica/flexómetro
- Sierra / caladora
- Nivel
- Cutter
- Destornillador Phillips (Pozidrive) #2
- Destornillador Torx #2

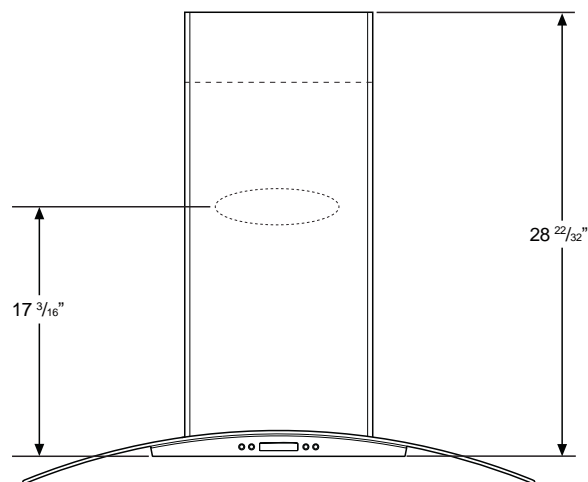
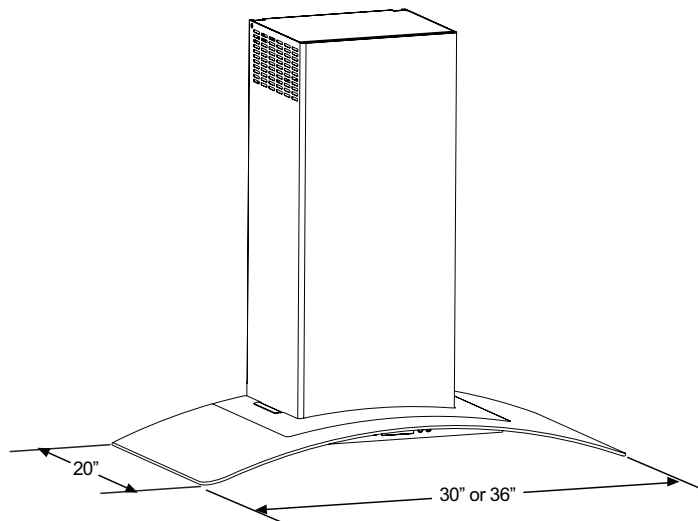
### Accesorios

Kit recirculante	REC DEKOR
Filtro de carbón	CHF KIT DEKOR
Extensión telescópica p/cubreductos	TEL DEKOR
Válvula Antiretorno	NRV DEKOR

## Soporte cubierta de conducto



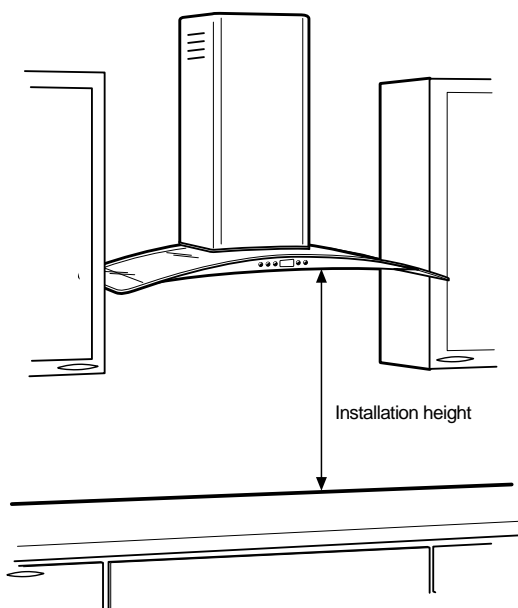
## Dimensiones



La campana debe ser instalada por encima de la superficie de cocina a 30" (mínimo) si se tiene estufa de gas o desde 24" (mínimo) hasta 30" si se tiene estufa eléctrica.

Si el cliente necesita que la cubierta del conducto alcance la altura del techo de 8" hasta 10", entonces será necesario otro accesorio para cubrir el conducto (deberá adquirir el KIT de cubierta del conducto telescópica).

Esta campana no debe instalarse sobre una estufa o parrilla profesional.



Altura de Instalación: 30" (mínimo) si se tiene estufa de gas o desde 24" (mínimo) hasta 30" si se tiene estufa eléctrica. La campana puede ser instalada sobre la pared con descarga (evacuación) hacia el exterior, o con recirculación de aire (Los accesorios para la opción de recirculado, no se incluyen con la campana).

## Preparación para la Instalación









### Planificación anticipada







- Determine la ubicación exacta de la campana.
- Planeé la ruta para la salida del aire hacia el exterior (aire libre).
- Use el conducto lo más corto y recto posible. Para un mejor rendimiento, el conducto no debe exceder 100" o longitud equivalente para cualquier configuración del conducto.
- Refiérase al cuadro "Accesorios Conductos" para calcular la longitud máxima permitida para los conductos hacia el aire libre.
- Como protección en el orificio exterior, instale una tapa con regulador en el techo o pared.
- Utilice solo conductos metálicos redondos de 8" de diámetro.

### Marco en la pared para soporte apropiado

- Esta campana es pesada. Deberá contar con una estructura y soporte adecuado para cualquier tipo de instalación. La campana debe ser sujeta (asegurada) con fuerza sobre pernos verticales o soporte horizontal en la pared.
- La localización de la campana debe estar decidida antes de terminar con la instalación de soportes o terminados de la pared.
- La instalación será más fácil si se instala la ventilación de la campana, antes de instalar la estufa y la superficie de cocina y/o fregador (área de lavaplatos).

## Dimensiones de los ductos

Pieza del ducto		Longitud equivalente		Total
	recto redondo de 6"	1 pie	x ( ) =	pie
	recto rectangular de 3 1/4" x 10"	1 pie	x ( ) =	pie
	Codo redondo de 6" de 90°	15 pies	x ( ) =	pie
	Codo redondo de 6" de 45°	8 pies	x ( ) =	pie
	Codo rectangular de 3 1/4" x 10" de 90°	11 pies	x ( ) =	pie
	Codo rectangular de 3 1/4" x 10" de 45°	6 pies	x ( ) =	pie
	Codo rectangular plano de 3 1/4" x 10" de 90°	24 pies	x ( ) =	pie
	Transición redonda de 6" a rectangular de 3 1/4" x 10"	1 pie	x ( ) =	pie

Pieza del ducto		Longitud equivalente		Total
	Transición rect. de 3 1/4" x 10" a red. de 6"	8 Ft.	x ( ) =	pie
	Codo transición redondo de 6" a rect. de 3 1/4" x 10"	16 Ft.	x ( ) =	pie
	Codo transición rect. de 3 1/4" x 10" a redondo de 6"	17 Ft.	x ( ) =	pie
	casquete de pared redondo de 6" con válvula antiretorno	30 Ft.	x ( ) =	pie
	casquete de pared rect. de 3 1/4" x 10" Rect. con válvula anti-retorno	30 Ft.	x ( ) =	pie
	Salida de aire de techo de 7" - 10"	26 Ft.	x ( ) =	pie
Longitud total del ducto				

**DIMENSIONES DE LOS DUCTOS:** Use esta tabla para calcular las longitudes máximas admisibles.  
**NOTA:** no exceder las longitudes máximas.

Conductos flexibles: si se usan conductos flexibles de metal, todos los valores de los pies de la mesa deberían ser doblados. El conducto flexible de metal deberá ser lo más recto, liso y extendido posible.

**NO USE** conductos plásticos flexibles.

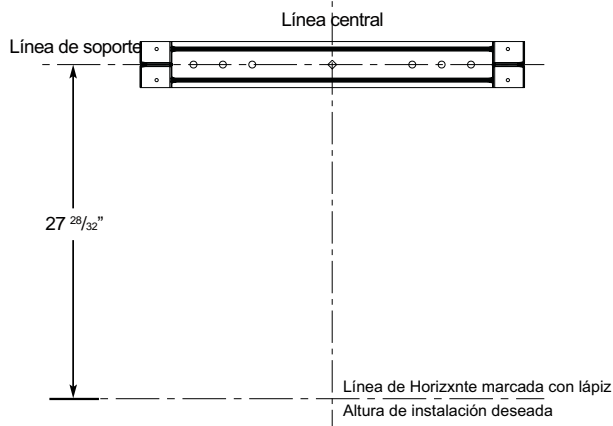
**NOTA:** Cualquier sistema de ventilación doméstico, como una campana extractora, podría interrumpir el propio flujo de aire de combustión y gases de combustión, requeridos por chimeneas, hornos de gas, calentador de agua de gas y otros sistemas naturales de ventilación. Para minimizar la posibilidad de interrupción de tales sistemas naturales de ventilación, siga las instrucciones del fabricante sobre los elementos de calefacción y los estándares de seguridad, como los publicados por NFPA y ASHRAE.

Esta campana se debe usar con un conducto redondo de 8"

## Montaje del soporte del conducto

### Opción A - Cubierta del conducto fija

- De la línea horizontal trazada en la sección anterior, dibuje una línea horizontal paralela como se muestra abajo. Centre el soporte en la línea horizontal superior y alinéela con la línea central, como se describe en el siguiente dibujo.

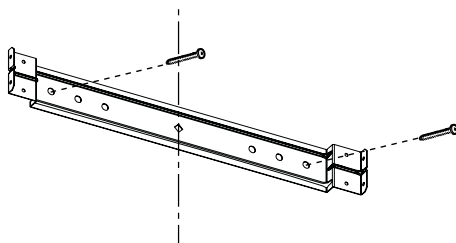


Señale la posición de los orificios para los tornillos en la pared

**IMPORTANTE.** Asegúrese de que dichos orificios sean nivelados y centrados con la línea central.

(Esta instrucción también aplica a paredes de concreto)

- Taladre los orificios guía 5/16" en las posiciones marcadas
- Instale los taquetes expansivos de pared.
- Con la mano inserte los tornillos para madera dentro de los taquetes, para permitir que estos se expandan.
- Retire los tornillos

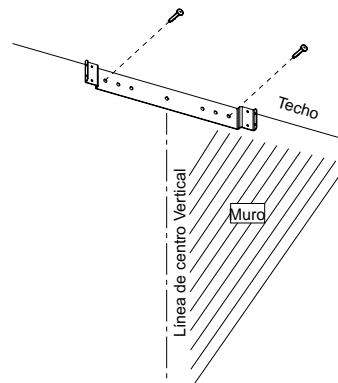


### Opción B - Cubierta del conducto telescópica

- El soporte del conducto, deberá ser instalado contra la pared posterior a ras con el techo. Este soporte sujetará la cubierta del conducto de la parte superior en su lugar (este accesorio no está incluido en la campana).

### Asegure el soporte de pared:

- Alineé la línea de centro marcada en el soporte con la línea de centro de la pared.
- Señale la posición de 2 orificios en la pared.
- Taladre los orificios guía con una broca de 5/16" en los lugares marcados
- Instale los taquetes expansivos a la pared.
- Con la mano inserte los tornillos para madera dentro de los taquetes para permitir que estos se expandan.
- Retire los tornillos.
- Sujete el soporte en la pared con tornillos de madera y taquetes.



### Instalación del conducto hacia el techo

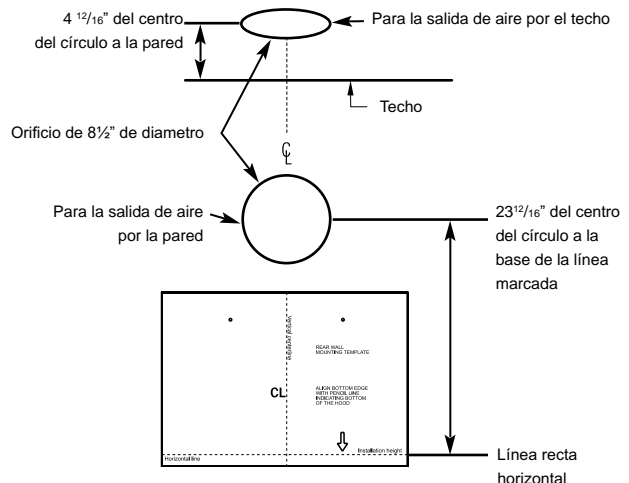
- Si el conducto ofrecerá la salida del aire hacia el techo:
- Utilice el nivel para trazar una línea recta, desde la línea central de la plantilla hasta el techo.
- Mida por lo menos 4 - 12/16" desde la pared hasta el centro del círculo de un orificio de 8-1/2" en el techo.

### Instalación del conducto hacia la pared

- Si el conducto ofrecerá la salida del aire atrás:
- Utilice un nivel para trazar una línea recta hacia arriba desde la línea central de la plantilla.
- Mida por lo menos 23 - 12/16" (la medida podría cambiar dependiendo del codo que se usa) sobre la línea que indica la parte inferior de la altura de la instalación, al centro del círculo del orificio del conducto con un dia. de 8 1/2". (El orificio podría ser alargado para el codo del conducto).

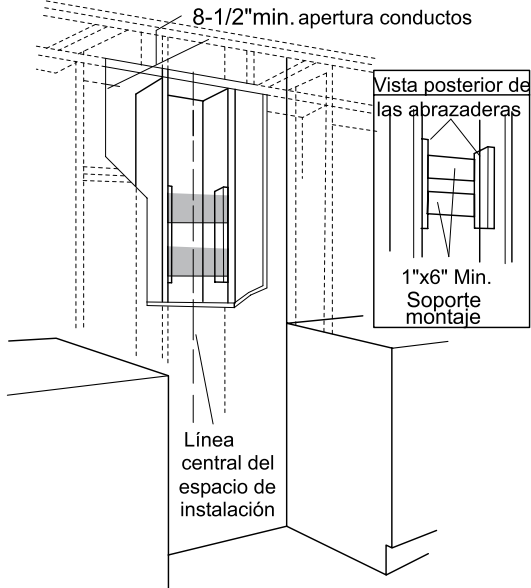
### Ubicación del cableado eléctrico de casa

- La caja de conexión se encuentra en la parte superior de la campana.
- El cableado deberá entrar en la pared por lo menos de 20" por encima de la altura inferior de la instalación y entre 5 - 7/8" y 4 - 7/8" del lado izquierdo de la línea de centro.
- Utilice para la instalación conducto de metal de 1/2" enlistado por UL



## Instalación del armazón de soporte para la campana

- Si se cuenta con pared falsa (cartón yeso) marque la ubicación de los orificios para los tornillos. Y retire la plantilla.
- Remueva (corte) lo suficiente de pared para posicionar 2 postes verticales en la ubicación de los orificios referenciados en el punto anterior con ayuda de la plantilla.
- Instale dos soportes horizontales de por lo menos 4" X 2" entre dos postes de la pared, en donde deberán ir posicionados los orificios inferiores.
- Use abrazaderas (bridas) detrás de ambos lados del soporte para sujetarlo hacia la pared.
- Reinstale la pared falsa (cartón yeso), resane y termine.



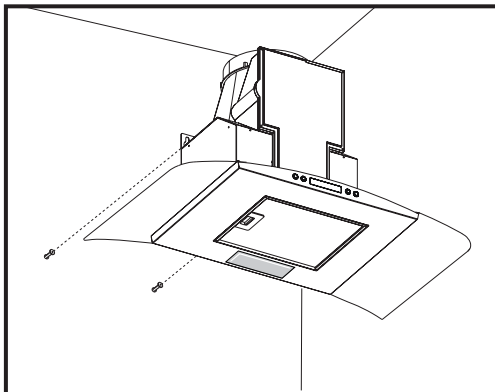
### IMPORTANTE:

- El armazón debe ser capaz de sostener 100 lb.

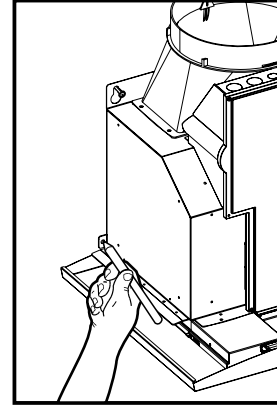
### Montar la campana

ADVERTENCIA: 2 personas son necesarias para levantar y posicionar la campana en los pernos (tornillos) de montaje.

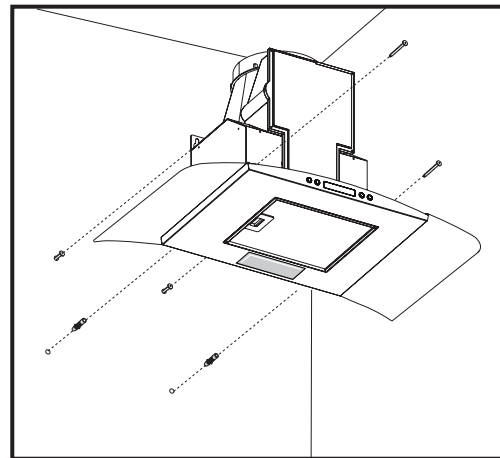
- Coloque la plantilla sobre la pared a lo largo de la línea horizontal. Asegúrese de que la plantilla esté nivelada y centrada con la línea de centro.
- Marque en la pared donde deberán ir los agujeros "superiores".  
**IMPORTANTE.** Controle que dichos agujeros, estén nivelados y centrados correctamente con la línea de centro vertical.
- Posicione y asegure los tornillos para madera "superiores" con la mano. Deje ¼ " de distancia entre la cabeza del tornillo y la pared.
- Monte la campana sobre los tornillos "superiores".



- Señale las ubicaciones de los agujeros inferiores para los tornillos para madera "inferiores" en la pared, utilice un lápiz.

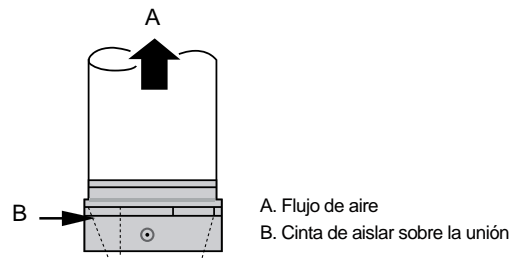


- Retire la campana
- Apriete con la mano los tornillos inferiores para madera. Retire los tornillos.
- Coloque la campana en los tornillos "superiores".
- Atornille y apriete con la mano los tornillos "superiores" para madera.
- Atornille y apriete con la mano los tornillos "inferiores" para madera.



### Conexión del conducto

- Instale el conducto, haciendo conexiones en dirección a la corriente de aire, como se ilustra
- Empuje el conducto encima de la salida de escape.
- Selle hermeticamente todas las coyunturas (articulaciones) de los conductos y las abrazaderas de conexión con cinta para conductos.
- Realice la misma operación para la salida de aire de pared o de techo.



## Preparación de la conexiones eléctricas

### ADVERTENCIA:

#### Riesgo de descarga eléctrica

Apague el circuito principal en el panel de servicio antes de conectar esta unidad.

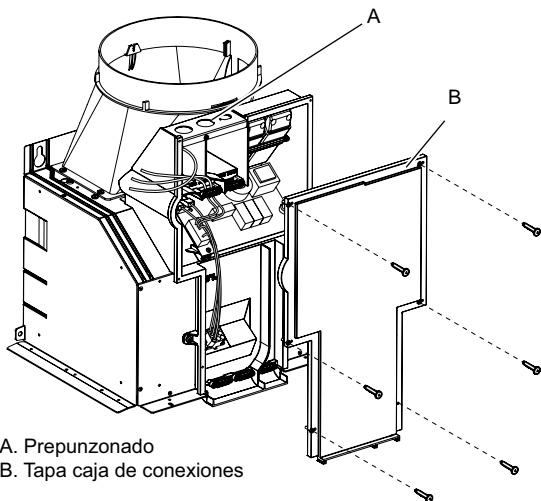
Circuito requerido : 120 v, 15 ó 20 amp.

### INSTRUCCIONES PARA LA INSTALACION DE TIERRA ELECTRICA

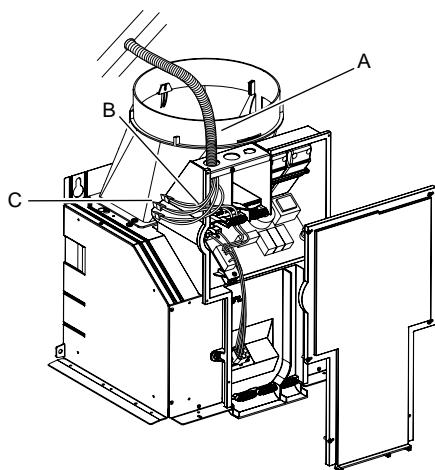
ESTE DISPOSITIVO TIENE UNA CAJA DE CONEXIÓN ELÉCTRICA CON TRES CABLES, EL COLOR DEL CABLE VERDE/ AMARILLO SIRVE PARA LA PUESTA A TIERRA DEL DISPOSITIVO. PARA PROTEGERLE CONTRA DESCARGAS

ELÉCTRICAS, EL CABLE VERDE/AMARILLO DEBE ESTAR CONECTADO AL CABLE DE TIERRA EN SU SISTEMA ELÉCTRICO DOMÉSTICO, Y BAJO NINGUNA CIRCUNSTANCIA DEBE SER CORTADO O REMOVIDO. DE NO HACERLO, PODRIAN CAUSAR RIESGO DE MUERTE O CHOQUE ELÉCTRICO.

- Quite la cubierta de la caja de conexión y el prepunzonado en la parte superior del lado izquierdo.



- Asegure el conducto eléctrico de metal a la caja de contactos mediante dispositivos de ensamble aprobados por UL

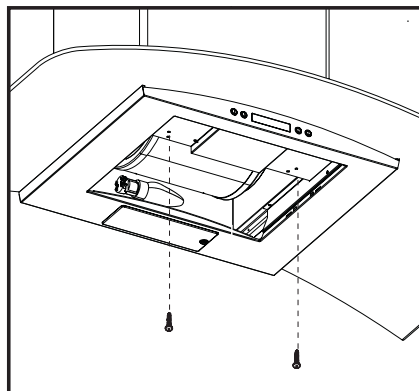
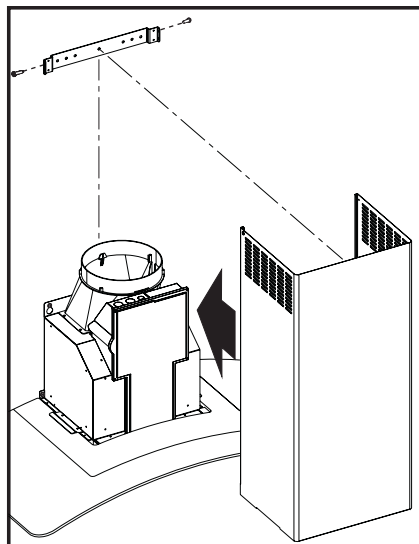


### Conexiones eléctricas:

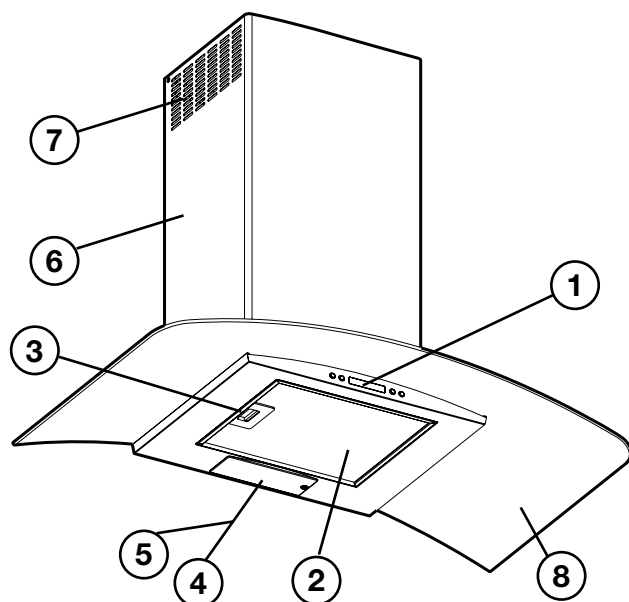
- Para conectar el "Neutro", junte a través de una tuerca para cable, el cable blanco (desde el conducto) al cable blanco de la caja de conexión.
  - Para conectar la "Línea", junte a través de una tuerca para cable, el cable negro (desde el conducto) al cable negro de la caja de conexión.
  - Para conectar la "Tierra", junte a través de una tuerca para cable, los cables Verde/Amarillo (desde el conducto) a los cables Verde/Amarillo de la caja de conexión.
  - Coloque de nuevo los cables en la caja de conexión.
- IMPORTANTE:** Asegúrese de que los cables no estén pinchados (descubiertos).
- Sujete la cubierta de la caja de conexión con los tornillos originales.

### Montaje de la cubierta del conducto

- Coloque la cubierta del conducto por encima de la campana montada.
- Deslice la parte inferior del conducto en el área asignada
- Coloque la parte superior de la cubierta del conducto. Si se usa una cubierta telescópica del conducto, tome la parte superior de la cubierta y posicónela en el soporte de montaje de la cubierta del conducto.
- Sujete la parte superior del conducto con 2 tornillos de montaje 2 provistos.



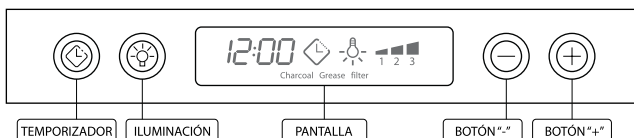
# Descripción de la campana y los controles



1. Panel Control
2. Filtro de grasa
3. Manija liberadora del Filtro de Grasa
4. Cubierta de la lámpara
5. Lámpara Incandescente (La posición y el número de lámparas puede variar)
6. Cubre ductos
7. Rejilla del cubreductos (para versión recirculante)
8. Toldo de vidrio

## Controles y características

Esta campana está equipada con un control electrónico para motor y para lámpara. El control tiene 3 velocidades para el ventilador, enciende/apaga (ON/OFF) la luz y tiene la función de temporizador (Timer). En el siguiente dibujo, están descritas las funciones principales.



### 1. Tecla Temporizador

- El tiempo por defecto es 10 minutos, y puede ser ajustado entre 20 minutos y un 1 minuto.
- Después de pulsar la Tecla Temporizador, el control accede a la modalidad setup temporizador y el usuario, puede ajustar la cuenta atrás del temporizador con las teclas "-" y "+" en 5 segundos. El temporizador puede ser usado inmediatamente, pulsando la tecla del temporizador, después de haber establecido la duración o pulsando la tecla del temporizador dos veces (por defecto 10 min.).
- Si el usuario no presiona ninguna tecla dentro de 5 segundos, empezará la cuenta atrás.
- Durante el ajuste del temporizador, las teclas "-" y "+" son dedicadas al temporizador y no ocurrirá ninguna otra acción del motor.
- Una vez que el temporizador ha sido activado, puede ser cancelado pulsando de nuevo la tecla temporizador.

### 2. Tecla de Iluminación

- Presione la tecla de iluminación para encender (La lámpara debe estar previamente apagada).
- Presione la tecla de iluminación para apagar (La lámpara debe estar previamente encendida).

### 3. Pantalla - Muestra la programación de la campana.

### 4. "-" Tecla. Disminución Velocidad/ OFF

- Esta tecla se usa para disminuir la velocidad del ventilador, o para apagar (OFF) el ventilador.
- El ventilador se apagará ( OFF ) si se pulsa el botón "-" y la campana estaba en la primera velocidad.
- Si el ventilador está en la segunda velocidad, se pulsa el botón "-", el botón será ajustado en la primera velocidad.
- Si el ventilador está en la tercera velocidad "-" se pulsa el botón, el botón será ajustado en la segunda velocidad.
- Si el ventilador está apagado ( OFF ) y se pulsa el botón "-", se iluminará la luz de la pantalla.

### 5. "+" Tecla. Aumento Velocidad / ON

- Esta tecla se usa para aumentar la velocidad del ventilador, o encender el ventilador.
- El ventilador se encenderá si se pulsa el botón "+" y la campana estaba apagada.
- Si el ventilador está en la primera velocidad y se pulsa el botón "+", el ventilador será ajustado en la 2a velocidad.
- Si el ventilador está en la segunda velocidad y se pulsa el botón "+", el ventilador será ajustado en la 3a velocidad
- Si el ventilador está en la tercera velocidad y se pulsa el botón "+", emitirá un sonido.

## Funciones especiales

### Programación del reloj

- El reloj, puede ser reprogramado en cualquier momento, excepto durante una acción activa de temporizador.



- El reloj está configurado con el formato de doce horas y los horarios validos van de 1:00 a 12:59.
- El reloj puede ser reprogramado pulsando la tecla "Temporizador" por 5 segundos, y después, el reloj puede ser ajustado con las teclas "+" y "-". Colon ":" destellará indicando la modalidad programación del reloj.
- El usuario puede incrementar / disminuir los minutos de 1 minuto, pero si sigue pulsando las teclas "+"/"-" por más de 1 segundo, los incrementos / disminuciones serán de 5 minutos. Durante esta opción el control redondeará a los 5 minutos más cercanos.
- El usuario puede terminar la reprogramación del reloj pulsando la tecla "timer".
- Después de 1 minuto, si no se pulsa ninguna tecla, el control aceptará la hora del reloj programada y añadirá un minuto a la hora ajustada.

#### Alarma de saturación de filtros de grasa

- Después de treinta horas de funcionamiento, el display mostrará "Filtro de Grasa" si el ventilador está activo. Cuando este icono se muestra en el display, es necesario lavar los filtros de grasa instalados.
- Para desactivar la alarma de saturación de filtros de grasa, el usuario debe pulsar la tecla "+" por 5 segundos, después de esta acción, el icono "filtro de grasa" no aparecerá en el display, y la campana vuelve al display de funcionamiento normal.

#### Alarma de saturación del filtro de carbón (accesorio de recirculación)

- Después de ciento veinte horas de funcionamiento del ventilador, el display mostrará "Filtro de Carbón" si el ventilador está activo. Cuando este ícono se muestra en el display, es necesario lavar o sustituir los filtros de carbón instalados.
- Para reajustar la indicación de saturación de los filtros de carbón, el usuario debe pulsar la tecla "-" por 5 seg, después, el icono "filtro de carbón" no aparecerá en el display, y la campana vuelve al display de funcionamiento normal.

#### Señal auditiva de activación y desactivación

- Las señales auditivas, pueden ser activadas o desactivadas pulsando la tecla "Luz" por 5 seg.
- Si la señal auditiva es activada, un tono debe sonar y el símbolo "Snd" aparece en el display por 2 seg.
- Si la señal auditiva es desactivada, el símbolo "Snd" aparece en el display por 2 seg y no habrá ningún sonido.

#### Inclusión y exclusión del filtro de carbón (accesorio de recirculación)

- La inclusión o exclusión puede ser establecida pulsando los botones "-" y "+" al mismo tiempo por 5 segundos.
- La inclusión o exclusión del filtro de carbón debe ser escogida mientras las lámparas y el motor están apagados (OFF).
- Cuando el filtro ha sido excluido, la alarma del filtro de carbón está desactivada.

#### Sensor de calor

- El control esta equipado con un sensor térmico que encenderá el motor en la segunda velocidad si el calor que rodea al control es demasiada (más de 70°C).
- Si el motor está apagado (OFF) o si está en la 1a, el motor será ajustado automáticamente en la 2a vel.
- Durante este estado, el consumidor podría aumentar la velocidad de éste hasta la tercera velocidad pero no puede disminuir la velocidad.
- Cuando el nivel de la temperatura de la campana llega al nivel normal, el motor funcionará con el ajuste definido por el usuario, antes que se active la alarma.

## Mantenimiento del filtro de grasa

El filtro de metal atrapa la grasa emitida por la comida en la superficie de cocina. El filtro debe estar siempre instalado cuando se usa la campana.

#### Para quitar:

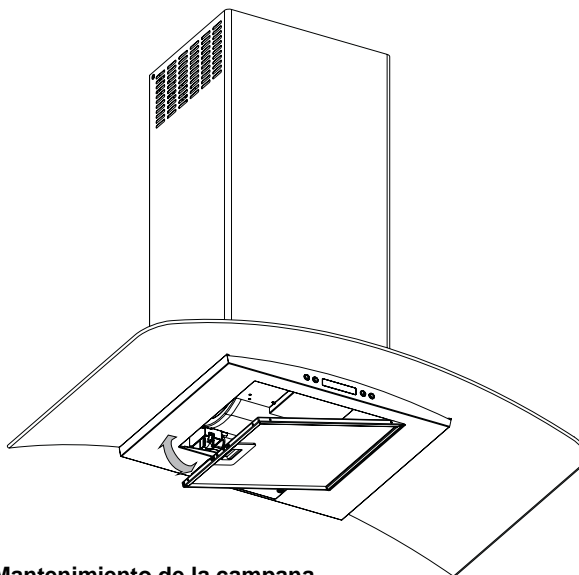
- Empuje el cerrojo del filtro / pivote en dirección del centro del filtro.
- Una vez que el pivote ha sido empujado, baje despacio el filtro.

#### Para sustituir :

- Introducir el filtro en las ranuras.
- Empuje el cerrojo del filtro / pivote en dirección del centro del filtro.
- Una vez que el pivote ha sido empujado, levante despacio el filtro hasta la parte superior y suelte el pivote.

#### Para limpiar:

- Lave el filtro en agua jabonosa y enjuague en agua limpia o lávelo en el lavavajillas.
- No use limpiadores abrasivos.

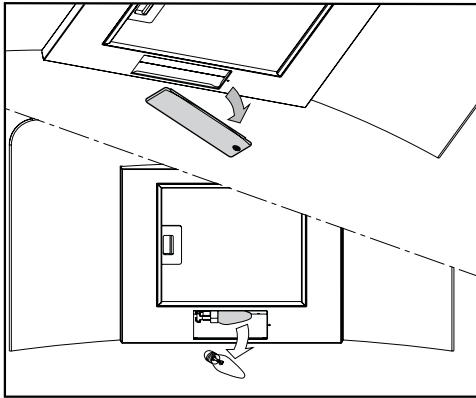
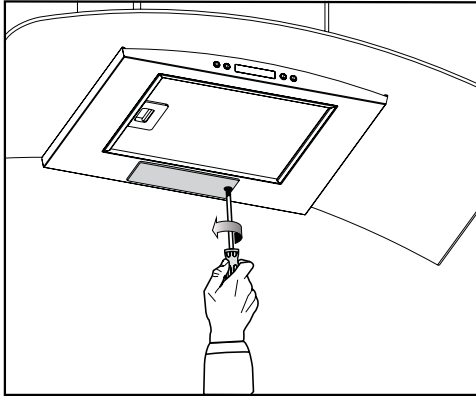


#### Mantenimiento de la campana

- Limpie con un trapo húmedo, jabonoso y seque con un trapo limpio. Puede ser también usado un limpiador para vidrios.
- CUIDADO: No moje el panel de control.
- No use una estopa de acero; podría rasguñar la superficie.
- Para limpiar la superficie de acero inoxidable, use agua jabonosa caliente, limpiador para acero inoxidable o cera. Frotar siempre siguiendo la dirección de la veta.
- Siga las instrucciones del limpiador para limpiar la superficie de acero inoxidable.

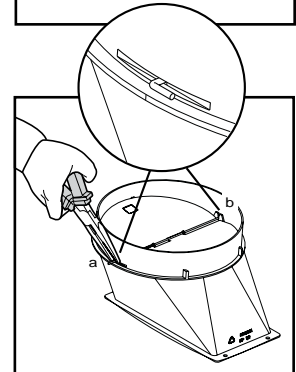
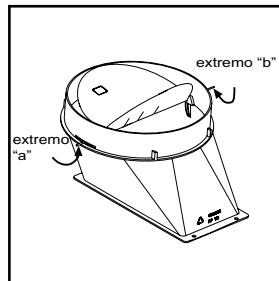
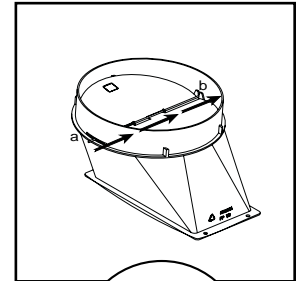
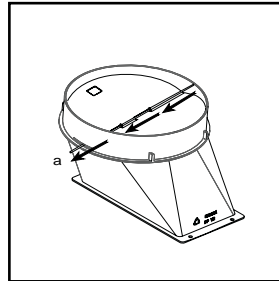
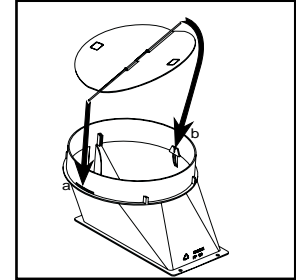
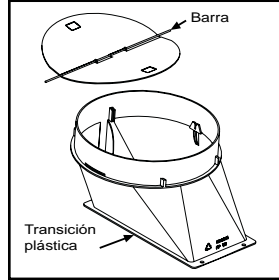
### Mantenimiento de las lámparas

- Use un destornillador Phillips # 2 para quitar la cubierta de la lámpara. Quitar con cuidado.
- Quite la lámpara dañada (girar el contador según las agujas del reloj) y sustituir con otra lámpara. (Lámpara E12 Philips 120V, 40W)



### Instalación Válvula Anti-Retorno (Accesorios Recirculación)

- Introduzca el extremo "a" de la barra en el "tubo plástico de transición", tirando hacia fuera hasta que cruce el material (tubo plástico de transición) con un poco de fuerza.
- Coloque el extremo "b" de la barra en el "tubo plástico de transición". Tire hacia fuera hasta que cruce el material (tubo plástico de transición) con un poco de fuerza, la barra debe ser simétrica en ambos lados. Con las tenazas, doble ambos extremos de la barra, hacia el "tubo plástico de transición".



## Accesorios Disponibles

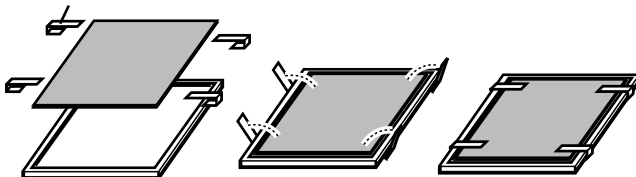
### Colocación del Filtro de Carbón (Accesorios Recirculación)

Encaje el colchón del filtro de carbón sobre la parte superior de cada filtro de grasa.

Use los resortes provistos para ajustarlo en su lugar.

Nota:

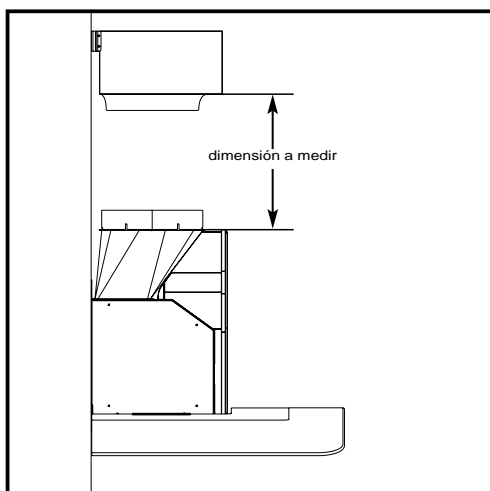
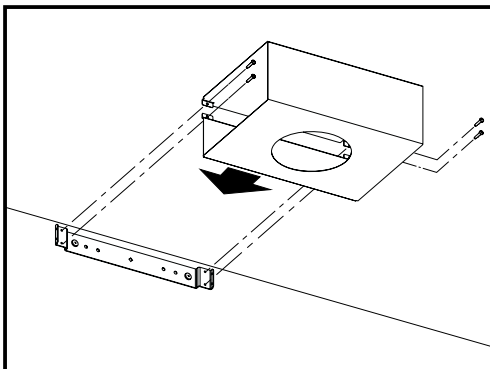
Cuando se quita para sustituirlo por uno nuevo, no quite los resortes de sujeción, extraiga uno rotando hacia afuera.



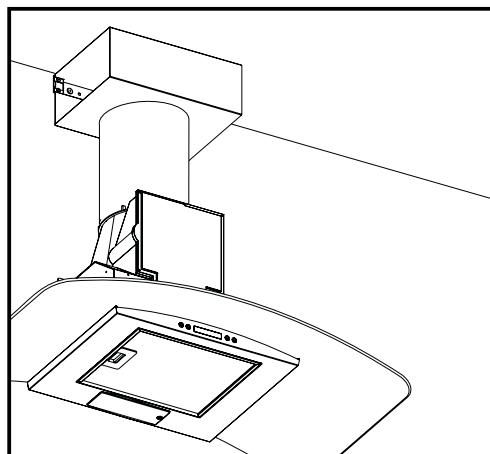


## Instalación deflector de aire (Accesorios para opción recirculante)

- Monte el deflector de aire en el soporte del conducto con 4 tornillos de montaje provistos, así como mostrado.
- Mida desde la parte inferior del deflector de aire hasta la parte inferior del escape de la campana, así como se muestra.



- Corte el conducto según el tamaño medido
- Desinstale el colector de aire quitando los 4 tornillos de montaje.
- Coloque el deflector montado y la cubierta del conducto, por encima de la salida de escape desde la campana
- Monte el colector de aire con la cubierta del soporte del conducto con 4 tornillos de montaje provistos, así como mostrado.
- Use la cinta para conductos, para sellar el colector a la salida de escape desde la campana.



### Kit cubierta telescópica del conducto

Para la instalación de la cubierta del conducto telescópico, refiérase a la sección Instrucciones de Instalación (opción B cubierta conducto telescópico y ensamblaje cubierta conducto).

# Resolución de Problemas

Tipo de problema	Posibles Causas	Acciones Recomendadas
Después de la instalación, la unidad no funciona?	La fuente de poder no esta encendida.	Asegúrese de que el cortocircuito y la corriente eléctrica estén encendidos (ON).
	La línea eléctrica y el enganche del cable, no están conectados adecuadamente.	Controle que la alimentación con la unidad, esté conectada adecuadamente.
	El cableado entre la consola de control o cuadro de control están desconectados.	Asegúrese de que el cableado entre la consola de control o cuadro de control estén conectados adecuadamente.
	La consola de control o el cuadro de control están defectuosos.	Cambie la consola de control o cuadro de control.
Las luz funciona, pero el motor no.	El sistema térmicamente protegido, detecta si el motor está demasiado caliente para funcionar y lo apaga.	El motor funcionará apropiadamente después de que el sistema térmicamente protegido se enfríe.
La unidad vibra.	El motor no está firme en su lugar.	Apriete el motor en su lugar.
	Rueda del ventilador dañada.	Cambie la rueda del ventilador.
	La campana no está firme en su lugar.	Controle la instalación de la campana.
El motor funciona, pero las luces no.	Bombilla incandescente defectuosa.	Cambie la bombilla incandescente.
	La bombilla de la luz está floja.	Apriete la bombilla.
La ventilación de la campana no es la apropiada.	La campana podría colgar demasiado alta desde la superficie de cocina.	Ajuste la distancia entre la superficie de cocina y la parte inferior de la campana entre 24" y 30".
	El viento desde las ventanas o puertas abiertas, en el entorno, influyen en la ventilación de la campana.	Cierre todas las ventanas y puertas para eliminar el flujo de viento exterior.
	Obstáculos que obstruyen la abertura del conducto o el conducto.	Quite todo lo que pueda obstruir el conducto o la abertura del conducto.
	La dirección de la abertura del conducto es contra del viento.	Ajuste la dirección de abertura del conducto.
	Se está usando el lado equivocado del conducto	Cambie el conducto por lo menos de 8" o más.
El filtro de metal vibra.	El filtro de metal está flojo.	Cambie el filtro de metal.

**PARA OBTENER SERVICIO DENTRO DE GARANTIA.**

El propietario debe presentar su recibo original de la compra. Guarde por favor una copia de su recibo de compra como prueba, para recibir el servicio dentro del periodo de garantía.

**PARTES Y GARANTIA DE SERVICIO.**

Por el periodo de (2) dos años desde la fecha original de la compra, Elica proveerá, gratuitamente, partes no-consumibles o componentes que hayan fallado debido a defectos de fabricación. Durante estos (2) años de garantía limitada, Elica también proveerá gratuitamente, todo el servicio en casa y mano de obra necesaria para reemplazar cualquier parte defectuosa.

**QUE NO ESTA CUBIERTO**

- Daños o fallas del producto causados por accidente o actos de Dios, tales como inundaciones incendios o terremotos.
- Daños o fallas causadas por alteración del producto o por el uso de partes no-originales.
- Daños o fallas del producto causados durante la entrega, manejo o instalación.
- Daños o fallas del producto causados por abuso del usuario.
- Daños o fallas del producto causados por reemplazo de fusibles dañados o reseteo de interruptor de circuito.
- Daño o fallas causados por el uso del producto en un ambiente comercial (no domestico).
- Viajes de servicio para proporcionar una guía de uso o instalación.
- Bombillas, filtros de carbón o metal y cualquier otra parte consumible.
- Desgaste normal.
- Desgaste terminal debido a abusos del usuario, mantenimiento inadecuado, uso de productos / toallas de limpieza corrosivos o abrasivos y por uso de limpiadores para hornos.

**QUIEN ESTA CUBIERTO**

Esta garantía se extiende al comprador original de productos adquiridos para uso residencial en Norte America (incluyendo Estados Unidos, Guam, Puerto Rico, Islas Vírgenes de USA y Canadá).

Esta garantía no es transferible y aplica solamente al comprador original y no se extiende a propietarios subsecuentes del producto. Esta garantía se expresa en lugar de otras garantías, expresadas o implicadas, incluyendo, pero no limitada a ninguna garantía implicada de comercialización o adaptada para propósitos particulares y cualquier otra obligación por parte de Elica North America, considerando, sin embargo, que si la negación de garantías implícitas es inefectiva bajo la ley aplicable, la duración de cualquier garantía implícita será limitada a dos (2) años desde la fecha original de compra o por el periodo necesario como sea requerido por la ley aplicable.

Esta garantía no cubre cualquier daño especial, incidental y/o consecuente, ni pérdidas de ganancias, sufridas por el comprador original, sus clientes y/o usuarios del producto.

**A QUIEN CONTACTAR**

Para obtener Servicio bajo Garantía o para cualquier pregunta relacionada a Servicio.

Favor de llamar:

- Servicio Autorizado de Elica North America al (888) 732-8018

O escribiendo a:

- Elica North America, Atención a Servicio a Clientes, 222 Merchandise Mart Plaza, Suite 947, Chicago, IL 60654 USA  
infoamericas@elica.com

