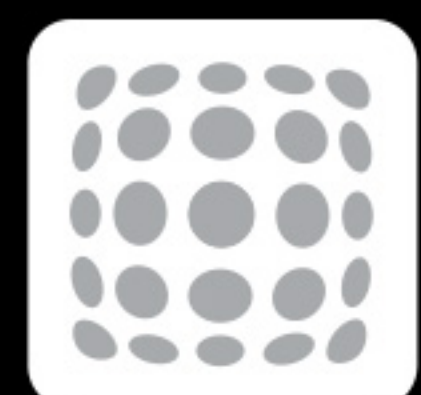


TWIN HANGING



Ambient light



≥ 20"



≥ 28"

COLLECTION



From the idea of the double, of symmetry, of the mirror that reflects an identical image, its from the essence of balance and proportion. The mystery of the twin, as if in one of Leonardo's games of reversal, repeats itself.

evolution



Halogen Lamps & Incandescent Ambient Lamps



Magic Wand Controls



Aluminium Mesh Grease Filter & Long Life Carbon Filter

MODELS

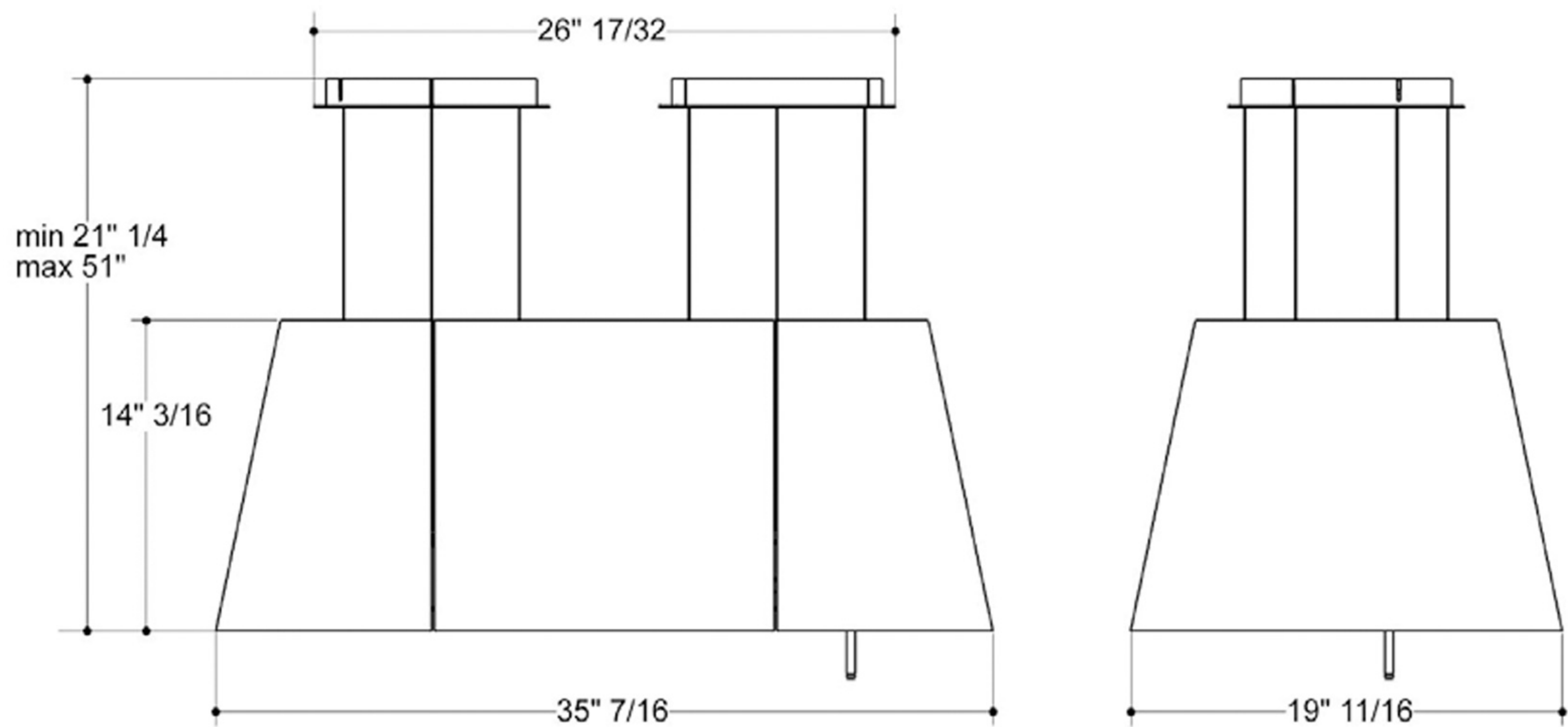
ETW536SS Twin 36" Stainless

DIMENSIONS

(35 ⁷/₁₆"W x 19 ¹¹/₁₆"D x 14 ³/₁₆"H)

FEATURES

Size (in) & Type Finish	36" Wide, Island Mounted Hood Stainless Steel	
Controls	Magic Wand	
Illumination	2, 20W Halogen Flood Lamps, 1 intensity 6, 40W Incandescent Ambient Lamps, 2 intensities	(Bulbs Included) (Bulbs Included)
Installation Type	Recirculating Installation Only	
Blower Type	550 CFM, 4-Speed Internal	
Blower Performance	Speed 1, 200 CFM, 0.3 Sones Speed 2, 325 CFM, 2.8 Sones Speed 3, 450 CFM, 4.0 Sones Speed 4, 550 CFM, 4.3 Sones	
Filter Type	2, Dishwasher-Grease Aluminium Filter 2, Long Life Carbon Filter (Included)	
Standard Ceiling Height	Range 6' 10" - 10' 1"	
Electrical	120V - 60 Hz 320 Watt at 2.7 Amps	



ACCESSORIES



Optional
Jet Remote
Control

CODE: KIT02183/1
MODEL: EXXRCDBL



Optional
Ceiling Heights
Range 6' 10" - 23' 4"

CODE: KIT01921
MODEL: EXXEEKSS



Optional
Long Life Carbon
Filter

(Two are needed)
CODE: RG006A
MODEL: EXXRCKEC