

VICTORIA

HANGING



Ambient light



≥ 20"



≥ 28"

COLLECTION



Victoria, with the timeless elegance of a monarchy, shimmering grace and sparkling gems draw the eye and almost demand a hypnotic attention. A marriage of two kinds of light and reflection create a royal bond and form a stately centerpiece for on-lookers to admire and enjoy.

evolution



Halogen Lamps & Incandescent Ambient Lamps



Magic Wand Controls



Aluminium Mesh Grease Filter & Long Life Carbon Filter

MODELS

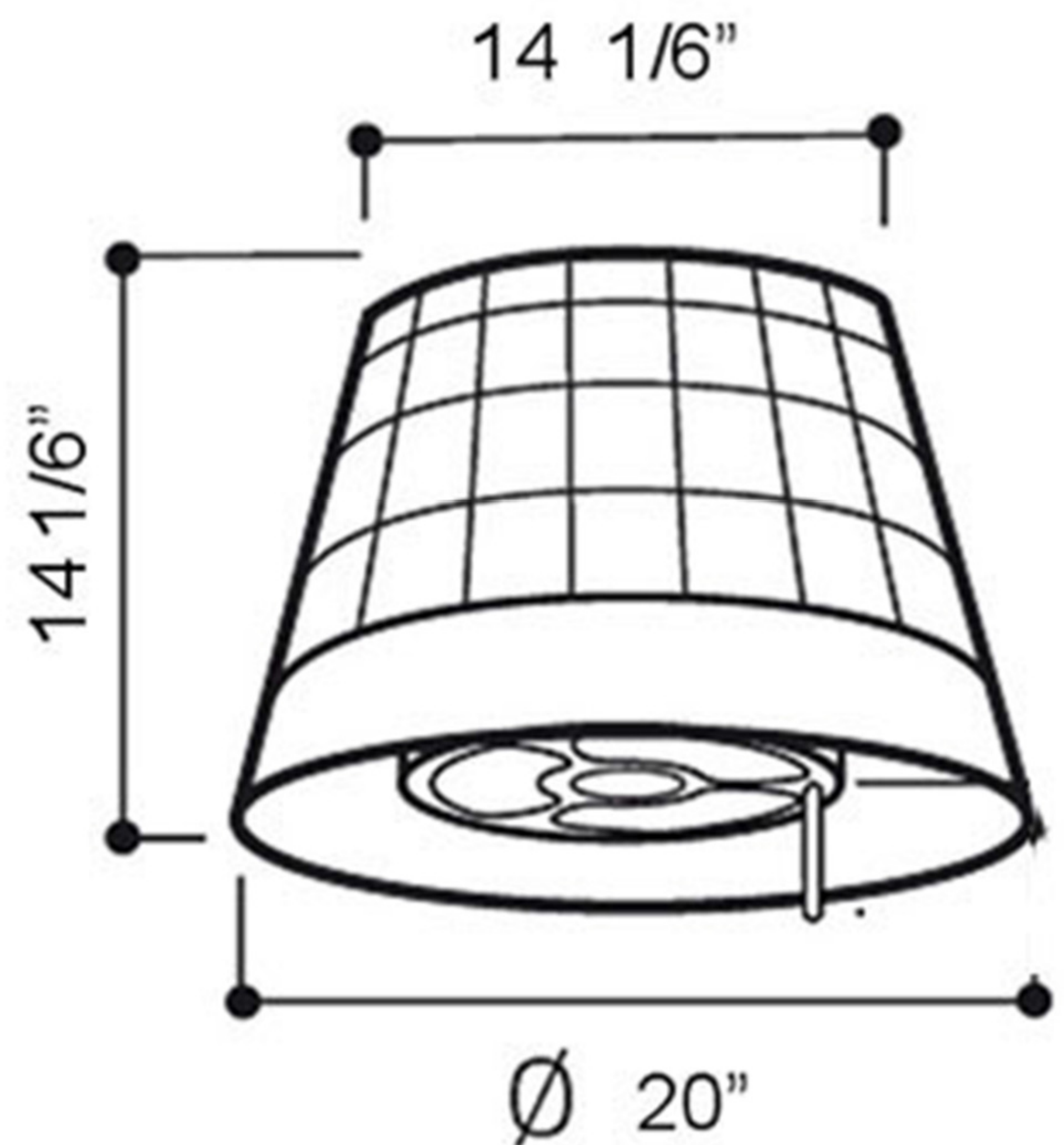
EVC320SS Victoria 20" Stainless & Glass

DIMENSIONS

(20"W x 14 1/6"H x 20"D)

FEATURES

Size (in) & Type Finish	20" Wide Island Hood Stainless Steel & Glass
Controls	Magic Wand
Illumination	1, 20W Halogen Flood Lamp, 1 Intensity (Bulbs Included) 3, 40W Incandescent Ambient Lamps, 2 Light Intensities
Installation Type	Recirculating Installation
Blower Type	300 CFM, 4-Speed Internal
Blower Performance	Speed 1, 100 CFM, 0.3 Sones Speed 2, 175 CFM, 2.1 Sones Speed 3, 250 CFM, 3.8 Sones Booster, 300 CFM, 4.1 Sones
Filter Type	1, Dishwasher-Grease Aluminium Filter 1, Long Life Carbon Filter (Included)
Standard Ceiling Height	Range 6' 10" - 10' 1"
Electrical	120V - 60 Hz 320 Watt at 2.7 Amps



ACCESSORIES



Optional
Jet Remote
Control

CODE: KIT02183/1
MODEL: EXXRCDBL



Optional
Ceiling Heights
Range 6' 10" - 23' 4"

CODE: KIT01921
MODEL: EXXEEKSS



Optional
Long Life Carbon
Filter

CODE: RG006A
MODEL: EXXRCKEC