

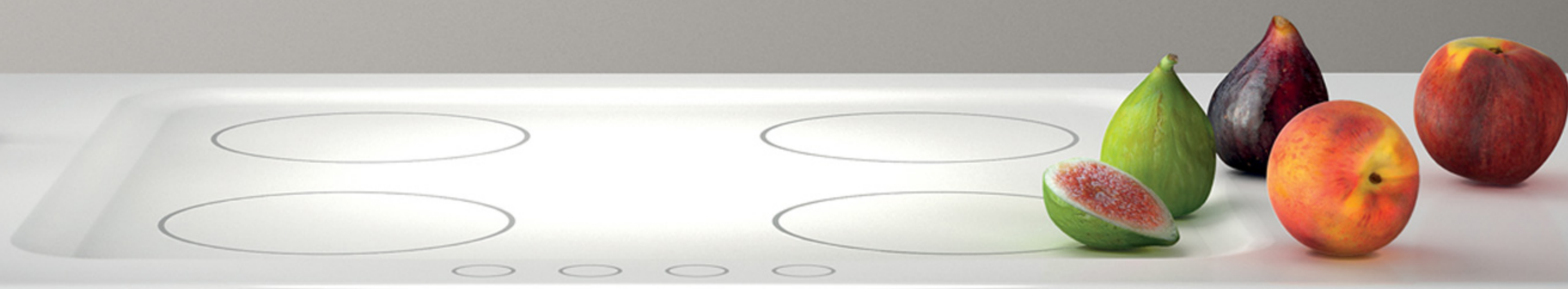
WAVE HANGING



Ambient light

≥ 20

≥ 20

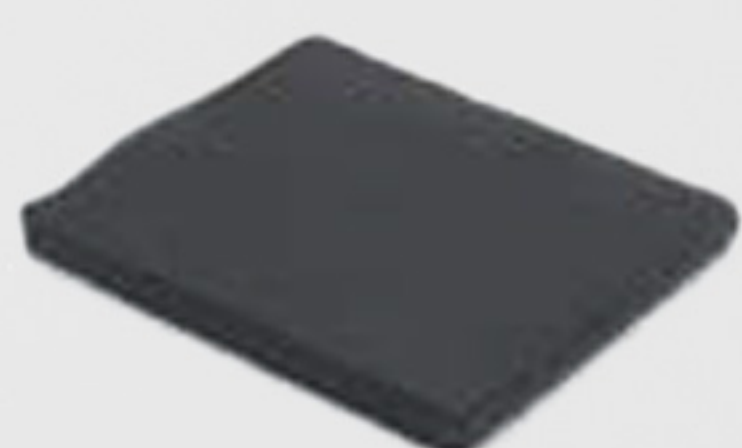


COLLECTION



Wave in the Finnish language is Aalto: recalling nature and the far north, with its unmistakable world of beautiful and useful objects, and recalling, as well, one of that world's foremost interpreters. Wave is not only about function: it is light in movement, air that assumes color, a gift that brings with it the magic poetry of the shadows.

(Wall installation with bracket possible)



MODELS

EWV320SS Wave 20" Stainless

DIMENSIONS

(19 ³/₄"W x 16 ⁷/₈"H x 19 ³/₄"D)

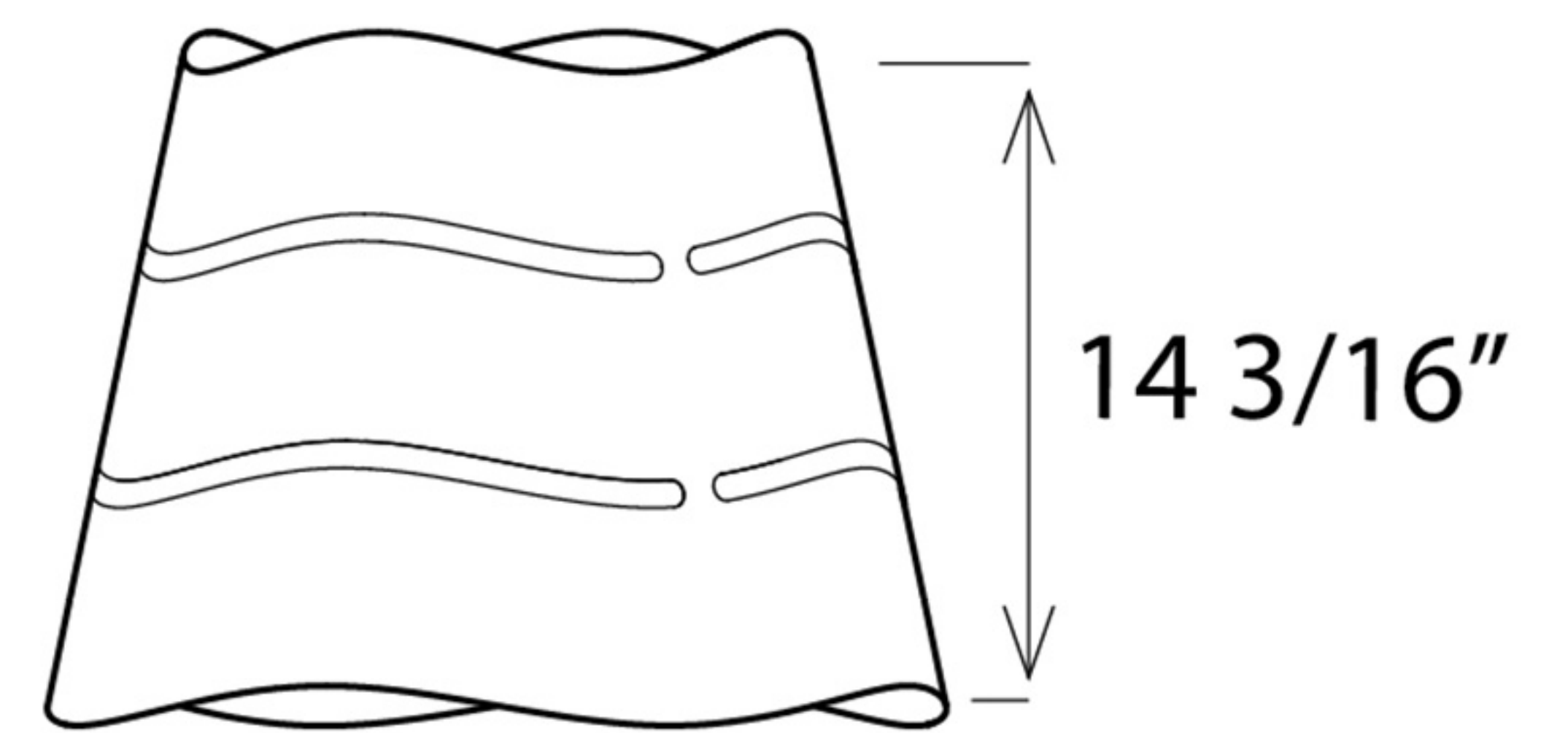
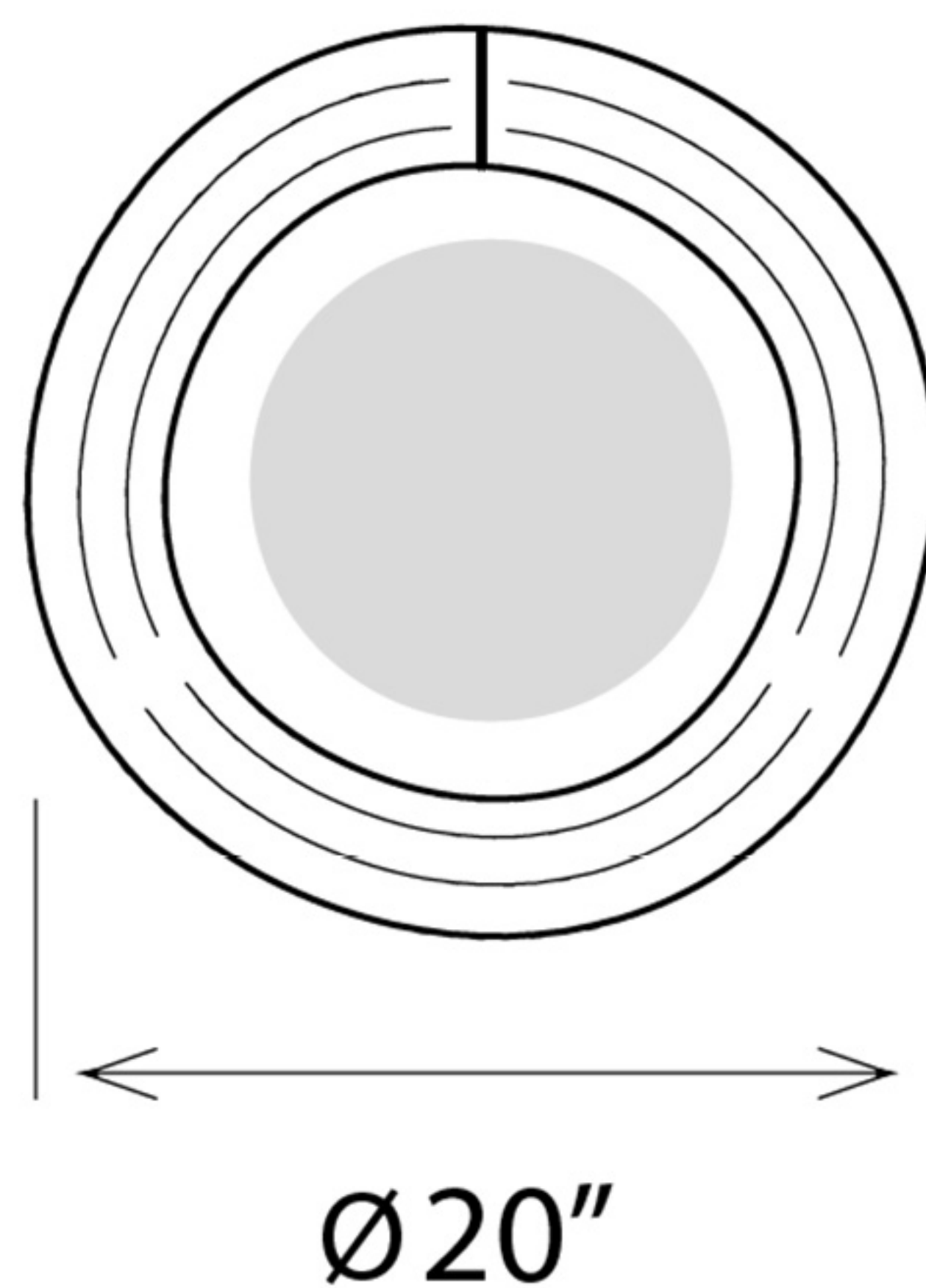
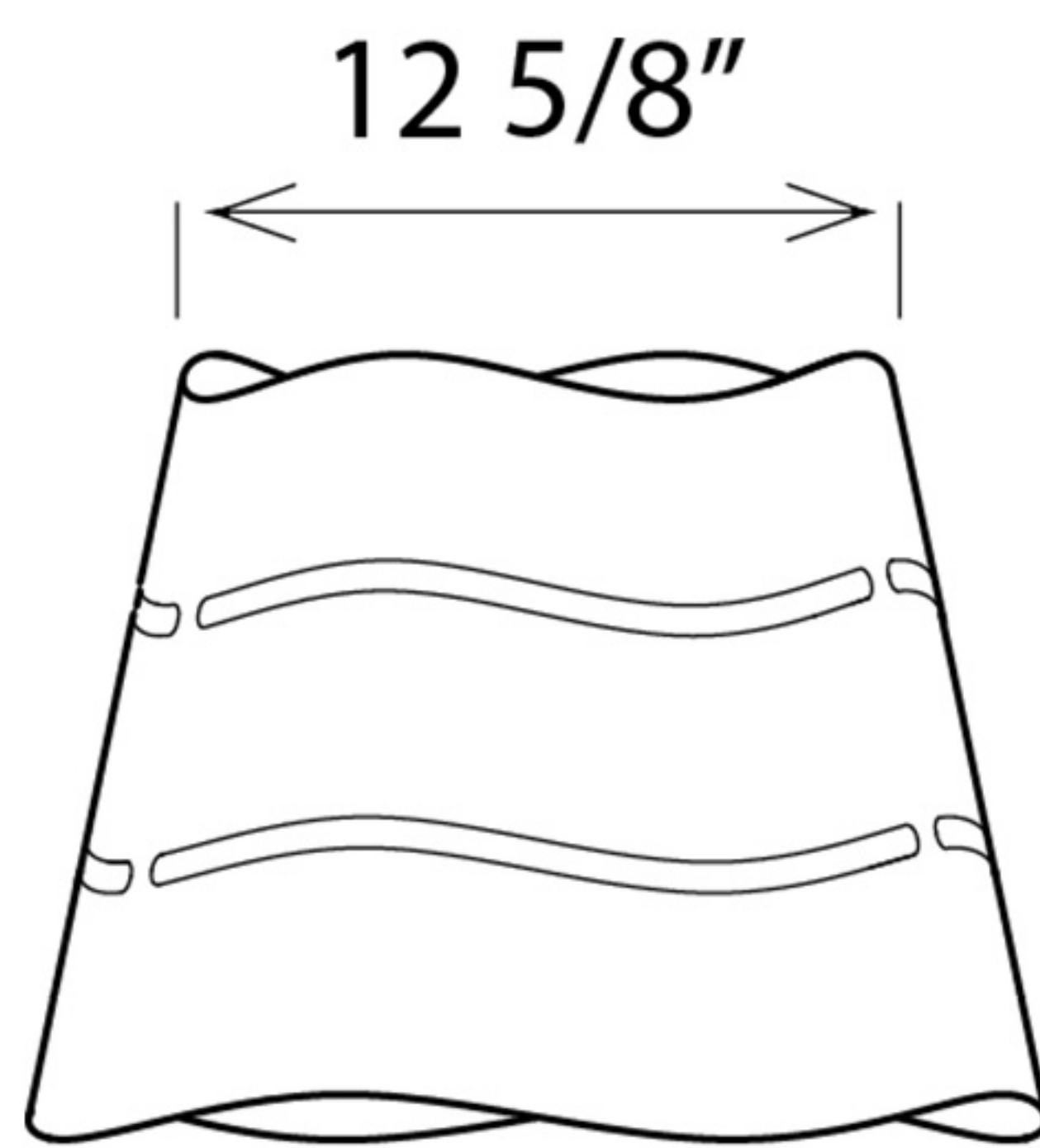
Halogen Lamps &
Incandescent Ambient Lamps

Soft Touch, Push Buttons
Controls

Aluminium Mesh Grease Filter &
Long Life Carbon Filter

FEATURES

Size (in) & Type Finish	20" Wide, Island/Wall Mounted Hood Stainless Steel
Controls	Soft Touch Illuminating
Illumination	2, 20W Halogen Lamps, 1 Intensity (Bulbs Included) 3, 40W Incandescent Ambient Lamps, 2 Intensities
Installation Type	Recirculating Installation Only
Blower Type	350 CFM, 3-Speed Internal
Blower Performance	Speed 1, 110 CFM, 0.3 Sones Speed 2, 220 CFM, 2.1 Sones Speed 3, 350 CFM, 3.8 Sones
Filter Type	1, Dishwasher-Grease Aluminium Filter 1, Long Life Carbon Filter (Included)
Standard Ceiling Height	Range 7' 3" - 11' 8"
Electrical	120V - 60 Hz 200 Watt at 1.7 Amps



ACCESSORIES



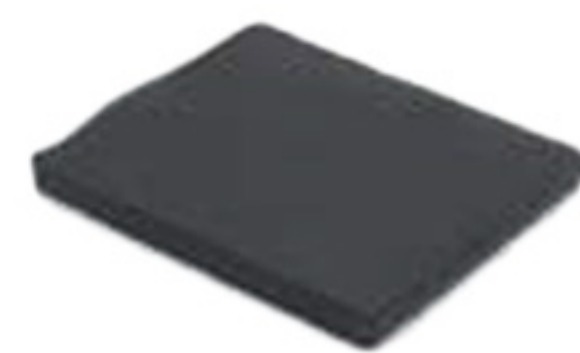
Optional
Wall Mounting
Bracket Kit

CODE: KIT02183/1
MODEL: EXXRCDBL



Optional
Ceiling Heights
Range 7' 3" - 23' 6"

CODE: KIT01921
MODEL: EXXEEKSS



Optional
Long Life Carbon
Filter

CODE: RG006A
MODEL: EXXRCKEC