

# EBS52SS1

Beverage & Wine Center | SINGLE DOOR DUAL ZONE



EPC  
TECHNOLOGY



QUIET  
OPERATION



ECO - MODE



OPEN DOOR  
ALARM



CON-  
CEALED



HIGH  
EFFICIENCY

ELICA'S EXCLUSIVE  
PLUS FEATURES

A brilliant solution that meet all your needs, RISERVA - EBS52SS1 24", features two different cooling zones, adjustable to different temperatures to preserve a variety of beverages and wines to their optimum freshness.

Its UV double layered tempered Glass Door shields bottles from aging, while Elica's Perfect Climate technology (EPC) ensures a consistent air flow between bottles for optimum preservation.

## STORAGE CAPACITY

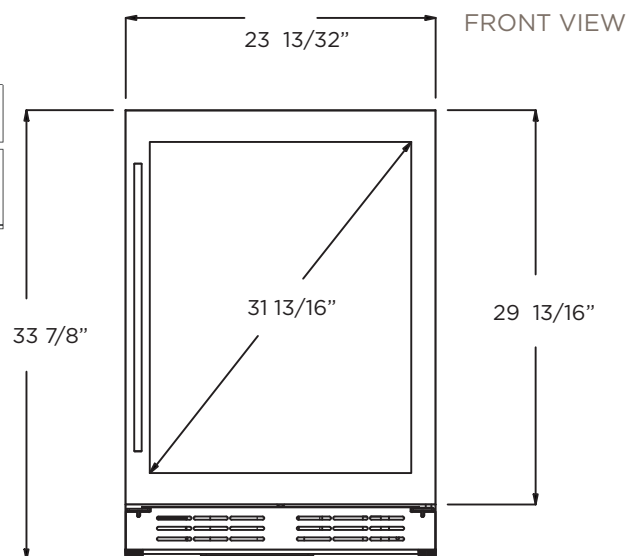
COOLING ZONE 1 -  
BEVERAGES Upper Rack  
MAX CAPACITY: 36 CANS (12 oz.)

COOLING ZONE 1 -  
BEVERAGES Bottom Rack  
MAX CAPACITY: 36 CANS (12 oz.)

COOLING ZONE 2 -  
WINES Upper Rack  
MAX CAPACITY: 8 BOTTLES (25 oz)

COOLING ZONE 2 -  
WINES Bottom Rack  
MAX CAPACITY: 6 BOTTLES (25 oz)

TOTAL MAX CAPACITY: 72 CANS + 14 BOTTLES  
\*Do not exceed Max Capacity, avoid product damage  
and losing warranty validation



# EBS52SS1

Beverage & Wine Center | SINGLE DOOR DUAL ZONE



PRODUCT DESCRIPTION <b>EBS52SS1</b>		DOOR	
Width	24"	Door Handle	Tubular
Dimensions	23 13/32" W x 33 13/16" H x 23 5/8"	Door Tempered Glass	Tinted Dual Pane, Low-e Argon-filled
Weight	128 lbs	Reversible Door	Yes
Installation Type	Built-in and Free Standing	<b>ELECTRICAL SPECIFICATIONS</b>	
Refrigerant Type	R600a	Compressor Brand	Embraco
Volume	4.8 cu ft (135L)	Min. Circuit Required	15 A
Sound Level	39 dBA	AC Power	110-120V/60HZ
Door Finish	304 Stainless Steel + Tempered Glass	Amperage	0.95 A
Cabinet Finish	Black	Plug Type	B
Interior Finish	Black	<b>OTHER FEATURES</b>	
Hinge Design	Concealed	Superior Full Extension Racks	
Lighting	3 Level White LED	Beverage Shelving made of Tempered Glass	
Controls	Capacitive Touch with Display with white numbers	Premium Beechwood Wine Racks	
		White LED Lights with 3 level KELVIN shade adjustment	
<b>COOLING ZONE 1 - BEVERAGES</b>		Anti Vibration Technology	
Total Capacity	72 cans (12 oz cans)	Double Panel Tempered Glass Door, UV coated	
Temperature Range	34 to 50°F	Sabbath Mode	
Shelving	2 Adjustable Slide-Out Tempered Glass Shelves	Stylish look with tubular handle	
		Carbon Filter Replacement	L00114-1
<b>COOLING ZONE 2 - WINES</b>		<b>KITS</b>	
Total Capacity	14 Bottles of Wine (25 oz)	PRO Handle	KIT0175505
Temperature Range	40 to 64° F	<b>WARRANTY</b>	
Shelving	1 Full Extension Rack of Beechwood with Metal Front Trim	2+1 Year Parts and In-Home Labor Warranty. Third year awarded after product registration on <a href="http://www.elica.com">www.elica.com</a>	

## LINE DRAWING

