



Use, Care, and Installation Guide
Guide d'utilisation, d'entretien et d'installation
Guía de instalación, uso y mantenimiento

READ AND SAVE THESE INSTRUCTIONS
LISEZ CES INSTRUCTIONS ET CONSERVEZ-LES
LEA Y GUARDE ESTAS INSTRUCCIONES

EN	Contents	page	3
FR	Sommaire	page	25
ES	Contenido	página	47

Contents

Important safety Notice	4
Electrical & Installation requirements	8
Electrical requirements.....	8
Before installing.....	8
List of Materials	9
Parts supplied.....	9
Dimensions and Clearances	10
Use	13
Cooking containers.....	13
Energy saving.....	13
Installation	14
Preparation of the hood for installation:.....	14
Description of the hood & Controls	15
Controls.....	16
Cooking tables.....	19
Cooking tables.....	20
User Servicing and Maintenance Instructions	21
Cleaning.....	21
Troubleshooting.....	22
Customer service.....	22
Warranty	23

READ AND SAVE THESE INSTRUCTIONS

Important safety Notice

COOKTOP SAFETY

We have provided many important safety messages in this manual and on your appliance. Always read and obey all safety messages.



This is the safety alert symbol.
This symbol alerts you to potential hazards that can kill or hurt you and others.
All safety messages will follow the safety alert symbol and either the word "DANGER" or "WARNING."
These words mean:

⚠ DANGER

You can be killed or seriously injured if you don't immediately follow instructions

⚠ WARNING

You can be killed or seriously injured if you don't follow instructions.

All safety messages will tell you what the potential hazard is, tell you how to reduce the chance of injury, and tell you what can happen if the instructions are not followed.

IMPORTANT SAFETY INSTRUCTIONS

WARNING: To reduce the risk of fire, electrical shock, injury to persons, or damage when using the cooktop, follow basic precautions, including the following:

- **CAUTION:** Do not store items of interest to children in cabinets above a cooktop – Children climbing on the cooktop to reach items could be seriously injured.
- **Proper Installation** – Be sure your cooktop is properly installed and grounded by a qualified technician.
- **Never Use Your Cooktop for Warming or Heating the Room.**
- **Do Not Leave Children Alone** – Children should not be left alone or unattended in area where cooktop is in use. They should never be allowed to sit or stand on any part of the cooktop.
- **Wear Proper Apparel** – Loose-fitting or hanging garments should never be worn while using the cooktop.
- **User Servicing** – Do not repair or replace any part of the cooktop unless specifically recommended in the manual. All other servicing should be referred to a qualified technician.
- **Storage on Cooktop** – Flammable materials should not be stored near surface units.
- **Do Not Use Water on Grease Fires** – Smother fire or flame or use dry chemical or foam-type extinguisher.
- **Use Only Dry Potholders** – Moist or damp potholders on hot surfaces may result in burns from steam. Do not let potholder touch hot heating elements. Do not use a towel or other bulky cloth.
- **DO NOT TOUCH SURFACE UNITS OR AREAS NEAR UNITS** – Surface units may be hot even though they are dark in color. Areas near surface units may become hot enough to cause burns. During and after use, do not touch, or let clothing or other flammable materials contact surface units or areas near units until they have had sufficient time to cool. Among those areas are the cooktop and surfaces facing the cooktop.
- **Use Proper Pan Size** – This cooktop is equipped with one or more surface units of different size. Select utensils having flat bottoms large enough to cover the surface unit heating element. Proper relationship of utensil to burner will also improve efficiency.

- **Never Leave Surface Units Unattended at High Heat Settings** – Boilover causes smoking and greasy spillovers that may ignite.
- **Glazed Cooking Utensils** – Only certain types of glass, glass/ceramic, ceramic, earthenware, or other glazed utensils are suitable for cooktop service without breaking due to the sudden change in temperature.
- **Utensil Handles Should Be Turned Inward and Not Extend Over Adjacent Surface Units** – To reduce the risk of burns, ignition of flammable materials, and spillage due to unintentional contact with the utensil, the handle of a utensil should be positioned so that it is turned inward, and does not extend over adjacent surface units.
- **Do Not Cook on Broken Cooktop** – If cooktop should break, cleaning solutions and spillovers may penetrate the broken cooktop and create a risk of electric shock. Contact a qualified technician immediately.
- **Clean Cooktop With Caution** – If a wet sponge or cloth is used to wipe spills on a hot cooking area, be careful to avoid steam burn. Some cleaners can produce noxious fumes if applied to a hot surface.

For units with ventilating hood –

- **Clean Ventilating Hoods Frequently** – Grease should not be allowed to accumulate on hood or filter.
- **When flaming foods under the hood, turn the fan on.**

For units with coil elements –

- **Make Sure Reflector Pans or Drip Bowls Are in Place** – Absence of these pans or bowls during cooking may subject wiring or components underneath to damage.
- **Protective Liners** – Do not use aluminum foil to line surface unit drip bowls, except as suggested in the manual. Improper installation of these liners may result in a risk of electric shock, or fire.
- **Do Not Soak Removable Heating Elements** - Heating elements should never be immersed in water.

SAVE THESE INSTRUCTIONS

This induction cooktop generates and uses ISM frequency energy that heats cookware by using an electromagnetic field. It has been tested and complies with Part 18 of the FCC Rules for ISM equipment. This induction cooktop meets the FCC requirements to minimize interference with other devices in residential installation.

This induction cooktop may cause interference with television or radio reception. If interference occurs, the user should try to correct the interference by:

- Relocating the receiving antenna of the radio or television.
- Increasing the distance between the cooktop and the receiver.
- Connecting the receiver into a different outlet.

It is the user's responsibility to correct any interference.

NOTE: People with a pacemaker or similar medical device should use care when standing near this induction cooktop while it is on. The electromagnetic field may affect the pacemaker or similar device. Consult your doctor or the manufacturer of the pacemaker or similar medical device for additional information about its effects with electromagnetic fields of the induction cooktop.

Attention! Strictly observe the following instructions:

- The device must be disconnected from the electric network before doing any installation work.
- Installation or maintenance must be performed by a qualified technician, in compliance with the manufacturer's instructions and with the local regulations on safety. Do not repair or replace any part of the device unless specifically stated in the operating manual.
- Earthing the device is compulsory.
- The power cable must be long enough to allow the connection of the device, recessed in the cabinet, to the electric network.
- So that the installation complies with current safety standards, a regular omnipolar switch is required that assures the complete disconnection of the mains under conditions of overvoltage category III, in accordance with the installation rules.
- Do not use multiple sockets or extensions.
- Once installation is complete, the electrical components must no longer be accessible by the user.
- The equipment and the accessible parts become very hot during use. Be careful not to touch the heating elements.
- This device can be used by children from the age of 8 and by people with reduced physical, sensory or mental capabilities or lack of experience and knowledge if they are properly supervised or if they have been trained on safely using the device and if they are aware of the related dangers. Children must not play with the device. Cleaning and maintenance should not be performed by unsupervised children.
- Be careful that children do not play with the device; keep children away and supervise them, because the accessible parts may become very hot during use.

-For people with pacemakers and active implants it is important to check, prior to using the induction hob, that their pacemaker is compatible with the device.

-During and after use, do not touch the heating elements of the device.

-Avoid contact with cloths or other flammable material until all the device components have sufficiently cooled.

-Do not place flammable materials on or near the device.

-Overheated fats and oils easily catch fire. Supervise the cooking of foods rich in fat and oil.

-Cleaning and maintenance operations executable by the user must not be performed by children without the supervision of a responsible person.

-It is compulsory to install a separator panel (not supplied) in the space under the device.

-If the surface is cracked, switch off the device to avoid the possibility of electric shock.

-The device is not intended to be put into operation by means of an external timer or a separate remote control system.

-Unattended cooking on a hob with oil or fat can be dangerous and can cause a fire.

- The cooking process must be supervised. A short-term cooking process must be constantly monitored.

- NEVER attempt to put out fires using water. Instead, turn off the device and smother the flames, for example with a lid or a fire blanket. Fire hazard: do not place objects on the cooking surfaces.

-Do not use steam cleaners.

- Do not place metallic objects such as knives, forks, spoons, and lids on the cooktop surface since they can get hot.

-Before connecting the model to the electric network: check the data plate (on the bottom of the device) to ensure that the voltage and power correspond to the network and that the connection socket is suitable. If in doubt, consult a qualified electrician.

Important:

- After use, switch off the hob from its control device and do not rely on the pan detector.
- Avoid spills, when boiling or heating liquids, reduce the heat supply.
- Do not leave the heating elements on with pots and pans empty or without containers.
- Once cooking is completed, turn off the relevant zone.
- Never use aluminium foil to cook with, or place products packaged with aluminium. The aluminium would melt and irreparably damage your device.
- Never heat a tin or a tin can containing foods without first opening it: it might explode!

This warning applies to all types of hobs.

- The use of a high power such as the booster function is not suitable for heating some liquids such as oil for frying. Excessive heat can be dangerous. In these cases we recommend the use of a lower power.
- The containers must be placed directly on the hob and should be centred. Under no circumstances insert anything between the pan and the hob.
- In situations of high temperature, the device automatically decreases the power level of the cooking zones.

Electrical & Installation requirements

Electrical requirements

Fig. 2

- Disconnect the device from the electrical network
- The installation must be performed by professionally qualified personnel familiar with the applicable installation and safety standards.
- The manufacturer declines any liability to people, animals or things in the case of failure to follow the guidelines provided in this chapter.
- Make sure that the voltage on the rating plate on the bottom of the device corresponds to that of the house where it will be installed.
- Do not use extension cords.
- Earthing is required by law

IMPORTANT

Observe all governing codes and ordinances.

It is the customer's responsibility:

To contact a qualified electrical installer.

To assure that the electrical installation is adequate and in conformance with National Electrical Code, ANSI/NFPA 70 — latest edition*, or CSA Standards C22.1-94, Canadian Electrical Code, Part 1 and C22.2 No.0-M91 - latest edition** and all local codes and ordinances.

If codes permit and a separate ground wire is used, it is recommended that a qualified electrician determine that the ground path is adequate.

Do not ground to a gas pipe.

Check with a qualified electrician if you are not sure range hood is properly grounded.

Do not have a fuse in the neutral or ground circuit.

IMPORTANT

Save Installation Instructions for electrical inspector's use.

The range hood must be connected with copper wire only.

The range hood should be connected directly to the fused disconnect (Or circuit breaker) box through metal electrical conduit.

Wire sizes must conform to the requirements of the National Electrical Code ANSI/NFPA 70 — latest edition*, or CSA Standards C22.1-94, Canadian Electrical Code Part 1 and C22.2 No. 0-M91 - latest edition** and all local codes and ordinances.

A U.L.- or C.S.A.-listed conduit connector must be provided at each end of the power supply conduit (at the range hood and at the junction box).

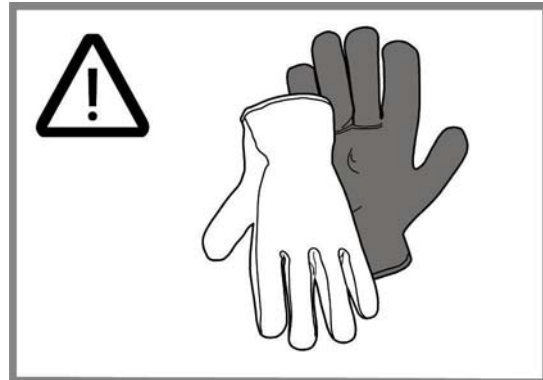
Copies of the standards listed may be obtained from:

* National Fire Protection Association Batterymarch Park Quincy, Massachusetts 02269

** CSA International 8501 East Pleasant Valley Road Cleveland, Ohio 44131-5575

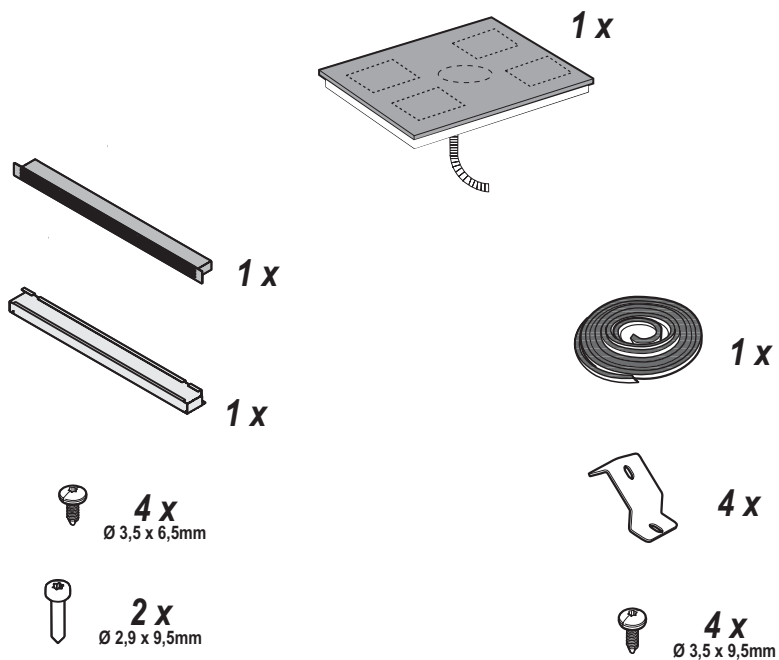
Before installing

At least two people are necessary for installation.
Wear gloves to protect against sharp edges.



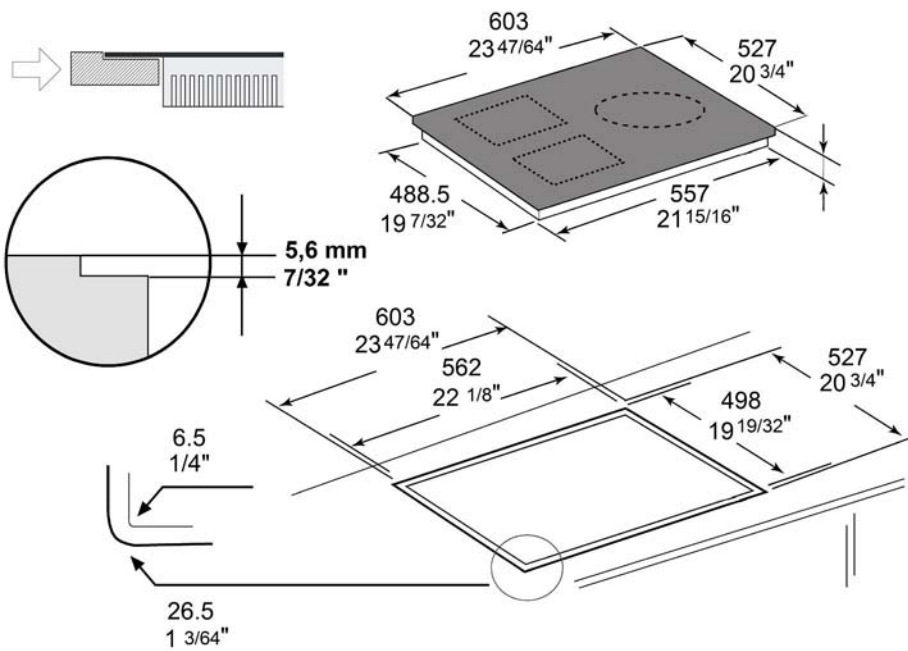
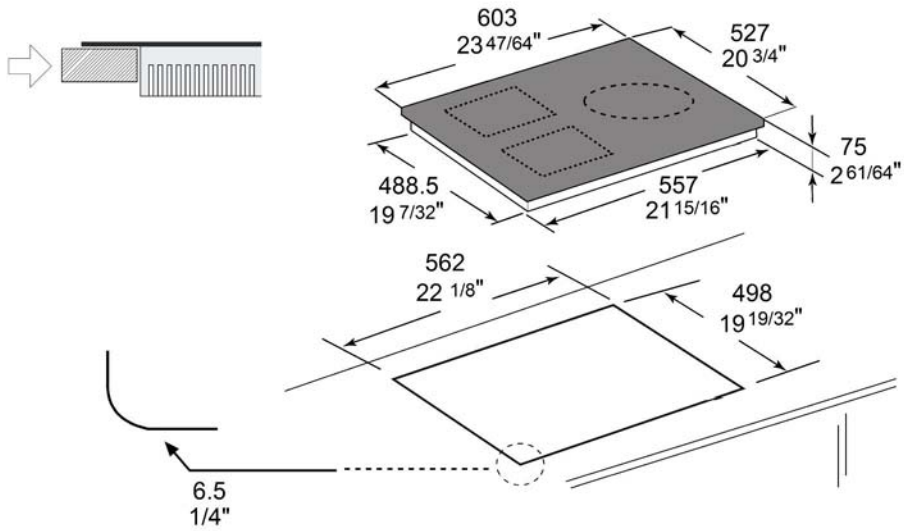
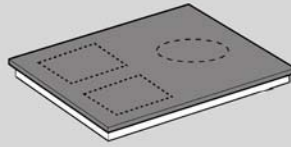
List of Materials

Parts supplied

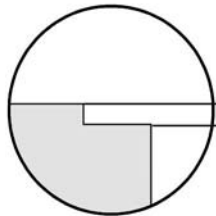
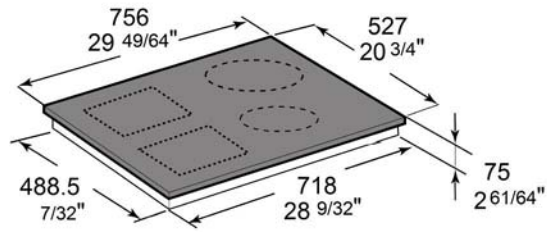
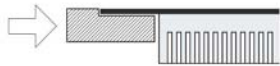
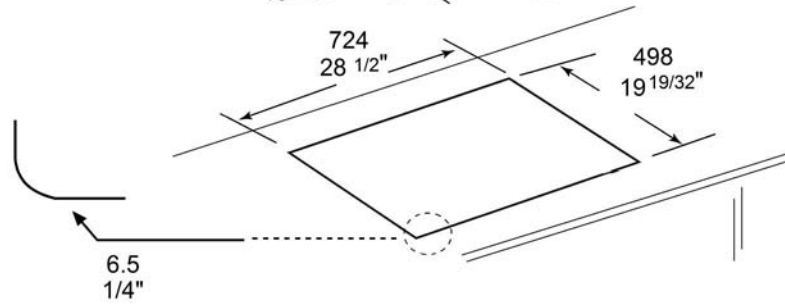
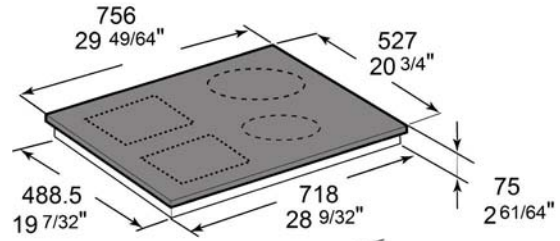
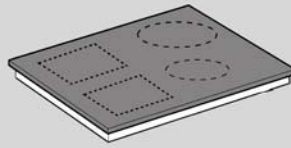


Dimensions and Clearances

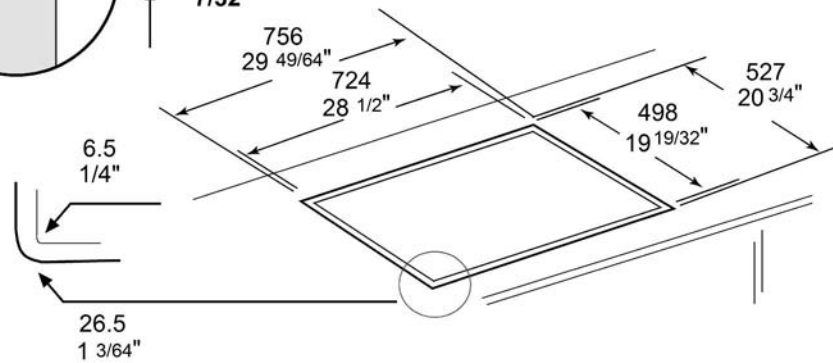
24"



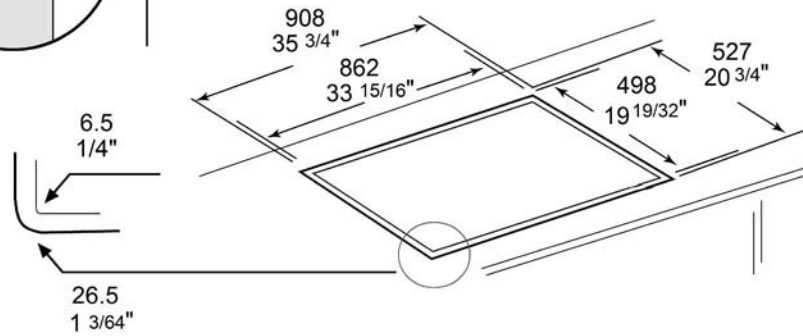
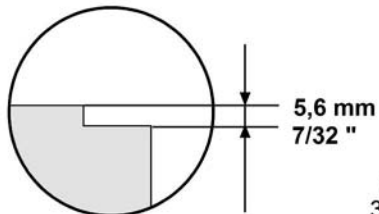
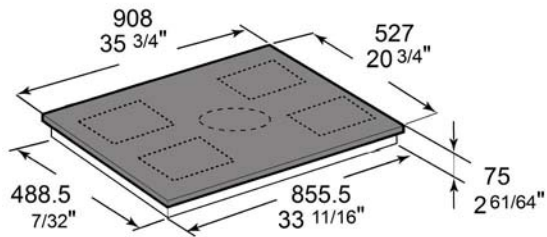
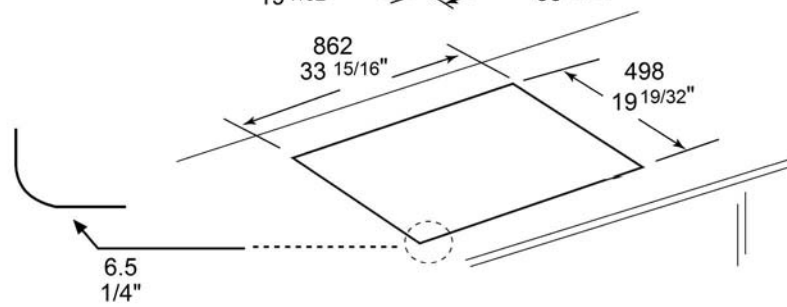
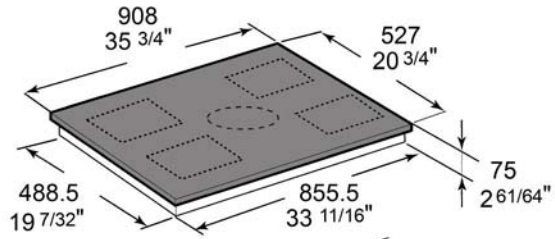
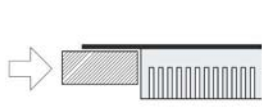
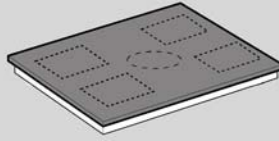
30 "



5,6 mm
7/32 "



36"



Use

The induction cooking system is based on the physical phenomenon of magnetic induction. The main characteristic of this system is the direct transfer of energy from the generator to the pot.

Advantages:

When compared to electric hobs, your induction hob is:

- **Safer:** lower temperature on the glass surface.
- **Faster:** shorter food heating times.
- **More accurate:** the hob immediately reacts to your commands
- **More efficient:** 90% of the absorbed energy is transformed into heat. Moreover, once the pot is removed from the hob, heat transmission is immediately interrupted, avoiding unnecessary heat losses.

Cooking containers



Use only pots bearing the symbol

Important:

to avoid permanent damage to the hob surface, do not use:

- containers with less than perfectly flat bottoms.
- metal containers with enamelled bottoms.
- containers with a rough base, to avoid scratching the hob surface.
- never place hot pots and pans on the surface of the hob's control panel

Pre-existing containers

Induction cooking uses magnetism to generate heat. Containers must therefore contain iron. Check if the pot material is magnetic using a magnet. Pots are not suitable if they are not magnetically detectable.

Recommended pan bottom diameters

IMPORTANT: if the pots are not correctly sized, the cooking zones will not turn on

For details of the minimum pot diameter that needs to be used on each zone, see the illustrated part of this manual.

Energy saving

Recommendations for best results:

- Use pots and pans with a bottom diameter equal to that of the cooking zone.
- Use only pots and pans with flat bottoms.
- Where possible, keep the lid on pots during cooking
- Cook vegetables, potatoes, etc. with a small amount of water to reduce cooking time.
- Use a pressure cooker, it further reduces the energy consumption and cooking time
- Place the pot in the centre of the cooking zone drawn on the hob.

Installation

Preparation of the hood for installation:

Before starting the installation:

- After unpacking the product, check that it has not been damaged during transport and in the case of problems, contact your dealer or Customer Service, before proceeding with the installation.
- Check that the product is the right size for the installation location.
- Check for accessories inside the packaging (placed there for ease of transport) such as bags containing screws, the warranty card, etc.. Remove them and keep them safe.
- Also check that there is a power socket near the installation area

Preparing the cabinet for installation:

- As the bottom of the product must not be accessible after installation, a separator panel must always be installed (for protection) under the hob (not supplied with the product), if it is accessible after installation.
- If installing an oven under the top, do not interpose the separator panel.
- If an oven is positioned under the induction hob it is preferable that it is equipped with a cooling fan.
- Do not use the induction hob while the PYROLYTIC cleaning of the oven is in operation.
- Avoid installing the hob above dishwashers or washing machines so that the electronic circuits do not come into contact with steam and moisture which could damage them.
- The distance between the bottom of the device and the partition panel (or any device installed below the induction hob) must comply with the sizes indicated.
- To correctly operate the product, do not obstruct the minimum opening between the worktop and the upper side of the cabinet top.
- For adequate ventilation and to allow fresh air to circulate, there must be openings in the kitchen cabinet, following the dimensions indicated.
- Cut the cabinet before inserting the hob and carefully remove shavings or sawdust.

Fig. 1a /1b

CAUTION! Failure to install screws and fasteners in accordance with these instructions may result in electrical hazards.

Electrical connection

WARNING

Electrical Shock Hazard

Warning: Turn off power circuit at the service panel before wiring this unit.

120 VAC, 15 or 20 Amp circuit required.

ELECTRICAL GROUNDING INSTRUCTIONS

THIS APPLIANCE IS FITTED WITH AN ELECTRICAL JUNCTION BOX WITH 3 WIRES, ONE OF WHICH (GREEN/YELLOW) SERVES TO GROUND THE APPLIANCE. TO PROTECT YOU AGAINST ELECTRIC SHOCK, THE GREEN AND YELLOW WIRE MUST BE CONNECTED TO THE GROUNDING WIRE IN YOUR HOME ELECTRICAL SYSTEM, AND IT MUST UNDER NO CIRCUMSTANCES BE CUT OR REMOVED.

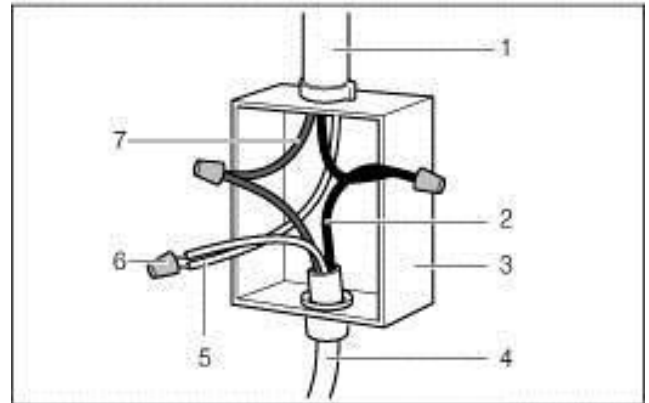
Failure to do so can result in death or electrical shock.

Remove the knockout and the Junction box cover and install the conduit connector (cULus listed) in junction box.

The branch-circuit breakers ampacity, the wire sizes and the connections must be conform to the requirements of the National Electrical Code or Canadian Electrical Code and all local codes and ordinances. Attach flexible conduit to the junction box.

Connect the lead wires to the junction box supply wires in proper phase:

- black (L1) to black
- red (L2) to red
- green or bare to ground

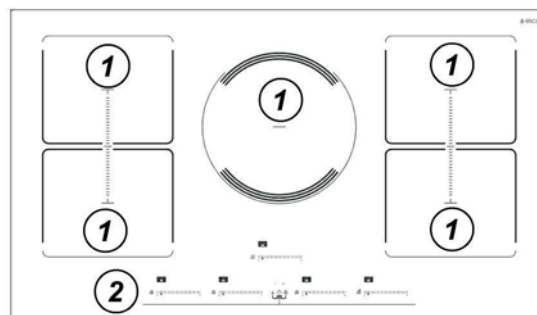
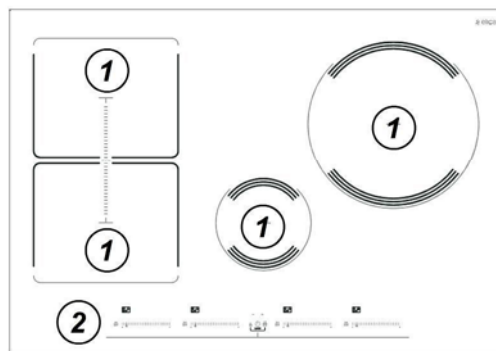
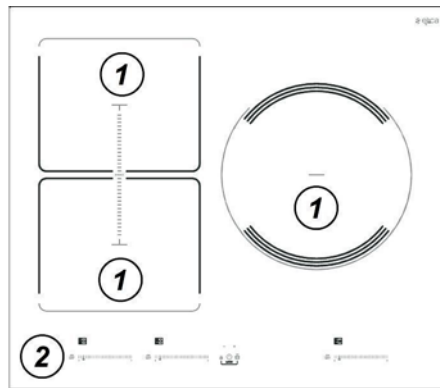


- 1 House power supply cord
- 2 Black wire
- 3 Junction box
- 4 Cooktop power supply cord
- 5 Grounded green or bare cable
- 6 Certified UL connector
- 7 Red wire

If the cooktop is installed and connected as specified above, it will be completely grounded in compliance with the National Electrical Code.

Sequences installation - pag. 68

Description of the hood & Controls



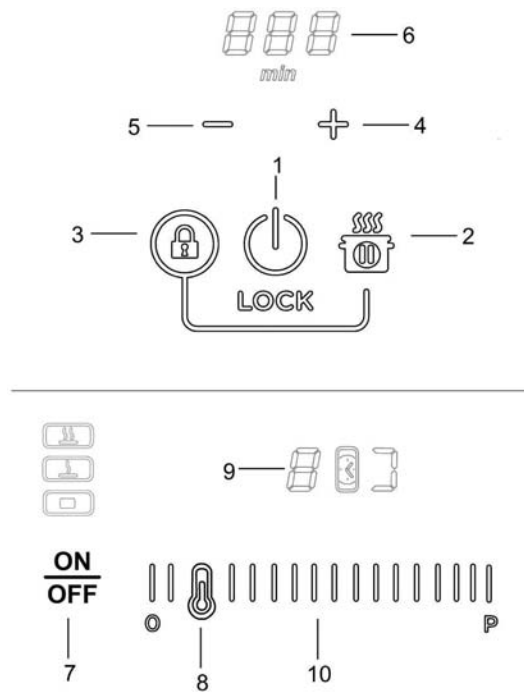
- 1 - Cooking zones
- 2 - Control Panel

Controls

Control panel

The hob has a smart and sophisticated wireless communication system, able to communicate with some special connectible Elica hoods. Depending on the use of the hob and what you are cooking, such hoods receive information from the surface, process it and automatically and optimally activate so as to eliminate any waste. See www.elica.com to check the range of hoods connectible with your hob.

Note: To select the commands, simply touch (press) the symbols representing them.



Main Functions

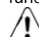
1. Cooktop ON/OFF function
2. "Pause / Recall" function
3. "Key Lock" function
"Child Lock" function (if pressed at the same time as 2.)
4. Timer activation (if pressed at the same time as 5.)
Increase Timer
5. Timer activation (if pressed at the same time as 4.)
Decrease Timer
6. Timer display
7. Zone ON/OFF function
8. Temperature Manager function selector
9. Cooking zone display
10. Cooking zone and operating level (power) selection bar.

Before you begin, it is important to know:

All functions of this cooktop are designed to comply with the most stringent safety regulations.

For this reason:

- Some functions will not be activated, or will be automatically deactivated, in the absence of pots on the burners or when they are poorly positioned.
- In other cases the activated functions will be automatically deactivated after a few seconds, if the specific function requires a further setting that has not been selected (e.g.: "Turn the cooktop on" without "Selecting the cooking zone" and the "Operating temperature", or the "Lock Function" or the "Timer" function).

 **Caution!** In the case (for example) of prolonged use, the cooking zone may not immediately switch off because it is in the cooling phase; the "H" symbol will appear on the cooking zone display to indicate that this phase is in progress. Wait for the display to turn off before approaching the cooking zone.

Cooking zone display

The following is shown on the cooking zone displays:

Cooking zone on	0
Operating level (Power)	1...9.P
Cooking zone cooling	H
Pot detection problems	H
Bridge Function active]
Temperature Manager Function active	U
Key Lock / Child Lock Function active	L

Cooktop characteristics

● Safe Activation

The product is activated only in the presence of pots on the cooking zone: the heating process does not start or is interrupted if there are no pots, or if these are removed.

● Pot Detector

The product automatically detects the presence of pots on the cooking zones.

● Safety Shut Down

For safety reasons, each cooking zone has a maximum operating time, which depends on the maximum power level set.

● Residual Heat Indicator

When one or more cooking zones shut down, the presence of residual heat is indicated by a visual signal on the corresponding zone display, by way of the "H" symbol.

Operation

Note: Before activating any functions, the desired zone must be enabled

● Turn on the cooktop:

Press (touch) the **Cooktop ON/OFF** function (1), the indicator light turns on to indicate that the cooktop is ready for use.

Press again to turn off the cooktop

Note: This function has priority over the others.

● Select the cooking zone:

Press the **Cooking zone ON/FF** function (7) corresponding to the desired cooking zone; the indicator light turns on to indicate that the cooktop is ready for a power level to be set.

Note: the cooking zone is automatically selected when a pot is rested on top

● Operating level (Power):

Touch and slide your fingers along the **Selection bar (10)**:

to the right to increase the level of power;

to the left to decrease the level of power.

Booster level (Power) "P" (timed):

to activate the **Booster level (Power)**, slide your fingers along the **Selection bar (10)** towards the right (or press in the zone relative to the letter "P")

The "Booster" lasts for 10 minutes, after which the temperature lowers to the previous level.

Note: the timer keeps the "Booster" set even if the pot is removed: the cooking zone is deactivated and then reactivated in "Booster" mode for the remaining number of minutes, as soon as the pot is repositioned.

● Bridge Function

Allows two cooking zones to be used at the same time: two nearby cooking zones can be used in combination.

(see the illustrated part of this manual)

To activate the **Bridge Function**:

- Simultaneously select the selection bars of the two cooking zones you wish to use,

- on display (9) of the selected cooking zones the following symbols will appear: " [] "

- on display (9) of the front cooking zone, the **Operating level (Power)** will be displayed (and can be set).

Note: to deactivate the **Bridge Function** simultaneously press the selection bars of the cooking zones again.

● Timer (4 -5)

The Timer is activated by pressing the symbol "+" (4) and the symbol "-" (5), at the same time;

as soon as the timer has completed the countdown, a buzzer sounds (for 2 minutes, or stops when any key on the cooktop is pressed), while display (6) with the symbol "0:00" flashes.

Note: the timer is a simple warning buzzer, which at the end of the set minutes **DOES NOT turn off the cooking zone**

Timer regulation

- Select the cooking zone.

- Press the symbol "+" (4) and the symbol "-" (5) at the same time to access the regulation function.

- Regulate the duration of the Timer:

use the symbol "+" (4) and the symbol "-" (5) respectively to increase or decrease the automatic shut down time.

If desired, repeat the operation for the other cooking zones.

Note: Each cooking zone can be set with a different Timer; on display (6) a countdown of the shortest remaining time will be shown;

To switch off the Timer:

- set the value of the timer to "0"
- switch off the cooktop (1) or the cooking zone (7)

Note: the function remains active if no other key is pressed in the meantime.

Note: on the display of the cooking zone with Timer in use, the following symbol

appears: " ⏱ "

● Key Lock

The Key Lock allows cooktop settings to be blocked, thus preventing accidental tampering, leaving set functions active.

Activation:



- press  (3)
- The LED above the button will turn on to indicate that it has been activated

Repeat the operation to deactivate.

● **Child Lock**

The Child Lock makes it possible to prevent children from accidentally accessing the cooking zone, preventing the activation of any functions. The Child Lock can only be activated when the product is on, but with the cooking zone off.

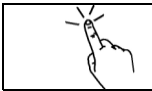

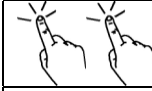

Activation:

- remove any pots from the cooktop
- simultaneously press and hold  (3) and  (2), an acoustic signal will sound to indicate that the function is active and "L" will appear on displays (6) and (9).

Repeat the operation to deactivate.

● **Temperature Manager Function**

- Select the desired cooking zone (7).
- Hold and press the **Temperature Manager Selector** (8) one or more times to select the most suitable level from among the options:


	Melting*	
	Warming*	
* See the "Temperature Manager" table at the end of this chapter.		

- Press again to turn it off.

● **Pause**


The Pause function allows active functions on the cooktop to be suspended, bringing the cooking power to zero.

Activation:

- press  (2)
- "P" will appear on the displays (13).

To deactivate the function:

Note : this operation restores the cooktop conditions prior to the pause.

- press  (10)
- within 10 seconds slide your fingers to the right along the **Selection bar** (3) relative to cooking zone 2 (FIG.19):



Note : if the operation is not performed within this time the pause function will remain active.

Note: if after 10 minutes the **Pause Function** is not deactivated, the cooktop will turn off automatically.

● **Recall**

The Recall function allows the cooktop settings to be recovered in the case of accidental shut-down.

Activation:

- turn the cooktop back on  within 6 seconds after shut-down
- press "" within the next 6 seconds

● **Automatic Heat UP**



The Automatic Heat UP function allows the set power to be reached more quickly; with this function it is possible to cook food faster without the risk of burning it, insofar as the temperature does not exceed the set level. This function is available for power levels 1-8 .

Activation:

- On the **Selection bar** (10), press and hold the desired power
- "A" will appear on display (9).

Cooking tables

Power level		Cooking type	Use of level (display combines the experience and cooking habits)
Max power	Boost	Heat quickly	Ideal to quickly increase the temperature of the food up to fast boiling in the case of water or quickly heat cooking liquids
	8-9	Fry - boil	Ideal for browning, starting to cook, frying frozen products, boiling rapidly
High power	7-8	Brown - fry - boil - grill	Ideal for frying, keeping the boil, cooking and grilling (for short times, 5-10 minutes)
	6-7	Brown - cook - stew - fry - grill	Ideal for frying, maintaining a simmer, cooking and grilling (for average times, 10-20 minutes), preheating accessories
Medium power	4-5	Cook - stew - fry - grill	Ideal for stewing, maintaining a light boil, cooking (for longer times). Stir pasta
	3-4	Cook - simmer - thicken - stir	Ideal for slow cooking (rice, sauces, roasts, fish) in the presence of liquid (e.g. water, wine, broth, milk), stirring pasta
	2-3	Cook - simmer - thicken - stir	Ideal for slow cooking (volume less than one litre: rice, sauces, roasts, fish) in the presence of liquid (e.g. water, wine, broth, milk)
Low power	1-2	Melt - thaw - keep warm - stir	Ideal for softening butter, gently melting chocolate, thawing small products
	1	Melt - thaw - keep warm - stir	Ideal for keeping small portions of freshly cooked food warm or keeping the temperature of serving dishes and stirring risotto
OFF	Zero power	Support surface	Hob in stand-by or off (possible presence of residual heat from the end of cooking, signalled by H-L-O)

Temperature Manager		Description
	Melting	It identifies a suitable cooking level to slowly melt delicate products without compromising their sensory characteristics (chocolate, butter, etc.).
	Warming	It identifies a suitable cooking level to allow to delicately keep the food at the same temperature, without letting it boil.

Cooking tables

Category of foods	Dishes or type of cooking	Power level and cooking pattern			
		First stage	Powers	Second stage	Powers
Pasta, rice	Fresh pasta	Heating water	Booster-9	Cooking pasta and maintaining the boil	7-8
	Fresh pasta	Heating water	Booster-9	Cooking pasta and maintaining the boil	7-8
	Boiled rice	Heating water	Booster-9	Cooking pasta and maintaining the boil	5-6
	Risotto	Frying and roasting	7-8	Cooking	4-5
Vegetables, legumes	Boiled	Heating water	Booster-9	Boiling	6-7
	Fried	Heating oil	9	Frying	8-9
	Sauté	Heating accessory	7-8	Cooking	6-7
	Stewed	Heating accessory	7-8	Cooking	3-4
	Fried	Heating accessory	7-8	Browning fried	7-8
Meats	Roast	Meat browning with oil (if with butter, power 6)	7-8	Cooking	3-4
	Grilled	Pre-heating pan	7-8	Grilling on both sides	7-8
	Browning	Browning with oil (if with butter, power 6)	7-8	Cooking	4-5
	Stew	Browning with oil (if with butter, power 6)	7-8	Cooking	3-4
Fish	Grilled	Pre-heating pan	7-8	Cooking	7-8
	Stew	Browning with oil (if with butter, power 6)	7-8	Cooking	3-4
	Fried	Heating oil or fat	8-9	Frying	7-8
Eggs	Omelettes	Heating pan with butter or fat	6	Cooking	6-7
	Omelettes	Heating pan with butter or fat	6	Cooking	5-6
	Soft boiled/boiled	Heating water	Booster-9	Cooking	5-6
	Pancakes	Heating pan with butter	6	Cooking	6-7
Sauces	Tomato	Browning with oil (if with butter, power 6)	6-7	Cooking	3-4
	Meat sauce	Browning with oil (if with butter, power 6)	6-7	Cooking	3-4
	Béchamel	Preparing the base (melt butter and flour)	5-6	Bring to simmering point	3-4
Desserts, creams	Custard	Boil the milk	4-5	Keep simmering	4-5
	Puddings	Boil the milk	4-5	Keep simmering	2-3
	Rice pudding	Heat the milk	5-6	Keep simmering	2-3

User Servicing and Maintenance Instructions

Caution! Before any cleaning or maintenance, make sure the cooking zones are switched off and the heat indicator has turned off.

Cleaning

The hob must be cleaned after each use.

Important:

Do not use abrasive sponges, scouring pads. Their use, over time, may ruin the glass.

Do not use chemical irritants, such as oven sprays or stain removers.

After each use, leave the hob to cool and clean it to remove deposits and stains caused by food residue.

Sugar or food with a high sugar content damages the hob and must be immediately removed.

Salt, sugar and sand may scratch the glass surface.

Use a soft cloth, paper towel or specific products to clean the hob (follow the Manufacturer's instructions).

DO NOT USE STEAM JET CLEANERS!!!

Troubleshooting

ERROR CODE	DESCRIPTION	POSSIBLE CAUSES	ERROR REMOVAL
ER03 - the hob turns off after 10 seconds and beeps permanently	Permanent pressure on the command zone	Water or kitchen utensils on the command zone	Clean the command zone
ER40	The network voltage is causing overheating	The secondary voltage of the network is too low	Disconnect the hob from the mains and check the connection
ER47	Communication with the electric network is faulty (the control panel switches off - the cooking zones no longer respond)	The power cable was incorrectly connected or is faulty	Disconnect the hob from the mains and check the connection
U400	The hob connection is not of the correct voltage (wrong connection/overvoltage)	A different voltage is detected from that of the connection	Disconnect the hob from the mains and check the connection
ER21 - E/2	The command zone switches off due to too high a temperature	The temperature inside the electronic parts is too high	Wait for the hob to cool before reusing it
ER20,ER22,ER31,ER36 E/4, E/5, E/6, E/8, E/9 E/A	Call customer service and report the error code		

Customer service

Before contacting Customer Service

1. Check that you cannot solve the problem yourself based on the points described in "Troubleshooting".
2. Switch the device off and on again to see if the problem resolves itself.

If the fault persists after the above checks, contact the nearest Customer Service.

Warranty

ELICA North America **TWO-YEARS LIMITED WARRANTY**

TO OBTAIN SERVICE UNDER WARRANTY

Owner must present proof of original purchase date. Please keep a copy of your dated proof of purchase (sales slip) in order to obtain service under warranty.

PARTS AND SERVICE WARRANTY

For the period of two (2) years from the date of the original purchase, Elica will provide free of charge, non consumable parts or components that failed due to manufacturing defects. During these two (2) years limited warranty, Elica will also provide free of charge, all labor and in-home service to replace any defective parts.

WHAT IS NOT COVERED

- Damage or failure to the product caused by accident or act of God, such as, flood, fire or earthquake.
- Damage or failure caused by modification of the product or use of non-genuine parts.
- Damage or failure to the product caused during delivery, handling or installation.
- Damage or failure to the product caused by operator abuse.
- Damage or failure to the product caused by dwelling fuse replacement or resetting of circuit breakers.
- Damage or failure caused by use of product in a commercial application.
- Service trips to dwelling to provide use or installation guidance.
- Light bulbs, metal or carbon filters and any other consumable part.
- Normal wear of finish.
- Wear to finish due to operator abuse, improper maintenance, use of corrosive or abrasive cleaning products/pads and oven cleaner products.

WHO IS COVERED

This warranty is extended to the original purchaser for products purchased for ordinary residential use in North America (Including the United States, Guam, Puerto Rico, US Virgin Islands & Canada).

This warranty is non-transferable and applies only to the original purchaser and does not extend to subsequent owners of the product. This warranty is made expressly in lieu of all other warranties, expressed or implied, including, but not limited to any implied warranty of merchantability or fitness for a particular purpose and all other obligations on the part of Elica North America, provided, however, that if the disclaimer of implied warranties is ineffective under applicable law, the duration of any implied warranty arising by operation of law shall be limited to two (2) years from the date of original purchase at retail or such longer period as may be required by applicable law.

This warranty does not cover any special, incidental and/or consequential damages, nor loss of profits, suffered by the original purchaser, its customers and/or the users of the Products.

WHO TO CONTACT

To obtain service under Warranty or for any Service Related Question:

- Elica North America Authorized Service - (714) 428-0046
- elica@servicepower.com

Sommaire

Avis de sécurité important	26
Exigences électriques et exigences d'installation	30
Exigences électriques.....	30
Avant d'installer	30
Liste des pièces	31
Pièces fournies	31
Dimensions et Dégagement	32
Utilisation	35
Récipients pour la cuisson	35
Économie d'énergie.....	35
Installation	36
Préparation de la hotte pour l'installation:	36
Description de la hotte et des commandes	37
Commandes	38
Tableaux de puissance.....	41
Tableaux de cuisson.....	42
Instructions pour l'entretien, utilisateur et la maintenance	43
Nettoyage	43
Recherche des pannes.....	44
Service assistance.....	44
Garantie	45

LISEZ CES INSTRUCTIONS ET CONSERVEZ-LES

Avis de sécurité important

CONSIGNES DE SÉCURITÉ POUR LE PLAN DE CUISSON

Nous avons fourni de nombreux messages de sécurité importants dans ce manuel et sur votre appareil. Toujours lire et se conformer à toutes les consignes de sécurité.



C'est le symbole d'une alerte de sécurité.
Ce symbole vous informe des dangers potentiels qui peuvent vous tuer ou vous blesser personnellement ainsi qu'à d'autres personnes.
Tous les messages de sécurité suivront le symbole d'alerte de sécurité et le mot "DANGER" ou "AVERTISSEMENT".
Ces mots signifient:

⚠ DANGER

Vous pouvez être tué ou grièvement blessé si vous ne vous conformez pas immédiatement aux instructions suivantes

⚠ WARNING

Vous pouvez être tué ou grièvement blessé si vous ne vous conformez pas immédiatement aux instructions suivantes

Tous les messages de sécurité vous indiquent quel est le risque potentiel, ainsi que comment réduire les risques de blessures et vous informe de ce qui peut arriver si les instructions ne sont pas suivies.

CONSIGNES DE SÉCURITÉ IMPORTANTES

ATTENTION: Pour réduire le risque d'incendie, de choc électrique, de blessures corporelles ou de dommages lors de l'utilisation de la table de cuisson, prenez des précautions élémentaires, y compris les suivantes :

- **MISE EN GARDE :** Ne stockez pas d'articles intéressants pour les enfants dans les armoires au-dessus d'une table de cuisson - Les enfants qui grimpent sur la table de cuisson pour atteindre les objets pourraient être grièvement blessés.
- Installation correcte : assurez-vous que votre table de cuisson est correctement installée et mise à la terre par un technicien qualifié.
- N'utilisez jamais votre table de cuisson pour vous réchauffer ou réchauffer la pièce.
- Ne laissez pas les enfants seuls - Les enfants ne doivent pas être laissés seuls ou sans surveillance dans la zone où la table de cuisson est utilisée. Ils ne devraient jamais être autorisés à s'asseoir ou à se tenir sur une partie de la table de cuisson.
- Portez un vêtement approprié - Des vêtements à manches ou lâches ne doivent jamais être portés lors de l'utilisation de la table de cuisson.
- Entretien par l'utilisateur - Ne pas réparer ou remplacer une partie quelconque de la table de cuisson, sauf en cas de recommandations spécifiques dans ce manuel. Tout autre service doit être confié à un technicien qualifié.
- Stockage sur la table de cuisson - Les matériaux inflammables ne doivent pas être stockés près des unités de surface.
- Ne pas utiliser de l'eau sur les feux de graisse - Éteufez le feu ou la flamme ou utilisez un extincteur chimique ou un extincteur en mousse.
- N'utilisez que des pochoirs secs - Des pochoirs humides ou humides sur des surfaces chaudes peuvent entraîner des brûlures de la vapeur. Ne laissez pas les pochoirs toucher les éléments chauffants lorsqu'ils sont chauds. N'utilisez pas de serviette ou autre chiffon volumineux.
- **NE TOUCHEZ PAS LES UNITÉS DE SURFACE OU LES ZONES DE SURFACE PROCHE DES UNITÉS** - Les unités de surface peuvent être chaudes même si elles sont de couleur foncée. Les zones proches des unités de surface peuvent devenir suffisamment chaudes pour causer des brûlures. Pendant et après l'utilisation, ne touchez pas, ou laissez les vêtements ou d'autres matériaux inflammables entrer en contact avec des unités de surface ou des zones proches des unités jusqu'à ce qu'ils aient eu suffisamment de temps pour refroidir. Parmi ces zones se trouvent la table de cuisson et les surfaces situées face à la table de cuisson.
- Utilisez une poêle de la taille appropriée - Cette table de cuisson est équipée d'une ou plusieurs unités de surface de taille différente. Sélectionnez les ustensiles ayant des fonds plats assez grands pour couvrir l'élément chauffant de l'unité de surface. Une bonne relation entre l'ustensile et le brûleur améliorera également l'efficacité.

- Ne laissez jamais les unités de surface sans surveillance à des températures élevées programmées. Le débordement cause de la fume et des débordements graisseux qui peuvent prendre feu.
- Ustensiles de cuisine vitrés - Seuls certains types de verre, vitrocéramique, de céramique, de faïence ou d'autres ustensiles vitrés conviennent au service de la table de cuisson sans se briser en raison de la brusque variation de température.
- Les poignées d'ustensile doivent être tournées vers l'intérieur et ne pas s'étendre sur les unités de surface adjacentes. Pour réduire le risque de brûlures, l'allumage de matériaux inflammables et les déversements causés par un contact involontaire avec l'ustensile, la poignée d'un ustensile doit être positionnée de manière à être tournée vers l'intérieur et ne pas encombrer les unités de surface adjacentes.
- Ne pas faire de cuisine sur une surface de cuisson cassée. Si la surface de cuisson se casse, les produits de nettoyage et les déversements peuvent pénétrer la surface du caisson cassé et causer un risque de choc électrique. Contacter un technicien qualifié immédiatement.
- Nettoyer la surface de cuisson avec précautions. Si on utilise une éponge ou un chiffon mouillé pour nettoyer les déversements sur une surface chaude, faites attention de ne pas vous brûler avec la vapeur. Il y a des produits pour nettoyer qui peuvent produire des vapeurs nocives s'ils sont appliqués sur une surface chaude.

Pour les unités avec hotte aspirante -

- Nettoyez les hottes de ventilation fréquemment - La graisse ne doit pas s'accumuler sur la hotte ou le filtre.
- Lorsque les aliments enflammés se trouvent sous le capot, allumez le ventilateur.

Pour les unités avec éléments de bobine -

- Assurez-vous que les cuvettes ramasse-goutte sont en place - L'absence de ces ustensiles pendant la cuisson peut risquer d'endommager les câbles ou les composants en dessous.
- Revêtements protecteurs - Ne pas utiliser de papier d'aluminium pour recouvrir l'unité les cuvettes ramasse-goutte, à l'exception de ce qui est suggéré dans le manuel. L'installation incorrecte de ces revêtements peuvent entraîner un risque de choc électrique ou d'incendie.
- Ne pas tremper les éléments de chauffage amovibles - Les éléments de chauffage ne doivent jamais être immergés dans l'eau.

CONSERVEZ CES INSTRUCTIONS

Cette table de cuisson à induction génère et utilise une énergie de fréquence ISM qui chauffe les ustensiles de cuisine en utilisant un champ électromagnétique. Il a été testé et est conforme à la partie 18 des règles FCC pour les équipements ISM. Cette plaque de cuisson à induction répond aux exigences de la FCC pour minimiser les interférences avec d'autres appareils dans l'installation résidentielle.

Cette plaque de cuisson à induction peut causer des interférences avec la télévision ou la radio. En cas d'interférence, l'utilisateur doit essayer de corriger l'interférence en :

- déplaçant l'antenne de réception de la radio ou du téléviseur ;
- augmentant la distance entre la table de cuisson et le récepteur ;
- reliant le récepteur dans une sortie différente.

Il incombe à l'utilisateur de corriger toute interférence.

REMARQUE : Les porteurs d'un stimulateur cardiaque ou d'un dispositif médical similaire devraient être prudents lorsqu'ils sont debout près de cette plaque de cuisson à induction pendant qu'elle est allumée. Le champ électromagnétique peut affecter le stimulateur cardiaque ou un dispositif similaire. Informez votre médecin ou le fabricant du stimulateur cardiaque ou un dispositif médical similaire pour plus d'informations sur les effets des champs électromagnétiques de la plaque de cuisson à induction.

Attention! Suivre attentivement les instructions ci-dessous:

- L'appareil doit être déconnecté de l'alimentation électrique avant d'effectuer tout travail d'installation.
- L'installation ou l'entretien doit être effectué par un technicien qualifié, conformément aux instructions du fabricant et dans le respect des réglementations locales en matière de sécurité. Ne pas réparer ou remplacer toute pièce de l'appareil si ce n'est pas spécifiquement demandé dans le manuel d'utilisation.
- La mise à la terre de l'appareil est obligatoire.
- Le câble d'alimentation doit être suffisamment long pour permettre la connexion de l'appareil, encastré dans un meuble, au circuit électrique.
- Pour que l'installation soit conforme aux normes de sécurité en vigueur, il faut un interrupteur omnipolaire à norme qui assure la déconnexion complète du circuit électrique dans les conditions de la catégorie de surtension III, conformément aux règles d'installation.
- Ne pas utiliser de prises multiples ou des rallonges.
- Une fois l'installation terminée, les composants électriques ne devront plus être accessibles par l'utilisateur.
- L'équipement et les parties accessibles deviennent très chauds pendant l'utilisation. Faire attention à ne pas toucher les éléments chauffants.
- Cet appareil peut être utilisé par les enfants dès l'âge de 8 ans et par les personnes à capacités physiques, sensorielles ou mentales réduites ou bien sans expérience ni connaissances s'ils sont sous une surveillance adéquate, ou s'ils ont été formés sur l'utilisation de l'appareil en toute sécurité et s'ils se rendent compte des dangers liés. Les enfants ne doivent pas jouer avec l'appareil. Les opérations de nettoyage et d'entretien ne doivent pas être effectuées par des enfants sans surveillance.
- Faire attention à ce que les enfants ne jouent pas avec l'appareil; garder les enfants à distance et les surveiller, parce que les parties accessibles peuvent devenir très chaudes pendant l'utilisation.
- Pour les porteurs de stimulateurs cardiaques et d'implants actifs, il est important de vérifier, avant d'utiliser le plan à induction, que le stimulateur est compatible avec l'appareil.

- Pendant et après l'utilisation, ne pas toucher les éléments chauffants de l'appareil.
- Éviter le contact avec des chiffons ou autres matériaux inflammables jusqu'à ce que tous les composants de l'appareil ne soient suffisamment refroidis
- Ne pas placer de matériaux inflammables sur l'appareil ou à proximité.
- Les graisses et les huiles chaudes peuvent facilement prendre feu. Surveiller la cuisson des aliments riches en graisse et huile.
- Le nettoyage et les opérations d'entretien que l'utilisateur peut effectuer ne doivent pas être effectués par des enfants sans la supervision d'une personne responsable.
- L'installation d'un panneau de séparation, non fourni, est obligatoire dans l'espace sous l'appareil.
- Si la surface est fêlée, éteindre l'appareil pour éviter la possibilité de décharge électrique.
- L'appareil n'est pas destiné à être mis en fonction au moyen d'une minuterie externe ou bien d'un système de commande à distance séparé.
- La cuisson sans surveillance sur un plan de cuisson avec de l'huile ou de la graisse peut être dangereuse et provoquer un incendie.
- Le processus de cuisson doit être surveillé. Un processus de cuisson à court terme doit être surveillé en permanence.
- Ne JAMAIS essayer d'éteindre les flammes avec de l'eau. Au lieu de cela, éteindre l'appareil et étouffer les flammes, par exemple avec un couvercle ou une couverture anti-feu. Risque d'incendie: Ne pas placer d'objets sur les surfaces de cuisson.
- Ne pas utiliser de nettoyeurs à vapeur.
- Ne pas placer des objets métalliques tels que les couteaux, les fourchettes, les cuillères et les couvercles sur la surface de cuisson puisqu'ils peuvent devenir chauds.
- Avant de raccorder le modèle au circuit électrique: contrôler la plaque signalétique (sur le fond de l'appareil) pour s'assurer que la tension et la puissance correspondent à celles du circuit et que la prise de branchement soit adaptée. En cas de doute, appeler un électricien qualifié.

Important :

- Après utilisation, éteindre le plan de cuisson à travers son dispositif de commande et ne pas faire confiance au détecteur de casseroles.

- Éviter de renverser du liquide, donc pour bouillir ou chauffer des liquides, réduire l'apport de chaleur.

- Ne pas laisser les éléments chauffants allumés avec des casseroles et des poêles vides ou sans récipients.

- Lorsque la cuisson est terminée, éteindre la zone relative.

- Lors de la cuisson, ne jamais utiliser des feuilles d'aluminium, ou ne jamais poser directement des produits emballés avec de l'aluminium. L'aluminium fondrait et endommagerait irrémédiablement votre appareil.

- Ne jamais chauffer une boîte ou une boîte de conserve contenant des aliments sans l'ouvrir: elle risque d'exploser!

Cette mise en garde vaut pour tous les autres types de plans de cuisson.

- L'utilisation d'une grande puissance comme la fonction Booster ne convient pas pour le chauffage de liquides tel que l'huile de friture. Une chaleur excessive pourrait être dangereuse. Dans ces cas, nous recommandons l'utilisation d'une puissance inférieure.

- Les récipients doivent être placés directement sur le plan de cuisson et doivent être centrés. En aucun cas, il ne faut insérer quelque chose entre la casserole et la plaque de cuisson.

- Dans le cas de températures élevées, l'appareil diminue automatiquement le niveau de puissance de la zone de cuisson.

Exigences électriques et exigences d'installation

Exigences électriques

Fig. 2

- Débrancher l'appareil du circuit électrique
- L'installation doit être effectuée par du personnel qualifié, familiarisé avec les normes applicables en matière d'installation et de sécurité.
- Le fabricant décline toute responsabilité pour les personnes, les animaux ou les biens dans le cas de non-respect des directives fournies dans ce chapitre.
- S'assurer que la tension sur la plaque signalétique sur le fond de l'appareil correspond à celle de la maison où il sera installé.
- Ne pas utiliser de rallonges.
- La mise à la terre de l'appareil est obligatoire.

IMPORTANT

Respectez tous les codes et les ordonnances en vigueur.

Le client a la responsabilité de :

Contactez un électricien-installateur.

Vérifier que l'installation électrique est adéquate et conforme avec le Code national de l'électricité, ANSI/NFPA 70 (la plus récente édition*), ou les normes C22.1-94, Code canadien de l'électricité, Partie 1 et C22.2 No.0-M91 (La plus récente édition**) de la CSA, ainsi que tous les codes et les ordonnances de votre région.

Si le code le permet et que vous utilisez un fil de mise à la terre distinct, il est recommandé de faire vérifier le chemin du fil par un électricien.

Ne pas mettre l'appareil à la terre sur une conduite de gaz. Consultez un électricien qualifié si vous n'êtes pas certain que la hotte est mise à la terre correctement. N'installez pas un fusible dans le circuit neutre ou le circuit de mise à la terre.

IMPORTANT

Conservez ces instructions afin de pouvoir les remettre à l'inspecteur-électricien.

La hotte doit être câblée uniquement à l'aide de fils de cuivre.

Il faut raccorder la hotte directement à une boîte à fusible ou à un disjoncteur par l'entremise d'une canalisation électrique en métal.

Le calibre de fil doit être conforme aux exigences du Code national de l'électricité, ANSI/NFPA 70 (La plus récente édition*), ou les normes C22.1-94, Code canadien de l'électricité, Partie 1 et C22.2 0-M91 (La plus récente édition**) de la CSA, ainsi que tous les codes et les ordonnances de votre région.

Il faut prévoir un connecteur de canalisation approuvé par l'UL ou la CSA à chaque extrémité de la canalisation d'alimentation (À la hotte et à la boîte de jonction).

Vous pouvez obtenir un exemplaire des normes indiquées en vous adressant à :

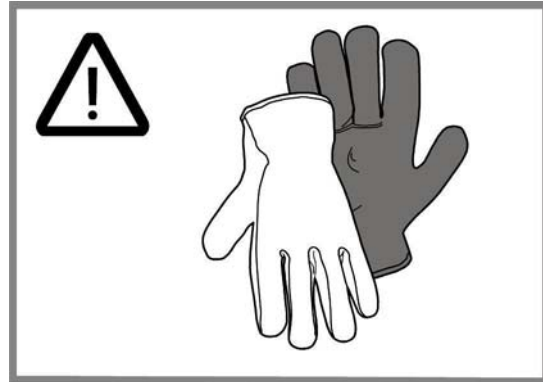
* La National Fire Protection Association, Batterymarch Park
Quincy, Massachusetts, 02269

** La CSA International, 8501 East Pleasant Valley Road,
Cleveland, Ohio, 44131-5575

Avant d'installer

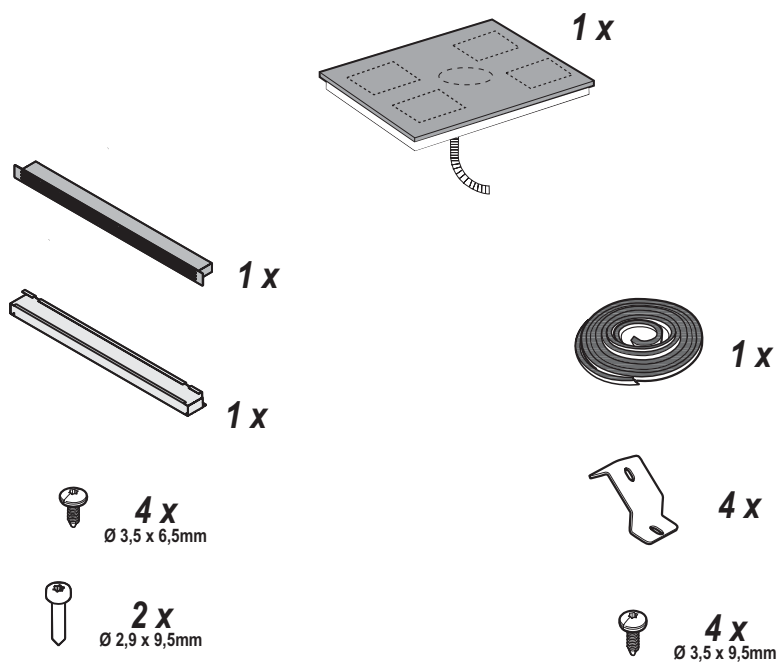
Deux personnes sont nécessaires pour effectuer l'installation.

Porter des gants pour se protéger des bords coupants



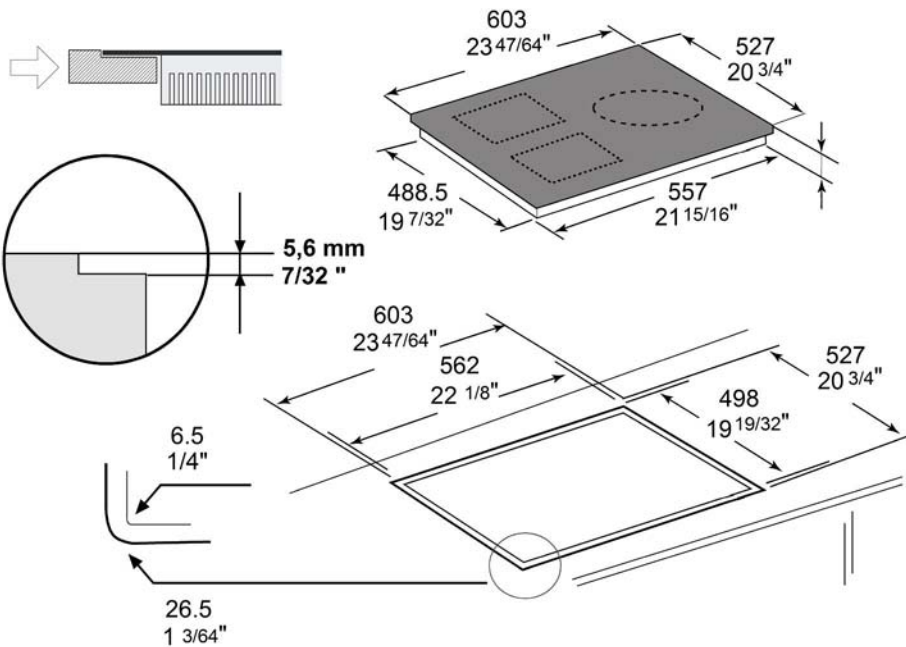
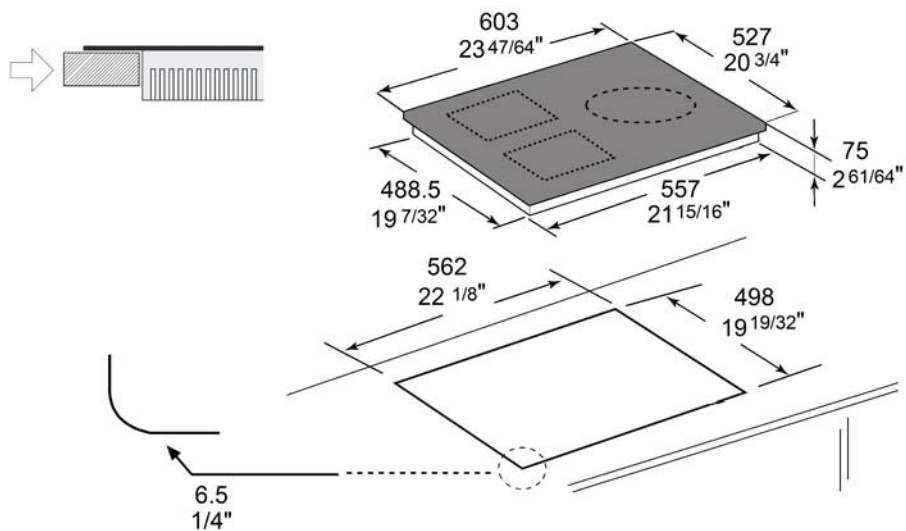
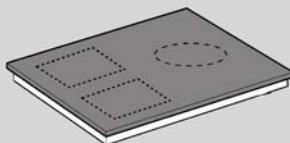
Liste des pièces

Pièces fournies

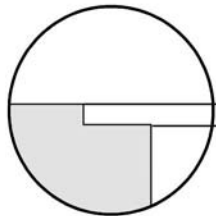
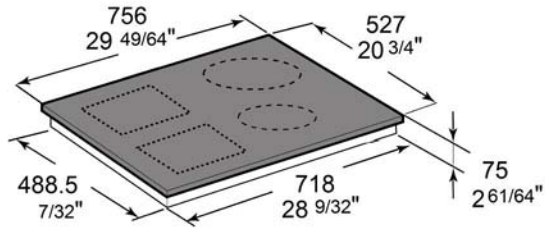
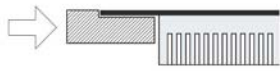
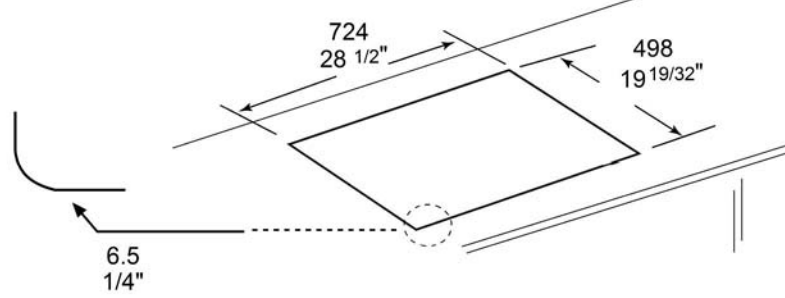
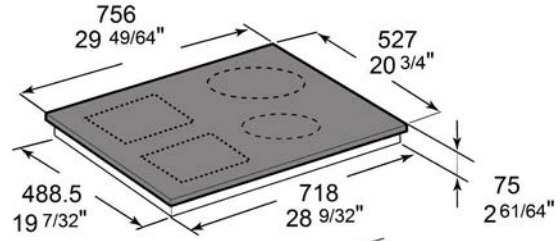
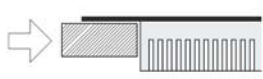
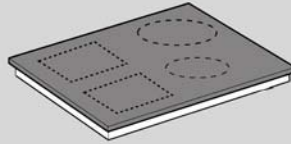


Dimensions et Dégagement

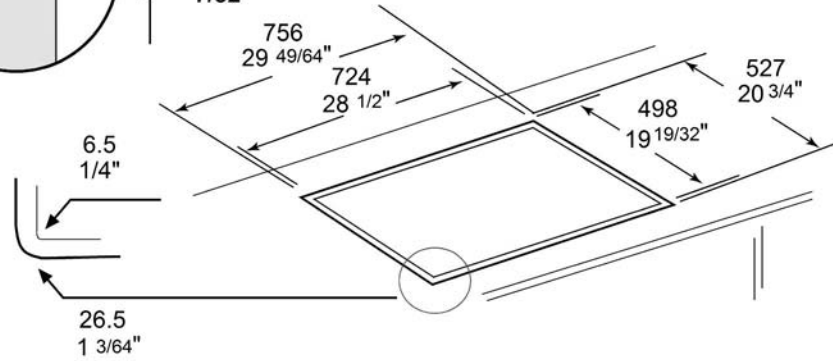
24"



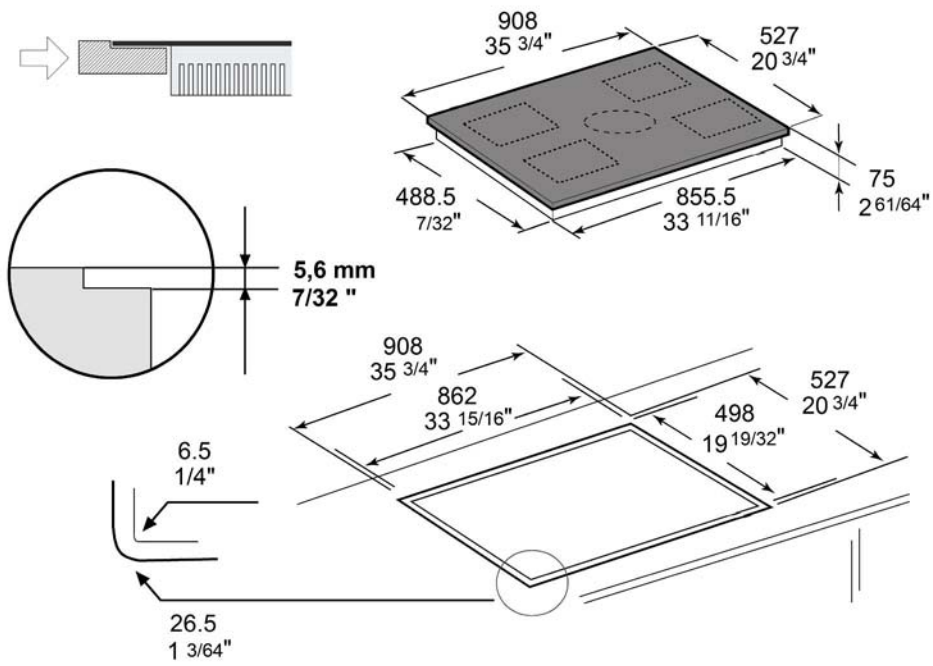
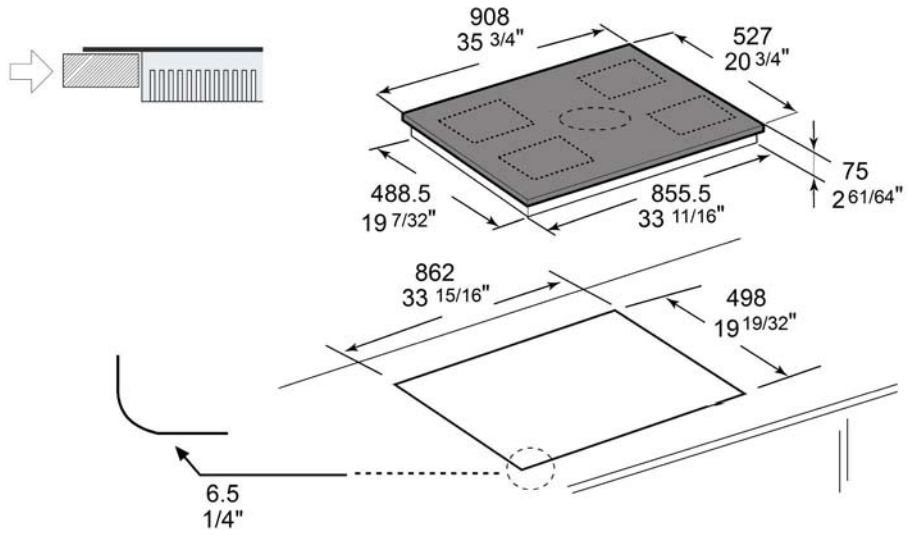
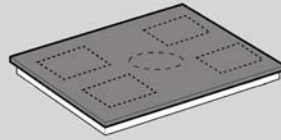
30 "



5,6 mm
7/32 "



36"



Utilisation

Le système de cuisson à induction est basé sur le phénomène physique de l'induction magnétique. La principale caractéristique de ce système est le transfert direct de l'énergie du générateur à la casserole.

Avantages :

Si l'on compare avec les plans de cuisson électriques, votre plan à induction est :

- **Plus sûr** : température inférieure à la surface du verre.
- **Plus rapide** : temps de chauffe des aliments inférieurs.
- **Plus précis** : le plan réagit instantanément à vos commandes
- **Plus efficace** : 90 % de l'énergie absorbée est transformée en chaleur. En outre, une fois enlevée la casserole, la transmission de chaleur est immédiatement interrompue, en évitant une perte de chaleur inutile.

Récipients pour la cuisson

Utiliser uniquement des casseroles portant le symbole



Important :

pour éviter des dommages permanents à la surface du plan, ne pas utiliser :

- des récipients avec fond non parfaitement plat.
- des récipients en métal avec fond émaillé.
- des récipients avec une surface rugueuse, pour éviter de rayer la surface du plan.
- ne jamais poser des casseroles et des poêles chaudes sur la surface du panneau de contrôle du plan

Récipients préexistants

La cuisson à induction utilise le magnétisme pour générer de la chaleur. Les récipients doivent donc contenir du fer. Vous pouvez vérifier si le matériau de la casserole est magnétique avec un simple aimant. Les casseroles ne sont pas appropriées si elles ne sont pas détectables magnétiquement.

Diamètres fonds de casseroles conseillés

IMPORTANT : si les casseroles ne sont pas de la bonne taille, les zones de cuisson ne s'allument pas

Pour connaître le diamètre minimal de la casserole à utiliser pour chaque zone, consulter la partie illustrée de ce manuel.

Économie d'énergie

Pour de meilleurs résultats, nous recommandons de :

- Utiliser des ustensiles de cuisson d'un diamètre égal à celui de la zone de cuisson.
- Utiliser uniquement des poêles et des casseroles à fond plat.
- Si possible, laisser le couvercle sur la casserole pendant la cuisson
- Cuire les légumes, pommes de terre, etc. avec une petite quantité d'eau afin de réduire le temps de cuisson.
- Utiliser un autocuiseur, il réduit encore la consommation d'énergie et le temps de cuisson
- Placer la casserole au centre de la zone de cuisson tracée sur le plan.

Installation

Préparation de la hotte pour l'installation:

Avant de commencer l'installation :

- Après le déballage et vérification que le produit n'a pas été endommagé pendant le transport, en cas de problème, contactez votre revendeur ou le service clientèle, avant de procéder à l'installation.
- Vérifier que le produit acheté est d'une taille appropriée pour la zone d'installation choisie.
- S'assurer qu'à l'intérieur de l'emballage il n'y a pas (à des fins d'expédition) de matériel accessoire (tels que des enveloppes avec des vis, des garanties, etc.), il doit être éventuellement enlevé et conservé.
- Vérifier en plus que près de la zone d'installation il y ait une prise électrique disponible.

Prédisposition du meuble pour l'encastrement:

- Comme la partie inférieure du produit ne doit pas être accessible après l'installation, un panneau de séparation (de protection) doit toujours être installé sous le plan de cuisson (non fourni avec le produit), s'il est accessible après l'installation
- Dans le cas d'installation d'un four en dessous du plan, ne pas interposer de panneau séparateur.
- Si un four est positionné en-dessous du plan à induction, il est préférable qu'il soit équipé d'un ventilateur de refroidissement.
- Ne pas utiliser le plan à induction durant le nettoyage par PYROLYSE du four.
- Evitez d'installer le plan de cuisson au-dessus du lave-vaisselle ou lave-linge pour que les circuits électroniques ne viennent pas en contact avec de la vapeur ou de l'humidité qui pourrait les endommager.
- La distance entre le fond de l'appareil et le panneau de séparation (ou tout appareil installé en-dessous du plan à induction) doit être conforme à la taille indiquée.
- Pour un fonctionnement correct du produit, ne pas obstruer l'ouverture minimale entre le plan de travail et le côté supérieur du plan de l'armoire
- Pour permettre une ventilation adéquate et pour permettre la circulation de l'air frais, il doit y avoir des ouvertures dans l'armoire de cuisine, selon les dimensions indiquées.
- Effectuer tous les travaux de découpe du meuble avant d'insérer le plan de cuisson et retirer soigneusement les copeaux ou les résidus de sciure.

Fig. 1a /1b

ATTENTION ! La non-installation de vis et fixations conformément à ces instructions peut entraîner des risques électriques.

Connexion électrique

AVERTISSEMENT

Danger de choc électrique

AVERTISSEMENT : Coupez l'alimentation du circuit dans le panneau électrique avant de raccorder les fils de cet appareil.

Un circuit de 120 V c.a., de 15 ou 20 A est requis.

INSTRUCTIONS DE MISE À LA TERRE

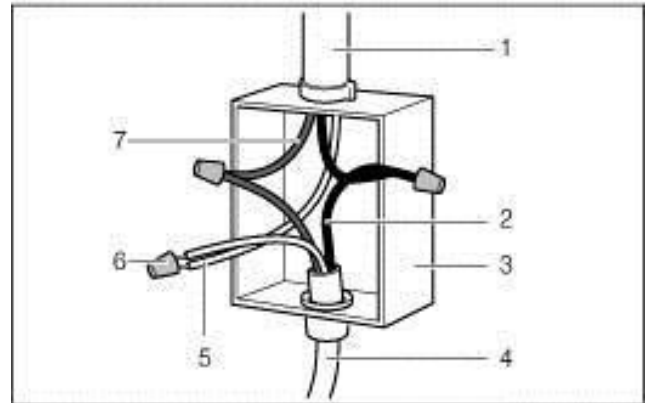
CET APPAREIL EST MUNI D'UNE BOÎTE DE JONCTION ÉLECTRIQUE À TROIS FILS, DONT L'UN (VERT/JAUNE) SERT À METTRE L'APPAREIL À LA TERRE. POUR VOUS PROTÉGER CONTRE LES CHOC ÉLECTRIQUES, VOUS DEVEZ RACCORDER LE FIL VERT/JAUNE AU FIL DE MISE À LA TERRE DU SYSTÈME ÉLECTRIQUE DE VOTRE MAISON. EN AUCUNE CIRCONSTANCE CE FIL DOIT ÊTRE COUPÉ OU ENLEVÉ.

Le fait de ne pas respecter cette directive peut entraîner la mort ou un choc électrique.

Retirez l'alvéole défonçable et le couvercle de la boîte de jonction et installez un connecteur de canalisation (Listé dans cULus) dans la boîte de jonction.

Le courant admissible des disjoncteurs divisionnaires, la taille des câbles et les connexions doivent être conformes aux exigences du Code électrique national ou du Code électrique canadien ainsi qu'à tous les codes et règlements locaux. Brancher le conduit souple à la boîte de jonction. Brancher les fils de sortie aux fils d'alimentation de la boîte de jonction en respectant les phases :

- noir (L1) avec noir
- rouge (L2) avec rouge
- vert ou dénudé avec la terre

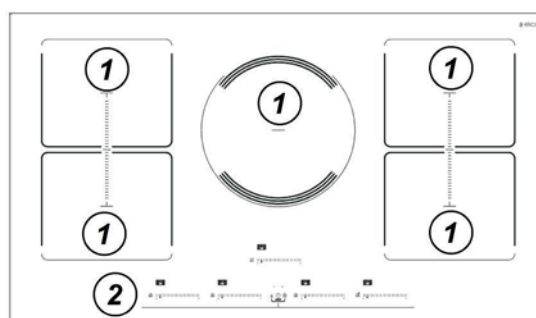
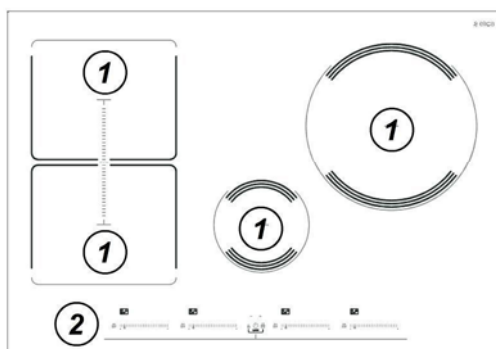
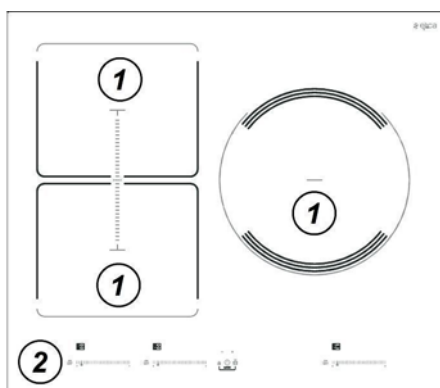


- 1 Câble d'alimentation de courant de la maison
- 2 Câble noir
- 3 Boîtier de dérivation
- 4 Câble d'alimentation de courante de la plaque
- 5 Câble vert ou dénudé de connexion à la terre
- 6 Connecteur UL certifié
- 7 Câble rouge

Si la plaque est installée et raccordée comme il a été spécifié précédemment, elle sera entièrement raccordée à la terre, conformément au Code national électrique.

Sequences installation - pag. 68

Description de la hotte et des commandes



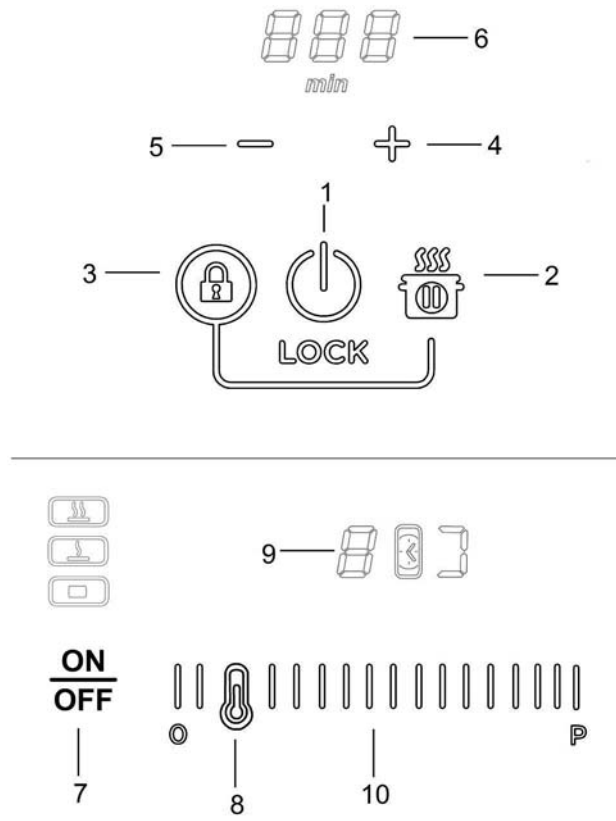
- 1 - Panneau de commande
- 2 - Affichage zones

Commandes

Panneau de commande

Le plan de cuisson dispose d'un système de communication sans fil intelligent et sophistiqué, capable de communiquer avec certaines hottes Elica particulières connectables. Selon l'utilisation du plan de cuisson et ce que vous faites cuire, ces hottes incorporent des informations provenant du plan, les élaborent et s'activent de façon automatique et optimisée pour éliminer tout gaspillage. **Visitez le site internet www.elica.com pour vérifier la gamme de hottes connectables avec votre plan de cuisson.**

Remarque : Pour sélectionner les commandes, il suffit d'effleurer (appuyer sur) les symboles qui les représentent.



Fonctions principales

1. Fonction **MARCHE/ARRÊT** plan de cuisson
2. Fonction "Pause / Recall"
3. Fonction "Key Lock"
Fonction "Child Lock" (si appuyé avec le 2.)
4. Activation temporisateur (si appuyé avec le 5.)
Incrément Timer
5. Activation temporisateur (si appuyé avec le 4.)
Décrément Timer
6. Affichage du Timer
7. Fonction **MARCHE/ARRÊT** zone de cuisson
8. Sélecteur fonction Temperature Manager
9. Affichage des zones de cuisson
10. Barre de sélection zone de cuisson et réglage des niveaux (puissance) de fonctionnement.

À savoir avant de commencer :

Toutes les fonctions de ce plan de cuisson sont conçues dans le but de se conformer aux normes de sécurité les plus strictes.

Pour cette raison :

- Certaines fonctions ne s'activent pas, ou s'éteignent automatiquement en l'absence de casseroles sur les foyers, ou quand elles sont mal placées.
- Dans d'autres cas, les fonctions activées se désactivent automatiquement après quelques secondes lorsque la fonction sélectionnée nécessite un autre réglage qui n'est pas donné (par exemple: "Allumer le plan de cuisson" sans "Sélectionner la zone de cuisson" et la "Température de fonctionnement", ou bien la "Fonction Lock" ou celle "Timer").

! **Attention !** Dans le cas (par exemple) d'utilisation prolongée, la coupure de la zone de cuisson pourrait ne pas être immédiate, car en phase de refroidissement le symbole "H" apparaît sur l'afficheur pour indiquer ce stade de fonctionnement.

Attendre que l'affichage se coupe avant de s'approcher de la zone de cuisson.

Affichage zone de cuisson

dans les affichages relatifs aux zones de cuisson, apparaît :

Zone de cuisson allumée	0
Niveau (Puissance) de fonctionnement	1...9-P
Zone de cuisson en refroidissement	H
Problèmes de détection de la casserole	-
Fonction Bridge désactivée]
Fonction Temperature Manager activée	U
Fonction Key Lock / Child Lock activée	L

Caractéristiques de la plaque

● Safe Activation

Le produit s'active uniquement en présence de casseroles sur les zones de cuisson : le processus de chauffe ne se déclenche pas sans casseroles et s'arrête en les enlevant.

● Pot Detector

L'appareil détecte automatiquement la présence de casseroles sur les zones de cuisson.

● Safety Shut Down

Pour des raisons de sécurité, chaque zone est dotée d'un temps de fonctionnement maximal qui dépend du niveau de puissance programmé.

● Residual Heat Indicator

À l'extinction d'une ou plusieurs zones de cuisson, la présence de chaleur résiduelle est signalée par le symbole de la zone qui s'éclaire sur l'afficheur "H".

Fonctionnement

Remarque : Pour activer une quelconque fonction, il faut d'abord activer la zone souhaitée.

● Allumer le plan de cuisson :

Appuyer sur (effleurer) l'ON/OFF plan de cuisson (1), le témoin s'allume pour indiquer que le plan de cuisson est prêt à fonctionner.

Appuyer à nouveau pour éteindre le plan de cuisson

Remarque : Cette fonction a la priorité sur toutes les autres.

● Sélectionner la zone de cuisson :

Appuyer sur l'ON/OFF zone cuisson (7) correspondant à la zone de cuisson souhaitée ; la lampe-témoin s'allume pour indiquer que la zone de cuisson est prête pour pouvoir définir un niveau de puissance.

Note : la zone de cuisson est sélectionnée automatiquement en appuyant sur la casserole

● Niveau (Puissance) de fonctionnement :

Effleurer et glisser avec le doigt le long de la Barre de sélection (10) :

vers la droite pour augmenter le niveau de puissance ;

vers la gauche pour diminuer le niveau de puissance ;

Niveau (Puissance) Booster "P" (temporisé) :

pour activer le niveau (Puissance) Booster glisser avec les doigts le long de la Barre de sélection (10) vers la droite (ou appuyer sur la zone relative à la lettre "P")

Le "Booster" a une durée de 10 minute, avant que la température ne retourne au niveau précédent.

Remarque : la fonction "Power Booster" reste programmée même après avoir enlevé la casserole; la zone de cuisson se désactive pour s'activer à nouveau en mode "Power Booster" pour les minutes restantes dès que la casserole est posée à nouveau.

● Fonction Bridge

Permet d'utiliser deux zones de cuisson en même temps ; il est possible d'utiliser deux zones de cuisson proches en association.

(consulter la partie illustrée de ce manuel)

Pour activer la **Funzione Bridge** :

- Sélectionner en même temps les barres de sélection, des deux zones de cuisson que vous souhaitez utiliser, - sur l'écran (9) des zones de cuisson sélectionnées apparaîtront les symboles "]] "

- sur l'écran (9) de la zone de cuisson avant s'affichera (et il sera possible de définir) le **Niveau (Puissance) de fonctionnement**.

Remarque : pour désactiver la **Fonction Bridge** appuyer à nouveau en même temps sur les barres de sélection des zones de cuisson.

● Timer (4-5)

Le Timer est activé en appuyant sur le symbole "+" (4) et le symbole "-" (5), en même temps ;

dès que le timer a terminé le compte à rebours, un bip sonore retentit (pendant 2 minutes, ou s'arrête en appuyant sur une touche quelconque du plan), tandis que l'écran (6) avec le symbole "0:00" clignote.

Nota : le timer est un simple signal sonore, qui une fois les minutes programmées passé N'interrompra pas le fonctionnement de la zone de cuisson

Réglage de la fonction Timer

- Sélectionner la zone de cuisson.
- Appuyer sur le symbole "+" (4) et le symbole "-" (5) en même temps, per accéder à la fonction de réglage.
- Régler la durée du Timer:

utiliser le symbole "+" (4) et le symbole "-" (5), respectivement pour augmenter ou diminuer le temps d'arrêt automatique

Si vous le souhaitez, répéter l'opération pour les autres zones de cuisson.

Remarque : Chaque zone peut avoir un Timer différent; sur l'écran (6) apparaîtra (pendant 10 secondes), le compte à rebours suivi du compte à rebours le moins long.

Pour couper le Timer :

- définir la valeur du timer à "0"
- arrêter le plan de cuisson (1) ou la zone de cuisson (7)


Remarque : la fonction reste active si l'on n'appuie pas, entre-temps, sur d'autres touches.

Remarque : à côté de la zone de cuisson, lorsque le Timer est actionné, apparaît le symbole "0:00"

● Key Lock

La fonction Key Lock permet de bloquer les configurations de la plaque pour empêcher les manipulations accidentelles tout en laissant les fonctions déjà configurées actives.

Activation :

- appuyer sur  (3)
- la LED située au dessus de la touche s'éclaire pour signaler l'activation



Répéter / opération pour désactiver.

● Child Lock

La fonction Child Lock permet d'éviter que les enfants ne puissent accidentellement allumer les zones de cuisson et la zone aspirante car elle bloque toutes les fonctions.

La fonction Child Lock peut être activée seulement quand l'appareil est éclairé et les zones de cuisson (et la zone aspirante) sont éteintes.

Activation :





- enlever les casseroles éventuellement présentes sur la plaque de cuisson
- appuyer et maintenir enfoncé en même temps  (3) et  (2), un signal sonore indique que la fonction est activée et une "L" apparaît sur les écran (6) et (9).

Répéter / opération pour désactiver.

● Fonction Temperature Manager

Sélectionner la zone de cuisson (7) souhaitée.

- Appuyer et maintenir enfoncé une ou plusieurs fois le **Sélecteur Temperature Manager (8)** pour choisir le niveau le plus approprié parmi ceux disponibles :


	Melting*	
	Warming*	
* Consulter le tableau "Temperature Manager" à la fin de ce chapitre.		

- Appuyer encore une fois pour éteindre.

● Pause


La fonction Pause permet d'interrompre n'importe quelle fonction active sur a plaque en ramenant à zéro la puissance de cuisson.

Activation :

- appuyer sur  (2)
- apparaît une "P" sur l'écran (13).

Pour désactiver la fonction :

Remarque : cette opération rétablit les condition du plan avant la pause



- appuyer sur  (10)
 - vous avez 10 secondes pour glisser le doigt vers la droite le long de la **Barre de sélection (3)**, correspondant à la **zone de cuisson 2 (FIG. 19)**;
- Remarque : si l'opération n'est pas effectuée dans le délai indiqué la fonction Pause reste active.

Remarque : si après 10 minutes, la **Fonction Pause** n'est pas désactivée, la plaque s'éteint automatiquement.

● Recall

La fonction Recall permet de récupérer toutes les programmations effectuées sur la plaque, en cas d'arrêt accidentel.

Activation :

- rallumer la plaque  dans les 6 secondes qui suivent l'arrêt
- et appuyer sur "" sous les 6 secondes successives

● Automatic Heat UP

La fonction Automatic Heat UP permet d'amener plus rapidement à régime la puissance programmée; cette fonction permet d'avoir une cuisson plus rapide mais sans risquer de brûler les aliments car la température ne dépasse pas celle du niveau programmé.



Cette fonction est disponible pour les niveaux de puissance 1 -8 .

Activation :

- appuyer longuement sur la **Barre de sélection (10)**, la puissance souhaitée
- apparaît une "A" sur l'écran (9).

Tableaux de puissance

Niveau de puissance		Typologie de cuisson	Niveau d'utilisation (l'indication doit être associée à l'expérience et aux habitudes de cuisson)
Puissance maximale	Boost	Réchauffer rapidement	Idéal pour élever très rapidement la température des aliments jusqu'à ébullition rapide en cas d'eau ou pour chauffer rapidement les liquides de cuisson
	8-9	Friggere - bollire	Idéal pour le brunissement, commencer à cuire, frire des produits congelés, faire bouillir rapidement
Puissance élevée	7-8	Rôtir - brunir - bouillir - griller	Idéal pour rôtir, maintenir l'ébullition, cuire et griller (courte durée, 5-10 minutes)
	6-7	Rôtir - cuire - cuire à l'étouffée - brunir - griller	Idéal pour brunir, maintenir l'ébullition légère, cuire et griller (pendant une durée moyenne, 10-20 minutes), préchauffer les accessoires
Puissance moyenne	4-5	Cuire - cuire à l'étouffée - brunir - griller	Idéal pour cuire à l'étouffée, maintenir une ébullition délicate, cuire (pour une longue durée). Repasser les pâtes
	3-4	Cuire - frémir - épaissir - rendre crémeux	Idéal pour les cuissons prolongées (riz, sauces, rôtis, poisson), en présence de liquides d'accompagnement (par exemple eau, vin, bouillon, lait), mélanger les pâtes
	2-3	Cuire - frémir - épaissir - rendre crémeux	Idéal pour les cuissons prolongées (volumes de moins d'un litre: riz, sauces, rôtis, poisson) en présence de liquides d'accompagnement (exemple eau, vin, bouillon, lait)
Faible Puissance	1-2	Faire fondre - dégeler - garder au chaud - rendre crémeux	Idéal pour ramollir le beurre, faire fondre doucement le chocolat, décongeler des produits de petites dimensions
	1	Faire fondre - dégeler - garder au chaud - rendre crémeux	Idéal pour garder au chaud de petites portions d'aliments fraîchement cuisinés ou garder à température les plats et faire épaissir le risotto
OFF	Puissance zéro	Surface d'appui	Plan de cuisson en position stand-by ou coupé (présence possible de chaleur résiduelle de la fin de la cuisson, signalée par H-L-O)

Le niveau de puissance (par défaut)		Description
	Chauffer doucement	Localiser un niveau approprié de dissoudre lentement produits délicats sans compromettre les caractéristiques sensorielles de puissance (chocolat, le beurre, etc.).
	Réchauffer	Choisir un niveau de puissance appropriée pour permettre de maintenir la température de vos aliments en douceur, sans atteindre des températures d'ébullition.

Tableaux de cuisson

Catégorie d'aliments	Plats ou type de cuisson	Niveau de puissance et déroulement cuisson			
		Première étape	Puissances	Deuxième étape	Puissances
Pâtes, riz	Pâtes fraîches	Chauffage de l'eau	Booster-9	Cuisson des pâtes et maintien ébullition	7-8
	Pâtes fraîches	Chauffage de l'eau	Booster-9	Cuisson des pâtes et maintien ébullition	7-8
	Riz bouilli	Chauffage de l'eau	Booster-9	Cuisson des pâtes et maintien ébullition	5-6
	Risotto	Saisir et griller	7-8	Cuisson	4-5
Légumes, légumineuses	Blanchis	Chauffage de l'eau	Booster-9	Ébullition	6-7
	Frits	Chauffage de l'huile	9	Friture	8-9
	Sautés	Chauffage de l'accessoire	7-8	Cuisson	6-7
	Mijotés	Chauffage de l'accessoire	7-8	Cuisson	3-4
	Saisis	Chauffage de l'accessoire	7-8	Dorure	7-8
Viandes	Rôti	Brunissement viande avec de l'huile (si avec beurre, puissance 6)	7-8	Cuisson	3-4
	Grillées	Préchauffage de la poêle	7-8	Griller sur les deux côtés	7-8
	Brunissement	Brunissement avec de l'huile (si avec beurre, puissance 6)	7-8	Cuisson	4-5
	En sauce/braisées	Brunissement avec de l'huile (si avec beurre, puissance 6)	7-8	Cuisson	3-4
Poisson	Grillés	Préchauffage de la poêle	7-8	Cuisson	7-8
	En sauce/braisés	Brunissement avec de l'huile (si avec beurre, puissance 6)	7-8	Cuisson	3-4
	Frits	Chauffage de l'huile ou de la matière grasse	8-9	Friture	7-8
Œuf	Omelettes	Chauffage de la poêle avec du beurre ou de la matière grasse	6	Cuisson	6-7
	Omelette	Chauffage de la poêle avec du beurre ou de la matière grasse	6	Cuisson	5-6
	A la coque/durs	Chauffage de l'eau	Booster-9	Cuisson	5-6
	Pancake	Chauffage de la poêle avec du beurre	6	Cuisson	6-7
Sauces	Tomate	Brunissement avec de l'huile (si avec du beurre, puissance 6)	6-7	Cuisson	3-4
	Bolognaise	Brunissement avec de l'huile (si avec du beurre, puissance 6)	6-7	Cuisson	3-4
	Béchamel	Préparation de la base (faire fondre beurre et farine)	5-6	Porter à frémissement	3-4
Gâteaux, crèmes	Crème pâtissière	Porter le lait à ébullition	4-5	Maintenir le frémissement	4-5
	Puddings	Porter le lait à ébullition	4-5	Maintenir le frémissement	2-3
	Riz au lait	Réchauffer le lait	5-6	Maintenir le frémissement	2-3

Instructions pour l'entretien, utilisateur et la maintenance

Attention! Avant toute opération de nettoyage ou d'entretien, s'assurer que les zones de cuisson sont éteintes et le voyant de chaleur a disparu.

Nettoyage

La plaque de cuisson doit être nettoyée après chaque utilisation.

Important :

Ne pas utiliser d'éponges abrasives, de tampons à récurer. Leur utilisation, au fil du temps, pourrait abîmer le verre.

Ne pas utiliser des produits chimiques irritants, tels que les sprays pour fours ou détachants.

Après chaque utilisation, laisser refroidir le plan et le nettoyer pour enlever les dépôts et les taches causées par des résidus alimentaires.

Le sucre ou les aliments à haute teneur en sucre endommagent le plan de cuisson et doivent être retirés immédiatement.

Le sel, le sucre et le sable peuvent rayer la surface du verre.

Utiliser un chiffon doux, des serviettes en papier ou des produits spécifiques pour le nettoyage du plan (suivre les instructions du fabricant).

NE JAMAIS UTILISER DE NETTOYEURS A VAPEUR !!!

Recherche des pannes

CODE D'ERREUR	DESCRIPTION	CAUSES POSSIBLES	SUPPRESSION DE L'ERREUR
ER03 - le plan de cuisson s'éteint après 10 secondes et émet un bip permanent	Pression permanente sur les commandes de la zone	Eau ou ustensiles sur la zone de commande	Nettoyer la zone de commande
ER47	La communication avec le circuit électrique est défectueuse (le panneau de commande s'est éteint - les zones de cuisson ne répondent plus)	Le câble d'alimentation n'a pas été connecté correctement ou est défectueux	Débrancher le plan du circuit électrique et vérifier le raccordement
U400	Le raccordement du plan n'a pas la tension correcte (mauvaise connexion/surtension)	On a détecté une tension différente de celle du raccordement	Débrancher le plan du circuit électrique et vérifier le raccordement
E2	La zone commandes se coupe à cause d'une trop haute température	La température interne de l'électronique est trop élevée	Attendre que le plan se refroidisse avant de l'utiliser à nouveau
E3	Récipient non adapté	Perte des propriétés magnétiques	Retirer la casserole
ER20, ER22 E5, E6, E8, E9 EA, E/H	Appeler le service assistance technique et communiquer le code d'erreur		

Service assistance

Avant de contacter le Service Clientèle

1. Vérifier que vous ne pouvez pas résoudre le problème vous-même sur la base des points décrits dans "Recherche des pannes".
2. Éteindre et rallumer l'appareil pour s'assurer que la panne est résolue.

Si le problème persiste après les susdites vérifications, contacter le Service Clientèle le plus proche.

Garantie

GARANTIE DE DEUX ANS *ELICA North America*

POUR OBTENIR UN DEPANNAGE SOUS GARANTIE

Le propriétaire doit présenter une preuve de la date d'achat. Garder une copie de votre preuve d'achat datée (ticket de caisse) de façon à pouvoir bénéficier du service après-vente sous garantie.

GARANTIE PIECES DE RECHANGE ET MAIN D'OEUVRE

Pendant une période de deux (2) ans à partir de la date d'achat, Elica s'engage à fournir gratuitement les pièces de rechange ou les composants autres que les recharges ayant des défauts de fabrication.

Durant cette garantie de deux (2) ans, Elica fournira également gratuitement, toute la main d'oeuvre et le service à domicile pour remplacer d'éventuelles pièces défectueuses.

CE QUE LA GARANTIE NE COUVRE PAS

- Dégât ou panne du produit causé par un accident ou un cas de force majeure tels que inondation, incendie ou tremblement de terre.
- Dégât ou panne du produit causé par modification du produit ou utilisation de pièces pas d'origine.
- Dégât ou panne du produit causé lors de la livraison, de la manipulation ou de l'installation.
- Dégât ou panne du produit causé par une mauvaise utilisation.
- Dégât ou panne du produit causé par un remplacement des fusibles ou une remise en fonction des disjoncteurs par le propriétaire.
- Dégât ou panne du produit causé par une utilisation du produit pour raison commerciale.
- Déplacement à domicile pour explication d'utilisation ou d'entretien.
- Ampoules, filtres métalliques ou au charbon et toute autre pièce consommable.
- Usure normale.
- Usure due à une mauvaise utilisation du propriétaire, un entretien incorrect, une utilisation de substances nettoyantes corrosives ou abrasives et produits de nettoyage pour four.

QUI EST COUVERT

Cette garantie s'étend à l'acheteur original de produits achetés pour un usage domestique habituel en Amérique du Nord (Y compris Etats Unis, Guam, Porto Rico, les Iles virgin Américaines & le Canada).

Cette garantie n'est pas transférable et vaut uniquement pour l'acheteur original et ne s'étend pas aux propriétaires successifs du produit. Cette garantie vaut expressément en lieu et place de toute autre garantie, expresse ou sous-entendue, mais ne limite pas toute autre garantie sous-entendue de marchandage ou adaptation dans un but particulier et toute autre obligation de la part de Elica North America, étant entendu, cependant, que si la réclamation pour garanties sous-entendues n'est pas applicable aux yeux de la loi en vigueur, la durée de toute garantie sous-entendue émanant de la loi doit être limitée à deux (2) ans à partir de la date d'achat du produit ou à une période plus longue selon ce que dit la loi en vigueur.

Cette garantie ne couvre pas tout dégât particulier, accidentel et/ou consécutif, ni les pertes et profits, à charge du propriétaire, des ses clients et/ou des utilisateurs Des produits.

QUI CONTACTER

Pour obtenir un service après-vente durant la garantie ou pour toute autre question:

- Elica North America Authorized Service - (714) 428-0046
- elica@servicepower.com

Contenido

Aviso de seguridad importante	48
Requisitos eléctricos y de instalación	52
Requisitos eléctricos.....	52
Antes de instalar.....	52
Lista de materiales	53
Piezas suministradas.....	53
Dimensiones y Espacios libres	54
Utilización	57
Recipientes para la cocción	57
Ahorro energético.....	57
Instalación	58
Preparación de la campana para la instalación:	58
Descripción de la campana y los controles	59
Controles	60
Tablas de potencia	63
Tablas de cocción.....	64
Instrucciones para el servicio de venta y de postventa y mantenimiento	65
Limpieza	65
Solución de daños	66
Servicio de asistencia.....	66
Garantía	67

LEA Y GUARDE ESTAS INSTRUCCIONES

Aviso de seguridad importante

SEGURIDAD DE LA PLACA DE COCCIÓN

Hemos proporcionado muchos mensajes de seguridad importantes en este manual y en su aparato. Lea y obedezca siempre todos los mensajes de seguridad.



Este es el símbolo de alerta de seguridad.

Este símbolo le advierte sobre peligros potenciales que podrían ocasionar su muerte o la de otras personas.

Todos los mensajes de seguridad irán a continuación del símbolo de advertencia de seguridad y de la palabra "PELIGRO" o "AVISO".

Estas palabras significan:

⚠ DANGER

Que se pueden producir lesiones graves o la muerte si no se siguen de inmediato las instrucciones

⚠ WARNING

Que se pueden producir lesiones graves o la muerte si no se siguen las instrucciones.

Todos los mensajes de seguridad le dirán cuál es el peligro potencial, cómo reducir el riesgo de lesiones, y lo que puede suceder si las instrucciones no se siguen.

INSTRUCCIONES DE SEGURIDAD IMPORTANTES

AVISO: Para reducir el riesgo de incendio, choque eléctrico, lesiones a personas o daños al usar la placa de cocción, siga las precauciones básicas, incluyendo las siguientes:

- **PRECAUCIÓN:** No guarde objetos de interés para los niños en los gabinetes que se encuentran encima de la placa de cocción — Si los niños se suben a la placa de cocción para alcanzar los objetos podrían sufrir lesiones graves.
- **Instalación Correcta** — Asegúrese de que su placa de cocción sea conectada a tierra por un técnico calificado.
- **Nunca Use la Placa de Cocción para Calentar la Habitación.**
- **No Deje a los Niños Solos** — Los niños no deben quedarse solos o sin vigilancia en el área donde la placa de cocción está en uso. Nunca se les debe permitir sentarse o pararse en ninguna parte de la placa de cocción.
- **Use Ropa Apropiaada** — No se debe usar ropa holgada o prendas que cuelguen cuando se usa la placa de cocción.
- **Mantenimiento Hecho por el Usuario** - No repare ni reemplace ninguna de las partes de la placa de cocción, a menos que se recomiende específicamente en este manual. Cualquier otro tipo de mantenimiento debe ser remitido a un técnico cualificado.
- **Almacenamiento sobre la Placa de Cocción** - No se deben conservar materiales inflamables cerca de las unidades de la superficie de cocción.
- **No Utilice Agua para Apagar un Fuego Provocado por Grasa** — Sofoque las llamas o utilice productos químicos secos o un extinguidor de espuma.
- **Solo Utilice Agarradores Secos** — Los agarradores húmedos o mojados sobre superficies calientes pueden provocar quemaduras por vapor. No permita que los agarradores toquen los elementos de calentamiento que estén calientes. No utilice toallas u otros paños gruesos.
- **NO TOQUE LAS UNIDADES DE LA SUPERFICIE DE COCCIÓN U OTRAS ZONAS CERCANAS A ESTAS** — Las unidades de la superficie pueden estar calientes aunque tengan un color oscuro. Las zonas cercanas a las unidades de la superficie de cocción pueden calentarse lo suficiente como para causar quemaduras. Durante y después del uso, no toque ni deje telas u otros materiales inflamables cerca de las unidades de la superficie de cocción hasta que haya transcurrido el tiempo suficiente para que se enfrien. Entre esas zonas se encuentran la placa de cocción y las superficies que miran hacia la placa de cocción.
- **Utilice Cacerolas de Tamaño Adecuado** — Esta placa de cocción está equipada con una o más unidades de superficie de diferente tamaño. Elija utensilios de cocina con bases planas lo suficientemente grandes para cubrir la unidad de calentamiento de la superficie. La proporción correcta del utensilio de cocina con respecto al elemento de calentamiento también mejorará la eficiencia.
- **Nunca Descuide las Unidades de Superficie al Trabajar a Altas Temperaturas** - El hervor provoca humos y los derrames de grasa pueden prenderse fuego.
- **Utensilios de Cocina Vidriados** — Solo ciertos tipos de vidrio, vidrio/cerámica, cerámica, loza de barro u otros utensilios vidriados son adecuados para utilizarlos en la placa de cocción sin que se rompan debido al cambio repentino de temperatura.
- **Los Mangos de los Utensilios Deben Colocarse Hacia Adentro y No Deben Extenderse Sobre las Unidades de la Superficie Adyacentes** — Para reducir el riesgo de quemaduras, incendio de materiales inflamables y derrames debidos al contacto accidental con el utensilio, siempre coloque el mango de los utensilios hacia adentro, de manera que no se extiendan sobre las unidades de la superficie adyacentes ni sobre el borde de la placa.
- **No Cocine en una Placa de Cocción Rota** — Si la placa de cocción se rompe, las soluciones de limpieza y los derrames pueden penetrar en la placa de cocción rota y crear un riesgo de descarga eléctrica. Póngase en contacto con un técnico cualificado de inmediato.
- **Limpie la Placa de Cocción con Precaución** — Si utiliza una esponja húmeda o un paño para limpiar derrames en una superficie caliente, tenga cuidado para evitar quemaduras por vapor. Algunos limpiadores pueden producir emanaciones tóxicas si se aplican en una superficie caliente.

Para unidades con campana de extracción —

- **Limpiar las Campanas de Extracción Frecuentemente** - No debe permitir que la grasa se acumule en la campana o en el filtro.
- **Cuando tenga que flambear alimentos debajo de la campana, encienda el ventilador.**

Para unidades con elementos con bobinas —

- **Asegúrese de que los Platillos Reflectantes o los Cuencos Recogegotas Estén en su Lugar** — La ausencia de estos platillos o cuencos durante la cocción pueden dañar el cableado o los componentes que están debajo.
- **Forros Protectores** — No use papel de aluminio para forrar los cuencos de goteo de la unidad de superficie, excepto como se sugiere en el manual. La instalación incorrecta de estos protectores pueden resultar en un riesgo de descarga eléctrica o un incendio.
- **No Remoje Los Elementos de Calentamiento Desmontables** - Los elementos de calentamiento nunca se deben sumergir en agua.

GUARDE ESTAS INSTRUCCIONES

Esta placa de inducción genera y utiliza energía con frecuencia ISM que calienta los utensilios de cocina mediante un campo electromagnético. Ha sido sometida a pruebas y cumple con la Parte 18 de las normas de la Comisión Federal de Comunicaciones (Federal Communications Commission, FCC) para los equipos ISM. Esta placa de inducción cumple con los requisitos de la FCC para minimizar la interferencia con otros dispositivos en instalaciones residenciales.

Esta placa de inducción puede causar interferencias con la recepción de la televisión o la radio. Si se produce interferencia, el usuario debe intentar corregir la interferencia de la siguiente manera:

- Cambiando la ubicación de la antena receptora de la radio o televisión.
- Aumentando la distancia entre la placa de cocción y el receptor.
- Conectando el receptor en una toma de corriente diferente.

Es responsabilidad del usuario corregir cualquier interferencia.

ATENCIÓN: Las personas con un marcapasos o con un dispositivo médico similar deben tener cuidado cuando se paren cerca de esta placa de inducción en funcionamiento. El campo electromagnético puede afectar el marcapasos o dispositivo similar. Consulte a su médico o al fabricante del marcapasos o del dispositivo médico similar para obtener más información sobre sus efectos en combinación con los campos electromagnéticos de una placa de inducción.

Cuidado! Seguir cuidadosamente las siguientes instrucciones:

- El aparato se está desconectado de la red eléctrica antes de realizar cualquier trabajo de instalación.
- La instalación o el mantenimiento debe ser realizado por un técnico calificado, de conformidad con las instrucciones del fabricante y en cumplimiento de la normativa local en materia de seguridad. No reparar o sustituir ninguna parte del aparato a menos que se solicite específicamente en el manual de uso.
- La instalación del polo a tierra del aparato es obligatoria.
- El cable de alimentación debe ser lo suficientemente largo para permitir la conexión del aparato, empotrado en el mueble, a la red eléctrica.
- Para que la instalación cumpla con las normas de seguridad vigentes, es necesario un interruptor de corte omnipolar bajo norma que asegure la desconexión completa de la red eléctrica en condiciones de la categoría de sobrecarga III, de acuerdo con las reglas de instalación.
- No utilizar tomas eléctricas múltiples o cables de extensión.
- Una vez finalizada la instalación, los componentes eléctricos no deberán ser accesibles por el usuario.
- El equipo y las partes accesibles se incandescentes durante el uso. Tener cuidado de no tocar los elementos calientes.
- Este aparato puede ser utilizado por niños a partir de los 8 años de edad y por personas con capacidades físicas, sensoriales o mentales limitadas o con falta de experiencia y conocimiento si se encuentran supervisados adecuadamente o si han sido capacitados sobre el uso del aparato de forma segura y si se dan cuenta de los peligros relacionados con éste. Los niños no deben jugar con el aparato. Las operaciones de limpieza y mantenimiento no deben ser realizadas por niños bajo ninguna supervisión.
- Asegurarse de que los niños no jueguen con el aparato; mantener a los niños a una distancia prudente y bajo supervisión, ya que las partes accesibles pueden calentarse bastante durante el uso.
- Para los portadores de marcapasos e implantes activos es importante comprobar, antes del uso de la placa a inducción, que el implante sea compatible con

el aparato.

- Durante y después del uso, no tocar los elementos calientes del dispositivo.
- Evitar el contacto con paños u otros materiales inflamables hasta que todos los componentes del aparato no hayan enfriado lo suficiente
- No poner materiales inflamables sobre el dispositivo o en sus proximidades.
- Las grasas y aceites ya utilizados son fácilmente inflamables. Supervisar la cocción de los alimentos ricos en grasas y aceites.
- La limpieza y las operaciones de mantenimiento realizadas por el usuario no deben ser llevadas a cabo por niños sin la supervisión por parte de una persona responsable.
- Es obligatoria la instalación de un panel separador, no incluido, en el espacio debajo del aparato.
- Si la superficie se encuentra agrietada, apagar el aparato para evitar la posibilidad de una descarga eléctrica.
- El aparato no está destinado a ser puesto en funcionamiento por medio de un temporizador externo o un sistema de control remoto separado.
- La cocción sin supervisión sobre una placa de cocción con aceite o grasa puede ser peligrosa y causar incendios.
- El proceso de cocción debe ser supervisado. Un proceso de cocción de corto término debe ser supervisado continuamente.
- No intentar NUNCA de apagar el fuego con agua. En su lugar, apagar el aparato y sofocar las llamas, por ejemplo, con una cubierta o con una manta anti-incendio. Peligro de incendio: no colocar objetos sobre las superficies de cocción.
- No utilizar limpiadores a vapor.
- No colocar objetos metálicos, tales como cuchillos, tenedores, cucharas y tapas, sobre la superficie de la placa de cocción ya que podría sobrecalentarse.
- Antes de conectar el modelo a la red eléctrica: verificar la placa de datos (localizada en la parte inferior del aparato) para asegurarse que el voltaje y la potencia corresponden a aquellos de la red eléctrica y que el enchufe es adecuado. En caso de duda, contactar a un electricista calificado.

Importante:

- Después de su uso, apagar la placa de cocción por medio de su dispositivo de control y no tener en cuenta el detector de ollas.
- Evitar derrames de líquidos, por lo tanto, para hervir o calentar líquidos, reducir el suministro de calor.
- No dejar elementos calientes encendidos con ollas o sartenes vacías o sin recipientes.
- Cuando se termine de cocinar, apagar la zona correspondiente.
- Al cocinar, nunca utilizar papel de aluminio o nunca posar directamente productos empacados con aluminio. El aluminio se fundiría y dañaría irreparablemente su electrodoméstico.
- Nunca calentar una lata o tarro de lata que contenga alimentos sin primero abrirlo: podría explotar!

Esta advertencia se aplica para todos los otros tipos de placas de cocción.

- El uso de una alta potencia tal como la función Booster no es adaptada para el calentamiento de algunos líquidos como por ejemplo el aceite para freír. El calor excesivo puede ser peligroso. En estos casos se recomienda el uso de una potencia más baja.
- Los recipientes deben ser colocados directamente sobre la placa de cocción y deben estar centrados. Bajo ninguna circunstancia colocar otros objetos entre la olla y la placa de cocción.
- En situaciones de altas temperaturas, el aparato disminuye automáticamente el nivel de potencia de las zonas de cocción.

Requisitos eléctricos y de instalación

Requisitos eléctricos

Fig. 2.

- Desconectar el aparato de la red eléctrica
- La instalación debe ser realizada por personal profesionalmente cualificado y con conocimiento de las normas vigentes en materia de instalación y seguridad.
- El fabricante declina cualquier responsabilidad sobre las personas, animales o cosas, en caso de incumplimiento de las instrucciones proporcionadas en el presente capítulo.
- Asegúrese de que la potencia indicada en la placa de datos, montada en la parte inferior del aparato, se corresponda a la del local en el que se va instalar.
- No utilice cables de extensión.
- La puesta a tierra es obligatoria por ley

IMPORTANTE

cumpla todas las normativas y ordenanzas gubernamentales.

Es responsabilidad del cliente:

Ponerse en contacto con un instalador eléctrico cualificado. Asegurarse de que la instalación eléctrica es adecuada y en conformidad con National Electrical Code, ANSI/NFPA 70 (última edición*) o CSA Standards C22.1-94, Canadian Electrical Code, Parte 1 y C22.2 No.0-M91 (última edición*) y toda la normativa y las ordenanzas locales.

Si la normativa lo permite y se utiliza un cable de toma a tierra independiente, se recomienda que un electricista cualificado determine si la difracción de onda de tierra es la adecuada.

No ubique la toma a tierra en una tubería de gas.

Si no está seguro de que la campana está correctamente conectada a tierra, consulte a un electricista cualificado.

No coloque ningún fusible en el circuito neutral o con vuelta por tierra.

IMPORTANTE

Guarde las instrucciones de instalación para su uso por parte del inspector de electricidad.

La campana debe estar conectada únicamente con hilo de cobre.

La campana debe estar conectada directamente al desconector con fusible (O disyuntor) mediante canal metálico de cables eléctricos.

Los tamaños de cable deben cumplir los requisitos de la National Electrical Code, ANSI/NFPA 70 (última edición*) o CSA Standards C22.1-94, Canadian Electrical Code, Parte 1 y C22.2 No.0-M91 (última edición*) y toda la normativa y las ordenanzas locales.

Es preciso colocar un conector de canal de cables enumerado en U.L. o C.S.A. en cada extremo del canal de cables de fuente de alimentación (En la campana y en la caja de conexiones).

Se pueden obtener copias de los estándares enumerados en:

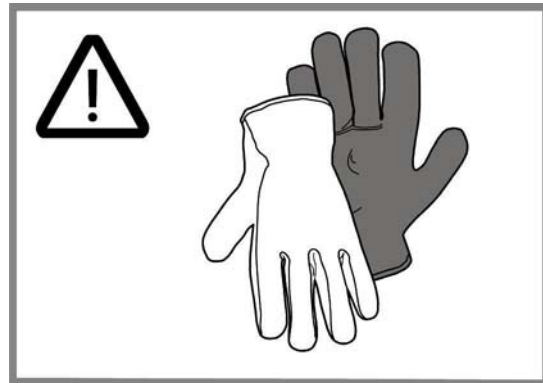
* National Fire Protection Association Batterymarch Park Quincy, Massachusetts 02269

** CSA International 8501 East Pleasant Valley Road Cleveland, Ohio 44131-5575

Antes de instalar

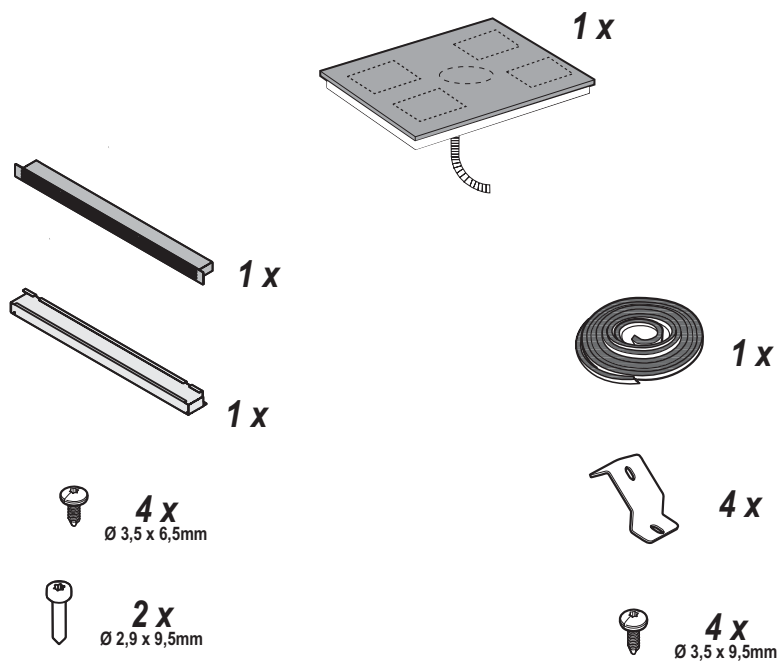
Para realizar la instalación, se necesitan al menos dos personas.

Use guantes para protegerse contra los bordes afilados.



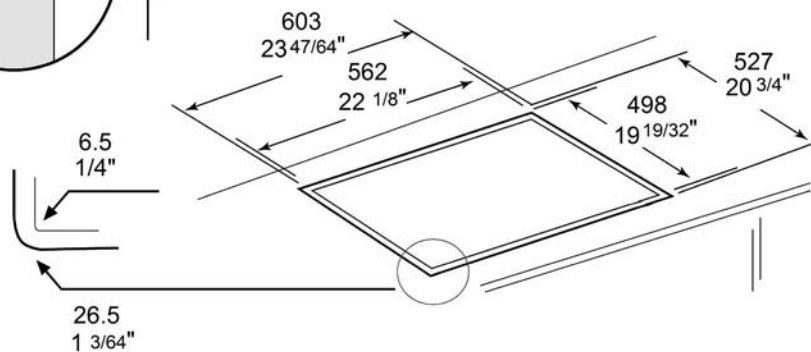
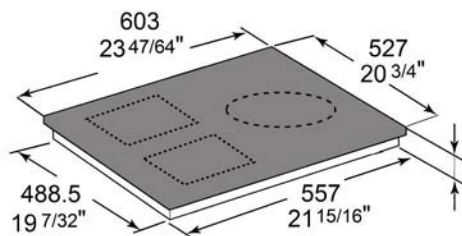
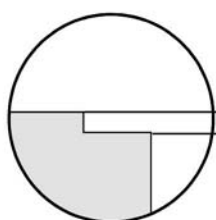
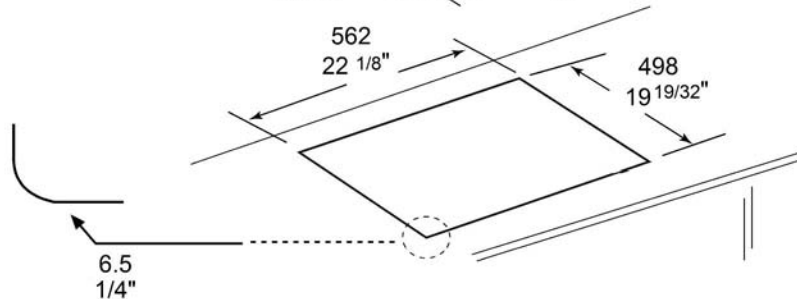
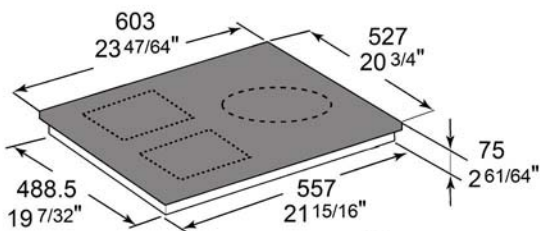
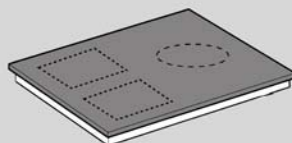
Lista de materiales

Piezas suministradas

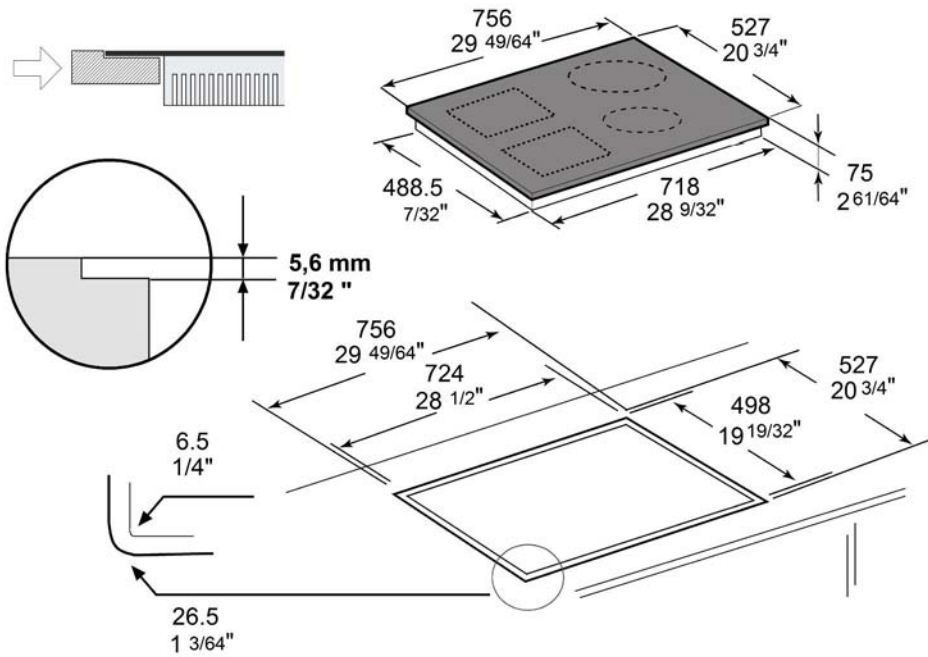
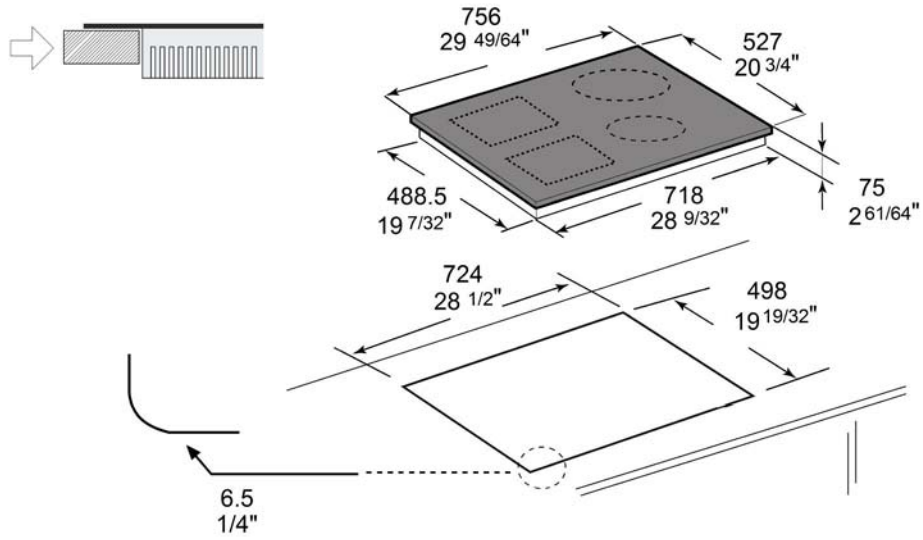
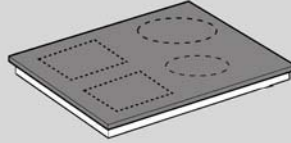


Dimensiones y Espacios libres

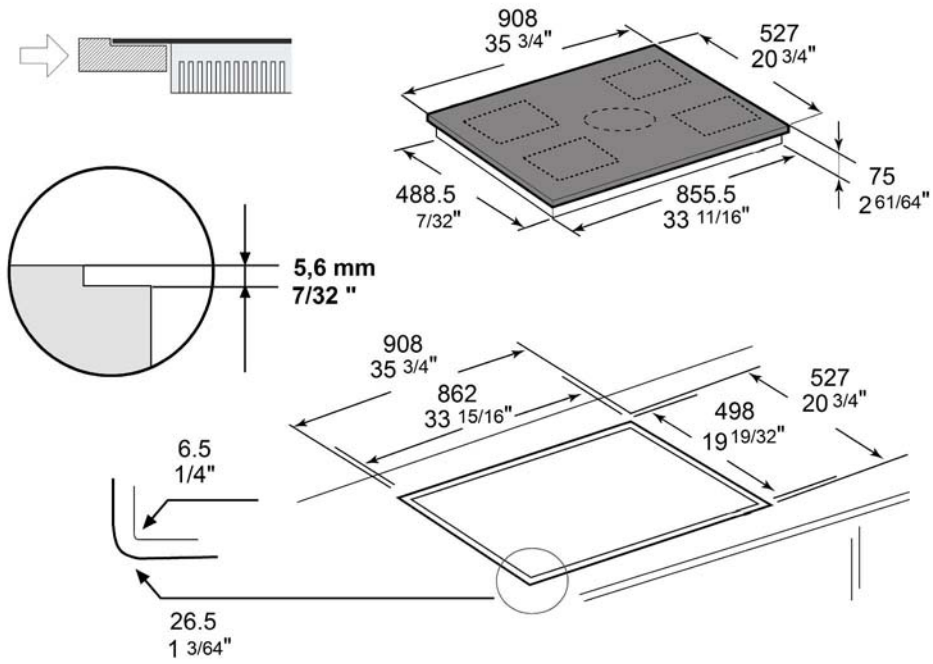
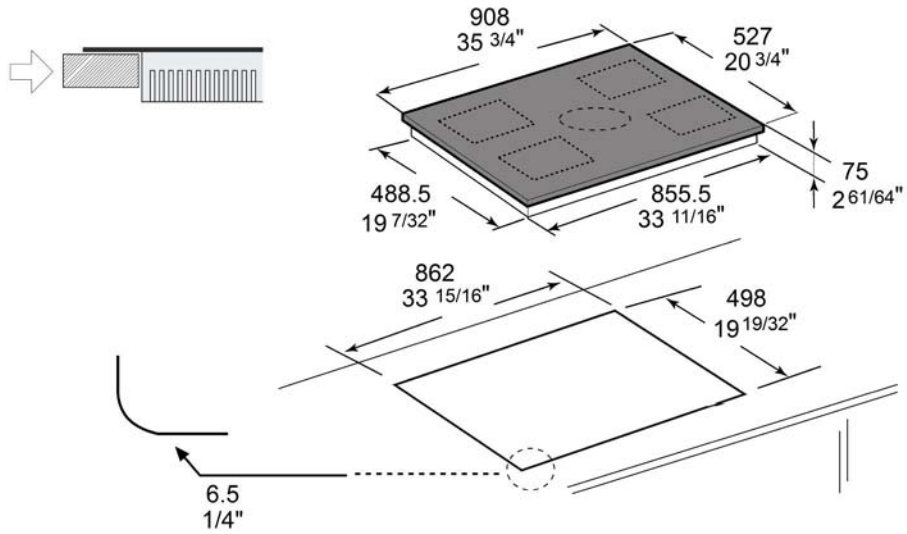
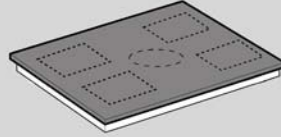
24"



30 "



36"



Utilización


El sistema de cocción por inducción se basa en el fenómeno físico de la inducción magnética. La característica fundamental de este sistema es la transferencia directa de energía del generador a la olla.

Beneficios:

Comparada con las placas de cocción eléctricas, su placa de inducción es:

- **Más segura:** menor temperatura sobre la superficie del vidrio.
- **Más rápida:** tiempos menores de calentamiento de alimentos.
- **Más precisa:** la placa reacciona inmediatamente a los mandos
- **Más eficiente:** el 90% de la energía absorbida se transforma en calor. Además, una vez que se retira la olla de la placa, la transmisión de calor se interrumpe de inmediato, evitando así pérdidas innecesarias de calor.

Recipientes para la cocción

Utilice solo ollas con el símbolo 

Importante:

para evitar daños permanentes en la superficie de la placa, no utilice:

- recipientes con fondo que no sea perfectamente plano.
- recipientes de metal con una base esmaltada.
- recipientes con una base rugosa, para evitar rayar la superficie de la placa.
- nunca coloque ollas o sartenes calientes sobre la superficie del panel de control de la placa

Recipientes ya existentes

La cocción por inducción utiliza el magnetismo para generar calor. Por tanto, los recipientes deben tener hierro. Se puede comprobar si el material de la olla es magnético con un simple imán. Las ollas no son adecuadas si no se detectan magnéticamente.

Diámetros del fondo de olla recomendados

IMPORTANTE: si las ollas no tienen las dimensiones adecuadas, las zonas de cocción no se encienden.

Para ver el diámetro mínimo de la olla a utilizar en cada zona individual, consulte la parte ilustrada de este manual.

Ahorro energético

Para obtener mejores resultados se recomienda:

- Usar ollas y sartenes cuyo diámetro del fondo sea igual al de la zona de cocción.
- Usar únicamente ollas y sartenes con fondos planos.
- Siempre que sea posible, mantener la tapa sobre las ollas durante la cocción
- Cocinar verduras, patatas, etc. en una pequeña cantidad de agua para reducir el tiempo de cocción.
- El uso de ollas a presión reduce aún más el consumo de energía y el tiempo de cocción
- Colocar la olla en el centro de la zona de cocción dibujado en la placa.

Instalación

Preparación de la campana para la instalación:

Antes de iniciar con la instalación:

- Después de desembalar el producto verifique que no se haya dañado durante el transporte y en caso de problemas, contacte con el distribuidor o el Servicio de Atención al Cliente, antes de proceder a la instalación.
- Asegúrese de que el producto comprado sea de un tamaño adecuado para la zona de instalación escogida.
- Asegúrese de que en el interior del embalaje no hay (por motivos de transporte) materiales de embalaje (tales como bolsas con tornillos, garantías, etc.), que en su caso deberá ser quitado y guardado.
- Verifique también que cerca de la zona de instalación se encuentre disponible una toma de corriente.

Preparación del mueble para el empotramiento:

- Debido a que la parte inferior del producto no debe ser accesible después de la instalación, se debe instalar un panel separador (por protección) bajo la placa de cocción (no suministrado con el producto), en el caso en que sea accesible después de la instalación
- En el caso de la instalación de un horno bajo la placa de cocción, no interponer el panel separador.
- Si un horno se coloca bajo la placa de inducción es preferible que esté equipado con un ventilador de refrigeración.
- No usar la placa a inducción mientras que la limpieza PIROLÍTICA del horno está en funcionamiento.
- Evitar instalar la placa de cocción encima de la lavavajillas o la lavadora de manera que los circuitos electrónicos no entren en contacto con el vapor o la humedad y se dañen.
- La distancia entre la parte inferior del aparato y el panel de división (o cualquier aparato instalado debajo de la placa a inducción) debe respetar las dimensiones indicadas.
- Para un correcto funcionamiento del producto no obstruir la abertura mínima entre la superficie de trabajo y el lado superior de la placa del mueble.
- Para permitir una ventilación adecuada y la circulación de aire fresco deben existir una aberturas en el mueble de la cocina, según las dimensiones indicadas.
- Realizar todos los trabajos de corte de los muebles antes de insertar la placa de cocción y retirar con cuidado virutas o aserrín.

Fig. 1a/1b

¡ATENCIÓN! La falta de montaje de tornillos y elementos de fijación según lo indicado en estas instrucciones puede comportar riesgos de naturaleza eléctrica.

Conexión eléctrica

ADVERTENCIA

Peligro de descarga eléctrica

Advertencia: antes de realizar el cableado de este aparato, desactive el circuito de energía eléctrica en el panel de servicio.

Se requiere un circuito 120 VAC, 15 ó 20 A.

INSTRUCCIONES DE TOMA ELÉCTRICA

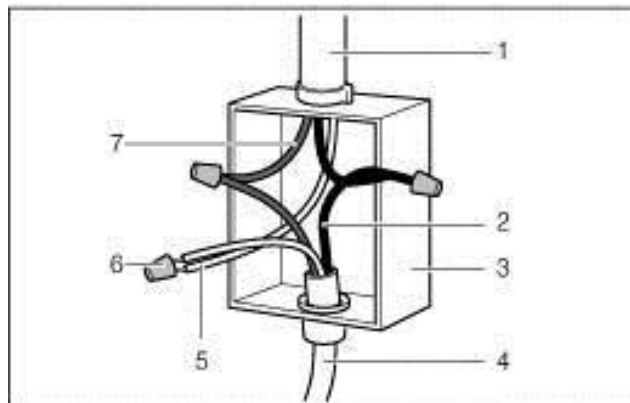
ESTE APARATO DISPONE DE UNA CAJA DE CONEXIONES ELÉCTRICAS CON 3 CABLES, UNO DE LOS CUALES (VERDE Y AMARILLO) SIRVE COMO TOMA DE TIERRA PARA EL APARATO PARA PROTEGERSE DE DESCARGAS ELÉCTRICAS, EL CABLE VERDE Y AMARILLO DEBE ESTAR CONECTADO AL CABLE DE TOMA A TIERRA DE SU SISTEMA DOMÉSTICO DE ELECTRICIDAD Y BAJO NINGUNA CIRCUNSTANCIA DEBE CORTARSE O ELIMINARSE.

De lo contrario, podría tener como resultado una descarga eléctrica o la muerte.

Retire el pestillo extraíble y la tapa de la caja de conexiones e instale el conector de canal de cables (Enumerado en cULUS) en la caja de conexiones.

El amperaje máximo de los disyuntores derivados, la sección de los cables y las conexiones deben ser conformes con los requisitos del Reglamento electrotécnico nacional o el Reglamento eléctrico canadiense, así como con todos los demás reglamentos y disposiciones locales. Conectar un conducto flexible a la caja de conexión. Conectar los cables a la fase correcta de los cables de alimentación de la caja de conexión:

- Negro (L1) a negro
- Rojo (L2) a rojo
- Verde o desnudo a masa

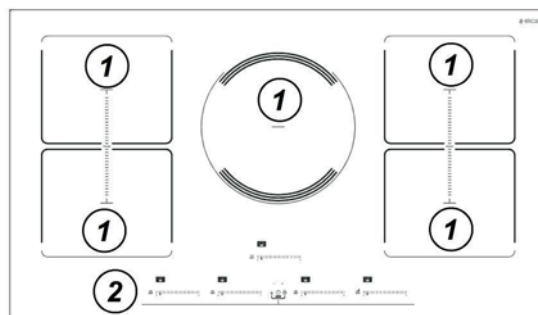
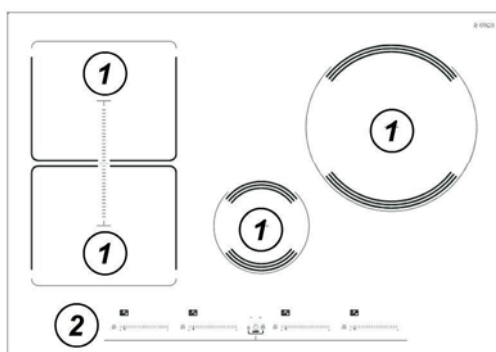
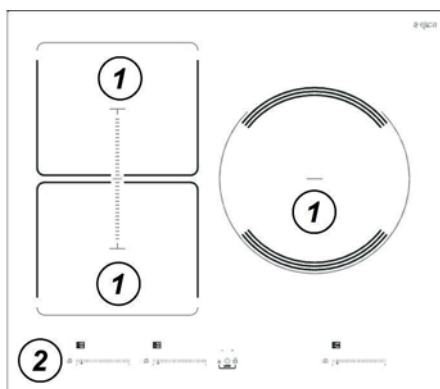


- 1 Cable de suministro de corriente de la casa
- 2 Cable negro
- 3 Caja de conexiones
- 4 Cable de suministro de corriente de la placa
- 5 Cable verde o desnudo de conexión a tierra
- 6 Conector UL certificado
- 7 Cable rojo

Si la placa se instala y conecta como se especificó anteriormente, estará totalmente conectada a tierra conforme al Código Nacional Eléctrico.

Sequences installation - pag. 68

Descripción de la campana y los controles



- 1 - Panel de control
- 2 - Zone de cocción

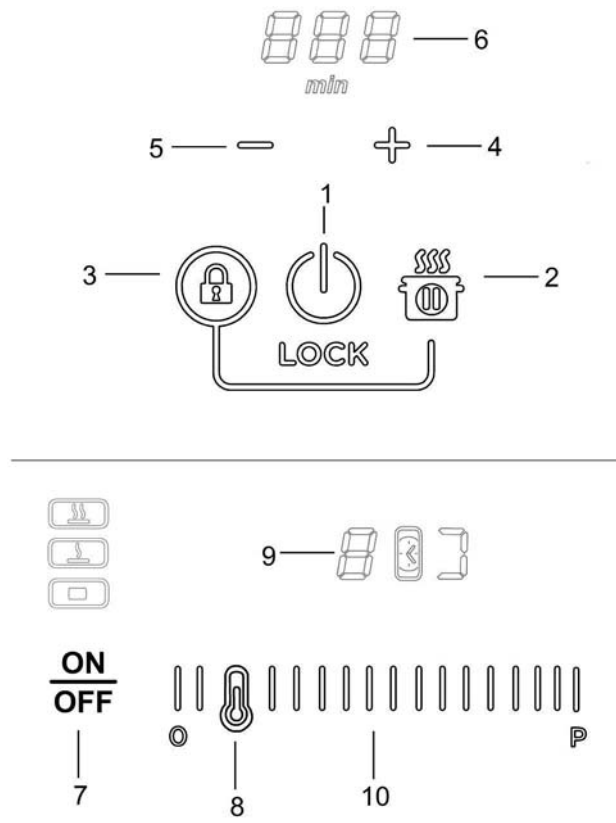
Controles

Descripción del panel de control

Panel de control

La placa de cocción dispone de un inteligente y sofisticado sistema de comunicación inalámbrico, capaz de comunicarse con algunos modelos de campanas Elica conectables. Dependiendo del uso de la placa de cocción y de lo que está cocinando, tales campanas reciben información de la placa de cocción, la procesan y se activan de manera automática y optimizada para eliminar cualquier derroche. Consulta la página web www.elica.com para ver la gama de campanas conectable con tu placa de cocción.

Nota: Para seleccionar los comando basta tocar suavemente (presionar) los símbolos que representan.



Funciones principales:


1. Función **ON/OFF placa** de cocción
2. Función "Pausa / Recall"
3. Función "Key Lock"
Función "Child Lock" (si se presiona junto con el 2.)
4. Activación Temporizador (si se presiona junto con el 5.)
Aumento Temporizador
5. Activación Temporizador (si se presiona junto con el 4.)
Disminución Temporizador
6. Indicador del Temporizador
7. Función **ON/OFF zona** de cocción
8. Selector función Temperature Manager
9. Indicador de las zonas de cocción
10. Barra de selección de la zona de cocción y ajuste de niveles (potencia) de operación.

Antes de iniciar:

Todas las funciones de esta placa de cocción están diseñadas para cumplir con las más estrictas normas de seguridad.

Por esta razón:

- Algunas funciones no se activan, o bien se desactivan automáticamente en ausencia de ollas sobre la zona de cocción o cuando están colocadas de manera incorrecta.
- En otros casos, las funciones activadas se desactivan automáticamente después de pocos segundos cuando la función seleccionada requiere un ajuste adicional que no se da (por ejemplo: "Encender la placa de cocción" sin "Seleccionar la zona de cocción" y la "Temperatura de operación", o bien la "Función Lock" o la "Temporizador").

 ¡Cuidado! En caso (por ejemplo) de uso prolongado, el apagado de la zona de cocción puede no ser inmediato, debido a que se encuentra en una fase de enfriamiento; en el indicador de las zonas de cocción aparece el símbolo "H" para indicar que se está ejecutando esta fase. Espere a que el indicador se apague antes de acercarse a la zona de cocción.

Indicador zona cocción

En los indicadores correspondientes a las zonas de cocción, se indica:

Zona de cocción encendida	0
Nivel (Potencia) de operación	1...9.P
Zona de cocción en enfriamiento	H
Problemas de detección de la olla	-
Función Bridge activada	J
Función Temperature Manager activada	U
Función Key Lock / Child Lock activada	L

Características de la placa

● Safe Activation

El producto se activa solo en presencia de ollas en las zonas de cocción: el proceso de calentamiento no se activa o bien se interrumpe en caso de ausencia de ollas.

● Pot Detector

El producto detecta de manera automática la presencia de ollas en las zonas de cocción.

● Safety Shut Down

Por motivos de seguridad, cada zona de cocción cuenta con un tiempo de funcionamiento máximo que depende del nivel de potencia programado.

● Residual Heat Indicator

Con el apagado de una o más zonas de cocción, la presencia de calor residual es indicada a través de una señal visual específica en el indicador de la zona correspondiente, mediante el símbolo "H".

Funcionamiento

Nota: Para activar una función cualquiera, es preciso activar previamente la zona que se desea utilizar

● Encender la placa de cocción

Presione (toque) la **Función ON/OFF placa de cocción (1)**, la luz de aviso se enciende para indicar que la placa está lista para funcionar.

Presione de nuevo para apagar la placa de cocción.

Nota: Esta función es prioritaria sobre todas las demás.

● Seleccionar la zona de cocción

Presione el **ON/FF zona de cocción (7)** correspondiente a la zona de cocción deseada; la luz de aviso se enciende para indicar que la zona de cocción está lista para configurar un nivel de potencia.

Nota: la zona de cocción se selecciona automáticamente al apoyar la olla.

Nivel (Potencia) de operación:

Toque y recorra con los dedos de modo prolongado la **Barra de selección (10)**: hacia la derecha para aumentar el nivel de potencia; hacia la izquierda para disminuir el nivel de potencia;

Nivel (Potencia) Booster "P" (temporizado):

Para activar el nivel (Potencia) Booster recorra con los dedos de modo prolongado la **Barra de selección (10)** hacia la derecha (o presionar la zona relativa a la letra "P")

El "Booster" tiene una duración de 10 minutos, después de lo cual, la temperatura se baja hasta el nivel anterior.

Nota: el Temporizador tiene programado el "Booster" incluso después de quitar la olla, la zona de cocción se desactiva para reactivarse en la modalidad "Booster" por los minutos restantes en cuanto se vuelve a colocar la olla.

● Función Bridge

Permite utilizar dos zonas de cocción contemporáneamente; es posible usar combinadas dos zonas de cocción cercanas.

(Consulte la parte ilustrada de este manual)

Para activar la **Función Bridge**:

- **Seleccione contemporáneamente las barras de selección, de las dos zonas de cocción que se quieren utilizar,**

- en el indicador (9) de las zonas de cocción seleccionadas aparecerán los símbolos "[]"

- en el indicador (9) de la zona de cocción anterior se visualizará (y será posible configurare) el **Nivel (Potencia) de operación.**

Nota: para desactivar la **Función Bridge** presione nuevamente contemporáneamente las barras de selección de las zonas de cocción.

● Temporizador (4 -5)

El Temporizador se activa presionando el símbolo "+" (4) y el símbolo "-" (5), contemporáneamente;

Tan pronto como el temporizador ha terminado la cuenta regresiva se emite una señal acústica (durante 2 minutos, o se detiene pulsando cualquier tecla en la placa), mientras el indicador (6) con símbolo "0.00", parpadea.

Nota: el temporizador es solo una señal acústica de aviso, que a la expiración de los minutos **NO interrumpirá el funcionamiento de la zona de cocción**

Ajuste de la función Temporizador

- Seleccione la zona de cocción.
- Presione el símbolo "+" (4) y el símbolo "-" (5) contemporáneamente, para acceder a la función d regulación.
- Ajuste el tiempo de duración del Temporizador:

utilice el símbolo "+" (4) y el símbolo "-" (5), respectivamente para aumentar o disminuir el tiempo de apagado automático

Si se desea, repetir la operación para las otras zonas de cocción.

Nota: Cada zona de cocción puede tener configurado un Temporizador diferente; en el indicador (6) se visualizará la cuenta atrás con tiempo menor;

Para el apagado del Temporizador:

- ajuste el valor del Temporizador a "0"
- apague la placa de cocción (1) o la zona de cocción (7)

Nota: la función permanece activa si, mientras tanto, no se presionan otros botones.

Nota: al lado de la zona de cocción, estando el Temporizador activo, aparece el símbolo "0.00"

● Key Lock

El Key Lock permite bloquear las programaciones de la placa, para impedir manipulaciones accidentales, dejando activas las funciones ya programadas.

Activación:

- presione  (3)



- el LED colocado sobre el botón se enciende, para indicar la activación

Repita la operación para desactivar.

● Child Lock

La función Child Lock permite evitar que los niños puedan encender de manera accidental las zonas de cocción, dado que desactiva cualquier función. La función Child Lock puede activarse solo cuando el aparato está encendido y las zonas de cocción están apagadas.





Activación:

- retire las ollas que puedan estar presentes sobre la placa de cocción
- presione y mantenga presionados contemporáneamente  (3) y la  (2), un señal acústico indica que la función está activada y se visualiza una "L" en el indicador (6) y (9).

Repita la operación para desactivar.

● Función Temperature Manager

- Seleccione la zona de cocción (7) deseada.
 - Mantenga presionado durante una o más veces el Selector Temperature Manager (8) para elegir el nivel más adecuado entre los disponibles:


	Melting*	
	Warming*	
* Consulte la tabla "Temperature Manager" al final de este capítulo.		

- Presione una vez más para apagar.

● Pausa


La función Pausa permite suspender cualquier función activa en la placa, llevando a cero la potencia de cocción.

Activación:

- presione  (2)
- se visualizará una "P" en el indicador (13).

Para desactivar la función:

Nota: esta operación restaura las condiciones de la placa antes de la pausa

- presione  (10)
 - en 10 segundos recorrer hacia la derecha con los dedos de modo prolongado la Barra de selección (3), relativa a la zona de cocción 2 (FIG.19):



Nota: Si la operación no es realizada en este tiempo, la función pausa permanece activa.

Nota: Si después de 10 minutos, la Función Pausa no es desactivada, la placa se apaga automáticamente.

● Recall

La función Recall permite recuperar todas las programaciones configuradas en la placa, en caso de apagado accidental.

Activación:

- encienda de nuevo la placa 
dentro de 6 segundos desde el apagado
- presione "" dentro de los otros 6 segundos sucesivos

● Automatic Heat UP



La función Automatic Heat UP permite llevar más rápidamente a régimen la potencia programada; con esta función tenemos la ventaja de tener una cocción más rápida, pero sin el riesgo de quemar los alimentos, porque la temperatura no sobrepasa la del nivel programado. Esta función está disponible para los niveles de potencia 1 -8.

Activación:

- presione de modo prolongado, en la Barra de Selección (10), la potencia deseada
- se visualizará una "A" en el indicador (9).

Tablas de potencia

Nivel de potencia		Tipo de cocción	Uso del nivel (la indicación combina la experiencia y los hábitos de cocción)
Max potencia	Boost	Calentar rápidamente	Ideal para elevar en breve tiempo la temperatura de la comida hasta alcanzar una ebullición rápida, en caso de agua o rápidamente calentar líquidos de cocción
	8-9	Freír - hervir	Ideal para dorar, iniciar una cocción, freír congelados, hervir rápidamente
Alta potencia	7-8	Dorar – sofreír - hervir - grillar	Ideal para freír, mantener la ebullición viva, cocinar y asar a la parrilla (breve duración, 5-10 minutos)
	6-7	Dorar - cocinar – estofar – sofreír - grillar	Ideal para sofreír, mantener una ebullición ligera, cocinar y asar a la parrilla (duración media, 10 a 20 minutos), precalentar accesorios
Media potencia	4-5	Cocinar – estofar – sofreír - grillar	Ideal para estofar, mantener ebullición delicada, cocinar (larga duración). Condimentar la pasta
	3-4	Cocinar - cocinar a fuego lento – adensar - condimentar	Ideal para cocciones de larga duración (arroz, salsas, asados, pescado), en presencia de líquidos de acompañamiento (por ejemplo, agua, vino, caldo, leche), condimentar la pasta
	2-3	Cocinar - cocinar a fuego lento – adensar - condimentar	Ideal para una cocción de larga duración (volúmenes inferiores a un litro: arroz, salsas, asados, pescado), en presencia de líquidos de acompañamiento (por ejemplo agua, vino, caldo, leche)
Baja potencia	1-2	Fundir– descongelar – mantener caliente - condimentar	Ideal para ablandar mantequilla, derretir suavemente el chocolate, descongelar productos pequeños
	1	Fundir– descongelar – mantener caliente - condimentar	Ideal para mantener calientes pequeñas porciones de alimentos recién cocinados o mantener la temperatura en los platos para servir y condimentar el risotto
OFF	Potencia cero	Superficie de apoyo	Placa de cocción en posición de stand-by o apagado (posible presencia de calor residual de la final de la cocción, señalado con H-L-O)

Nivel de potencia (preestablecido)		Descripción
	Melting	Identifica un nivel de potencia apto para derretir lentamente productos delicados sin comprometer las características sensoriales (chocolate, mantequilla etc.).
	Warming	Identifica un nivel de potencia apto para permitir de mantener la temperatura de sus comidas en modo delicado, sin alcanzar temperaturas de ebullición.

Tablas de cocción

Categoría de alimentos	Platos o tipo de cocción	Nivel de potencia y proceso de cocción			
		Primera fase	Potencias	Segunda fase	Potencias
Pasta, arroz	Pasta fresca	Calentamiento del agua	Booster-9	Cocción de la pasta y mantenimiento de la ebullición	7-8
	Pasta fresca	Calentamiento del agua	Booster-9	Cocción de la pasta y mantenimiento de la ebullición	7-8
	Arroz cocido	Calentamiento del agua	Booster-9	Cocción de la pasta y mantenimiento de la ebullición	5-6
	Risotto	Sofreír y tostar	7-8	Cocción	4-5
Verduras, legumbres	Cocidos	Calentamiento del agua	Booster-9	Cocción	6-7
	Fritos	Calentamiento del aceite	9	Frito	8-9
	Sofritos	Calentamiento del accesorio	7-8	Cocción	6-7
	Estofados	Calentamiento del accesorio	7-8	Cocción	3-4
	Sofritos	Calentamiento del accesorio	7-8	Dorar el sofrito	7-8
Carnes	Asar	Dorar carne con aceite (si con mantequilla, potencia 6)	7-8	Cocción	3-4
	Al ferri	Precalentamiento de la olla	7-8	Grillar ambos lados	7-8
	Dorado	Dorar con aceite (si con mantequilla, potencia 6)	7-8	Cocción	4-5
	Húmedo/estofado	Dorar con aceite (si con mantequilla, potencia 6)	7-8	Cocción	3-4
Pescados	Al ferri	Precalentamiento de la olla	7-8	Cocción	7-8
	Húmedo/estofado	Dorar con aceite (si con mantequilla, potencia 6)	7-8	Cocción	3-4
	Frito	Calentamiento del aceite o materia grasa	8-9	Frito	7-8
Huevos	Fritos	Calentamiento de la sartén con mantequilla o materia grasa	6	Cocción	6-7
	Omelet	Calentamiento de la sartén con mantequilla o materia grasa	6	Cocción	5-6
	Hervido	Calentamiento del agua	Booster-9	Cocción	5-6
	Pancake	Calentamiento de la sartén con mantequilla	6	Cocción	6-7
Salsas	Tomate	Dorar con aceite (si con mantequilla, potencia 6)	6-7	Cocción	3-4
	Ragù	Dorar con aceite (si con mantequilla, potencia 6)	6-7	Cocción	3-4
	Besciamela	Preparación de la base (derretir mantequilla y harina)	5-6	Llevar a ebullición ligera	3-4
Dulces, cremas	Crema pastelería	Llevar la leche a ebullición	4-5	Mantener ligera ebullición	4-5
	Pudines	Llevar la leche a ebullición	4-5	Mantener ligera ebullición	2-3
	Arroz con leche	Calentar leche	5-6	Mantener ligera ebullición	2-3

Instrucciones para el servicio de venta y de postventa y mantenimiento

¡Cuidado! Antes de realizar cualquier operación de limpieza o mantenimiento, asegúrese de que las zonas de cocción estén apagadas y que el indicador de calor esté apagado.

Limpieza

La placa de cocción debe limpiarse después de cada uso.

Importante:

No utilice esponjas abrasivas ni estropajos. Su empleo, a lo largo del tiempo, puede dañar el vidrio.

No utilice detergentes químicos irritantes, tales como spray para horno o quitamanchas.

Después de cada uso, deje enfriar la placa y límpiela para eliminar los residuos y las manchas causadas por los residuos de alimentos.

El azúcar o alimentos con un alto contenido de azúcar dañan la placa de cocción y deben eliminarse inmediatamente.

La sal, el azúcar y la arena pueden rayar la superficie del vidrio.

Utilice un paño suave, rollos de papel absorbente para cocina o productos específicos para limpiar la placa (siga las instrucciones del fabricante).

¡¡NO UTILICE LIMPIADORAS A VAPOR !!!

Solución de daños

CODIGO DEL ERROR	DESCRIPCIÓN	POSIBLES CAUSAS	REMOCIÓN ERROR
ER03 – la placa de cocción se apaga después de 10 segundos y emite un señal acústica permanente	Presión permanente en la zona controles	Agua o utensilios de cocina sobre la zona controles	Limpiar la zona de controles
ER40	el voltaje de la red está causando un sobrecalentamiento	El voltaje secundario de la red es demasiado bajo	Desconectar la placa de la red y verificar la conexión
ER47	La comunicación con la red eléctrica es defectuosa (el panel de controles se desactiva- las zonas de cocción no responden más)	El cable de alimentación no ha sido conectado correctamente o es defectuoso	Desconectar la placa de la red y verificar la conexión
U400	La conexión de la placa no es del voltaje correcto (conexión incorrecta/ sobrecarga)	Se detecta un voltaje diferente a aquel de la conexión	Desconectar la placa de la red y verificar la conexión
ER21 - E/2	La zona controles se apaga debido a temperatura demasiado elevada	La temperatura interna de las partes electrónicas es demasiado alta	Esperar a que la placa se enfríe antes de utilizarla de nuevo
ER20,ER22,ER31,ER36 E/4, E/5, E/6,E/8,E/9 E/A	Llamar al servicio de asistencia técnica y comunicar el código del error		

Servicio de asistencia

Antes de ponerse en contacto con el Servicio de Asistencia

1. Asegúrese de que no sea posible solucionar el problema por su cuenta teniendo en cuenta los puntos descritos en "Localización de averías".
2. Apague y vuelva a encender el aparato para asegurarse de que el problema se ha solucionado.

Si tras realizar las verificaciones arriba descritas, el problema persiste, contacte con el Servicio de Asistencia técnica más cercano.

Garantía

ELICA North America **GARANTIA LIMITADA DE DOS AÑOS.**

PARA OBTENER SERVICIO DENTRO DE GARANTIA.

El propietario debe presentar su recibo original de la compra. Guarde por favor una copia de su recibo de compra como prueba, para recibir el servicio dentro del periodo de garantía.

PARTES Y GARANTIA DE SERVICIO.

Por el periodo de (2) dos años desde la fecha original de la compra, Elica proveerá, gratuitamente, partes no-consumibles o componentes que hayan fallado debido a defectos de fabricación. Durante estos (2) años de garantía limitada, Elica también proveerá gratuitamente, todo el servicio en casa y mano de obra necesaria para reemplazar cualquier parte defectuosa.

QUE NO ESTA CUBIERTO

- Daños o fallas del producto causados por accidente o actos de Dios, tales como inundaciones incendios o terremotos.
- Daños o fallas causadas por alteración del producto o por el uso de partes no-originales.
- Daños o fallas del producto causados durante la entrega, manejo o instalación.
- Daños o fallas del producto causados por abuso del usuario.
- Daños o fallas del producto causados por reemplazo de fusibles dañados o reseteo de interruptor de circuito.
- Daño o fallas causados por el uso del producto en un ambiente comercial (no doméstico).
- Viajes de servicio debidos a dudas sobre el uso o instalación del producto.
- Bombillas, filtros de carbón o metal y cualquier otra parte consumible.
- Desgaste normal.
- Desgaste terminal debido a abusos del usuario, mantenimiento inadecuado, uso de productos / toallas de limpieza corrosivos o abrasivos y por uso de limpiadores para hornos.

QUIEN ESTA CUBIERTO

Esta garantía se extiende al comprador original de productos adquiridos para uso residencial en Norte América (incluyendo Estados Unidos, Guam, Puerto Rico, Islas Vírgenes de USA y Canadá).

Esta garantía no es transferible y aplica solamente al comprador original y no se extiende a propietarios subsecuentes del producto.

Esta garantía se expresa en lugar de otras garantías, expresadas o implícadas, incluyendo, pero no limitada a ninguna garantía implícada de comercialización o adaptada para propósitos particulares y cualquier otra obligación por parte de Elica North America, considerando, sin embargo, que si la negación de garantías implícitas es inefectiva bajo la ley aplicable, la duración de cualquier garantía implícita será limitada a dos (2) años desde la fecha original de compra o por el periodo necesario como sea requerido por la ley aplicable.

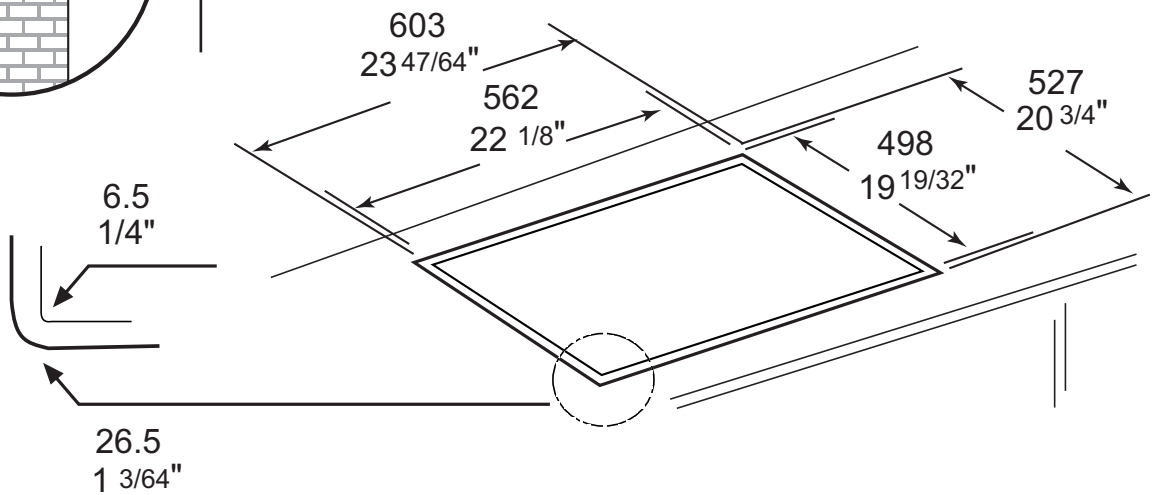
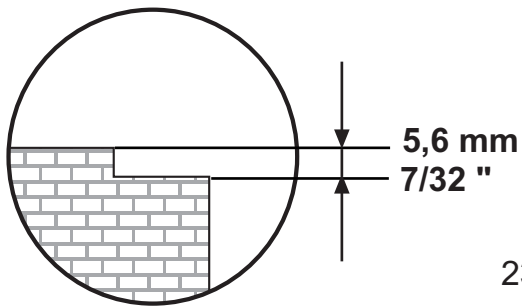
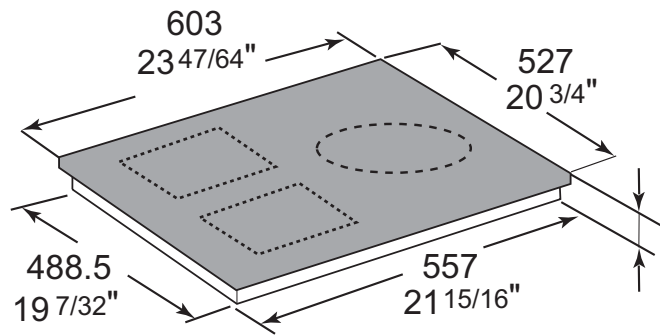
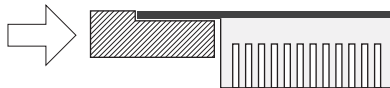
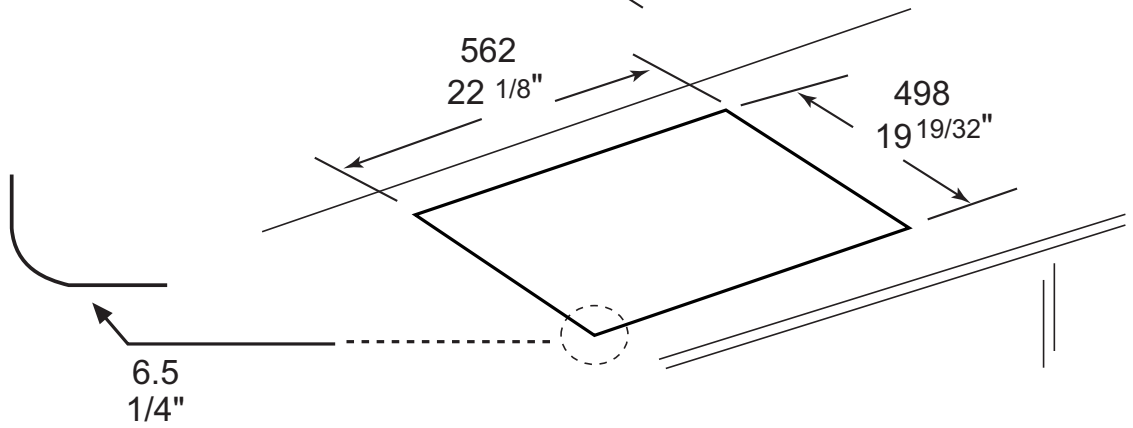
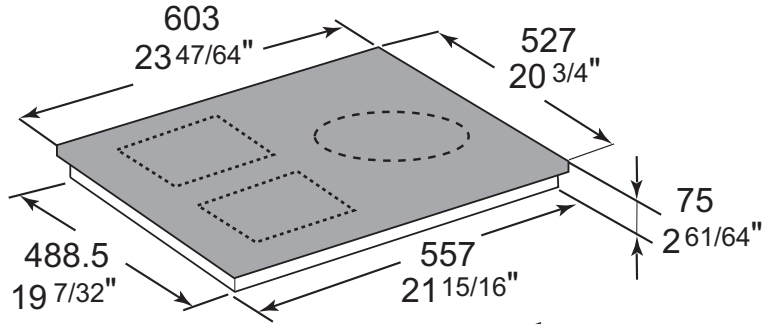
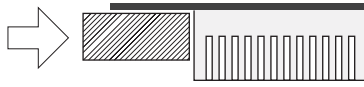
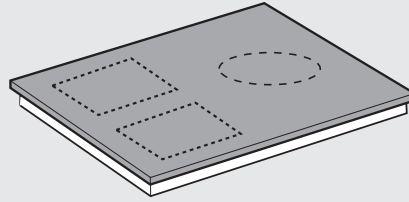
Esta garantía no cubre cualquier daño especial, incidental y/o consecuente, ni pérdidas de ganancias, sufridas por el comprador original, sus clientes y/o usuarios del producto.

A QUIEN CONTACTAR

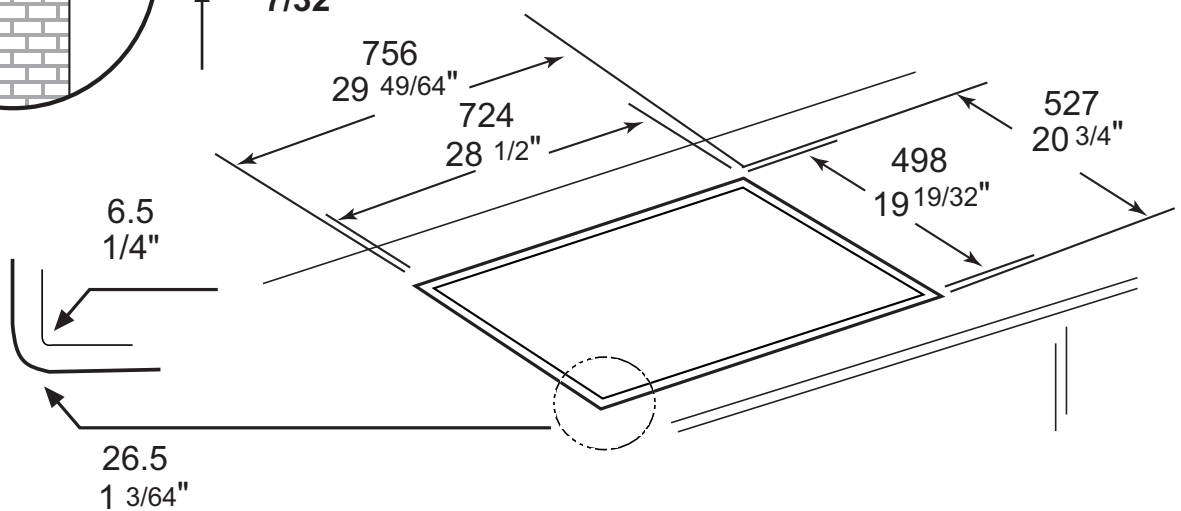
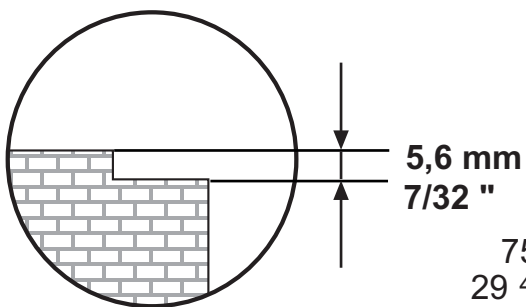
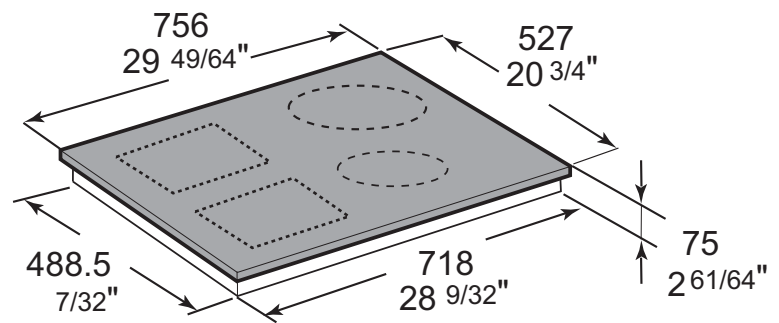
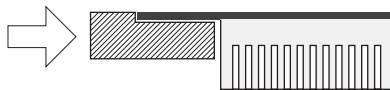
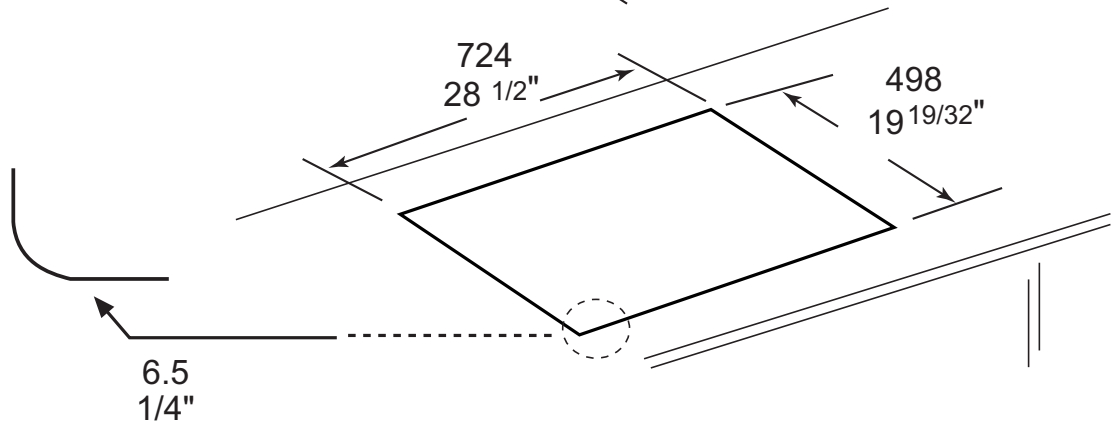
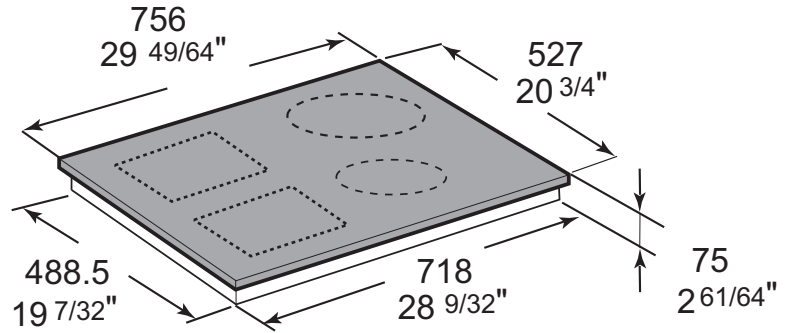
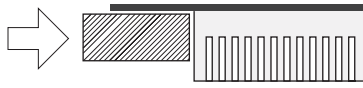
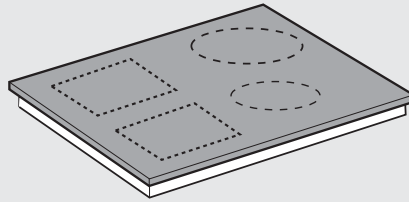
Para obtener servicio bajo garantía o para cualquier pregunta relacionada a servicio.

- Servicio Autorizado de Elica North America - (714) 428-0046
- elica@servicepower.com

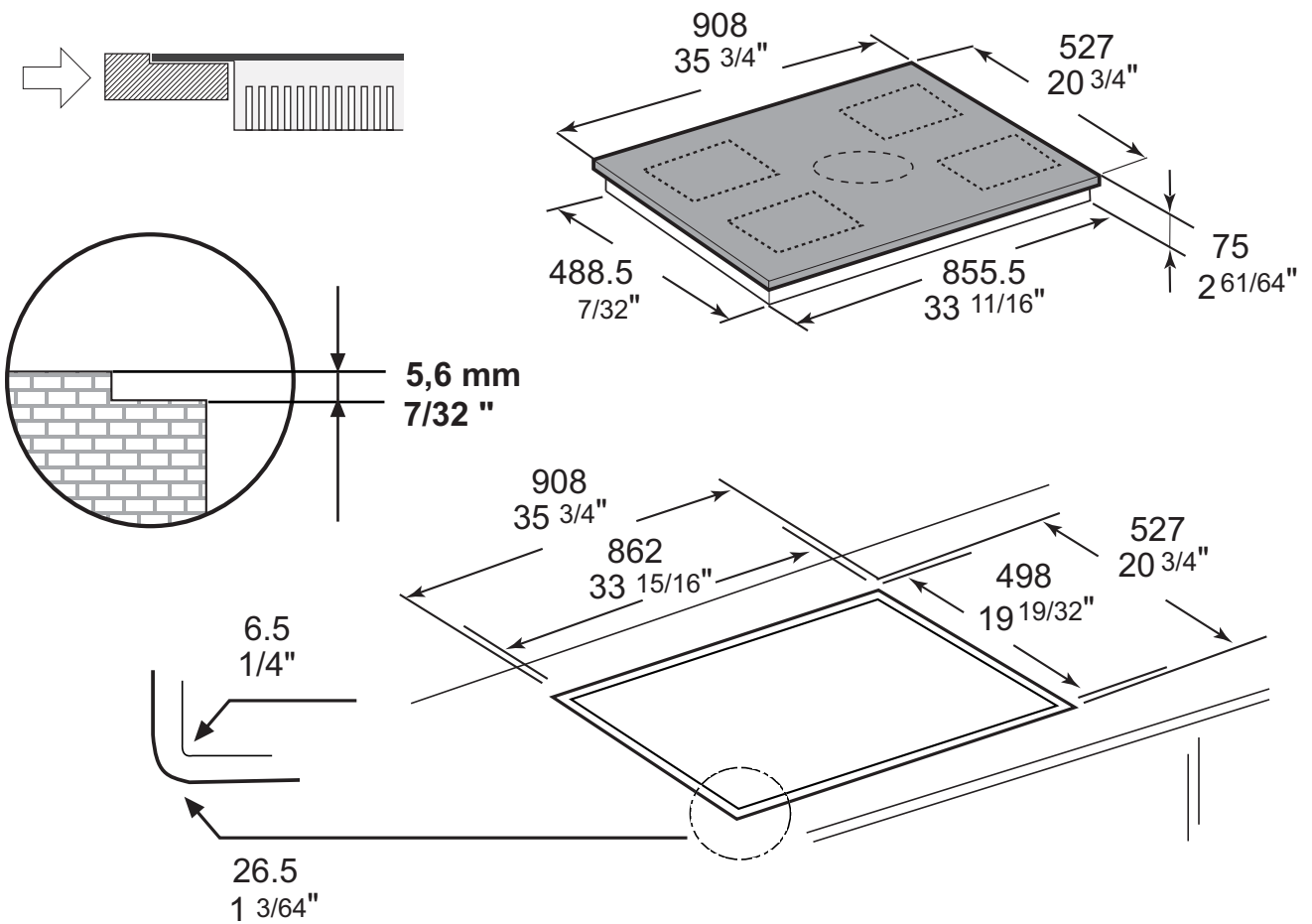
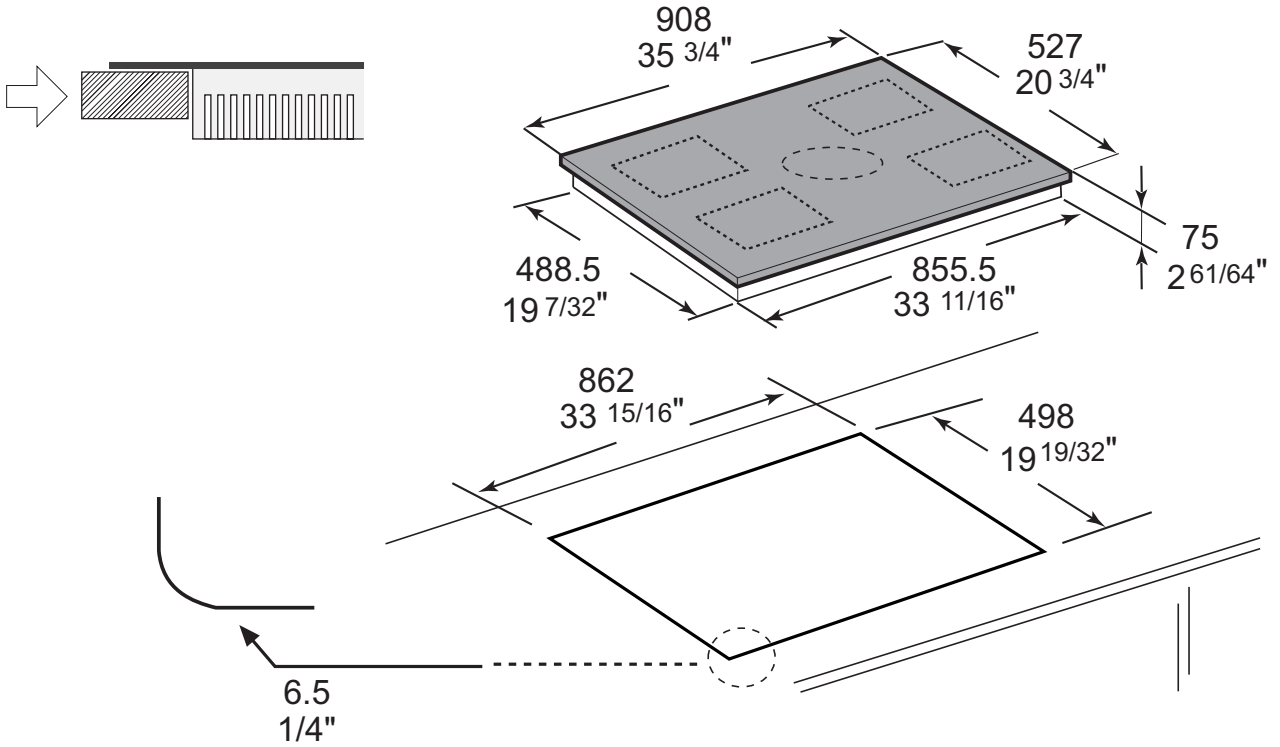
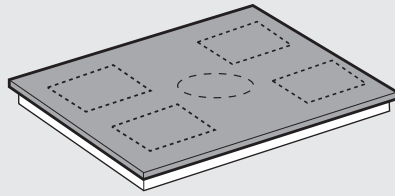
24"



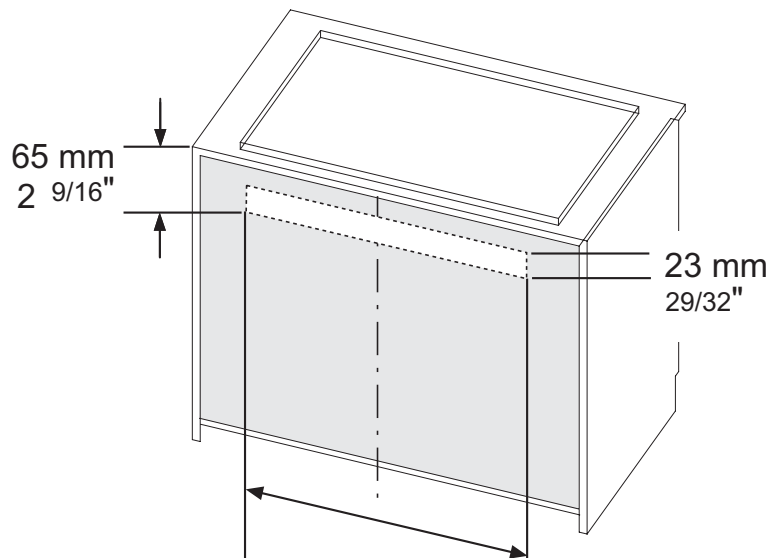
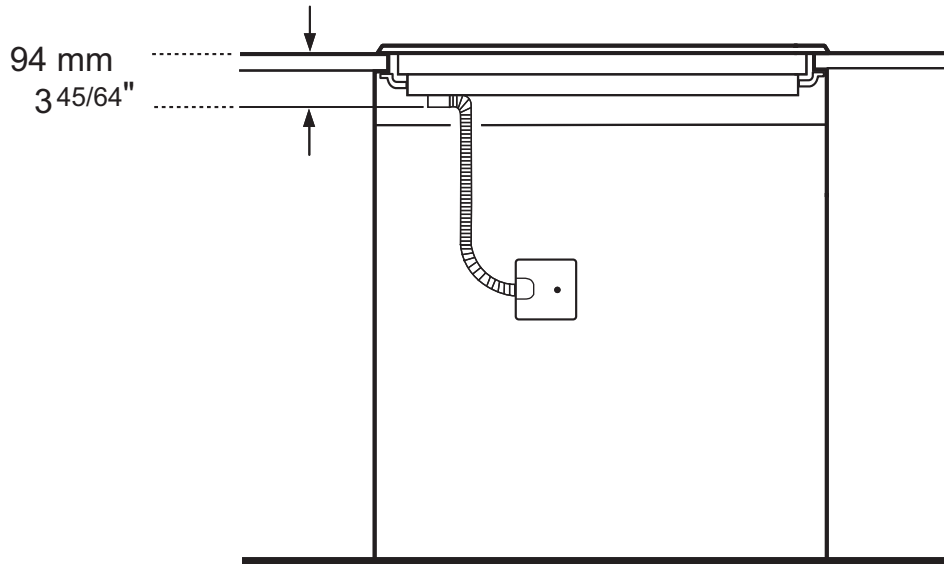
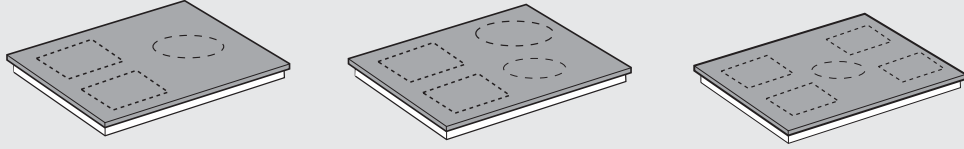
30 "



36"



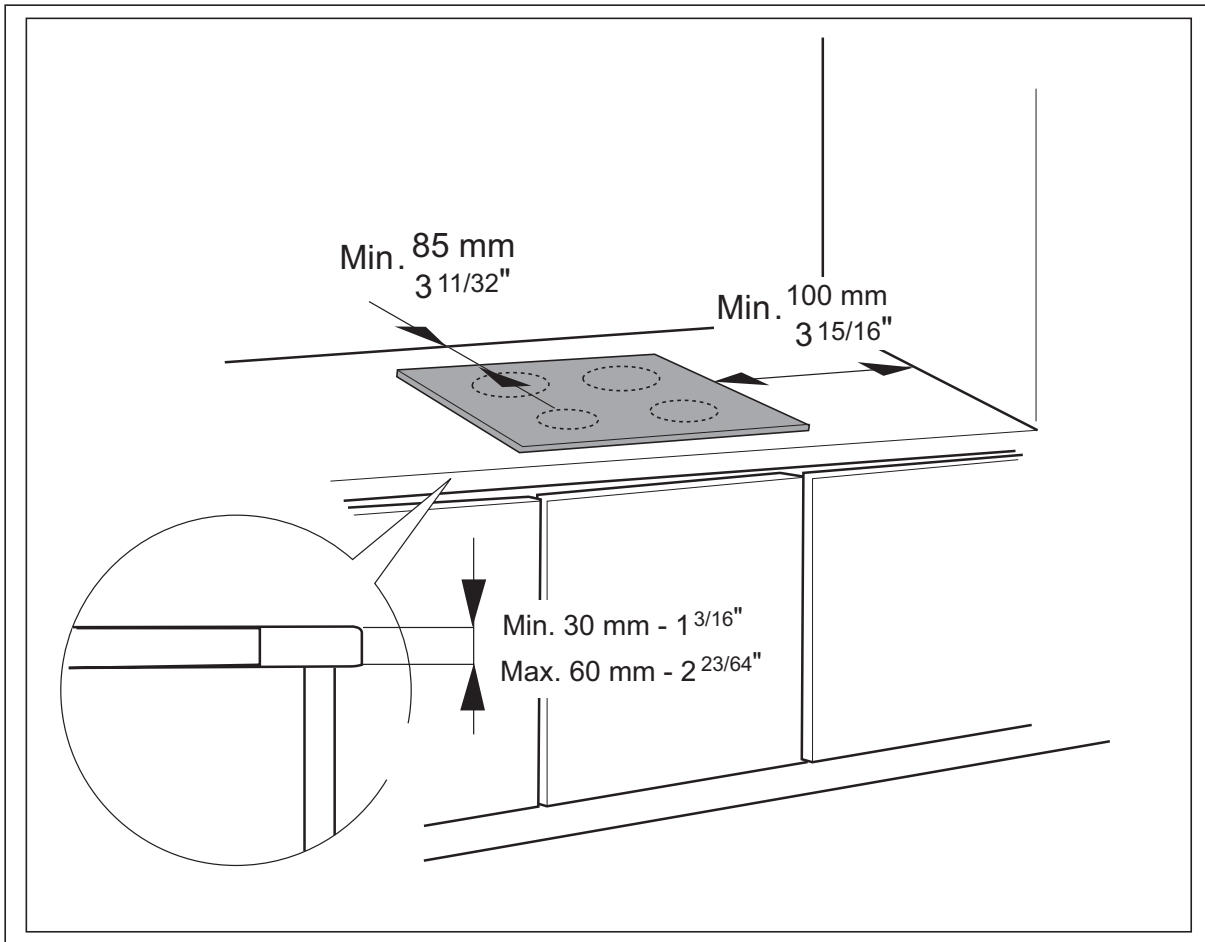
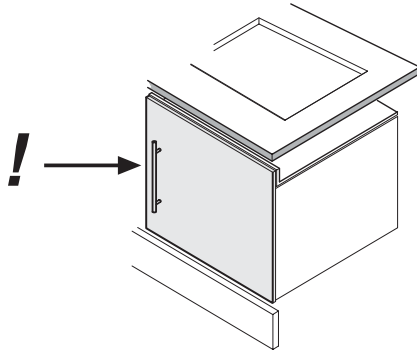
24"
30"
36"

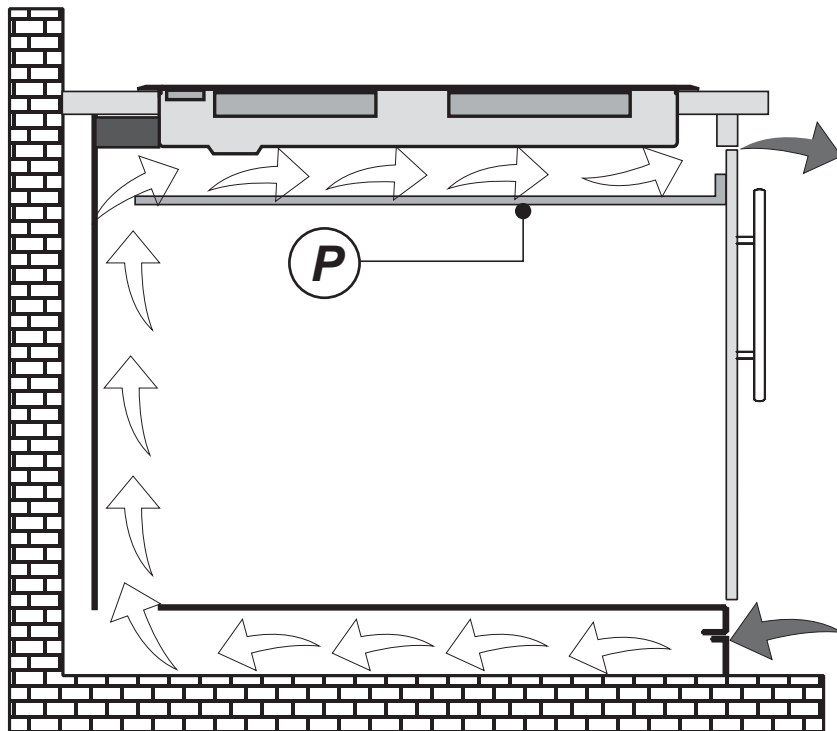
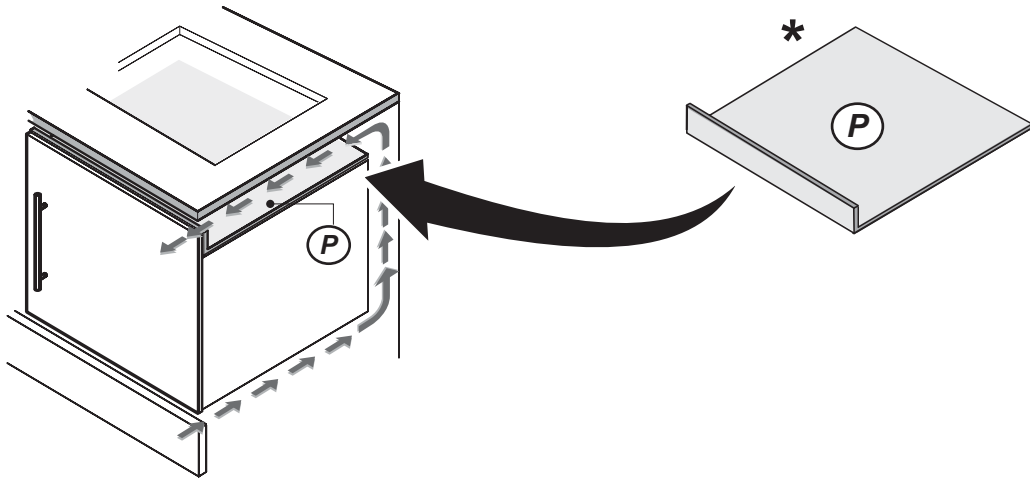


24" 520 mm
20 27/32"

30" 520 mm
20 27/32"

36" 800 mm
20 27/32"

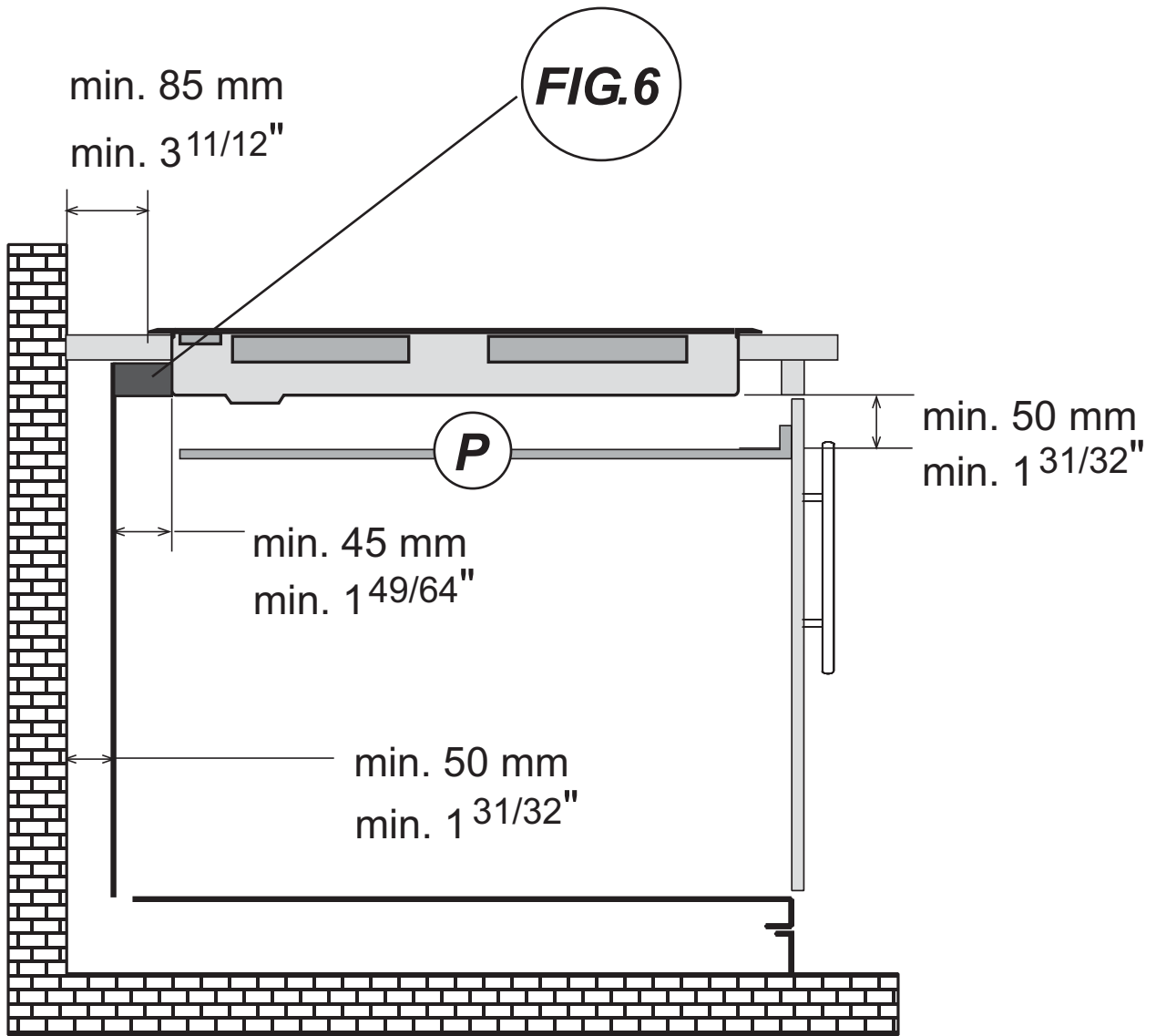




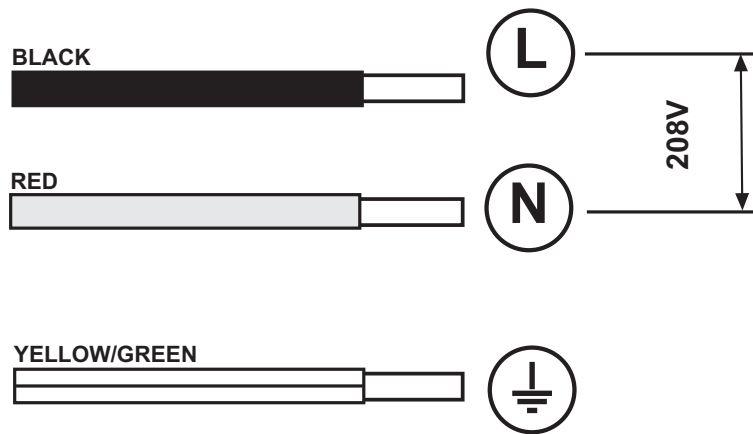
min. 4 mm
min. 5/32"

610
762 x 13 mm
915

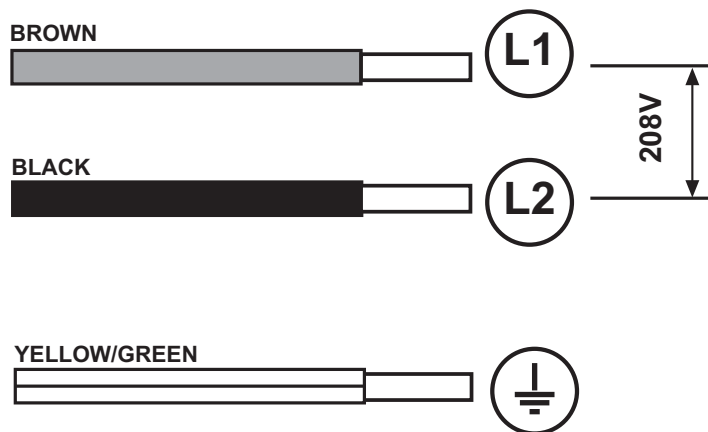
24"
30" x 1/2"
36"

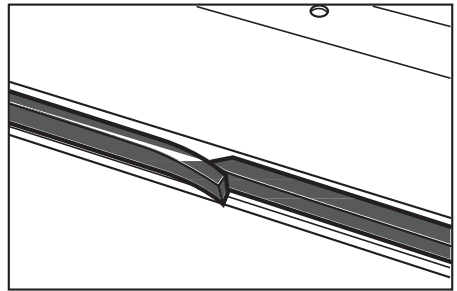
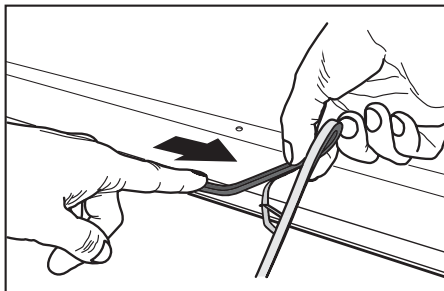
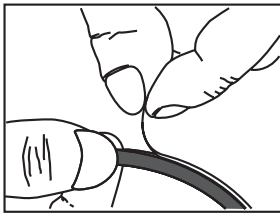
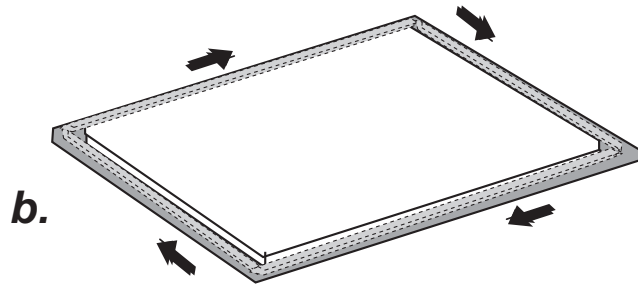
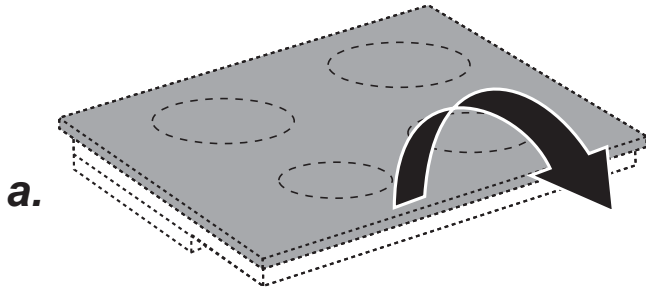
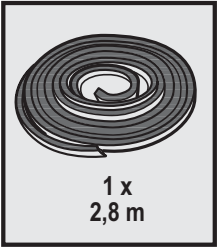


**208V ~
60Hz**

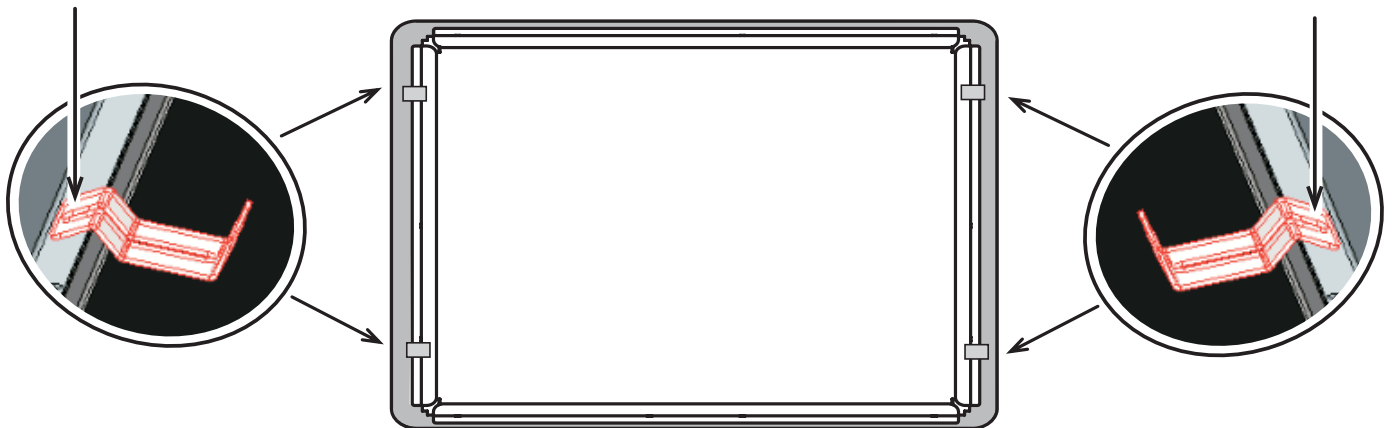
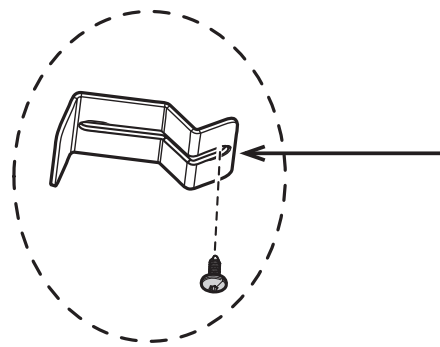
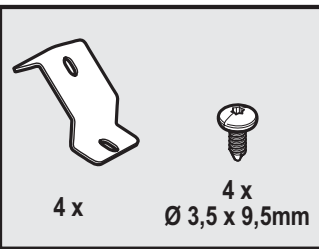
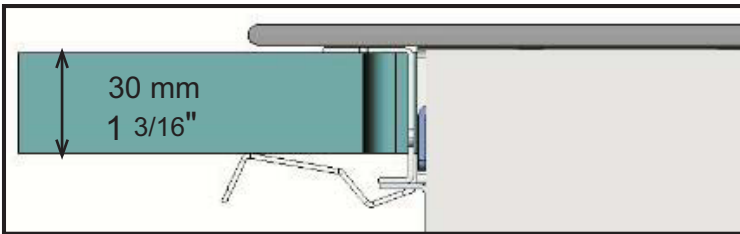
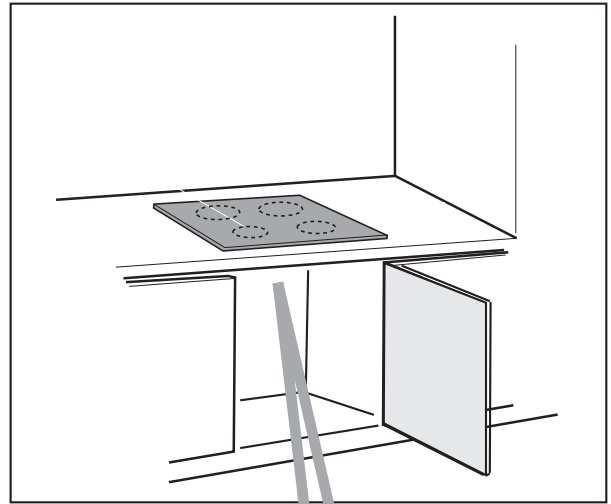
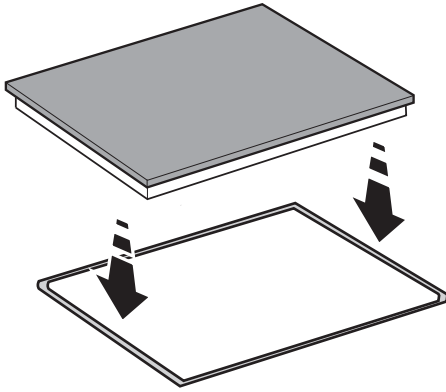


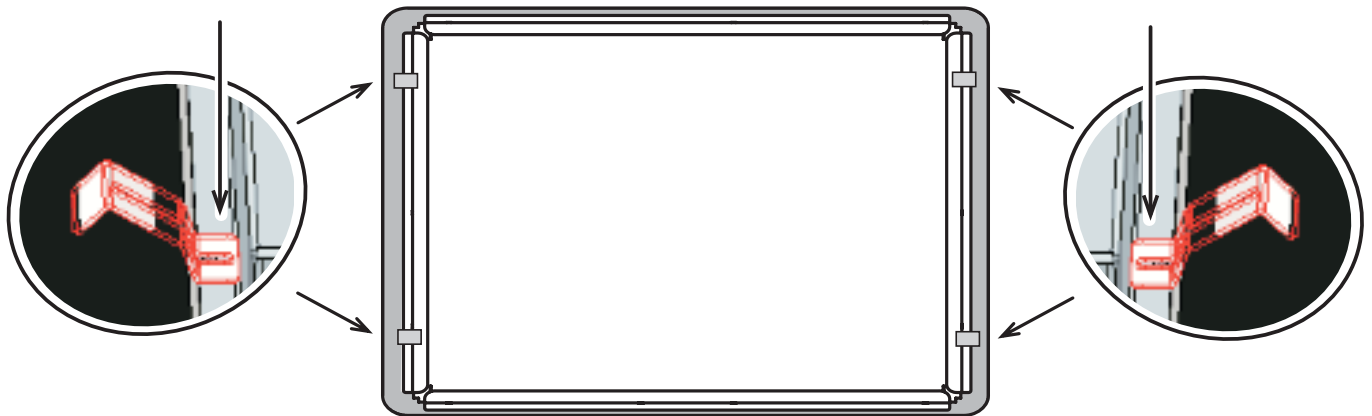
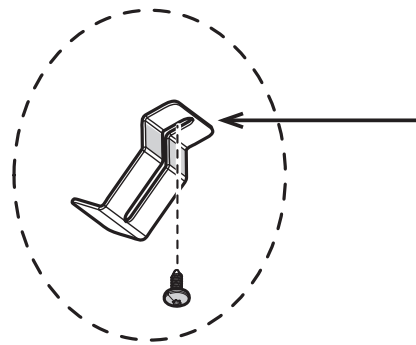
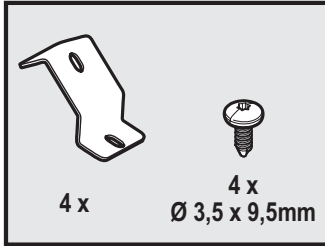
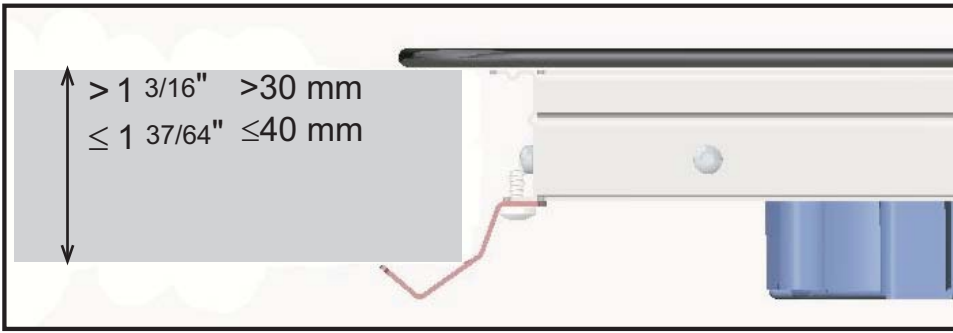
**240V
60Hz**

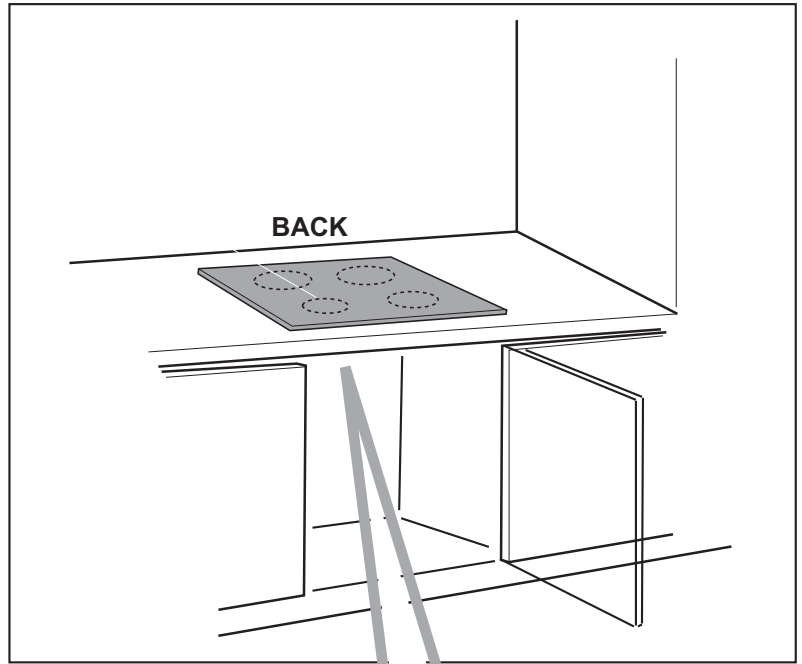
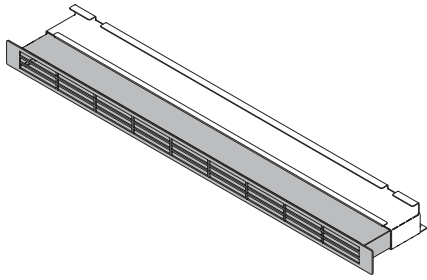




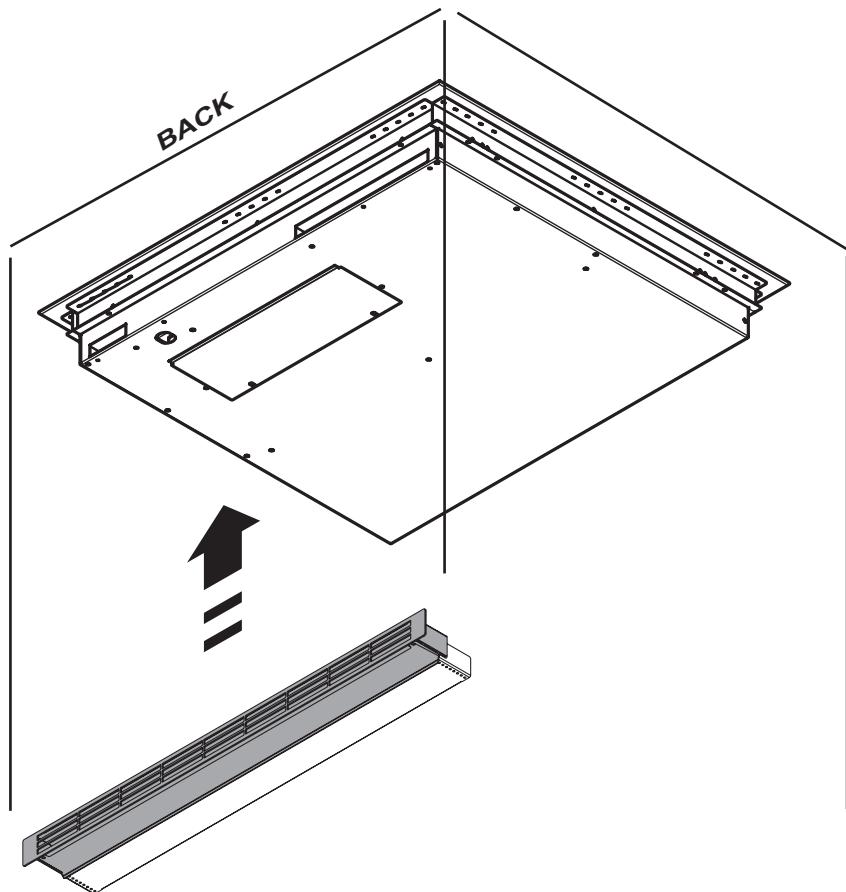
4



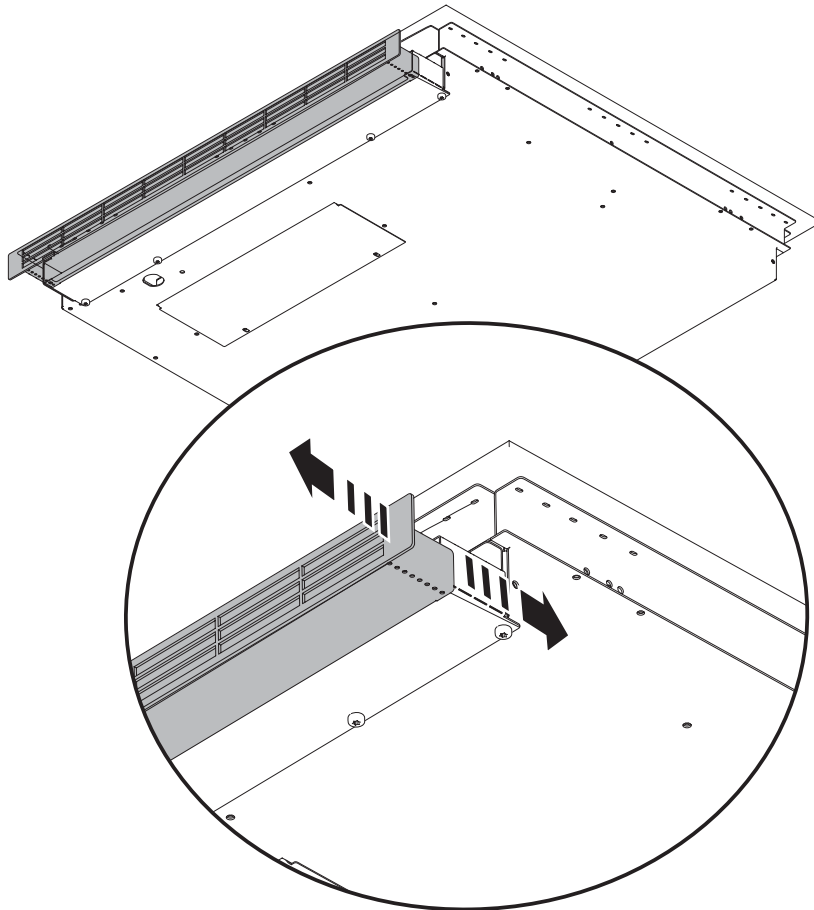
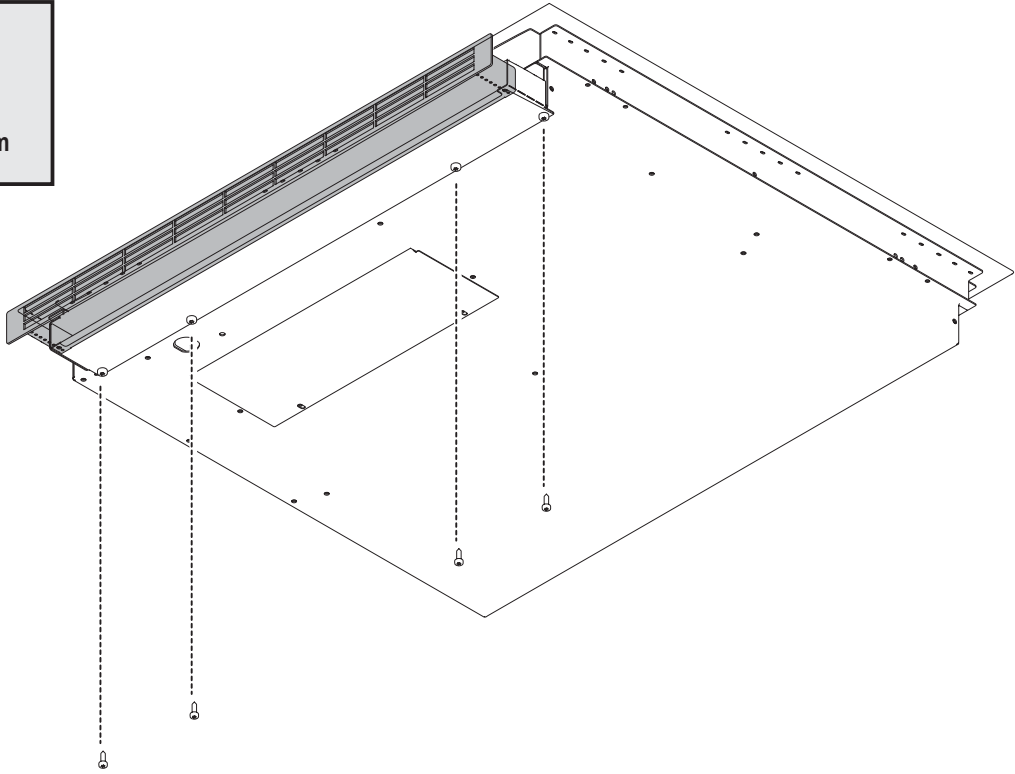
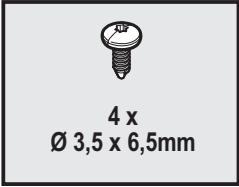




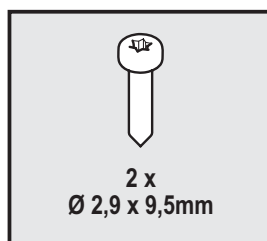
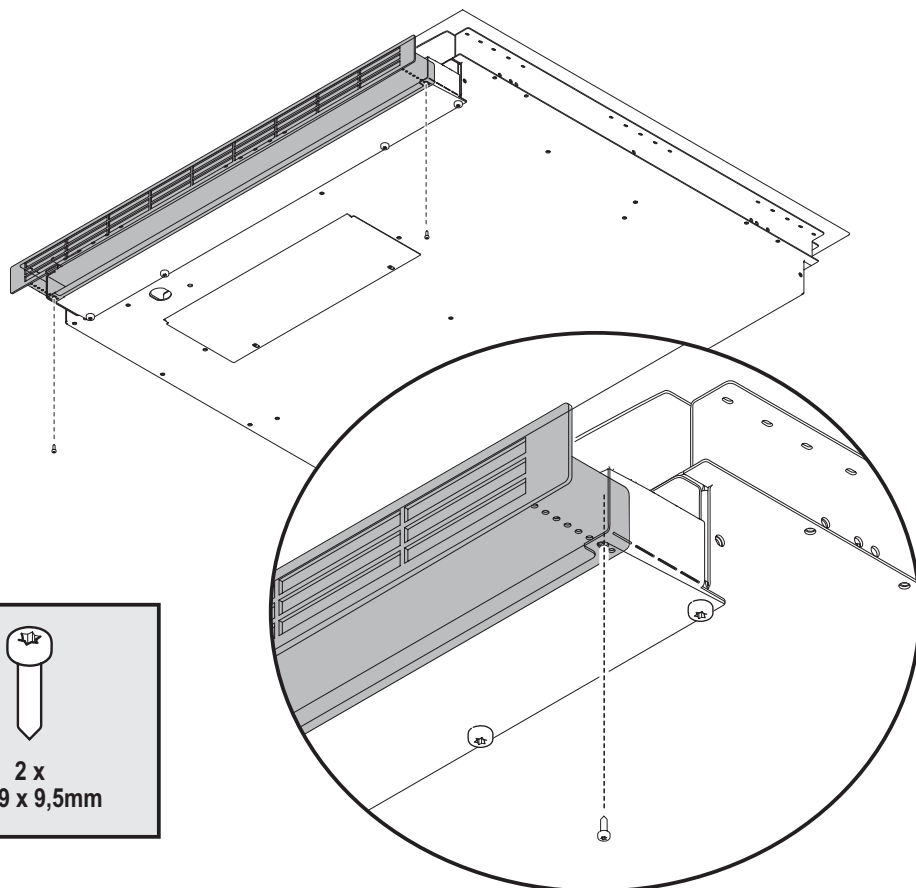
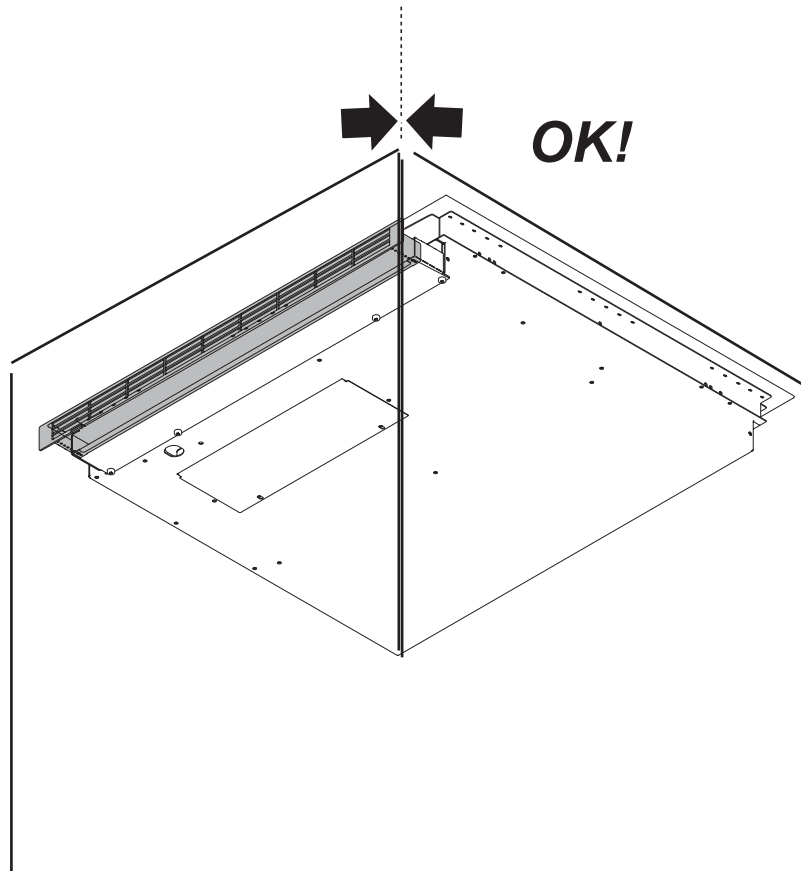
6



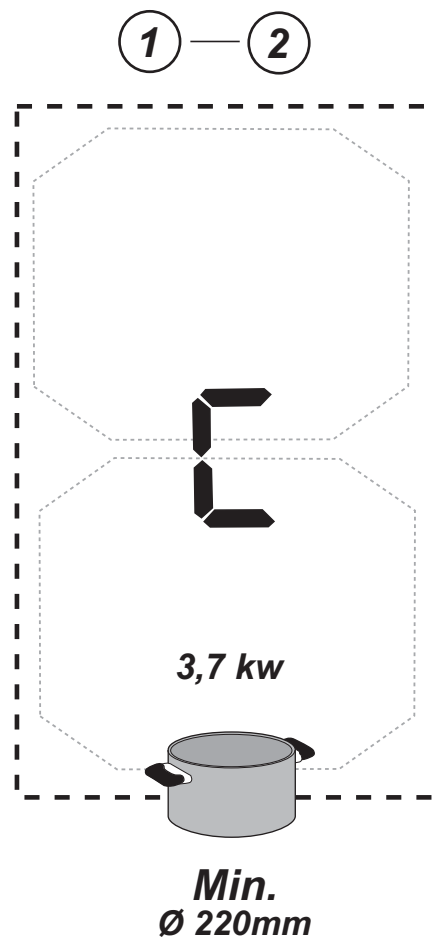
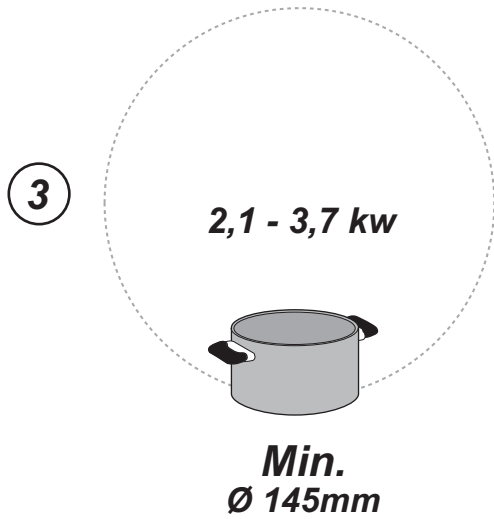
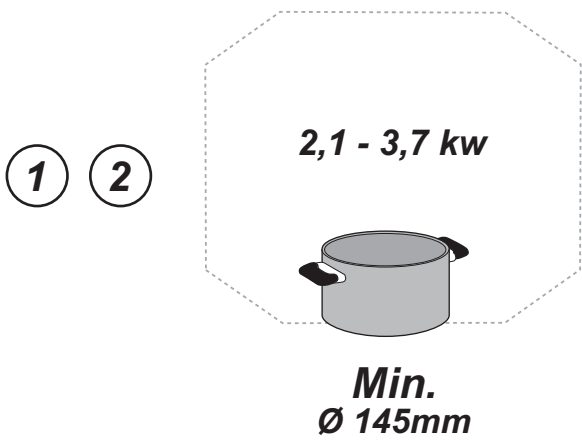
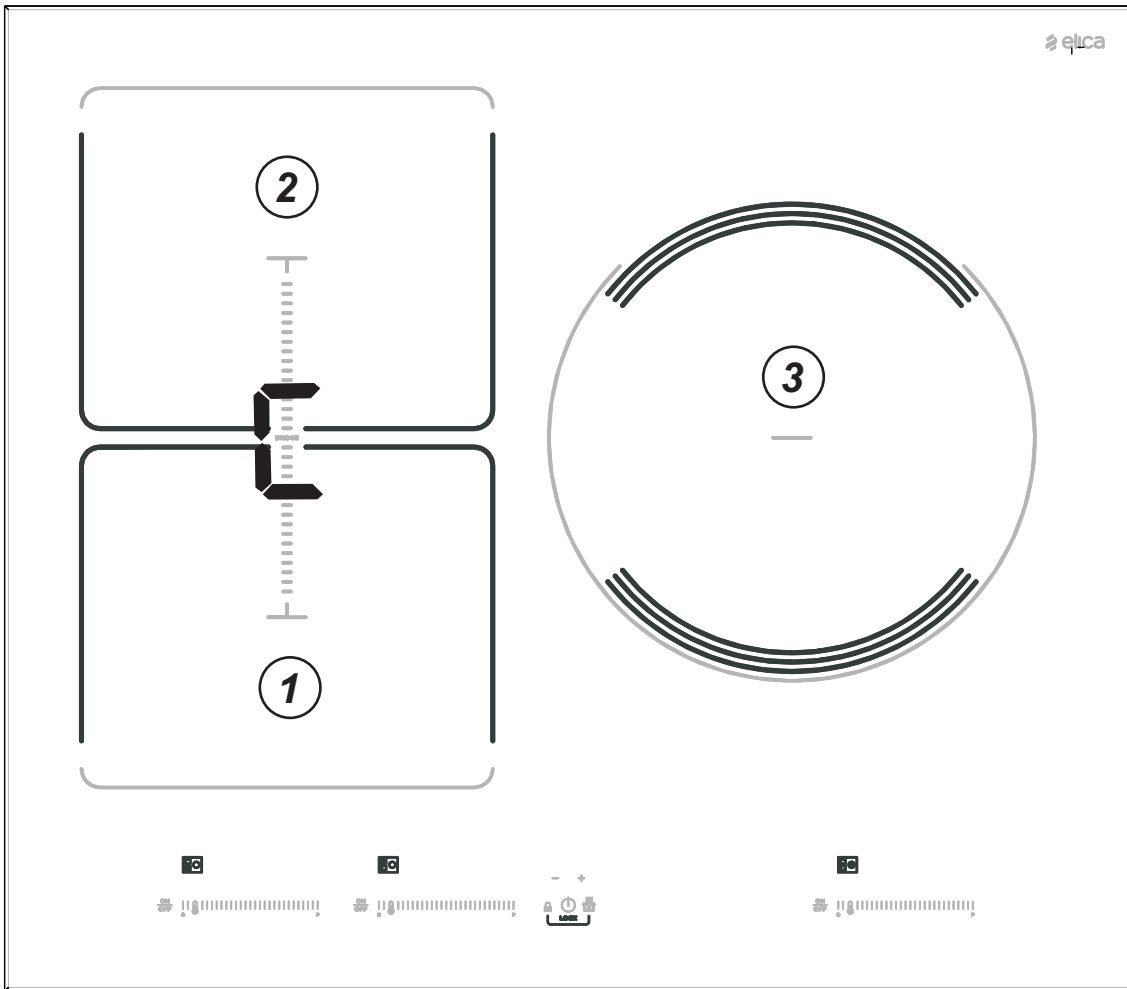
6a



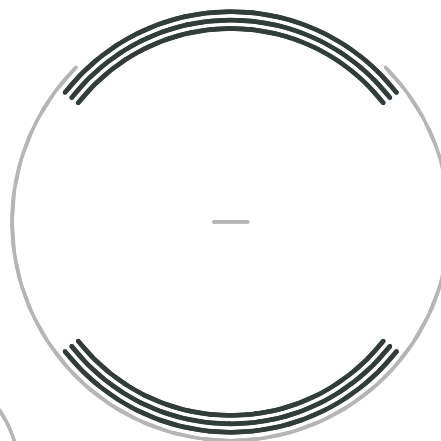
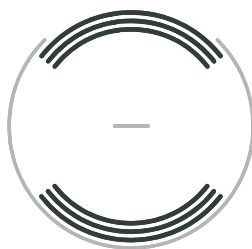
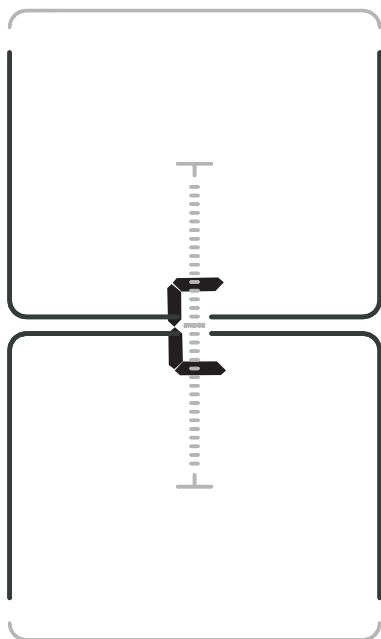
6b



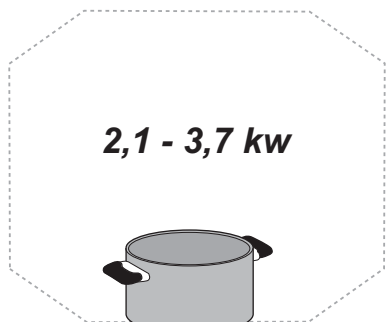
6c



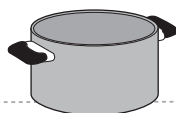
7a



1 2

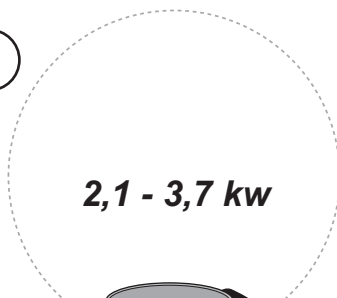


2,1 - 3,7 kw

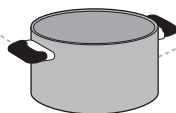


Min.
Ø 145mm

4

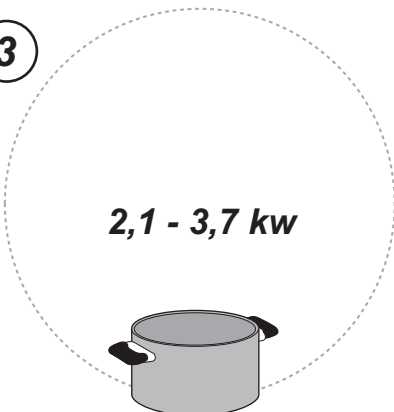


2,1 - 3,7 kw

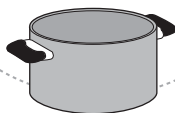


Min.
Ø 145mm

3

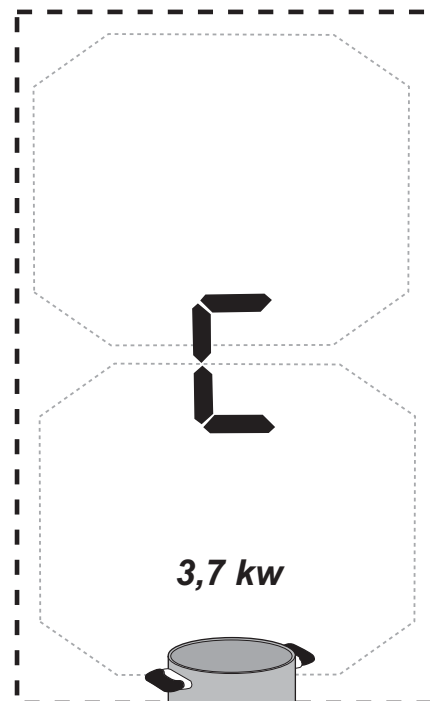


2,1 - 3,7 kw



Min.
Ø 145mm

1 — 2

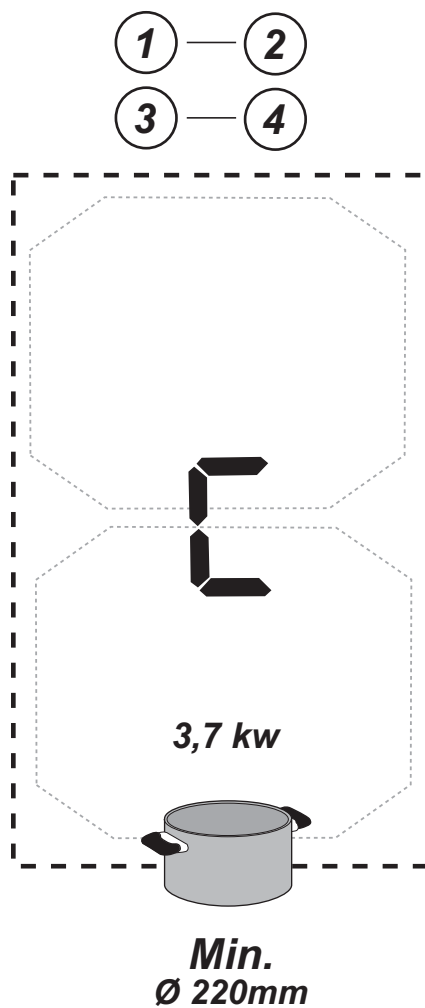
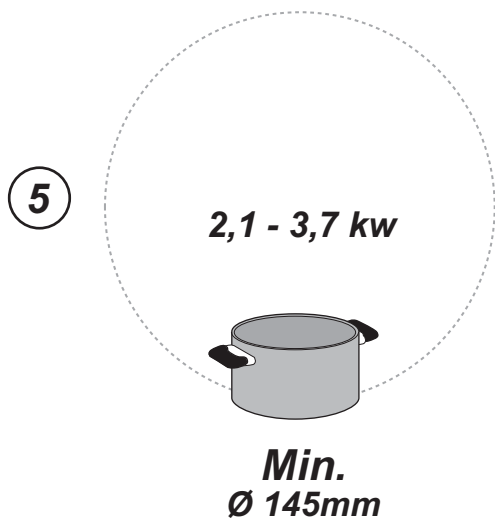
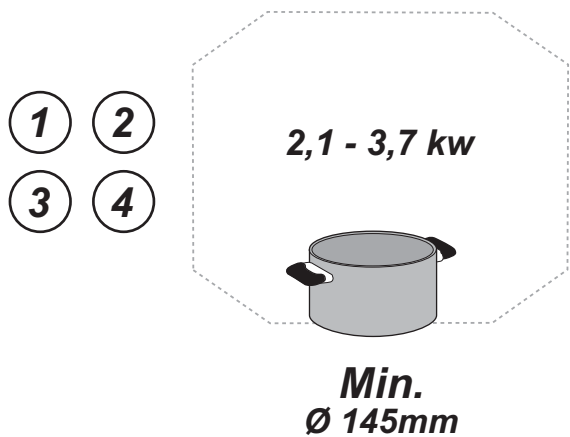
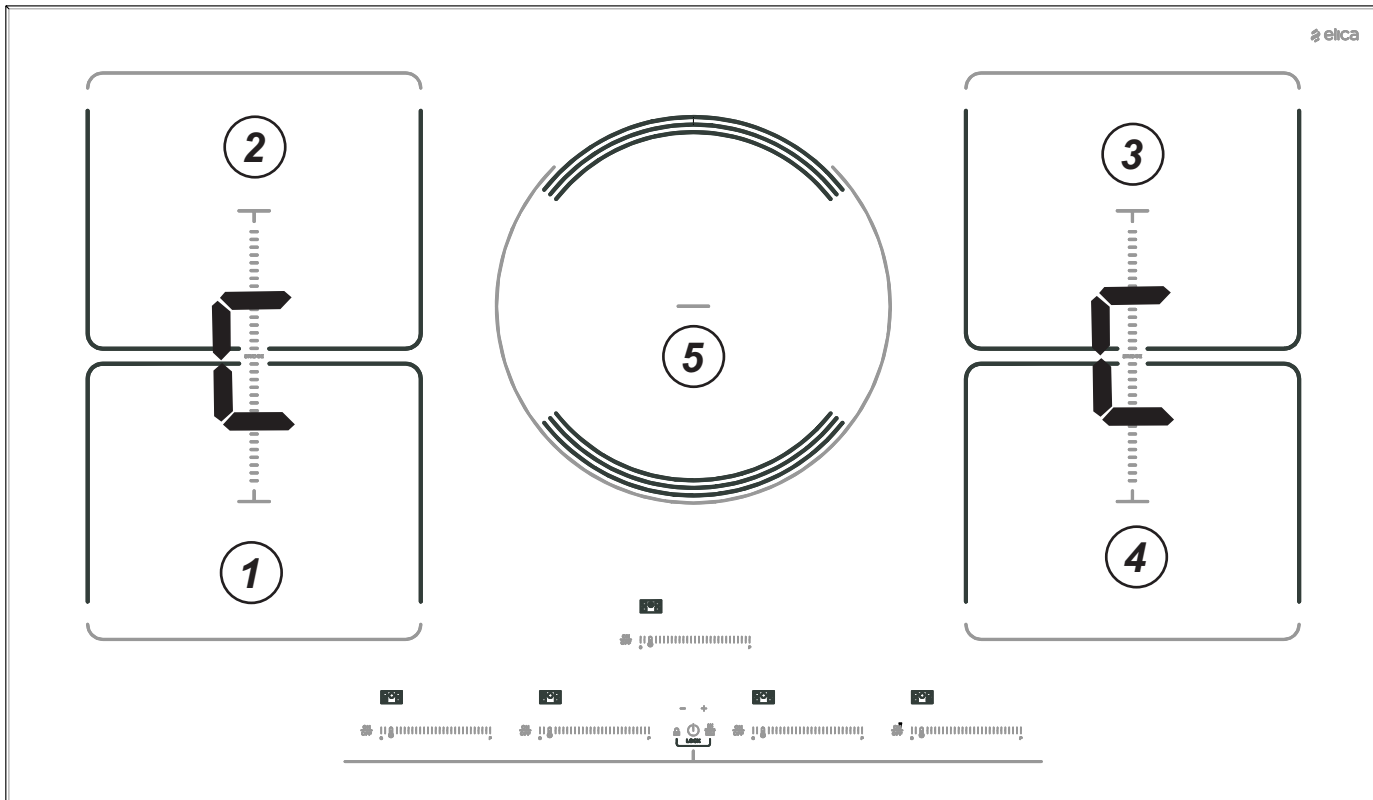


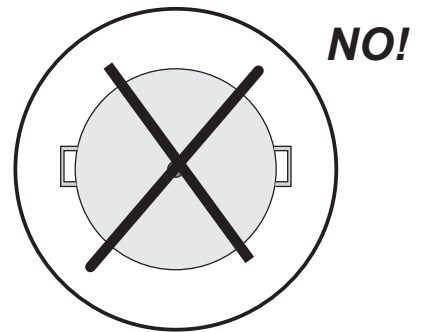
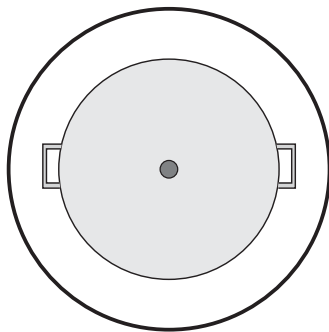
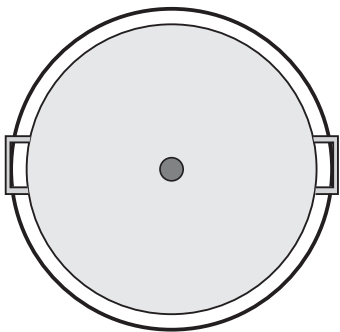
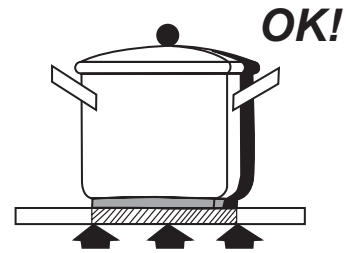
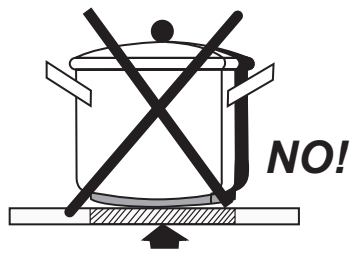
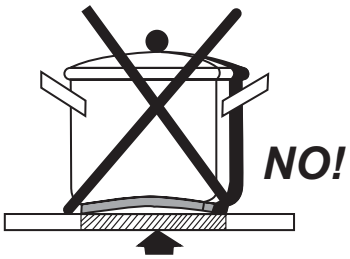
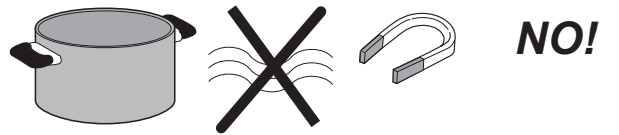
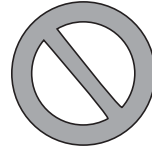
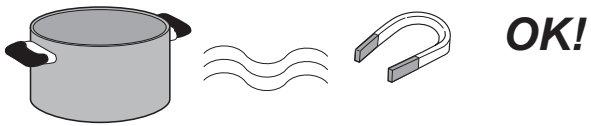
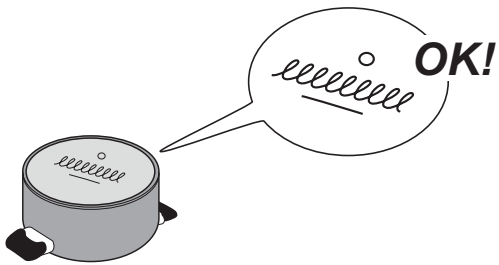
3,7 kw



Min.
Ø 220mm

7b





- 40 %

