

DEKOR GLASS

WALL-MOUNTED



$h \uparrow \geq 24"$ $h \uparrow \geq 30"$

ARIETTA



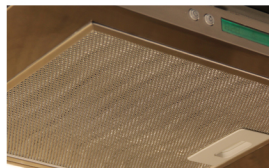
The Dekor Glass combines curved glass and stainless steel to create a light and airy environment, which is perfect for any contemporary kitchen. Comes equipped with a powerful 400 CFM blower that can support the cooking demands of most kitchens. High-tech LCD controls, manage multiple functions, including incandescent lighting, 3 speed blower, automatically turns on under high heat and even has a sensor that tells you when to clean your dishwasher-safe anodized aluminum mesh filters.



Incandescent Lamp



Touch Controls



Anodized Aluminum Filter

MODELS

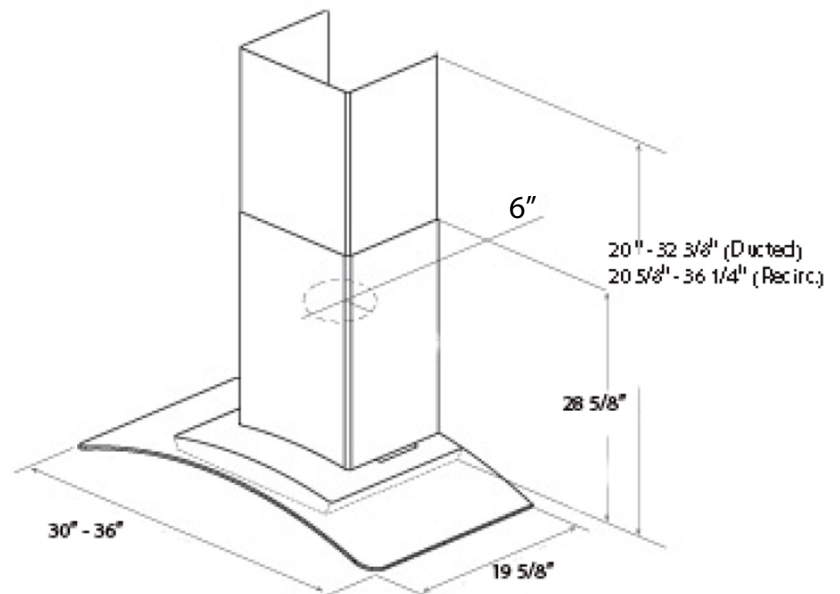
DEKORGLASS30 Dekor Glass 30" Stainless
DEKORGLASS36 Dekor Glass 36" Stainless

DIMENSIONS

(30"W x 19 5/8"D x 1 5/16"H)
(36"W x 19 5/8"D x 1 5/16"H)

FEATURES

Size (in) & Type Finish	30" or 36" Wide, Wall-Mounted, Chimney Hood Stainless Steel + Glass
Controls	Touch Controls with LCD Display
Illumination	1, 40W Incandescent Lamp (Bulb Included)
Installation Type	Ducted or Recirculating Installation Recirculating Kit Sold Separately
Blower Type	400 CFM, 3-Speed Internal
Blower Performance	Speed 1, 160 CFM, 1.5 Sones Speed 2, 280 CFM, 3.1 Sones Speed 3, 400 CFM, 5.9 Sones
Filter Type	1, Dishwasher-Safe, Anodized Aluminum Mesh
Telescopic Chimney Extension	For heights 6'9" to 8'5" (Ducted)
Duct Transition	6" Round
Electrical	120V - 60 Hz 300 Watt at 2.5 Amps



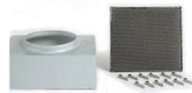
ACCESSORIES



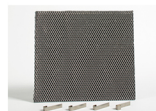
Optional
Chimney Extension
Kit
CODE: KIT01609/1
MODEL: KIT01609/1



Optional
No Return Valve
CODE: KIT01657/1
MODEL: KIT01657/1



Optional
Recirculating Kit for
30" and 36" unit
CODE: KIT01610/1
MODEL: KIT01610/1



Optional
Replacement
Charcoal Filter Kit
CODE: KIT01658
MODEL: KIT01658



Optional
Replacement
Grease Filter Kit
CODE: KIT01668
MODEL: KIT01668