

## **CHLOE'**

Installation Instructions  
Use and Care Information

Instructions d'installation  
Utilisez et d'entretien

Instrucciones de instalación  
Información de uso y cuidado

**CHLO28GR600**  
**CHLO28BK600**  
**CHLO36BK600**

# READ AND SAVE THESE INSTRUCTIONS BEFORE YOU START INSTALLING THIS RANGEHOOD

## **WARNING: - TO REDUCE THE RISK OF A RANGE TOP GREASE FIRE:**

- a) Never leave surface units unattended at high settings. Boilovers cause smoking and greasy spillovers that may ignite. Heat oils slowly on low or medium setting.
- b) Always turn hood ON when cooking at high heat or when flambeing food (i.e. Crepes Suzette, Cherries Jubilee, Peppercorn Beef Flambé).
- c) Clean ventilating fans frequently. Grease should not be allowed to accumulate on fan or filter.
- d) Use proper pan size. Always use cookware appropriate for the size of the surface element.

## **WARNING: - TO REDUCE THE RISK OF INJURY TO PERSONS IN THE EVENT OF A RANGE TOP GREASE FIRE, OBSERVE THE FOLLOWING\*:**

- a) **SMOTHER FLAMES** with a close-fitting lid, cookie sheet, or metal tray, then turn off the burner. **BE CAREFUL TO PREVENT BURNS.** If the flames do not go out immediately **EVACUATE AND CALL THE FIRE DEPARTMENT.**
- b) **NEVER PICK UP A FLAMING PAN** - You may be burned.
- c) **DO NOT USE WATER**, including wet dishcloths or towels - a violent steam explosion will result.
- d) Use an extinguisher **ONLY** if:
  - 1. You know you have a Class ABC extinguisher, and you already know how to operate it.
  - 2. The fire is small and contained in the area where it started.
  - 3. The fire department is being called.
  - 4. You can fight the fire with your back to an exit.

\* Based on "Kitchen Firesafety Tips" published by NFPA

## **WARNING - TO REDUCE THE RISK OF FIRE OR ELECTRIC SHOCK, do not use this fan with any solid-state speed control device.**

## **WARNING - TO REDUCE THE RISK OF FIRE, ELECTRICAL SHOCK, OR INJURY TO PERSONS, OBSERVE THE FOLLOWING:**

- 1. Use this unit only in the manner intended by the manufacturer. If you have any questions, contact the manufacturer.
- 2. Before servicing or cleaning unit, switch power off at service panel and lock the service disconnecting means to prevent power from being switched on accidentally. When the service disconnecting means cannot be locked, securely fasten a prominent warning device, such as a tag, to the service panel.

## **CAUTION: For General Ventilating Use Only. Do Not Use To Exhaust Hazardous or Explosive Materials and Vapors.**

## **WARNING - TO REDUCE THE RISK OF FIRE, ELECTRICAL SHOCK, OR INJURY TO PERSONS, OBSERVE THE FOLLOWING:**

- 1. Installation Work And Electrical Wiring Must Be Done By Qualified Person(s) In Accordance With All Applicable Codes And Standards, Including Fire-Rated Construction.
- 2. Sufficient air is needed for proper combustion and exhausting of gases through the flue (chimney) of fuel burning equipment to prevent backdrafting. Follow the heating equipment manufacturer's guideline and safety standards such as those published by the National Fire Protection Association (NFPA), and the American Society for Heating, Refrigeration and Air Conditioning Engineers (ASHRAE), and the local code authorities.



- 3. When cutting or drilling into wall or ceiling, do not damage electrical wiring and other hidden utilities.**
- 4. Ducted fans must always be vented to the outdoors.**

ALL WALL AND FLOOR OPENINGS WHERE THE RANGEHOOD IS INSTALLED MUST BE SEALED.

**This rangehood requires at least 24" of clearance** between the bottom of the rangehood and the cooking surface or countertop. This hood has been approved by UL at this distance from the cooktop.

This minimum clearance may be higher depending on local building codes. For gas cooktops and combination ranges, a minimum of 30" is recommended and may be required.

Overhead cabinets on both sides of this unit must be a minimum of 18" above the cooking surface or countertop. Consult the cooktop or range installation instructions given by the manufacturer before making any cutouts.

**MOBILE HOME INSTALLATION** The installation of this rangehood must conform to the Manufactured Home Construction and Safety Standards, Title 24 CFR, Part 3280 (formerly Federal Standard for Mobile Home Construction and Safety, Title 24, HUD, Part 280). See Electrical Requirements.

### **VENTING REQUIREMENTS**

Determine which venting method is best for your application. Ductwork can extend either through the wall or the roof.

The length of the ductwork and the number of elbows should be kept to a minimum to provide efficient performance. The size of the ductwork should be uniform. Do not install two elbows together. Use duct tape to seal all joints in the ductwork system. Use caulking to seal exterior wall or floor opening around the cap.

**Flexible ductwork is not recommended. Flexible ductwork creates back pressure and air turbulence that greatly reduces performance.**

Make sure there is proper clearance within the wall or floor for exhaust duct before making cutouts. Do not cut a joist or stud unless absolutely necessary. If a joist or stud must be cut, then a supporting frame must be constructed.

**WARNING - To Reduce The Risk Of Fire, Use Only Metal Ductwork.**

**CAUTION - To reduce risk of fire and to properly exhaust air, be sure to duct air outside – Do not vent exhaust air into spaces within walls or ceilings or into attics, crawl spaces, or garages.**

### **Cold Weather installations**

An additional back draft damper should be installed to minimize backward cold air flow and a nonmetallic thermal break should be installed to minimize conduction of outside temperatures as part of the vent system. The damper should be on the cold air side of the thermal break. The break should be as close as possible to where the vent system enters the heated portion of the house.



## **WARNING**

- Venting system **MUST** terminate outside the home.
- **DO NOT** terminate the ductwork in an attic or other enclosed space.
- **DO NOT** use 4" laundry-type wall caps.
- Flexible-type ductwork is not recommended.
- **DO NOT** obstruct the flow of combustion and ventilation air.
- Failure to follow venting requirements may result in a fire.

## ELECTRICAL REQUIREMENTS

A 120 volt, 60 Hz AC-only electrical supply is required on a separate 15 amp fused circuit. A time-delay fuse or circuit breaker is recommended. The fuse must be sized per local codes in accordance with the electrical rating of this unit as specified on the serial/rating plate located inside the unit near the field wiring compartment.

### ELECTRICAL INSTALLATION WITH WIRING BOX

THIS UNIT MUST BE CONNECTED WITH COPPER WIRE ONLY. Wire sizes must conform to the requirements of the National Electrical Code, ANSI/NFPA 70 - latest edition, and all local codes and ordinances. Wire size and connections must conform with the rating of the appliance. Copies of the standard listed above may be obtained from:

National Fire Protection Association  
Batterymarch Park  
Quincy, Massachusetts 02269

This appliance should be connected directly to the fused disconnect (or circuit breaker) through flexible, armored or nonmetallic sheathed copper cable. Allow some slack in the cable so the appliance can be moved if servicing is ever necessary. A UL Listed, 1/2" conduit connector must be provided at each end of the power supply cable (at the appliance and at the junction box).

When making the electrical connection, cut a 1 1/4" hole in the wall. A hole cut through wood must be sanded until smooth. A hole through metal must have a grommet.



## WARNING

- Electrical ground is required on this rangehood.
- If cold water pipe is interrupted by plastic, nonmetallic gaskets or other materials, DO NOT use for grounding.
- DO NOT ground to a gas pipe.
- DO NOT have a fuse in the neutral or grounding circuit. A fuse in the neutral or grounding circuit could result in electrical shock.
- Check with a qualified electrician if you are in doubt as to whether the rangehood is properly grounded.
- Failure to follow electrical requirements may result in a fire.

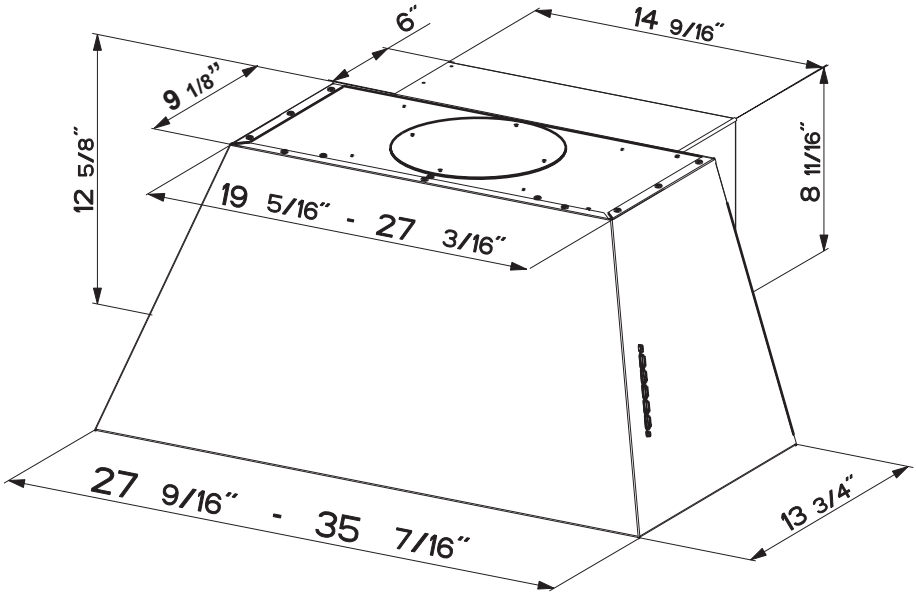
### State of California Proposition 65 Warning (US only)

#### WARNING

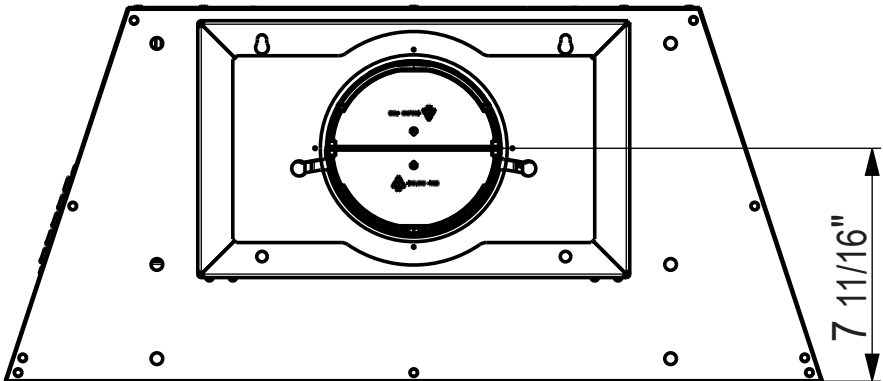
This product contains chemicals known to the State of California to cause cancer and birth defects or other reproductive harm.

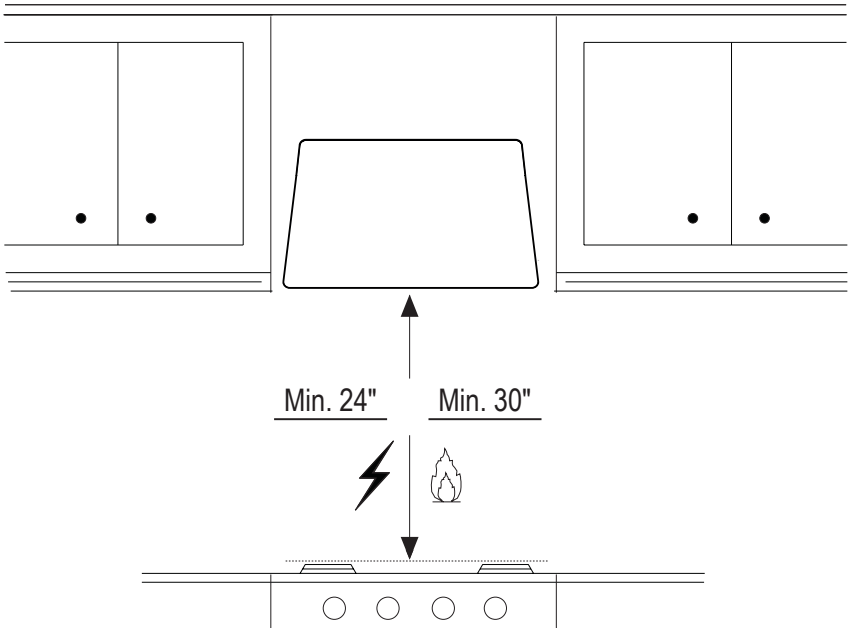
For more information go to [www.P65Warnings.ca.gov](http://www.P65Warnings.ca.gov)

# RANGEHOOD DIMENSIONS



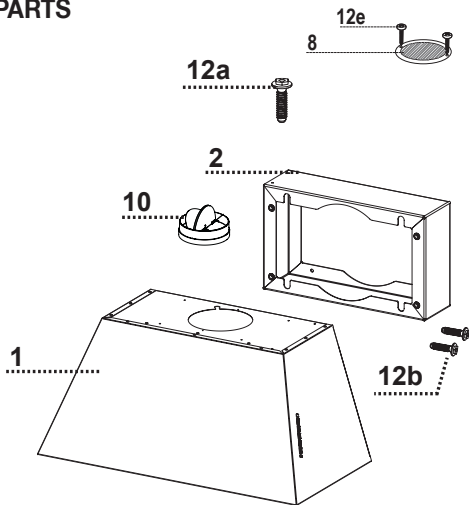
## REAR DUCTED VENTING INSTALLATION (the Hood should come set in this position)





## MAIN PARTS

Components		
Ref.	Qty.	Product Components
1	1	Hood Body, complete with: Controls, Light, Filters, Blower.
2	1	Rear Section
8	1	Recirculation Vent Grill
10	1	Damper $\varnothing$ 5 7/8"
Installation Components		
12a	4	Screws 1/4" x 9/16"
12b	2	Screws 1/8"x3/8" (for Wiring Box mounting)
12e	2	Screws 1/8"x3/8" (for Recirculation Vent Grill mounting)
Documentation		
	1	Instruction Manual



### Parts needed

- 6" Round Metal ductwork .

### Available Accessories

Recirculation Vent Kit - Activated Charcoal Filter - sku# FILTER1

Washable Long Lasting Charcoal Filter Kit - sku# FILTER1LL

Telescopic Chimney Accessory Kit - Upper and Lower Chimney Flue for Ducted or Recirculation Venting - sku#CHIMCHBK - Black

Wireless Remote Control Accessory - REMCTRL2

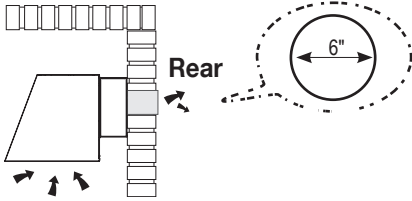
Cfm reducer kit (600-400) - sk# CFMRED-2

Cfm reducer kit (600-300) - sku# CFMRED

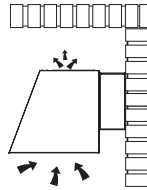


## Choose your ducting method

### Ducted Venting Options Installation



### Non Ducted - Recirculation Option



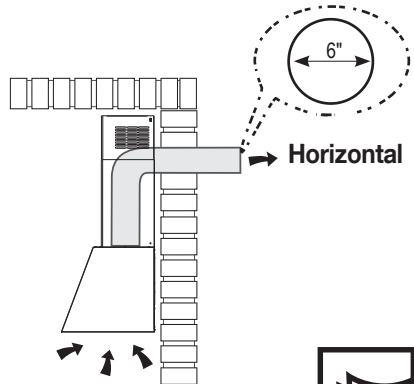
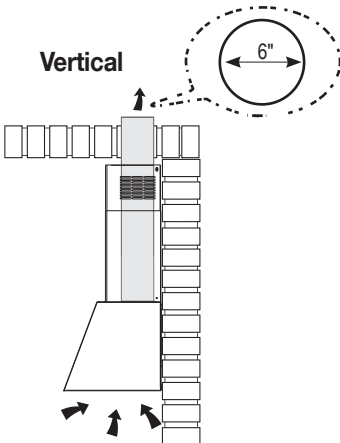
Requires purchase of Activated Charcoal Accessory

When used in recirculation mode, To Reduce the Risk of Fire and Shock use only conversion kit Model FILTER1 or FILTER1LL.



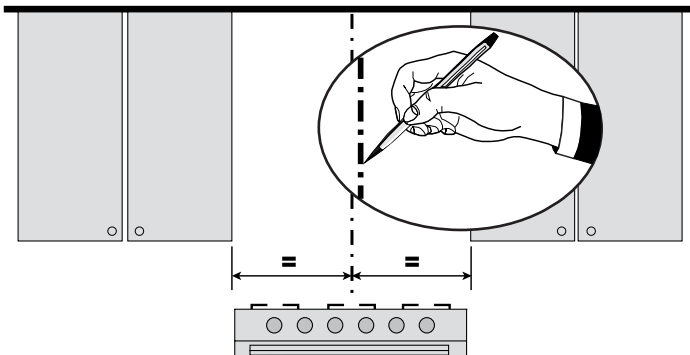
### Vertical and Horizontal Ducted Venting Installation with the optional Kit Chimney

Requires purchase of Chimney accessory



## Installation Instructions

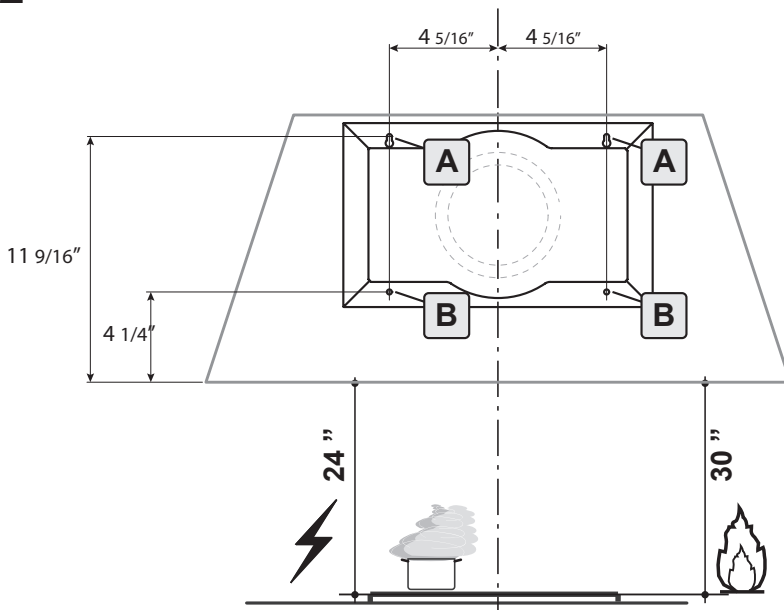
1



Draw a vertical line on the supporting wall as high as practical, at the center of the area in which the hood will be installed. Draw a horizontal line at where the bottom edge of the hood will be located as indicated in the figure that is a minimum of 24" above Electric cooking surface and 30" above Gas.

2

### Rear Section Installation

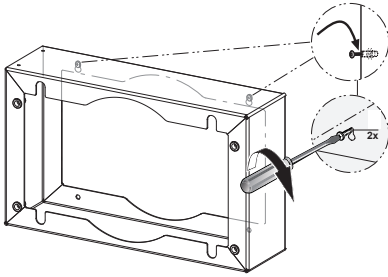


Mark the wall where indicated (A), 11 9/16" above the horizontal line and at 4 5/16" distance on the left and right of vertical line. Checking that the two marks are level.

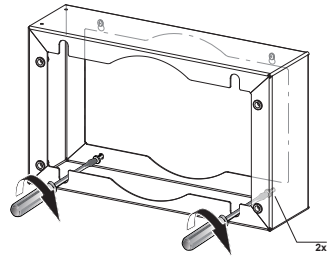
Insert two wall plugs and screws (purchased separately) into the (A) holes as shown and leave 1/4" of screws exposed.

Mark the wall where indicated (B), 4 1/4" above the horizontal line and at 4 5/16" distance on the left and right of vertical line. Checking that the two marks are level.

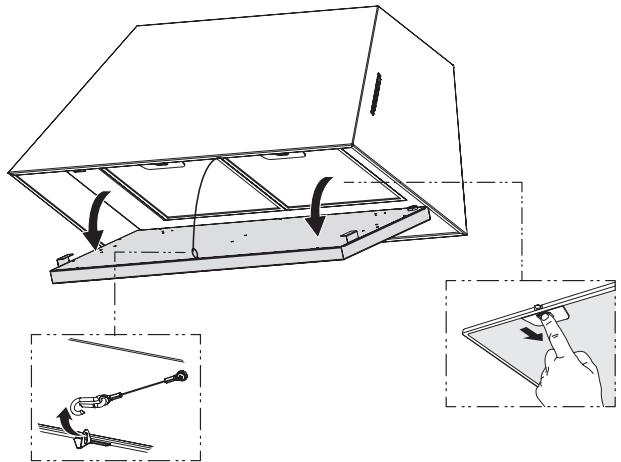
Insert two wall plugs (purchased separately).

**3**

Hook the Rear Section as shown in the image above onto the upper screws and fully secure.

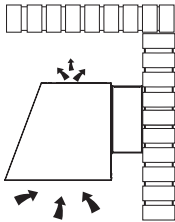
**4**

From inside fully secure the two lower screws (purchased separately).

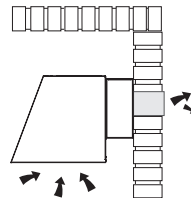
**5**

Open the panel, unlock the security cable as shown. Remove the filters by pushing the lever towards the back of the unit and at the same time pulling downward. Do not discard the filters and set aside for future use.

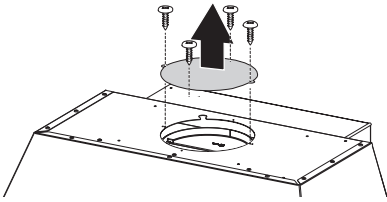
### For Non-Ducted Recirculation Option



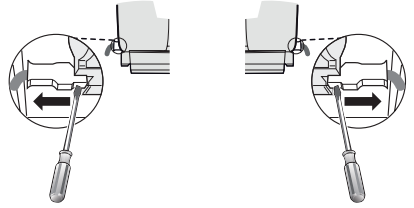
### Rear Ducting Installation





**6**

Remove the 4 screws as shown and take off the cover plates.  
Do not discard and set aside for future use.

**7**

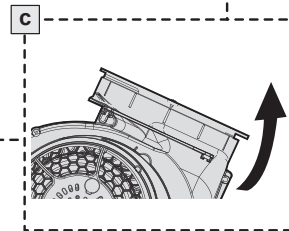
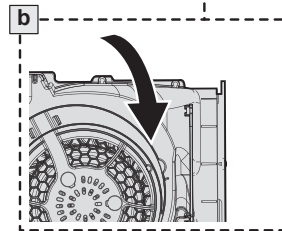
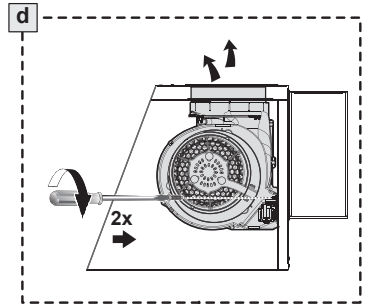
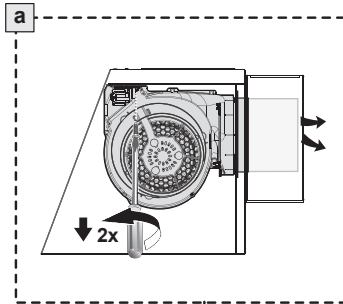
From inside the hood, use a flat head screwdriver as shown in image above, to disconnect the left and right Connectors from the blower.

**8**

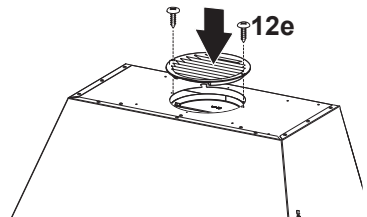
Unscrew the 2 screws (Posi-Drive) that hold the blower and unlock it from the initial position as shown in Image a.

After removing blower rotate as shown until it is in the correct rear venting position as shown in Image b-c.

Use the two screws that were removed to secure the blower as shown in Image d.

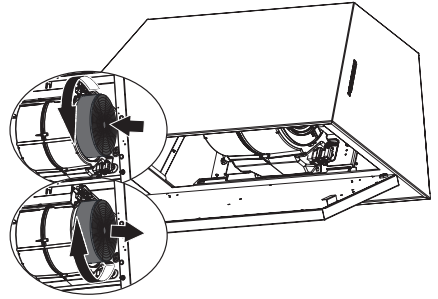
**9**

Fix the Recirculation Vent Grill with two screws.



# 10

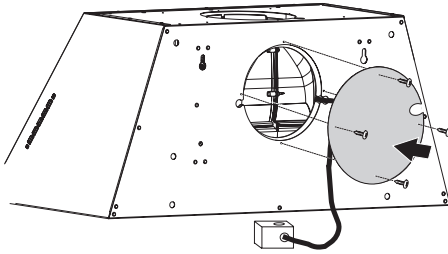
Attach each charcoal filter to the black grid on each side of the blower. Press the charcoal filter tightly to the black grid on the blower side and rotate the filter clockwise (towards the front of the hood) until it locks into place. Turn counterclockwise (towards the back of the hood) to remove.



Required Activated Charcoal Filter Accessory - sku # - FILTER1 (purchased separately).  
Long Lasting Charcoal Filter Kit - sku# FILTER1LL

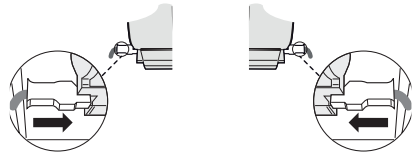


# 11



Fix the cover plate with the 4 screws removed previously and route the wiring box outside of the hood body through the notch on the cover plate.

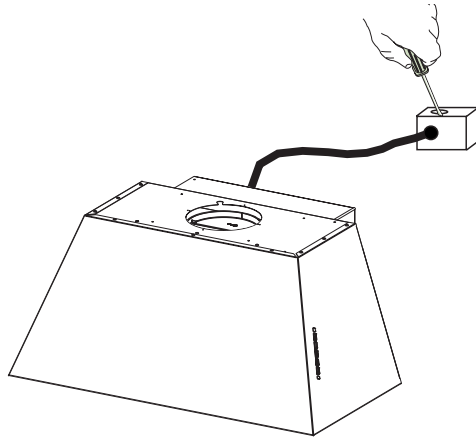
# 12



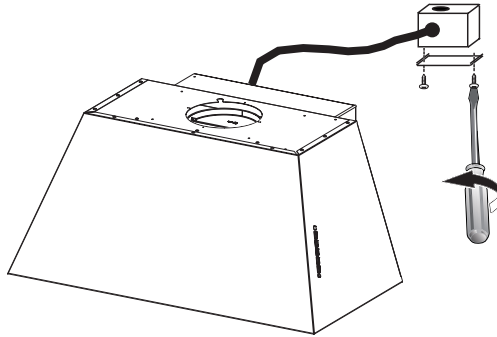
From inside the hood re-connect the Connectors on the left and right side shown in the image above.

# 13

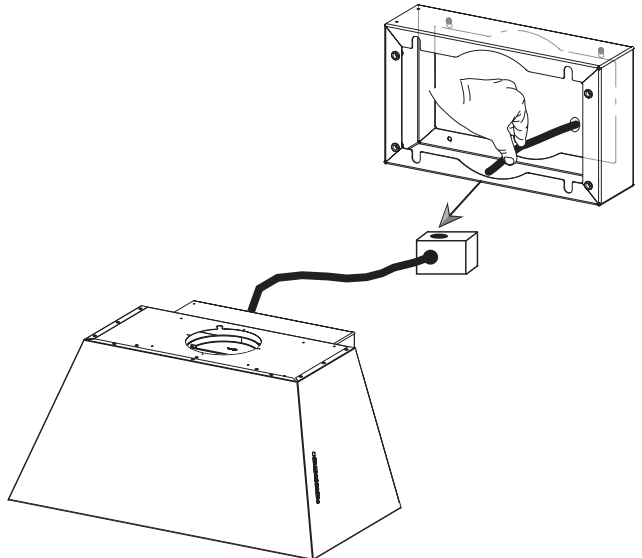
Break the Hole in the Wiring Box to connect the Hood to Power Supply Cable.

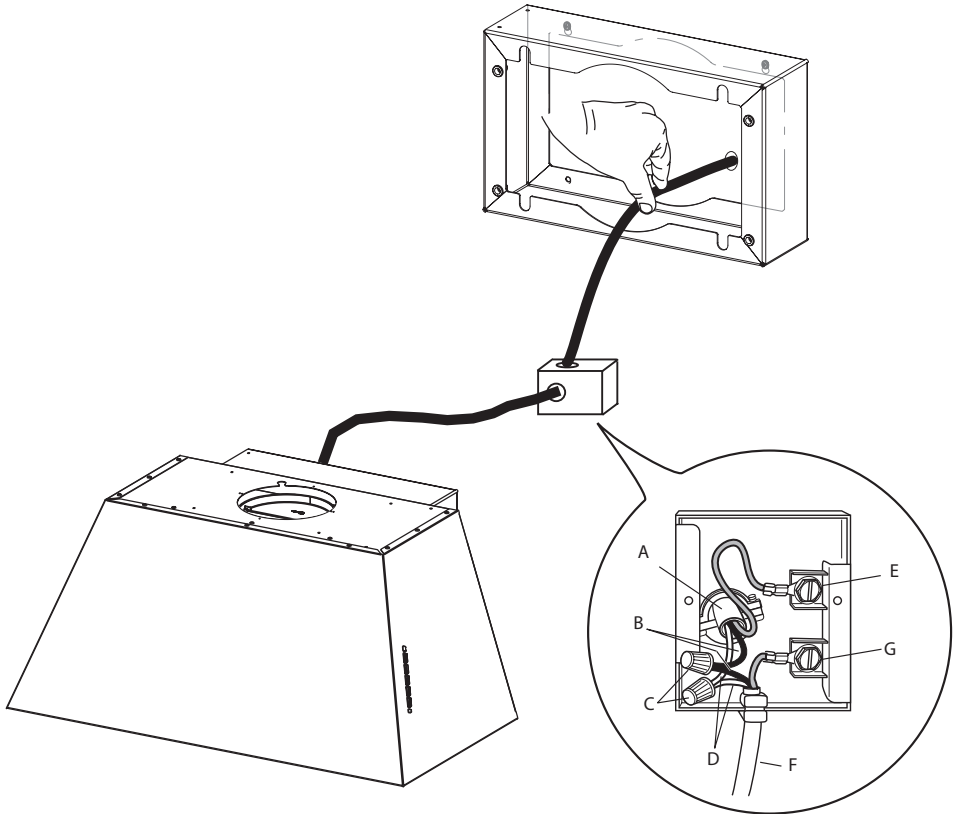


Remove the Wiring Box compartment cover by unscrewing the two screws.



Pull the cable from the Power Supply through the Hole for the Electrical Connection to the Wiring Box.





### Installation of wiring connection

Remove the cover from the field wiring compartment.

DO NOT turn on the power until installation is complete!

Connect the Power Supply Cable to the rangehood.

Connect the Green (Green and Yellow) ground wire under the Green grounding screw. Attach the White lead of the power supply to the White lead of the rangehood with a twist-on type wire connector.

Attach the Black lead of the power supply to the Black lead of the rangehood with a twist-on type wire connector.

Replace the field wiring compartment cover.

**A. Home power supply cable**

**B. Black wires**

**C. UL listed wire connectors**

**D. White wires**

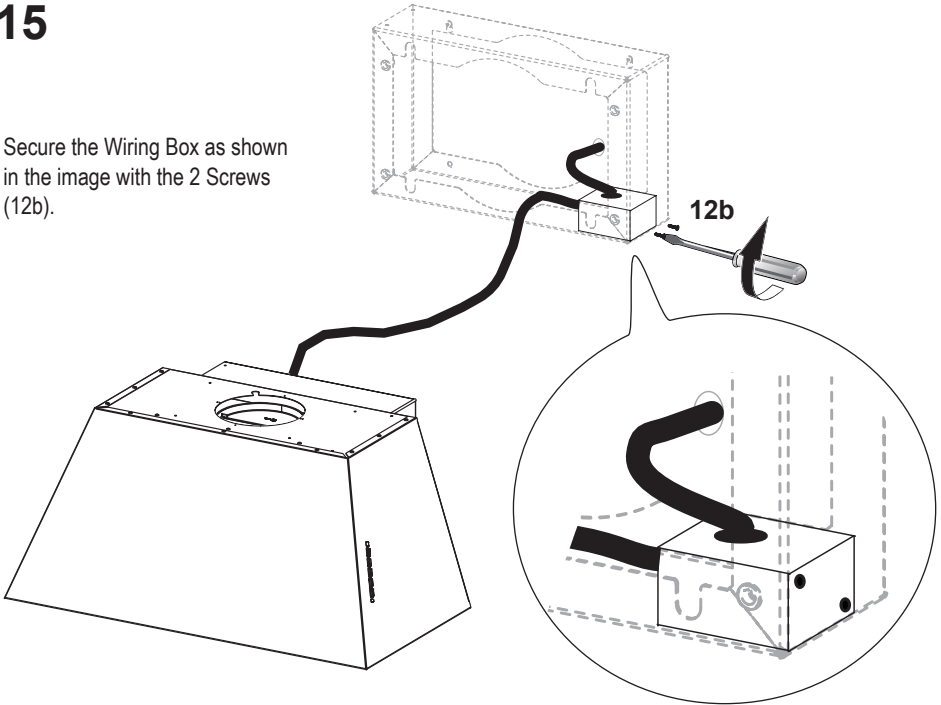
**E. Green (or bare) ground wire from home power supply connected to green ground screw**

**F. Range hood power supply cable**

**G. Green ground wire from Range hood power supply cable connected to green ground screw.**

# 15

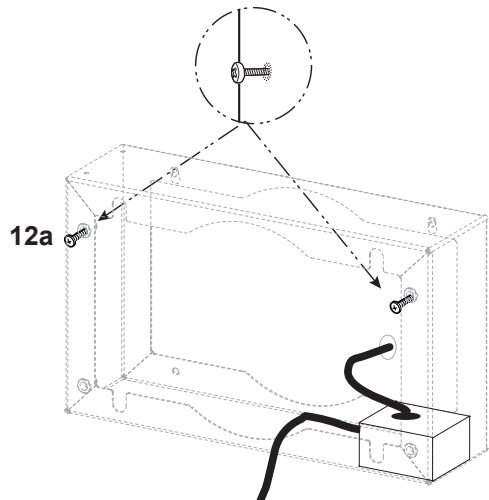
Secure the Wiring Box as shown in the image with the 2 Screws (12b).



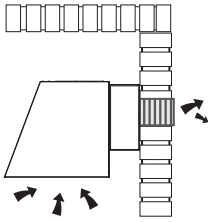
**Attention:** After the Wiring Box installation, place the Cable inside a Rear Section without stressing for the Cable.

# 16

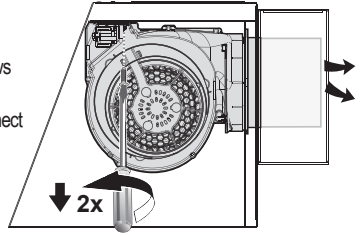
Screw the two 12a screws into the Rear Section with the heads exposed by 1/4".



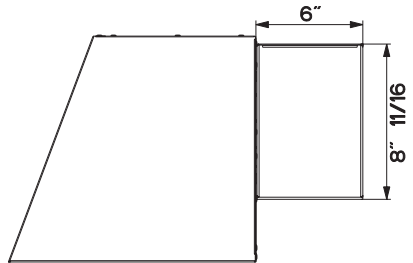
## Only for the Rear Ducting Installation



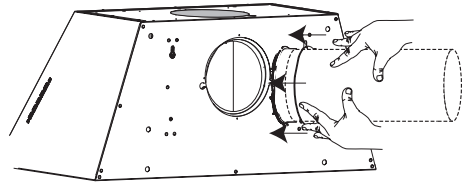
Before fixing the Body Hood to the Rear Section, Unscrew the 2 screws to fix the Blower. This operation will simplify the connect of Air outlet duct.



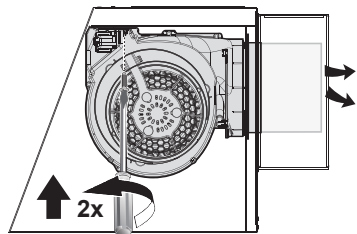
Use this dimensional drawing to help with planning of duct connection.



Install to the Roof or Wall attach ductwork.

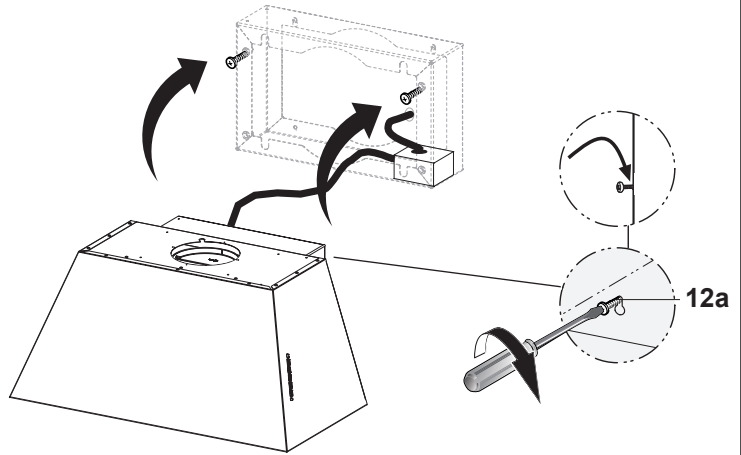


After fixing the Body Hood to the Rear Section, fix the Blower in the previously position with the same 2 screws.



# 17

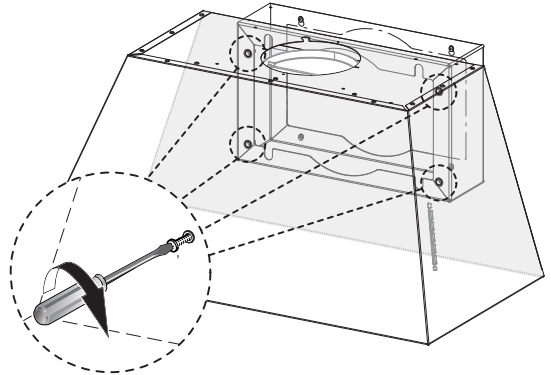
Hook the hood body onto the upper screws (12a) of the mounted Rear Section, and then fully secure the screws.



# 18

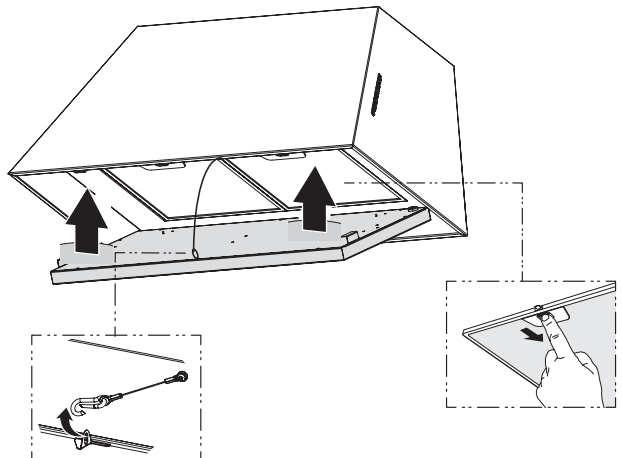
Complete the Securing of the Hood Body to the Rear Section by installing the two remaining 12a screws into the lower holes on the Rear Section.

Secure all the 4 screws.

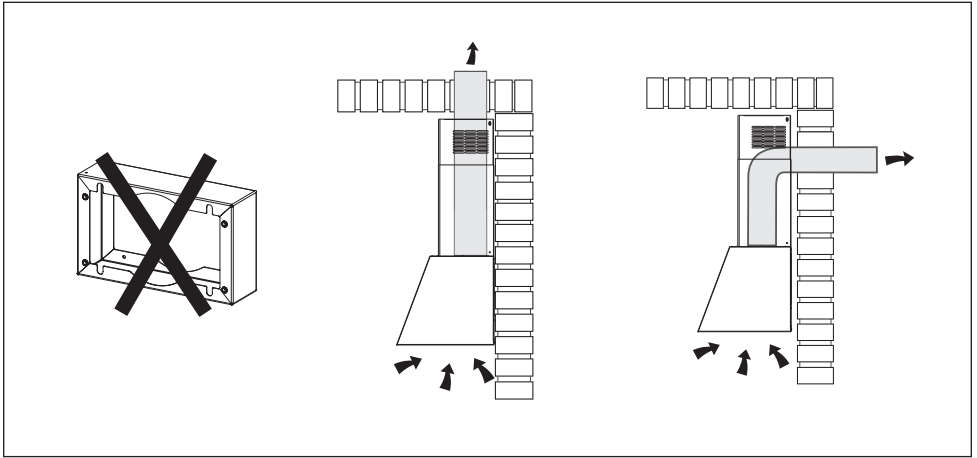


# 19

Replace the filters into the hood, and lock the security cable as shown in the image to the right. Close the panel.

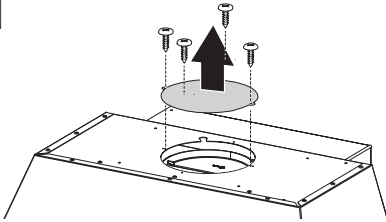


## Vertical and Horizontal Ducted Venting Installation with the optional Kit Chimney



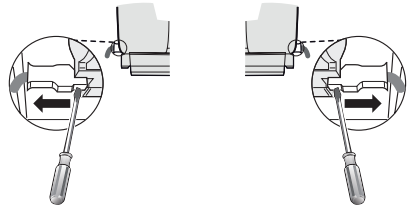
### Installation with the optional Kit Chimney - Preparation of Hood

1



Remove the 4 screws as shown and take off the cover plates. Do not discard and set aside for future use.

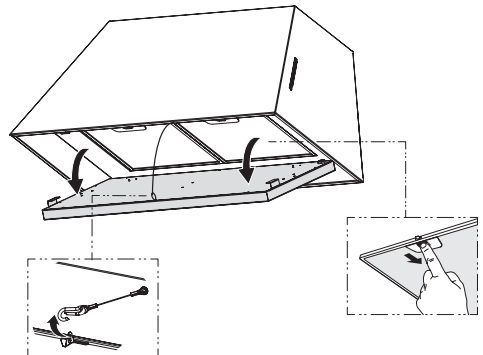
2



From inside the hood, use a flat head screwdriver as shown in image above, to disconnect the left and right Connectors from the blower.

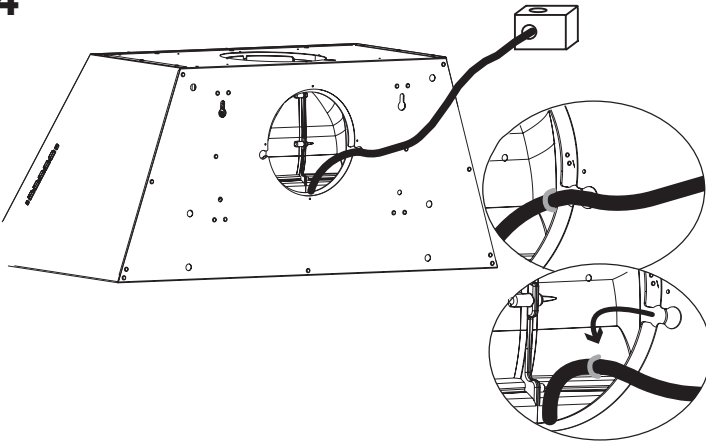
3

Open the panel, unlock the security cable as shown. Remove the filters by pushing the lever towards the back of the unit and at the same time pulling downward. Do not discard the filters and set aside for future use.

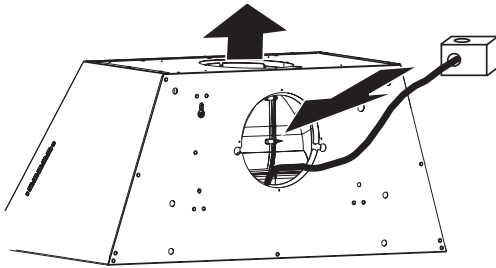




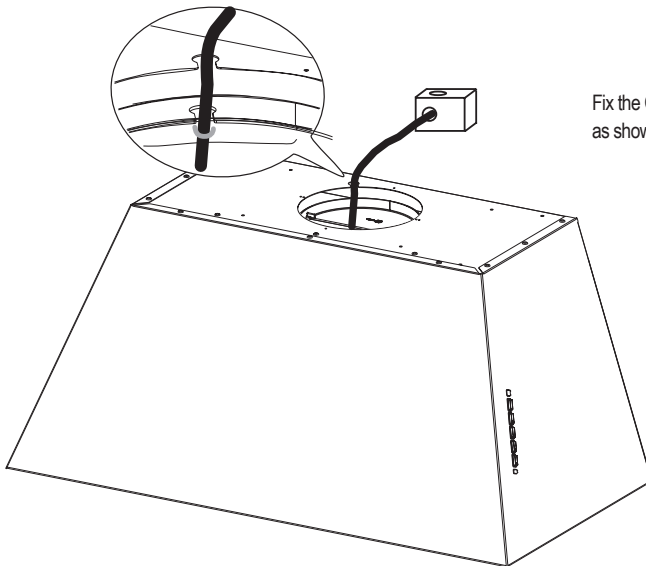
4



Pull the Cable from the rear hole.

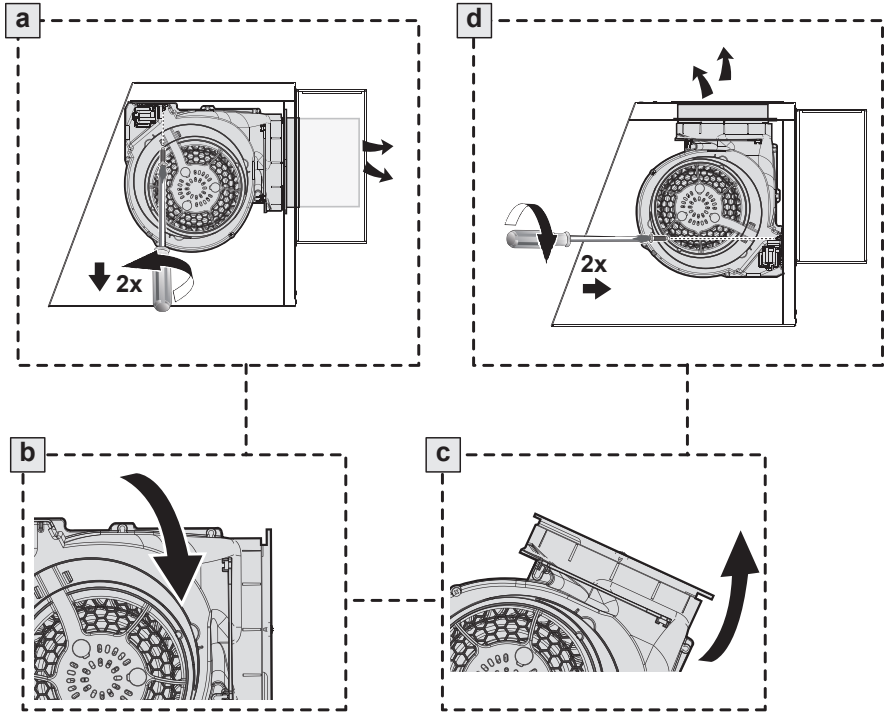


Move the Cable from the rear of the Hood to the Top of the Hood.



Fix the Cable in the hole on the Top of the Hood as show.

# 5



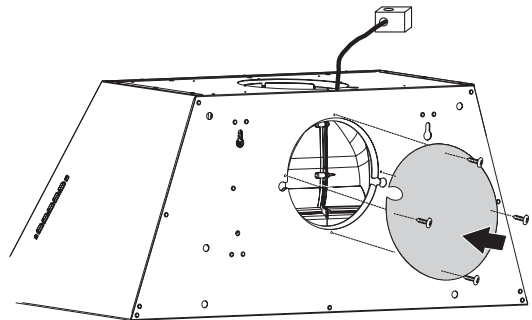
Unscrew the 2 screws that hold the blower and unlock it from the initial position as shown in Image a.

After removing blower rotate as shown until it is in the correct rear venting position as shown in Image b-c.

Use the two screws (Posi-Drive) that were removed to secure the blower as shown in Image d.

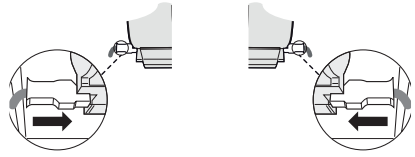
# 6

Re-secure the Cover Plate as shown with the screws removed previously.



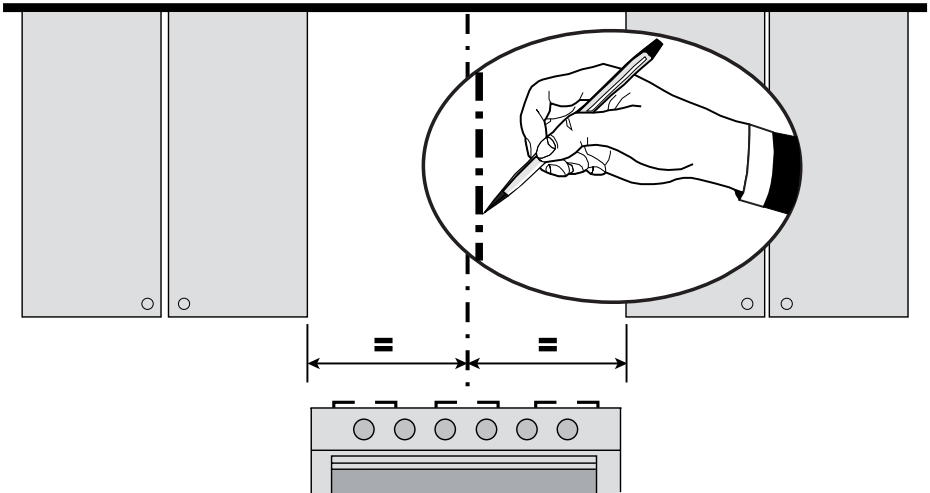
# 7

From inside the hood re-connect the Connectors on the left and right side shown in the image above.



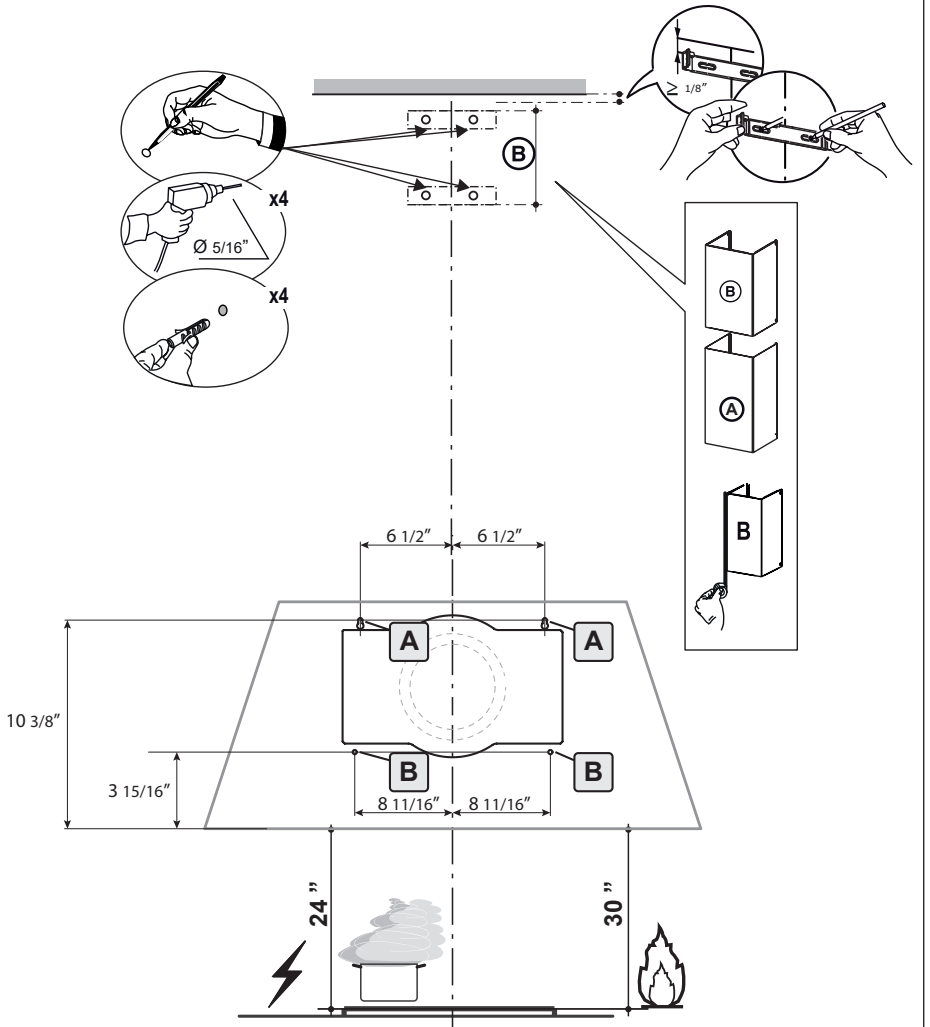
## Installation with the optional Kit Chimney - Preparation of Wall

# 8



Draw a vertical line on the supporting wall as high as practical, at the center of the area in which the hood will be installed. Draw a horizontal line at where the bottom edge of the hood will be located as indicated in the figure that is a minimum of 24" above Electric cooking surface and 30" above Gas.

9



Mark the wall where indicated (A), 10 3/8" above the horizontal line and at 6 1/2" distance on the left and right of vertical line. Checking that the two marks are level.

Insert two wall plugs and two screws into the holes as shown not completely (purchased separately).

Mark the wall where indicated (B), 3 15/16" above the horizontal line and at 8 11/16" distance on the left and right of vertical line. Checking that the two marks are level.

Insert two wall plugs (purchased separately).

Place a bracket 7.2.1 on the wall as shown about 1/8" from the ceiling or upper limit, aligning the center (notch) with the vertical reference line and mark the wall at the centers of the holes in the bracket.

Place the second bracket 7.2.1 on the wall as shown, below the first bracket, at the height of the upper chimney section supplied and aligning the center (notch) with the vertical line.

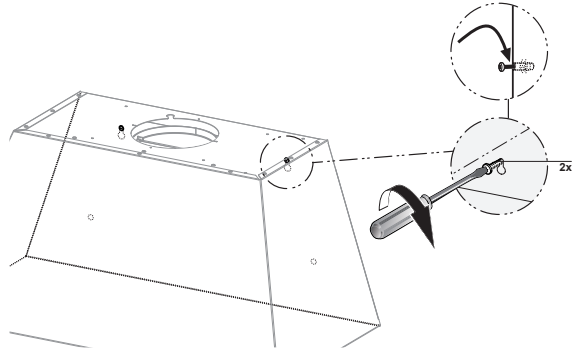
Mark the wall at the centers of the holes in the bracket and drill  $\varnothing$  5/16" as shown.

Installation screws provided for the Brackets, must be secured with wall plugs (purchased separately).

## Installation with the optional Kit Chimney

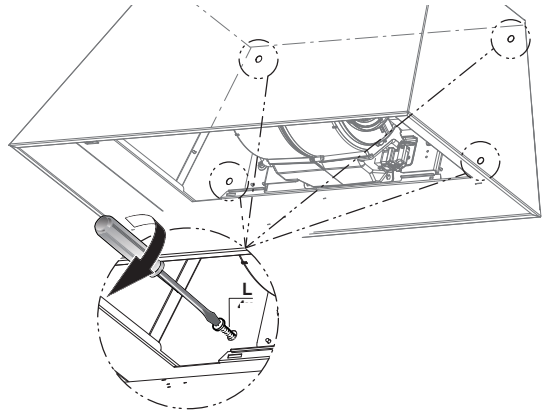
# 10

Hook and fix the hood body onto the wall.



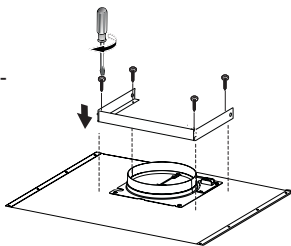
# 11

From inside fully secure the 4 screws 12a.



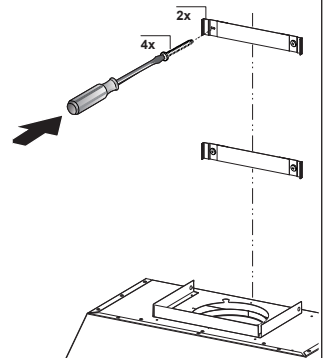
# 12

Use the four screws (included with Optional Telescopic Chimney Kit) to secure the angle bracket.

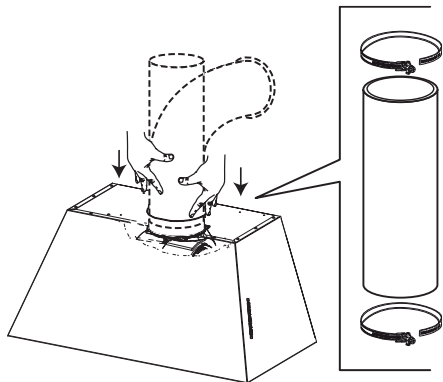
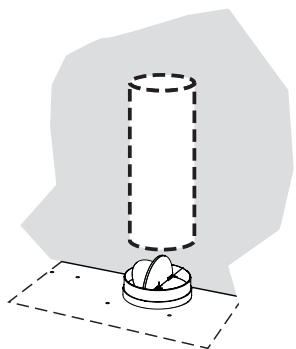


# 13

Fix the bracket using the screws included with Optional Telescopic Chimney Kit.

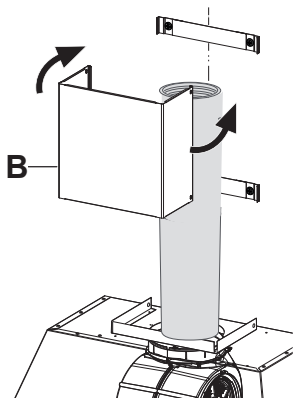


# 14



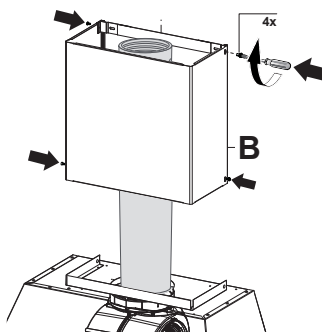
Install Roof or Wall Cap purchased separately. Connect the 6" metal ductwork to the Roof or Wall Cap and then attach ductwork.

# 15



Slightly widen the two sides of the upper chimney and hook them behind the brackets, making sure that they are well seated.

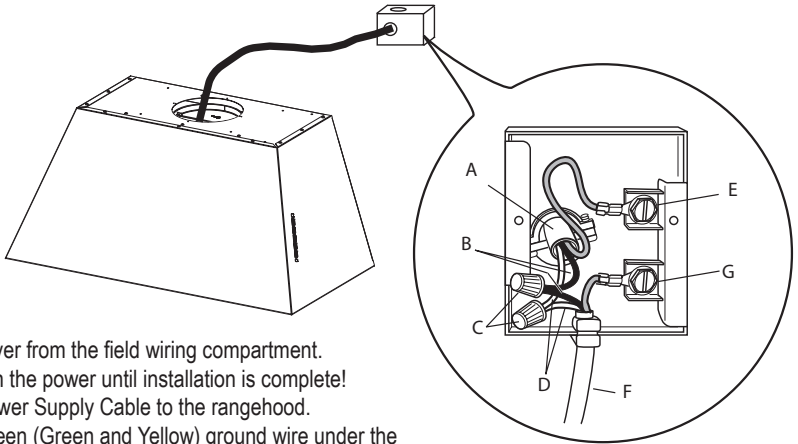
# 16



Secure the sides to the brackets by using the 4 screws .

# 17

## Installation of wiring connection



Remove the cover from the field wiring compartment.  
DO NOT turn on the power until installation is complete!  
Connect the Power Supply Cable to the rangehood.  
Connect the Green (Green and Yellow) ground wire under the Green grounding screw. Attach the White lead of the power supply to the White lead of the rangehood with a twist-on type wire connector.  
Attach the Black lead of the power supply to the Black lead of the rangehood with a twist-on type wire connector.  
Replace the field wiring compartment cover.

**A. Home power supply cable**

**B. Black wires**

**C. UL listed wire connectors**

**D. White wires**

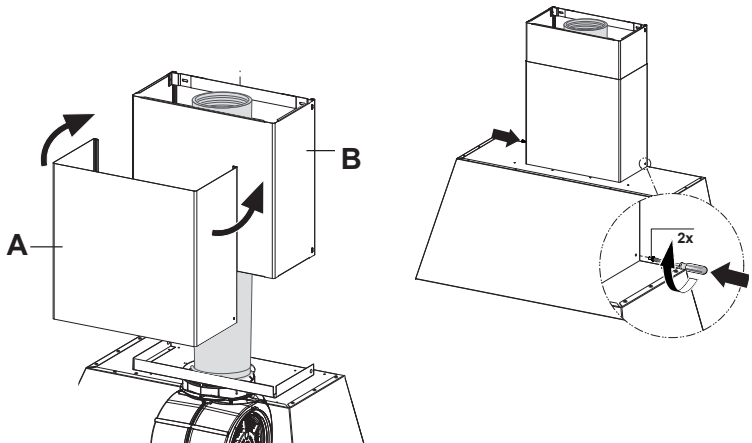
**E. Green (or bare) ground wire from home power supply connected to green ground screw**

**F. Range hood power supply cable**

**G. Green ground wire from Range hood power supply cable connected to green ground screw.**

# 18

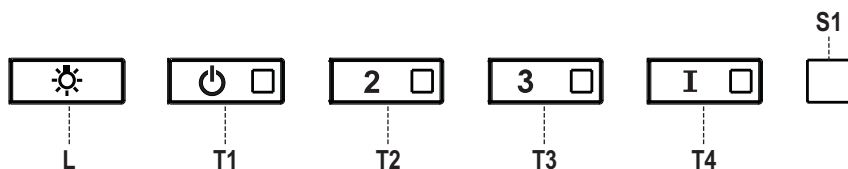
Slightly widen the two sides of the lower section and hook them between the upper section and the wall, making sure that they are properly housed.



## USE AND CARE INFORMATION

### For Best Results

Start the rangehood several minutes before cooking to develop proper airflow. Allow the rangehood to operate for several minutes after cooking is complete to clear all smoke and odors from the kitchen.



Button	Function	Led
<b>L</b>	Turns the lights on/off at maximum strength.	-
	Press and hold the button for approximately 2 seconds to dim the Lights On/Off.	-
<b>T1</b>	Turns the motor on/off at speed one.	-
<b>T2</b>	Turns the Motor on at speed two.	-
	Press and hold the button for approximately 5 seconds, with all the loads turned off (Motor and Lights), to turn the Activated Charcoal Filter alarm on. The relevant LED flashes twice to confirm. To turn the alarm off, press the button again and hold for at least 5 seconds. The relevant LED flashes once.	Flashing
<b>T3</b>	Turns the Motor on at speed three.	-
	Press and hold the button for approximately 3 seconds, with all the loads turned off (Motor and Lights), to perform a reset. The LED S1 flashes three times.	Flashing
<b>T4</b>	Turns the Motor on at INTENSIVE Speed.	-
	This speed is timed to run for 6 minutes. At the end of this time, the system returns automatically to the speed that was set before. If it is activated with the motor turned off, the hood will switch to OFF at the end of the time.	-
	Press and hold for 5 seconds to enable the remote control, indicated by the LED flashing twice. Press and hold for 5 seconds to disable the remote control, indicated by the LED flashing just once.	Flashing
<b>S1</b>	Signals the Metal Grease Filter saturation alarm, indicating that it is necessary to wash the filters. The alarm is triggered after the Hood has been in operation for 100 working hours.	Fixed
	When this is activated, it signals the Activated Charcoal Filter saturation alarm, indicating that the filter must be changed; the Metal Grease Filters must also be washed. The Activated Charcoal Filter saturation alarm comes into operation after the Hood has been working for 200 hours.	Flashing



## Cleaning metal grease filters

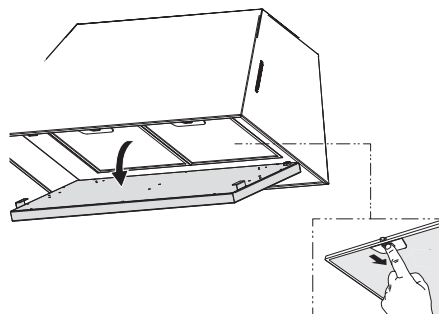
These can be washed in the dishwasher, and need to be cleaned whenever the S1 Led comes on or at least once every 2 months use, or more frequently if use is particularly intensive.

### Resetting the alarm signal

- Turn the Lights and the Suction Motor off.
- Press T3 and hold for at least 3 seconds, until LED flashes three times in confirmation.

### Cleaning

- Remove the filter, pushing the lever towards the back of the unit and at the same time pulling downward.
- Wash the filter without bending it, leave it to dry thoroughly before replacing (if the surface of the filter changes color over time, this will have absolutely no effect on its efficiency).
- Replace, taking care to ensure that the handle faces forward.
- No water can be present in filters before installing back in hood.



## Replacing Activated Charcoal Filter

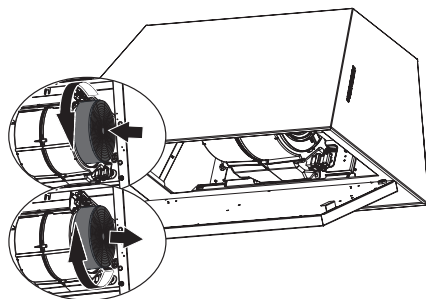
This cannot be washed or regenerated, and must be changed when led S1 starts to flash, or at least once every 4 months. The Alarm signal, if it has been activated, only appears when the Suction motor is turned on.

### Resetting the alarm signal

- Turn the Lights and the Suction Motor off.
- Press T3 and hold for at least 3 seconds, until LED flashes three times in confirmation.

### Cleaning

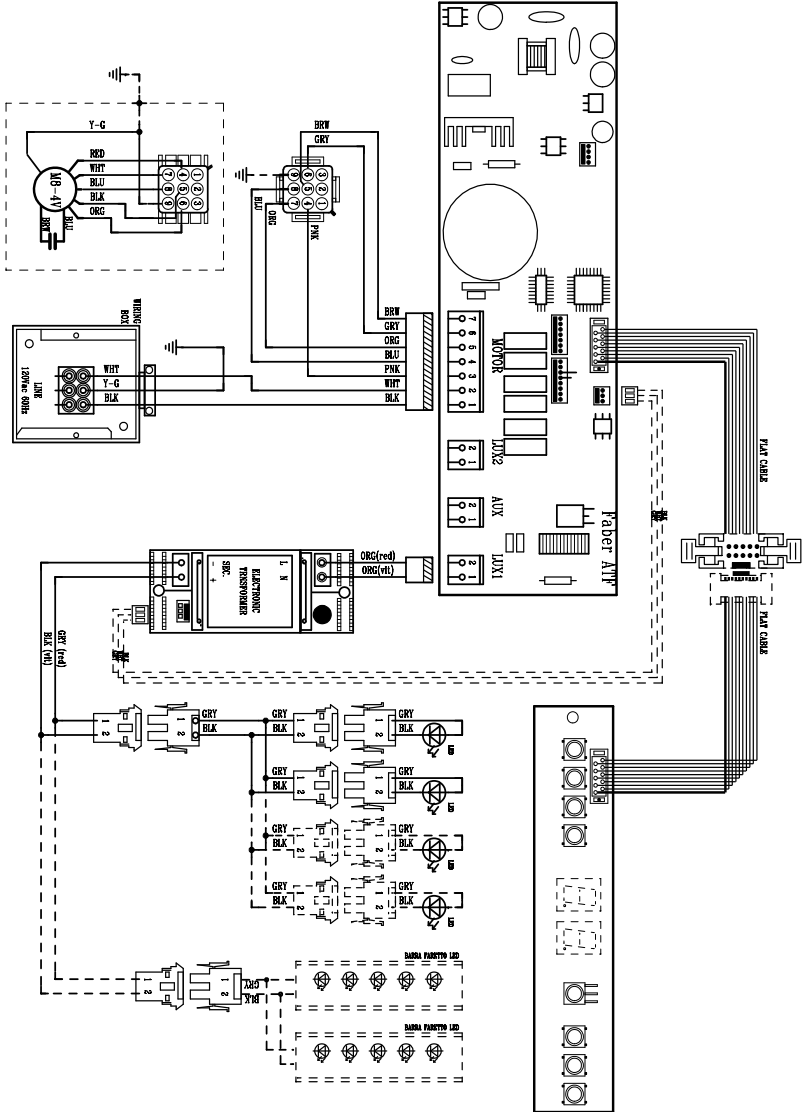
- Remove the charcoal filter by rotating it clockwise ( backwards) until it unlocks from the motor housing and pull off sideways.
- To re-insert each charcoal filter, place up against the side of the blower and push it inward. Then turn the charcoal filter clockwise (forward) until it fits into place.
- **CAUTION:** When used in recirculation mode, to Reduce the Risk of Fire and Shock use only conversion kit Model FILTER 1 or FILTER1LL.



## LED LIGHTING UNIT

- LED lights must be replaced by Faber factory authorized service.

# Wiring Diagram





## FABER CONSUMER WARRANTY & SERVICE

All Faber products are warranted against any defect in materials or workmanship for the original purchaser for a period of 1 year from the date of original purchase (requires proof of purchase). This warranty covers labor and replacement parts. Faber, at its option, may repair or replace the product or components necessary to restore the product to good working condition. To obtain warranty service, contact the dealer from whom you purchased the range hood, or the local Faber distributor. If you cannot identify a local Faber distributor, contact us at (508) 358-5353 for the name of a distributor in your area.

**The following is not covered by Faber's warranty:**

1. Service calls to correct the installation of your range hood, to instruct you how to use your range hood, to replace or repair house fuses or to correct house wiring or plumbing.
2. Service calls to repair or replace range hood light bulbs, fuses or filters. Those consumable parts are excluded from warranty coverage.
3. Repairs when your range hood is used for other than normal, single-family household use.
4. Damage resulting from accident, alteration, misuse, abuse, fire, flood, acts of God, improper installation, installation not in accordance with electrical or plumbing codes or Faber documentation, or use of products not approved by Faber.
5. Replacement parts or repair labor costs for units operated outside the United States or Canada, including any non-UL or C-UL approved Faber range hoods.
6. Repairs to the hood resulting from unauthorized modifications made to the range hood.
7. Expenses for travel and transportation for product service in remote locations and pickup and delivery charges. Faber range hoods should be serviced in the home.

THIS WARRANTY DOES NOT ALLOW RECOVERY OF INCIDENTAL OR CONSEQUENTIAL DAMAGES, INCLUDING, WITHOUT LIMITATION, DIRECT, INDIRECT, INCIDENTAL, SPECIAL OR CONSEQUENTIAL DAMAGES, PERSONAL INJURY/WRONGFUL DEATH OR LOST PROFITS. FABER WARRANTY IS LIMITED TO THE ABOVE CONDITIONS AND TO THE WARRANTY PERIOD SPECIFIED HEREIN AND IS EXCLUSIVE. EXCEPT AS EXPRESSLY SPECIFIED IN THIS AGREEMENT, FABER DISCLAIMS ALL EXPRESS OR IMPLIED CONDITIONS, REPRESENTATIONS, AND WARRANTIES INCLUDING, WITHOUT LIMITATION, ANY IMPLIED WARRANTIES OF MERCHANTABILITY OR FITNESS FOR A PARTICULAR PURPOSE.

This warranty gives you specific legal rights that may vary from state to state.

Model#: \_\_\_\_\_

Serial #: \_\_\_\_\_

January 4, 2016

# VEUILLEZ LIRE ET CONSERVER LA PRÉSENTE NOTICE AVANT DE COMMENCER L'INSTALLATION DE LA HOTTE DE CUISINE

**AVERTISSEMENT : POUR RÉDUIRE LE RISQUE D'UN FEU DE GRAISSE SUR LA TABLE DE CUISSON :**

- a) Ne laissez jamais sans surveillance les éléments de la surface de cuisson à température élevée. Les bouillonnements excessifs peuvent provoquer de la fumée et les débordements de graisse peuvent s'enflammer. L'huile doit être chauffée lentement, à une température basse ou moyenne.
- b) Assurez-vous de toujours mettre en marche le ventilateur de la hotte lorsque vous cuisinez à température élevée ou préparez un mets flambé (p.ex. crêpes Suzette, cerises jubilé, bœuf flambé).
- c) Nettoyez régulièrement les ventilateurs d'aspiration. Assurez-vous de ne pas laisser de la graisse s'accumuler sur le ventilateur ou le filtre.
- d) Utilisez toujours des poêles et casseroles de la taille appropriée. Utilisez toujours des ustensiles de cuisine de la taille adaptée à celle de l'élément chauffant.

**AVERTISSEMENT : - POUR PRÉVENIR LES BLESSURES EN CAS DE FEU DE GRAISSE SUR LA TABLE DE CUISSON, SUIVEZ LES RECOMMANDATIONS SUIVANTES\* :**

- a) ÉTOUFFEZ LES FLAMMES à l'aide d'un couvercle hermétique, d'une plaque à biscuits ou d'un plateau métallique, puis éteignez le brûleur. FAITES ATTENTION AUX BRÛLURES. Si le feu ne s'éteint pas immédiatement, QUITTEZ LES LIEUX ET APPELEZ LES POMPIERS.
- b) NE PRENEZ JAMAIS UNE CASSEROLE EN FLAMME - Vous pourriez vous brûler.
- c) N'UTILISEZ JAMAIS DE L'EAU, ni un linge à vaisselle ou un torchon mouillé, pour éteindre le feu. Cela pourrait provoquer une violente explosion de vapeur.
- d) Utilisez un extincteur UNIQUEMENT si :
  1. Vous êtes certain qu'il s'agit d'un extincteur de classe ABC et que vous connaissez bien son mode d'emploi.
  2. Le feu est de faible intensité et se limite à l'endroit où il a démarré.
  3. Les pompiers ont déjà été appelés.
  4. Une voie de sortie se trouve derrière vous pendant que vous éteignez les flammes.

\* D'après le guide « Kitchen Firesafety Tips » publié par la NFPA aux États-Unis

**AVERTISSEMENT - POUR RÉDUIRE LE RISQUE D'INCENDIE OU DE CHOC ÉLECTRIQUE, n'utilisez jamais ce ventilateur en association avec un dispositif de réglage de vitesse à semi-conducteurs.**

**AVERTISSEMENT - POUR RÉDUIRE LES RISQUES D'INCENDIE, DE CHOC ÉLECTRIQUE OU DE BLESSURE CORPORELLE, RESPECTEZ LES INSTRUCTIONS SUIVANTES :**

1. Utilisez cet appareil uniquement de la façon prévue par le fabricant. Pour toute question, communiquez avec le fabricant.
2. Avant de procéder à l'entretien ou au nettoyage de l'appareil, coupez l'alimentation au niveau du panneau électrique et verrouillez-le pour vous assurer que l'électricité n'est pas rétablie accidentellement. S'il n'est pas possible de verrouiller le dispositif d'interruption de l'alimentation, affichez de façon ferme et bien visible un avis de danger, par exemple à l'aide d'une étiquette sur le panneau.

**ATTENTION : Destiné à un usage de ventilation générale uniquement. N'utilisez pas ce dispositif pour l'aspiration de vapeurs ou de matériaux dangereux ou explosifs.**

**AVERTISSEMENT - POUR RÉDUIRE LES RISQUES D'INCENDIE, DE CHOC ÉLECTRIQUE OU DE BLESSURE CORPORELLE, RESPECTEZ LES INSTRUCTIONS SUIVANTES :**

1. L'installation et le branchement électrique doivent être réalisés par un technicien qualifié et conformément à tous les codes et normes en vigueur, incluant ceux concernant la construction à l'épreuve du feu.
2. Afin de garantir une combustion et une évacuation adéquates des gaz par les conduites de la cheminée des appareils à combustion, une bonne aération est nécessaire pour éviter le refoulement. Respectez les lignes directrices fournies par le fabricant du matériel chauffant, ainsi que les normes de sécurité comme celles publiées par la National Fire Protection Association (NFPA) et la American Society for Heating, Refrigeration and Air Conditioning Engineers (ASHRAE) aux États-Unis, ainsi que les codes en vigueur dans votre région.
3. Lorsque vous faites une ouverture ou percez dans un mur ou le plafond, veillez à ne pas endommager les fils électriques ou d'autres dispositifs cachés.
4. Les ventilateurs canalisés doivent toujours être raccordés à l'extérieur.

TOUTE OUVERTURE DANS LE MUR OU LE PLANCHER À PROXIMITÉ DE LA HOTTE DOIT ÊTRE SCELLÉE.

**Un espace libre d'au moins 24" est requis** entre le bas de la hotte et la surface de cuisson ou le comptoir. Cette hotte a été homologuée par l'UL à cette distance de la surface de cuisson.

L'espace libre minimal requis peut être plus grand, selon la réglementation en matière de construction de votre région. Pour les cuisinières à gaz et les cuisinières combinées, un espace minimal de 30" est recommandé et pourrait être exigé.

Les armoires suspendues de chaque côté de l'appareil doivent se trouver à au moins 18" de la surface de cuisson ou du comptoir. Consultez la notice d'installation de la surface de cuisson ou de la cuisinière fournie par le fabricant avant de pratiquer des ouvertures.

**INSTALLATION DANS UNE MAISON MOBILE** L'installation de cette hotte doit être conforme à la Partie 3280 de la norme Manufactured Home Construction and Safety Standards, Title 24 CFR (précédemment la partie 280 de la norme Federal Standard for Mobile Home Construction and Safety, Title 24, HUD). Consultez la fiche technique électrique.

### CRITÈRES DE VENTILATION

Déterminez quelle méthode de ventilation est mieux adaptée à votre application. Les conduits peuvent passer par le mur ou le toit.

Pour garantir une meilleure efficacité, la longueur des conduits et le nombre de coudes doivent être le plus limités que possible. Le diamètre des conduits devrait être uniforme. N'installez pas deux coudes ensemble. Utilisez un ruban pour canalisations afin de sceller tous les joints du système de conduits. Utilisez un cafeutreage pour sceller les ouvertures dans le mur extérieur ou le plancher, autour du clapet.

**Il n'est pas recommandé d'utiliser des conduits flexibles. Les conduits flexibles provoquent une contre-pression et de la turbulence qui diminuent grandement l'efficacité de l'appareil.**

Assurez-vous que l'espace libre dans le mur ou le plancher est suffisant pour le conduit d'évacuation avant de pratiquer les ouvertures. Ne coupez jamais une poutre ou un chevron, sauf si c'est absolument nécessaire. S'il s'avère nécessaire de couper une poutre ou un chevron, la construction d'un renforcement est requise.

**AVERTISSEMENT - Pour réduire le risque d'incendie, utilisez uniquement des conduits métalliques.**

**ATTENTION - Pour réduire le risque d'incendie et pour évacuer adéquatement l'air, assurez-vous de raccorder les conduits à l'extérieur – Ne diffusez pas l'air d'évacuation dans des espaces à l'intérieur des murs ou du plafond, ou encore à l'intérieur d'un grenier, d'une galerie technique ou d'un garage.**

### Installation dans les climats froids

Le système de ventilation doit prévoir un registre antirefoulement supplémentaire pour réduire le flux d'air froid inverse, ainsi qu'une barrière thermique non métallique pour réduire la conduction des températures extérieures. Le registre doit être installé du côté air froid par rapport à la barrière thermique. La barrière thermique doit être positionnée le plus près que possible de l'endroit où le système de ventilation pénètre dans la partie chauffée de la maison.



## AVERTISSEMENT

- Le système de ventilation **DOIT** déboucher à l'extérieur.
- **NE FAITES PAS** déboucher les conduits dans un grenier ou un autre endroit fermé.
- **N'UTILISEZ PAS** un clapet de sècheuse mural de 4 " .
- Il n'est pas recommandé d'utiliser des conduits flexibles.
- **N'ENTRAVEZ PAS** le flux de l'air de combustion et de ventilation.
- Le non-respect des exigences en matière de ventilation pourrait entraîner un incendie.

## FICHE TECHNIQUE ÉLECTRIQUE

Une alimentation de courant alternatif de 120 volts à 60 Hz est requise sur un circuit à fusible distinct de 15 ampères. Il est recommandé d'installer un fusible temporisé ou un disjoncteur. Le fusible doit être calibré conformément aux codes en vigueur pour les caractéristiques nominales électriques de l'appareil, indiquées sur la plaque signalétique située à l'intérieur de l'appareil, à proximité du compartiment des câblages externes.

### INSTALLATION ÉLECTRIQUE AVEC BOÎTIER DE CONNEXION

CET APPAREIL DOIT ÊTRE UNIQUEMENT BRANCHÉ À L'AIDE DE FILS DE CUIVRE. Le calibre des fils doit être conforme aux critères de la dernière édition du National Electrical Code, de l'ANSI/NFPA 70 et de l'ensemble des codes et réglementations en vigueur. Le calibre des fils et les connexions doivent être adaptés aux caractéristiques nominales de l'appareil. Il est possible de se procurer un exemplaire des normes indiquées ci-dessus en communiquant avec :

National Fire Protection Association  
Batterymarch Park  
Quincy, Massachusetts 02269 (États-Unis)

Cet appareil devrait être branché directement au sectionneur à fusible (ou au disjoncteur) par un câble flexible de cuivre avec blindage ou gaine non métallique. Laissez un peu de jeu dans le câble pour permettre le déplacement de l'appareil si des travaux d'entretien s'avéraient nécessaires. Un raccord de conduit homologué par l'UL de 1/2" doit être installé aux deux extrémités du câble d'alimentation (au niveau de l'appareil et de la boîte de liaison).

Lors de la réalisation du branchement électrique, réalisez un trou de 1 1/4" dans le mur. S'il s'agit d'un trou dans le bois, il doit être poncé pour le rendre lisse. S'il s'agit d'un trou dans le métal, un passe-fils est requis.



## AVERTISSEMENT

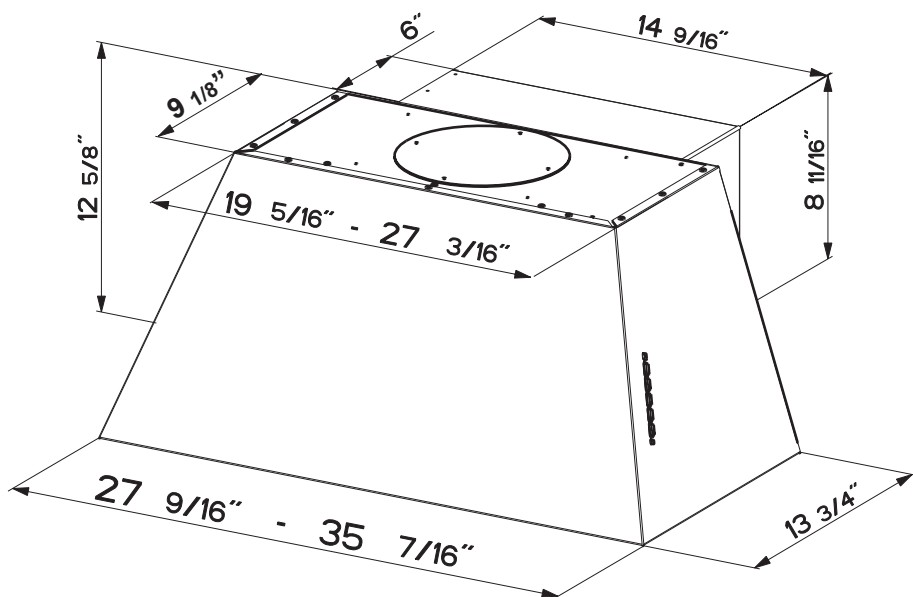
- Une mise à la terre électrique est requise pour cette hotte.
- N'UTILISEZ PAS un tuyau d'eau froide pour la mise à la terre si celui-ci est branché par des joints en plastique, par des rondelles non métalliques ou d'autres matériaux.
- N'UTILISEZ PAS une conduite de gaz pour la mise à la terre.
- N'INSTALLEZ PAS un fusible sur le circuit neutre ou le circuit de mise à la terre. La présence d'un fusible dans le circuit neutre ou de mise à la terre peut entraîner un choc électrique.
- Consultez un électricien qualifié si vous n'êtes pas certain de la mise à la terre de la hotte.
- Le non-respect des exigences de la fiche technique électrique pourrait entraîner un incendie.

### Avertissement de la proposition 65 de l'État de Californie (US seulement)

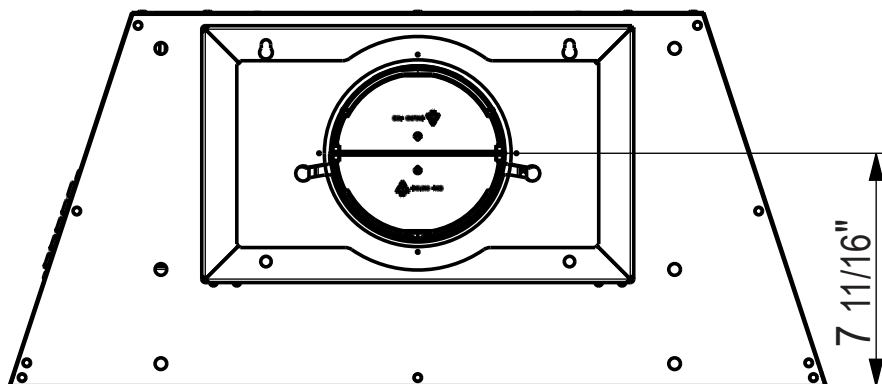
#### ATTENTION

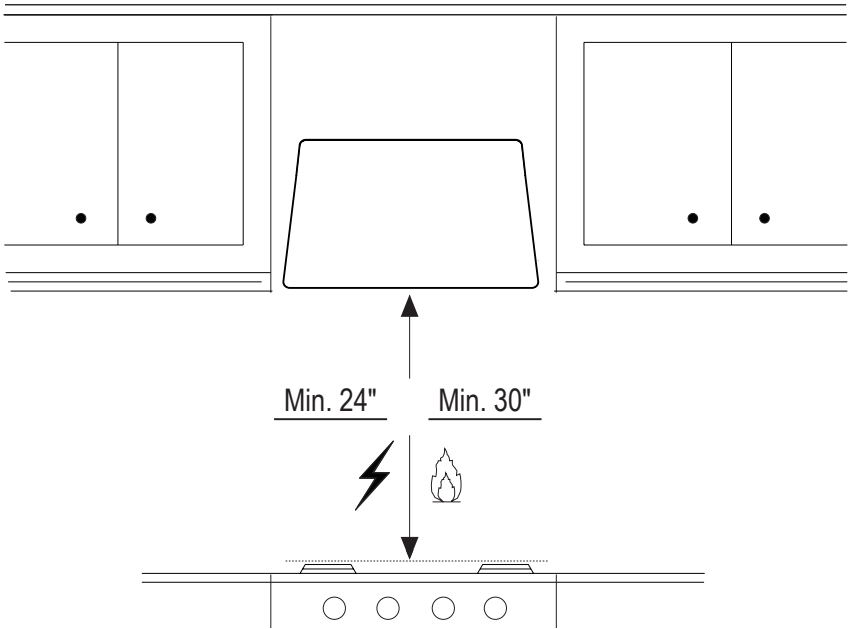
Ce produit contient des produits chimiques connus de l'État de Californie pour causer le cancer et des malformations congénitales ou d'autres problèmes de reproduction. Pour plus d'informations, visitez [www.P65Warnings.ca.gov](http://www.P65Warnings.ca.gov)

## DIMENSIONS DE LA HOTTE



**INSTALLATION AVEC VENTILATION CANALISÉE ARRIÈRE**  
(la hotte devrait être livrée avec cette configuration)



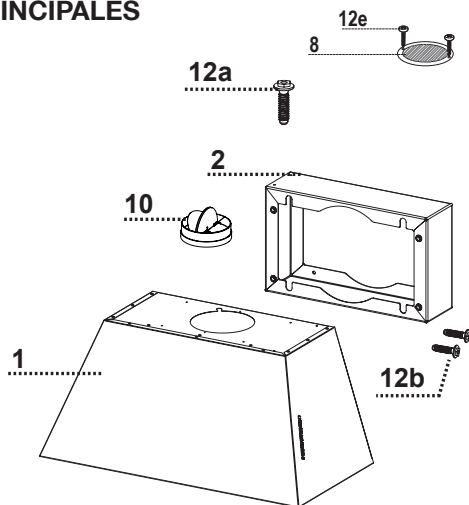




## PIÈCES PRINCIPALES

### Composants

Réf.	Qté	Composants du produit
1	1	Bâti de la hotte, avec : Commandes, éclairages, filtres, ventilateur.
2	1	section arrière
8	1	Grille d'évent de recyclage
10	1	Registre $\varnothing$ 5 7/8"
Réf.	Qté	Composants d'installation
12a	4	Vis 1/4" x 9/16"
12b	2	vis 1/8"x3/8" (pour montage du boîtier de connexion)
12e	2	Vis 1/8"x3/8" (pour recyclage pour montage de la grille de ventilation)
Qté	Documentation	
1	Mode d'emploi	



### Pièces requises

- Conduit métallique 6" circulaire.

### Accessoires disponibles

Trousse d'évent de recyclage - Filtre à charbon actif - no d'article FILTER1



Trousse de filtre à charbon longue durée lavable - no d'article FILTER1LL

Trousse de cheminée télescopique accessoire - Conduit de cheminée supérieur et inférieur pour ventilation canalisée ou avec recyclage no d'article CHIMCHBK - noir

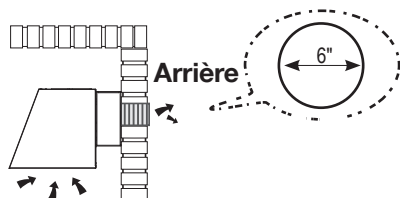
Télécommande sans fil accessoire - REMCTRL2

Réducteur de débit (600 à 400) - no d'article CFMRED-2

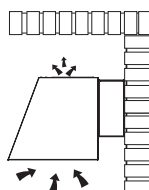
Réducteur de débit (600 à 300) - no d'article CFMRED

## Choisissez la méthode de canalisation

### Options d'installation avec ventilation canalisée



### Option sans canalisation, avec recyclage d'air



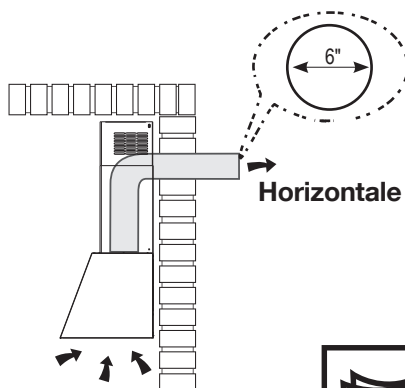
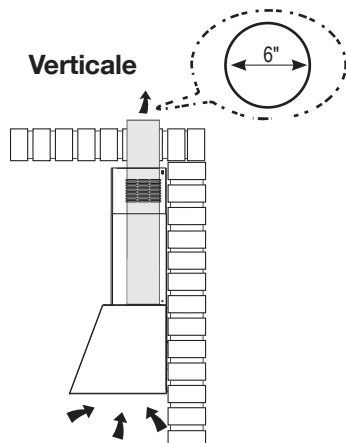
Exige l'achat de l'accessoire à charbon actif

Pour réduire le risque d'incendie ou de choc électrique, lorsque l'appareil est utilisé en mode recyclage, utiliser uniquement le modèle FILTER1 ou FILTER1LL en guise de trousse de conversion.



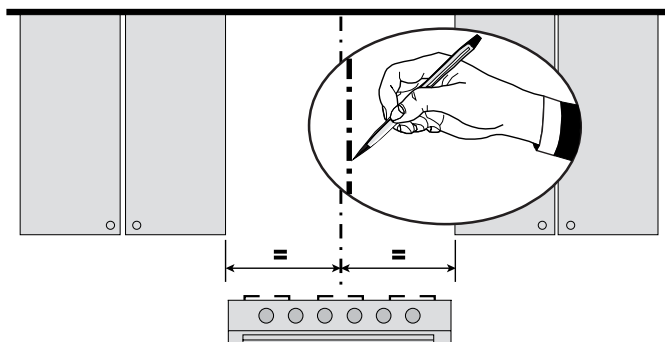
## Installation avec ventilation canalisée verticale et horizontale, avec la trousse de cheminée en option

L'achat de la cheminée accessoire est requis



## Notice d'installation

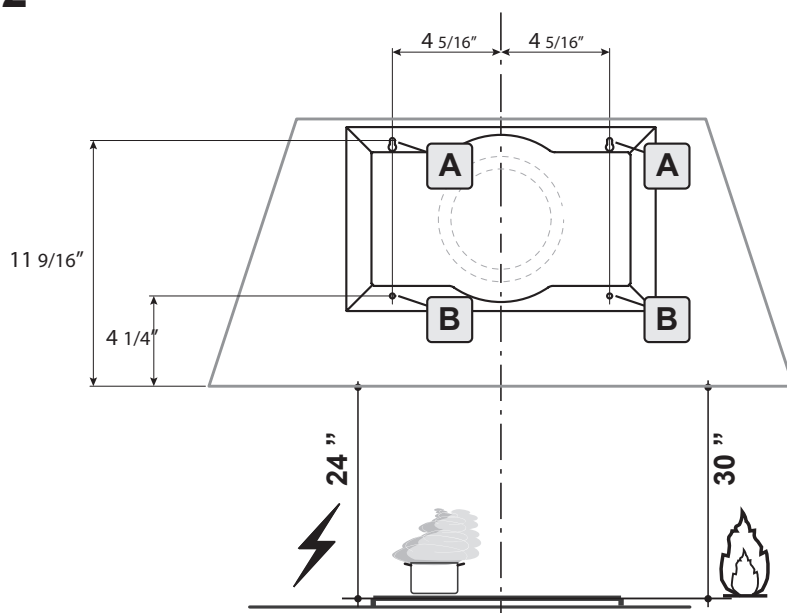
1



Tracez une ligne verticale sur le mur d'appui le plus haut que possible, au centre de l'emplacement où la hotte sera installée. Tracez une ligne horizontale à l'endroit correspondant au bas de la hotte comme représenté dans l'illustration. Cet emplacement doit se trouver à au moins 24" de la surface de cuisson, si elle est électrique, ou à 30" si elle est au gaz.

2

### Installation de la section arrière

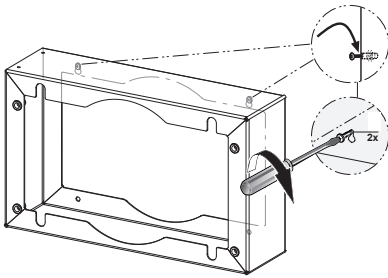


Tracez un repère sur le mur à l'endroit indiqué (A), 11 9/16" au-dessus de la ligne horizontale et à la distance de 4 5/16" à droite et à gauche de la ligne verticale. Vérifiez si les deux marques sont à égalité.

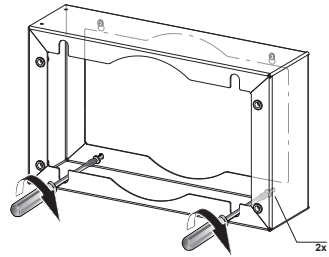
Insérez deux chevilles et les vis (achetées séparément) dans les trous (A) en laissant libre 1/4" des vis.

Tracez un repère sur le mur à l'endroit indiqué (B), 4 1/4" au-dessus de la ligne horizontale et à la distance de 4 5/16" à droite et à gauche de la ligne verticale. Vérifiez si les deux marques sont à égalité.

Insérez deux chevilles (achetées séparément).

**3**

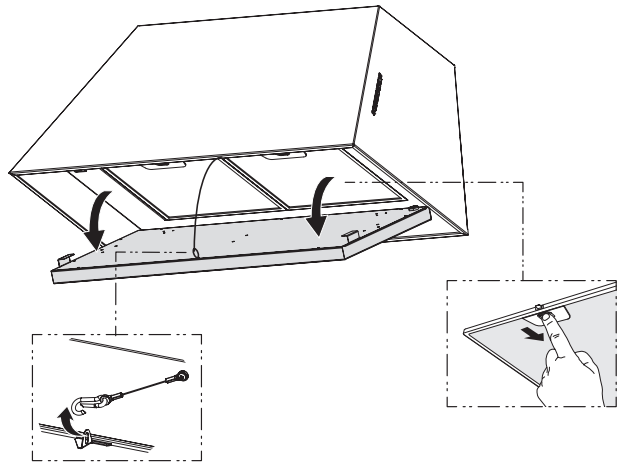
Engagez la section arrière sur les vis du haut, comme illustré sur l'image ci-dessus, et fixez-la fermement.

**4**

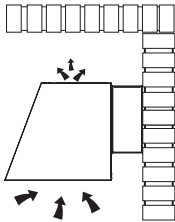
Depuis l'intérieur, vissez à fond les deux vis inférieures (achetées séparément).

**5**

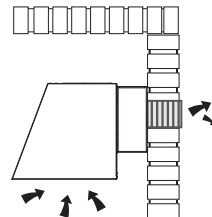
Ouvrez le panneau et dégagez le câble de retenue comme illustré. Retirez les filtres, en poussant simultanément le levier vers l'arrière de l'appareil et en le tirant vers le bas. Ne jetez pas les filtres, mais conservez-les pour plus tard.

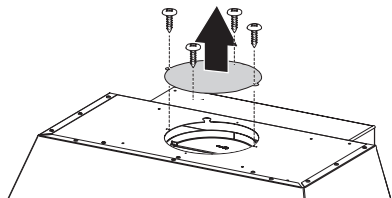


**Pour option sans canalisation, avec recyclage d'air**

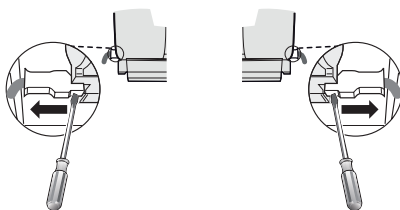


**Installation avec canalisation vers l'arrière**



**6**

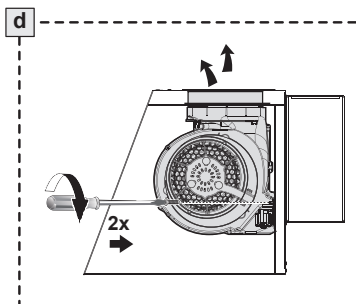
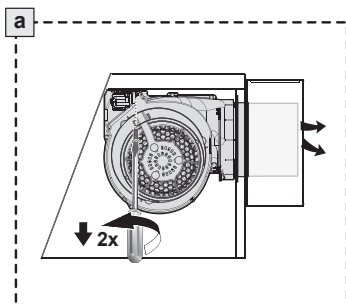
Retirez les 4 vis comme illustré et enlevez les plaques de recouvrement. Ne les jetez pas; gardez-les pour utilisation ultérieure.

**7**

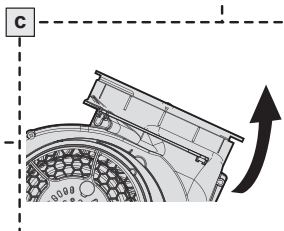
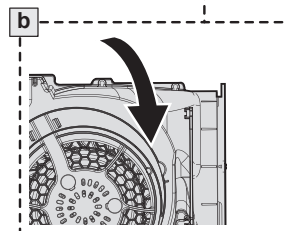
Depuis l'intérieur de la hotte, utilisez un tournevis à lame plate comme illustré pour débrancher les connecteurs de gauche et de droite du ventilateur.

**8**

Dévissez les 2 vis (Posi-Drive) qui retiennent le ventilateur et déverrouillez-le de sa position initiale, comme illustré sur l'image A.



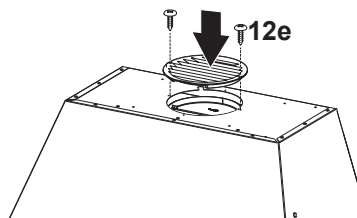
Après avoir retiré le ventilateur, tournez-le comme illustré jusqu'à qu'il se trouve dans la position correcte de ventilation arrière, comme illustré sur les images B-C.



Utilisez les deux vis qui ont été retirées pour fixer le ventilateur, comme illustré sur l'image D.

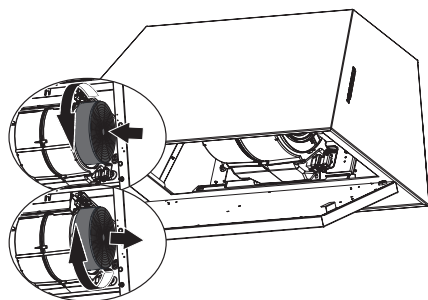
**9**

Fixez la grille d'évent de recyclage à l'aide de deux vis.



# 10

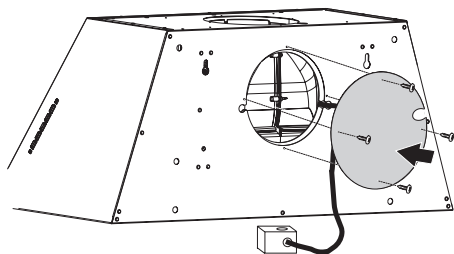
Fixez les filtres à charbon à la grille noire de chaque côté du ventilateur. Pressez fermement le filtre à charbon contre la grille noire de chaque côté du ventilateur et faites tourner le filtre dans le sens des aiguilles d'une montre (vers l'avant de la hotte) jusqu'à ce qu'il soit verrouillé en place. Faites tourner dans le sens contraire des aiguilles d'une montre (vers l'arrière de la hotte) pour l'enlever.



Filter à charbon actif accessoire requis - no d'article - FILTER1 (acheté séparément).  
Filter à charbon longue durée lavable - no d'article FILTER1LL

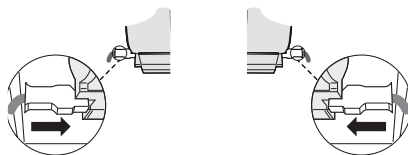


# 11



Fixez la plaque de recouvrement à l'aide des 4 vis retirées précédemment et faites passer le fil du boîtier de connexion à l'extérieur du bâti de la hotte par l'encoche de la plaque de recouvrement.

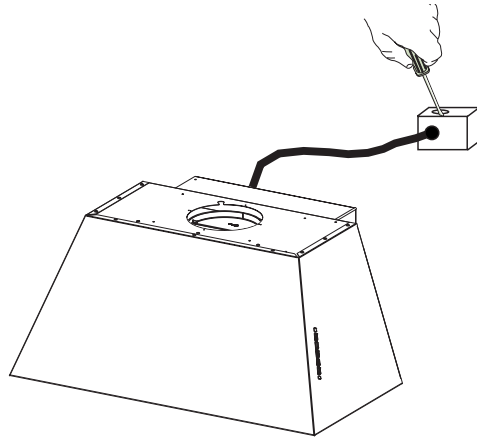
# 12



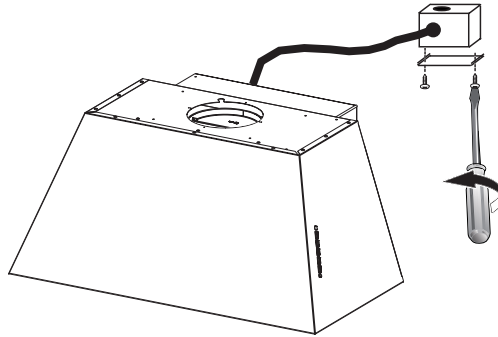
Depuis l'intérieur de la hotte, rebranchez les connecteurs de gauche et de droite illustrés sur l'image ci-dessus.

# 13

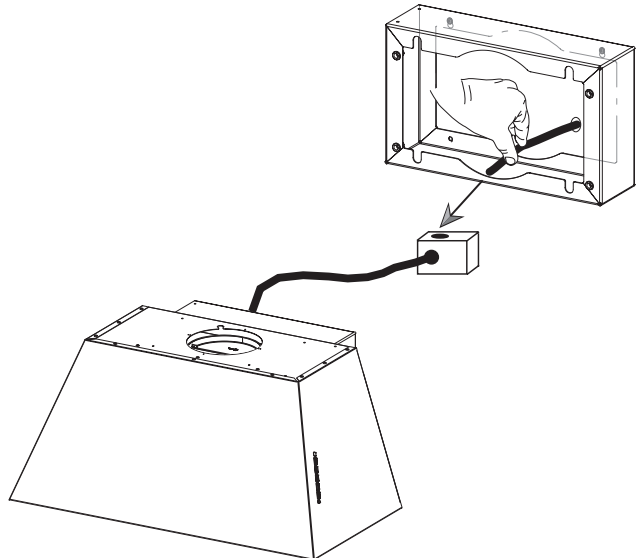
Défoncez l'orifice du boîtier de connexion pour brancher le câble reliant la hotte à l'alimentation.

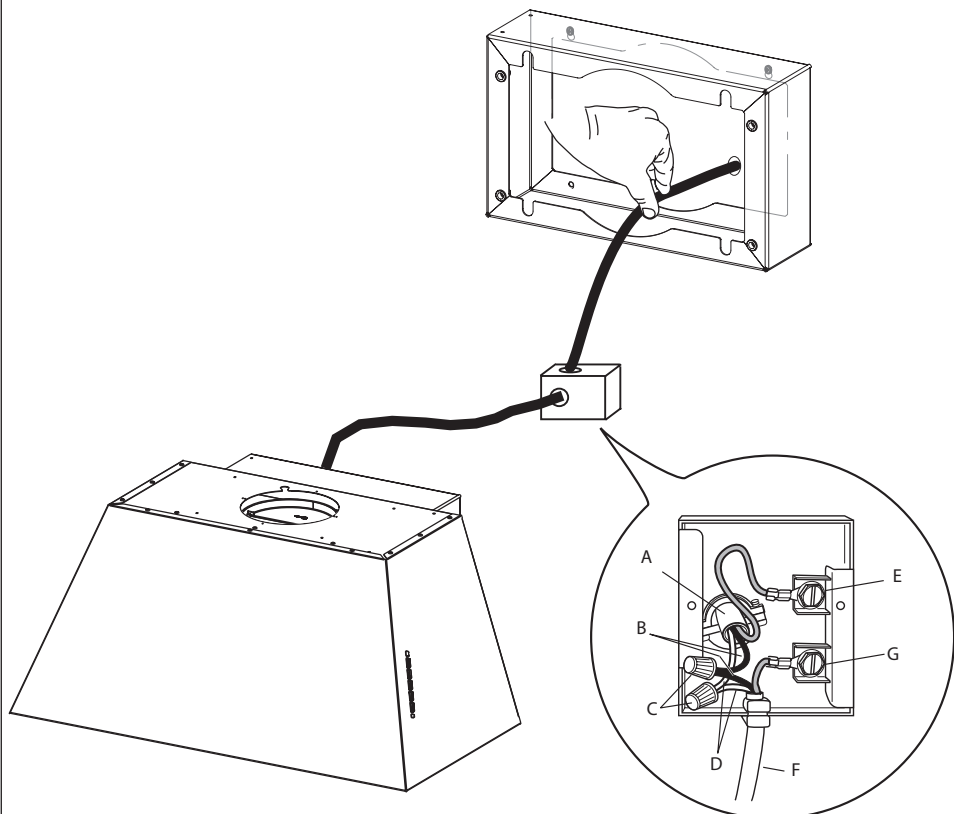


Retirez le couvercle du compartiment du boîtier de connexion en dévissant les deux vis.



Tirez le câble de l'alimentation par le trou permettant le raccord électrique du boîtier de connexion.





### Réalisation des branchements

Retirez le couvercle du compartiment des câblages externes.

**NE METTEZ PAS** l'alimentation sous tension avant d'avoir terminé l'installation!

Branchez le câble d'alimentation à la hotte.

Branchez le fil vert (vert et jaune) de mise à la terre sous la vis de mise à la terre verte. Branchez le fil blanc de l'alimentation au fil blanc de la hotte à l'aide d'un connecteur verrouillé par rotation.

Branchez le fil noir de l'alimentation au fil noir de la hotte à l'aide d'un connecteur verrouillé par rotation.

Remettez en place le couvercle du compartiment des câblages externes.

**A. Câble d'alimentation du réseau domestique**

**B. Fils noirs**

**C. Serre-fils homologué UL**

**D. Fils blancs**

**E. Fil de mise à la terre vert (ou fil nu) de l'alimentation domestique branché à la vis de mise à la terre verte**

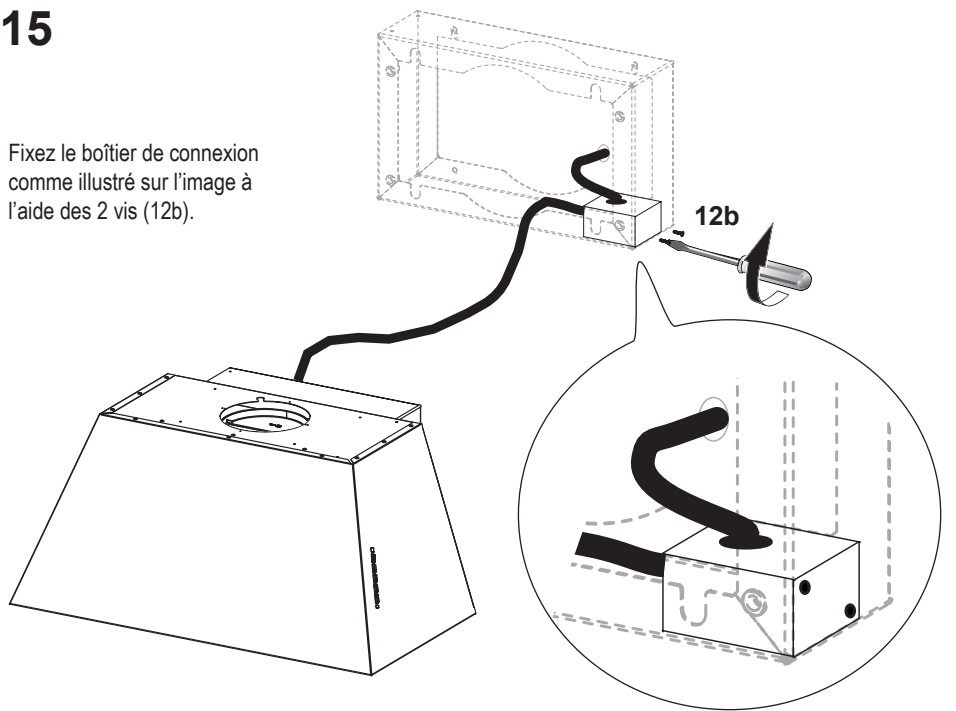
**F. Câble d'alimentation de la hotte**

**G. Fil de mise à la terre vert du câble d'alimentation de la hotte branché à la vis de mise à la terre verte.**



# 15

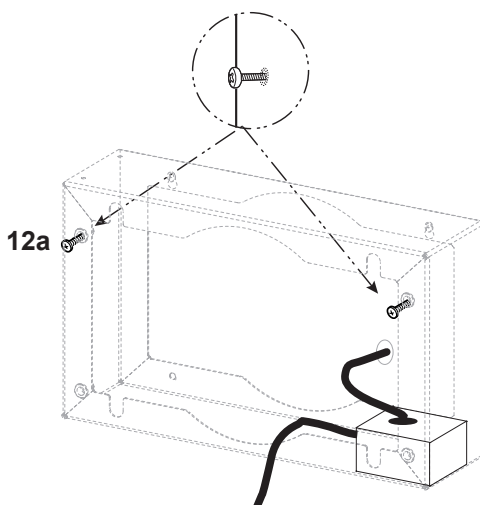
Fixez le boîtier de connexion comme illustré sur l'image à l'aide des 2 vis (12b).



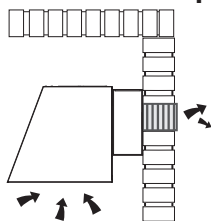
**Attention** : Après l'installation du boîtier de connexion, placez le câble dans une section arrière, sans contrainte sur le câble.

# 16

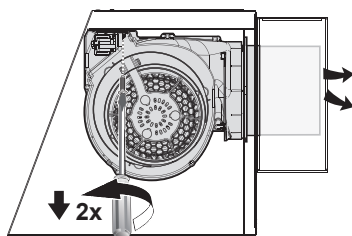
Vissez les deux vis 12a dans la section arrière en laissant 1/4" de la tête des vis libre.



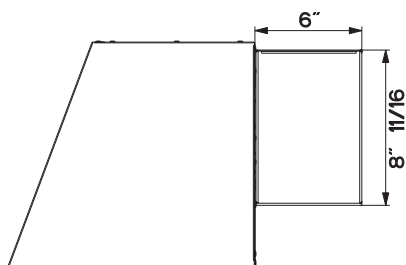
## Pour l'installation avec canalisation arrière uniquement



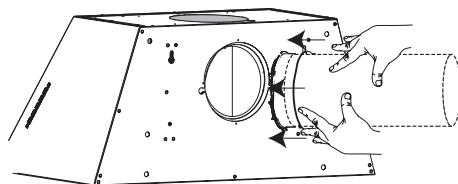
Avant de fixer le bâti de la hotte sur la section arrière, dévissez les 2 vis fixant le ventilateur. Cette mesure simplifiera le raccord de la canalisation de sortie d'air.



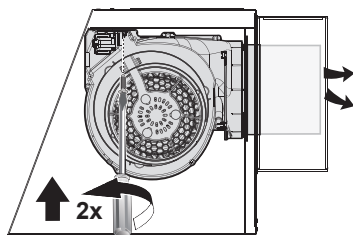
Utilisez ce plan dimensionnel pour vous aider à planifier le raccord des canalisations.



Raccordez le dispositif aux canalisations du plafond ou du mur.

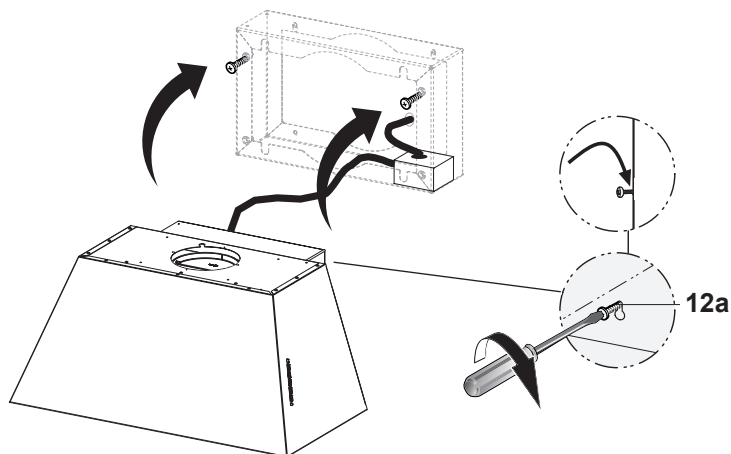


Après avoir fixé le bâti de la hotte à la section arrière, fixez le ventilateur dans sa position précédente avec les 2 mêmes vis.



# 17

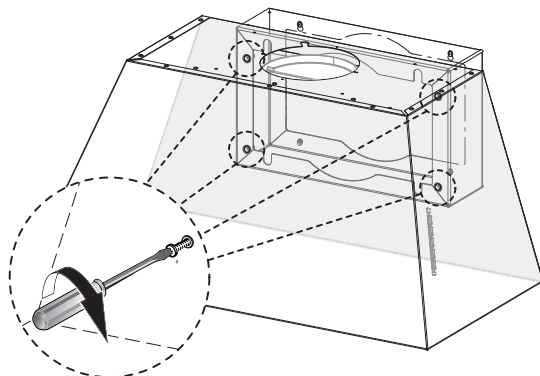
Engagez le bâti de la hotte sur les vis du haut (12a) de la section arrière montée, puis vissez-les fermement.



# 18

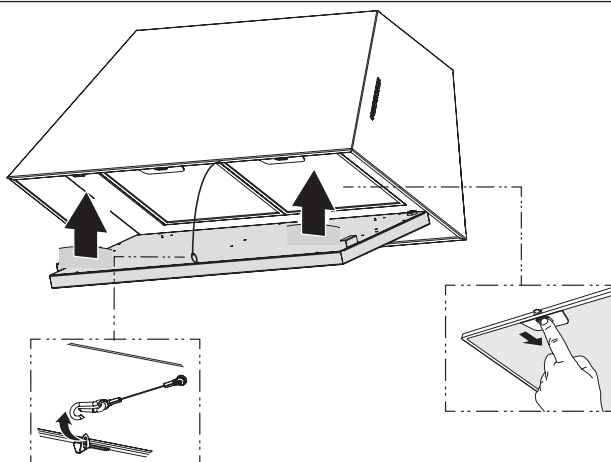
Fixez complètement le bâti de la hotte sur la section arrière en installant les deux vis 12a restantes dans les deux trous inférieurs sur la section arrière.

Vissez les 4 vis.

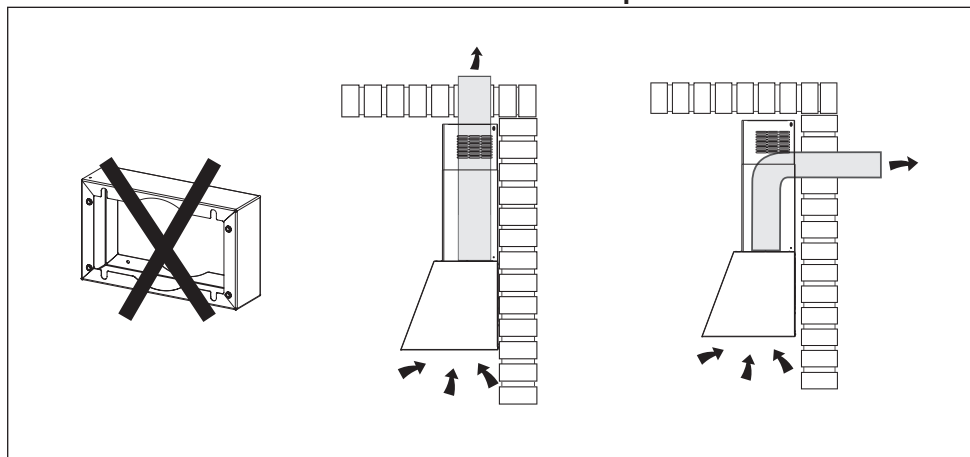


# 19

Remettez les filtres en place dans la hotte et verrouillez le câble de retenue comme illustré dans l'image à droite. Refermez le panneau.

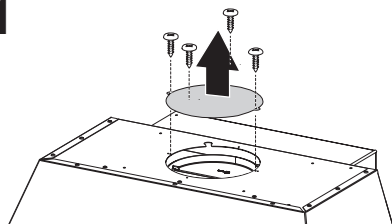


## Installation avec ventilation canalisée verticale et horizontale, avec la trousse de cheminée en option



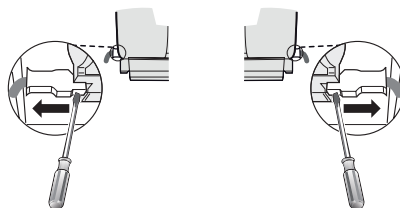
## Installation avec la trousse de cheminée en option - Préparation de la hotte

1



Retirez les 4 vis comme illustré et enlevez les plaques de recouvrement. Ne les jetez pas; gardez-les pour utilisation ultérieure.

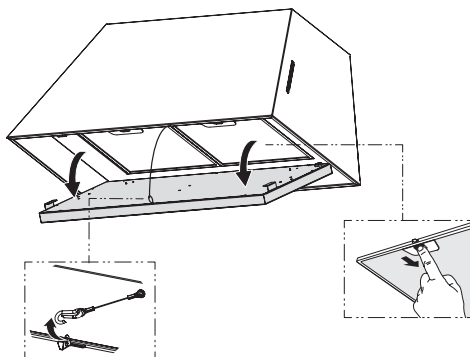
2



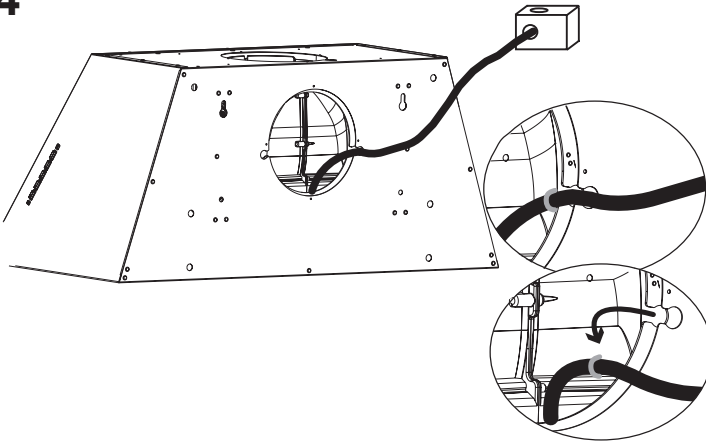
Depuis l'intérieur de la hotte, utilisez un tournevis à lame plate comme illustré pour débrancher les connecteurs de gauche et de droite du ventilateur.

3

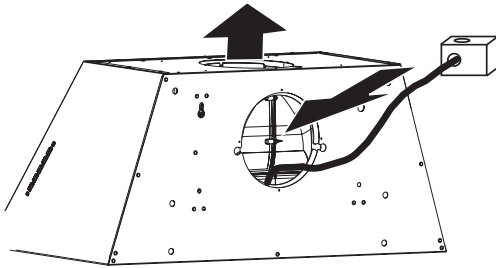
Ouvrez le panneau et dégagez le câble de retenue comme illustré. Retirez les filtres, en poussant simultanément le levier vers l'arrière de l'appareil et en le tirant vers le bas. Ne jetez pas les filtres, mais conservez-les pour plus tard.



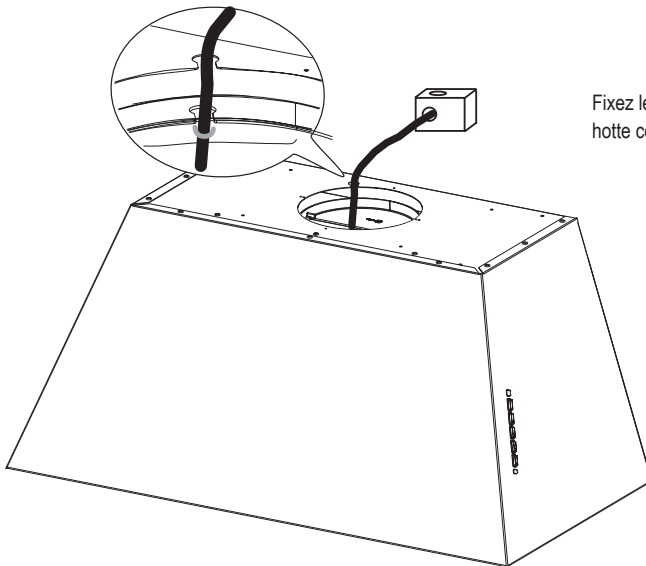
4



Tirez le câble du trou arrière.

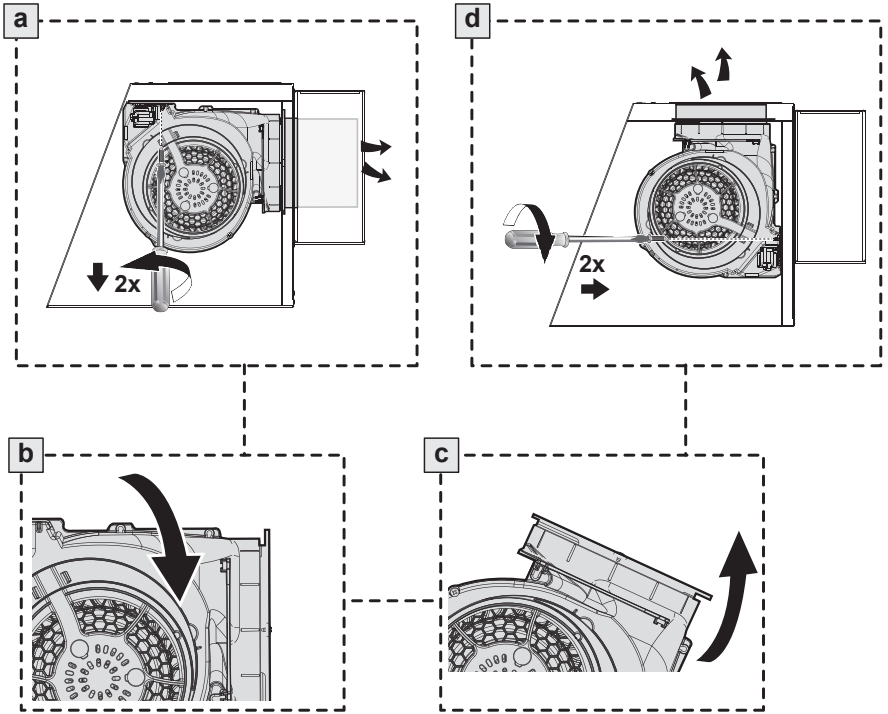


Déplacez le câble de l'arrière de la hotte vers le haut de la hotte.



Fixez le câble dans le trou du haut de la hotte comme illustré.

# 5



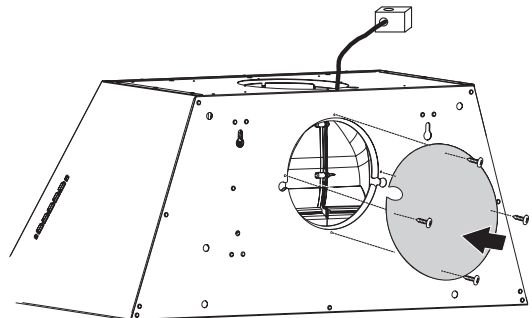
Dévissez les 2 vis qui retiennent le ventilateur et déverrouillez-le de sa position initiale, comme illustré sur l'image A.

Après avoir retiré le ventilateur, tournez-le comme illustré jusqu'à qu'il se trouve dans la position correcte de ventilation arrière, comme illustré sur les images B-C.

Utilisez les deux vis (Posi-Drive) qui ont été retirées pour fixer le ventilateur, comme illustré sur l'image D.

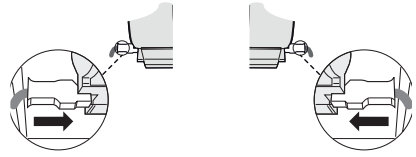
# 6

Remettez en place la plaque de recouvrement comme illustré à l'aide des vis enlevées précédemment.



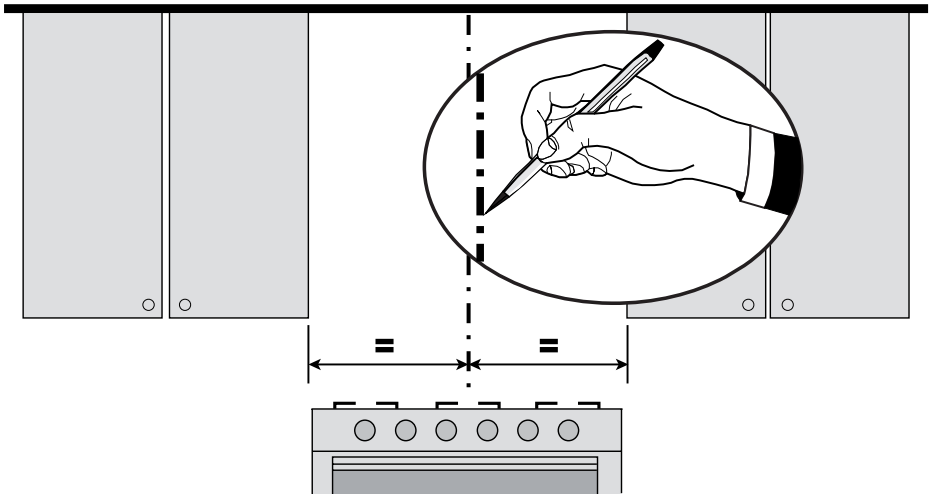
# 7

Depuis l'intérieur de la hotte, rebranchez les connecteurs de gauche et de droite illustrés sur l'image ci-dessus.



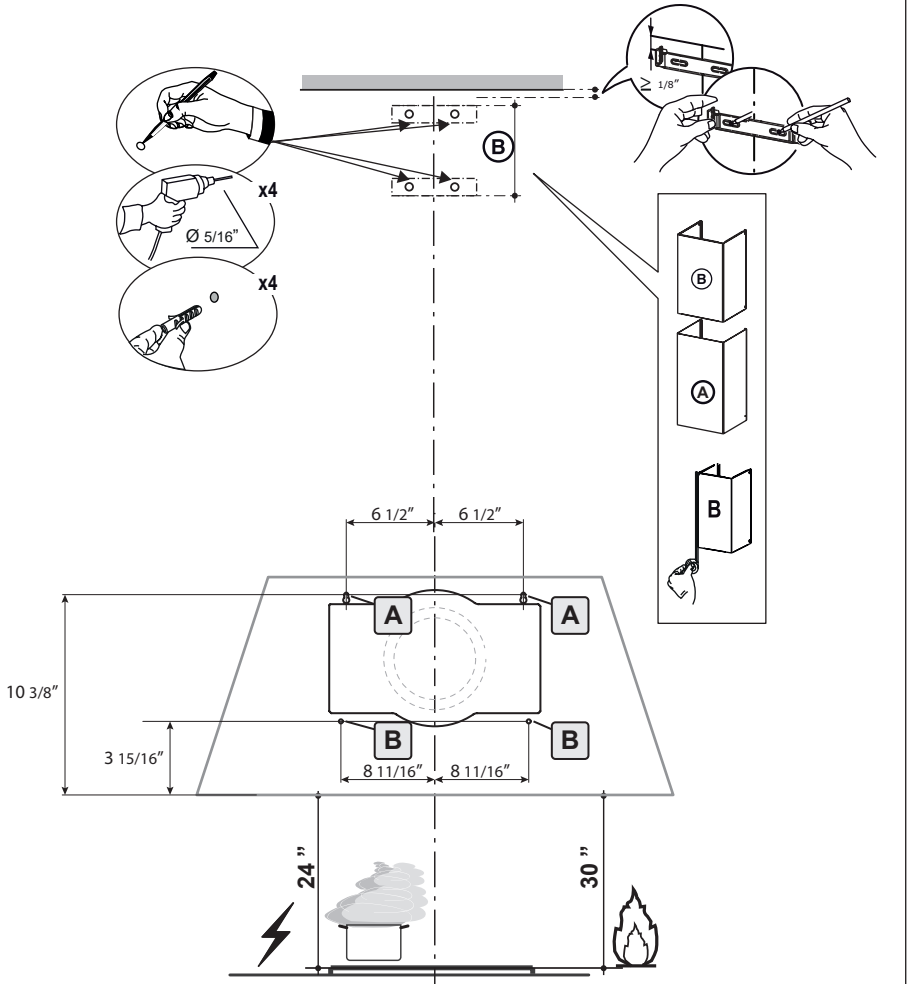
## Installation avec la trousse de cheminée en option - Préparation du mur

# 8



Tracez une ligne verticale sur le mur d'appui le plus haut que possible, au centre de l'emplacement où la hotte sera installée. Tracez une ligne horizontale à l'endroit correspondant au bas de la hotte comme représenté dans l'illustration. Cet emplacement doit se trouver à au moins 24" de la surface de cuisson, si elle est électrique, ou à 30" si elle est au gaz.

# 9



Tracez un repère sur le mur à l'endroit indiqué (A), 10 3/8" au-dessus de la ligne horizontale et à une distance de 6 1/2" à droite et à gauche de la ligne verticale. Vérifiez si les deux marques sont à égalité.

Insérez deux chevilles et deux vis dans les trous comme illustré et non complètement (achetées séparément).

Tracez un repère sur le mur à l'endroit indiqué (B), 3 15/16" au-dessus de la ligne horizontale et à une distance de 8 11/16" à droite et à gauche de la ligne verticale. Vérifiez si les deux marques sont à égalité.

Insérez deux chevilles (achetées séparément).

Placez une bride 7.2.1 sur le mur comme illustré, à environ 1/8" du plafond ou de la limite supérieure, en alignant le centre (encoche) avec la ligne de référence verticale. Marquez l'emplacement du centre des trous du support sur le mur.

Placez la deuxième bride 7.2.1 sur le mur comme illustré, sous la première bride, à la hauteur de la section supérieure de la cheminée fournie et alignez son centre (l'encoche) avec la ligne verticale.

Marquez l'emplacement du centre des trous de la bride sur le mur et percez des trous de  $\varnothing$  5/16" comme illustré.

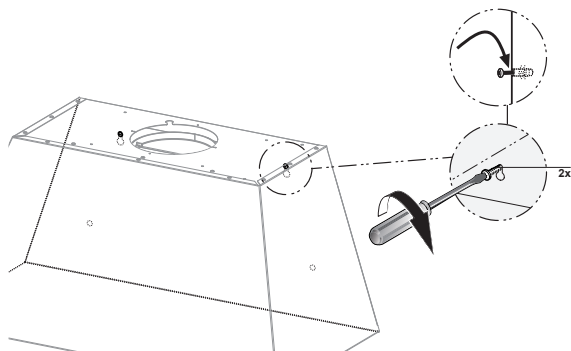
Les vis d'installation fournies pour les brides doivent être renforcées par des chevilles (achetées séparément).



## Installation avec la trousse de cheminée en option

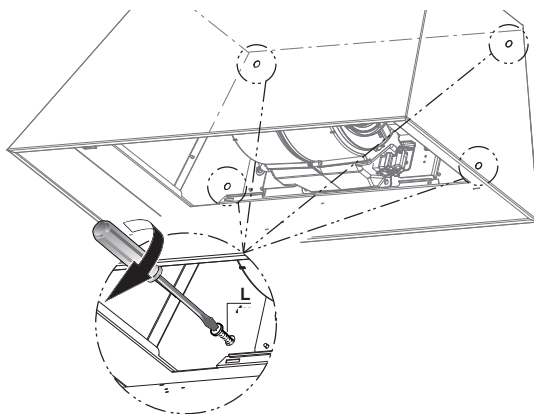
### 10

Engagez et fixez le bâti de la hotte sur le mur.



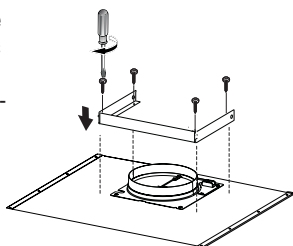
### 11

Depuis l'intérieur, vissez à fond les 4 vis 12a.



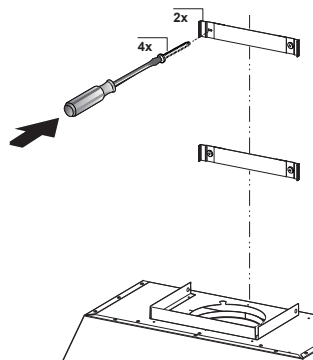
### 12

Utilisez les quatre vis (incluses avec la trousse de cheminée télescopique en option) pour fixer l'étrier d'assemblage.

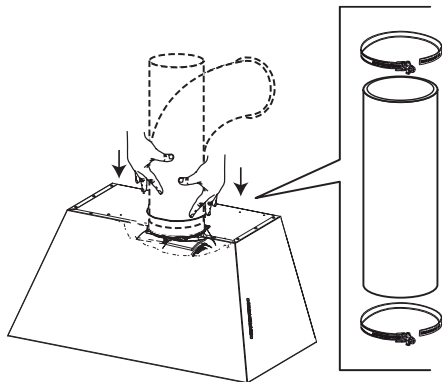
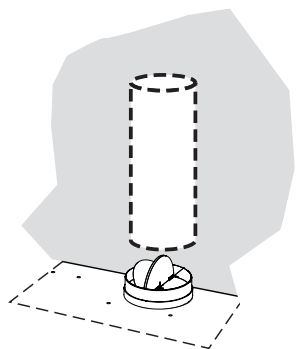


### 13

Fixez l'étrier à l'aide des vis incluses avec la trousse de cheminée télescopique en option.

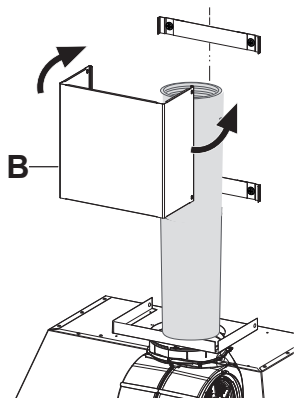


# 14



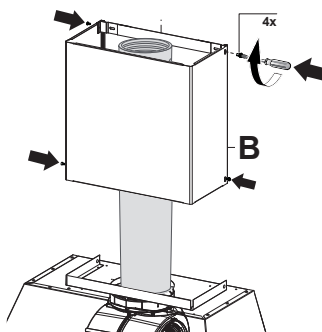
Installez le clapet de toiture ou le clapet mural acheté séparément. Raccordez le conduit métallique de 6" au clapet de toiture ou au clapet mural, puis raccordez les conduits.

# 15



Écartez légèrement les deux côtés de la cheminée supérieure et engagez-les à l'arrière des brides, en vous assurant qu'ils sont solidement ancrés.

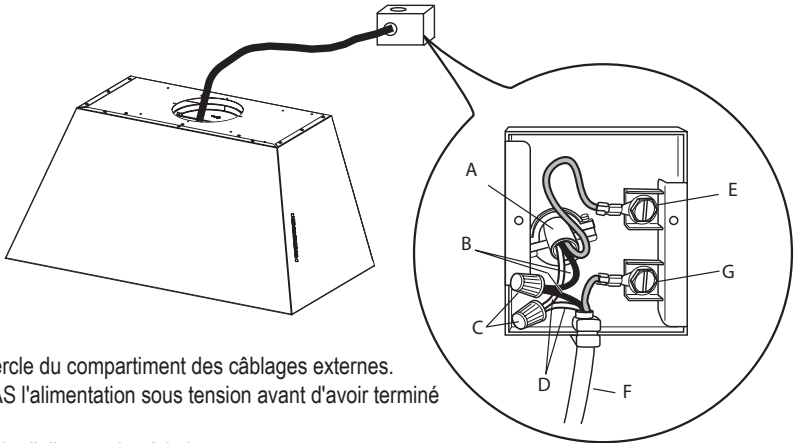
# 16



Fixez les côtés aux brides à l'aide des 4 vis.

# 17

## Réalisation des branchements



Retirez le couvercle du compartiment des câblages externes.  
NE METTEZ PAS l'alimentation sous tension avant d'avoir terminé l'installation!

Branchez le câble d'alimentation à la hotte.

Branchez le fil vert (vert et jaune) de mise à la terre sous la vis de mise à la terre verte. Branchez le fil blanc de l'alimentation au fil blanc de la hotte à l'aide d'un connecteur verrouillé par rotation.

Branchez le fil noir de l'alimentation au fil noir de la hotte à l'aide d'un connecteur verrouillé par rotation. Remettez en place le couvercle du compartiment des câblages externes.

**A. Câble d'alimentation du réseau domestique**

**B. Fils noirs**

**C. Serre-fils homologué UL**

**D. Fils blancs**

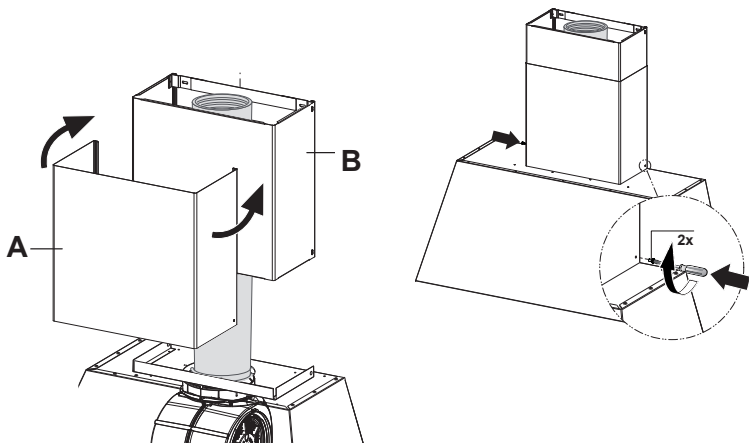
**E. Fil de mise à la terre vert (ou fil nu) de l'alimentation domestique branché à la vis de mise à la terre verte**

**F. Câble d'alimentation de la hotte**

**G. Fil de mise à la terre vert du câble d'alimentation de la hotte branché à la vis de mise à la terre verte.**

# 18

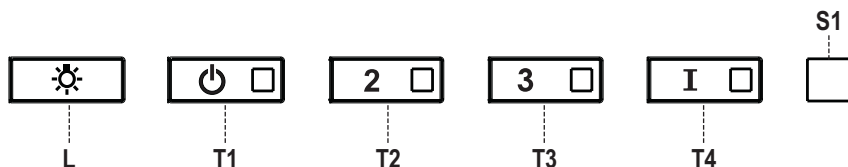
Écartez légèrement les deux côtés de la section inférieure et assemblez-les entre la section supérieure et le mur, en vous assurant qu'ils sont correctement installés.



## INFORMATIONS POUR L'UTILISATION ET L'ENTRETIEN

### Pour de meilleurs résultats

Activez la hotte quelques minutes avant de commencer à cuisiner pour créer un flux d'air adéquat. Laissez la hotte fonctionner quelques minutes après avoir fini de cuisiner pour absorber toute la fumée et les odeurs de la cuisine.



Bouton	Fonction	DEL
<b>L</b>	Allume/Éteint l'éclairage à la puissance maximale.	-
	Appuyez sur le bouton et tenez-le enfoncé pendant environ 2 secondes pour allumer/éteindre progressivement l'éclairage.	-
<b>T1</b>	Allume et éteint le moteur à la vitesse un.	-
<b>T2</b>	Allume le moteur à la vitesse deux.	-
	Appuyez sur ce bouton et tenez-le enfoncé pendant environ 5 secondes, lorsque tous les dispositifs sont éteints (moteur et éclairage), pour activer l'alarme du filtre à charbon actif. Le témoin DEL approprié clignote deux fois pour confirmer. Pour éteindre l'alarme, appuyez de nouveau sur le bouton et tenez-le enfoncé pendant au moins 5 secondes. Le témoin DEL approprié clignote une fois.	Clignotant
<b>T3</b>	Allume le moteur à la vitesse trois.	-
	Appuyez sur ce bouton et tenez-le enfoncé pendant environ 3 secondes, lorsque tous les dispositifs sont éteints (moteur et éclairage), pour réinitialiser. Le témoin DEL S1 clignote trois fois.	Clignotant
<b>T4</b>	Allume le moteur à la vitesse INTENSIVE. Cette vitesse est programmée pour fonctionner pendant 6 minutes. Après ce délai, le système retournera automatiquement à la vitesse sélectionnée précédemment. Si cette modalité est activée tandis que le moteur est éteint, la hotte s'éteindra après le délai.	-
	Appuyez sur ce bouton et tenez-le enfoncé pendant 5 secondes pour activer la télécommande; le témoin DEL clignotera deux fois.	Clignotant
	Appuyez sur ce bouton et tenez-le enfoncé pendant 5 secondes pour désactiver la télécommande; le témoin DEL clignotera une seule fois.	
<b>S1</b>	L'alarme de saturation du filtre à graisse métallique signale qu'il est nécessaire de nettoyer les filtres. L'alarme s'active lorsque la hotte a été en fonction pendant 100 heures.	Fixe
	Lorsqu'elle est activée, l'alarme de saturation du filtre à charbon actif signale que le filtre doit être changé. Les filtres à graisse métalliques doivent également être nettoyés. L'alarme de saturation du filtre à charbon actifs s'active lorsque la hotte a été en fonction pendant 200 heures.	Clignotant

## Nettoyage des filtres à graisse métalliques

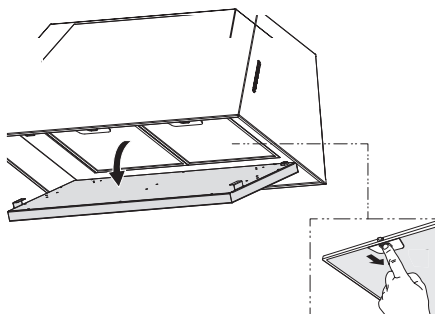
Ils peuvent être lavés dans le lave-vaisselle et doivent être nettoyés lorsque le témoin DEL S1 s'allume ou au moins une fois tous les 2 mois d'usage, ou encore plus fréquemment en cas d'utilisation particulièrement intensive.

### Réinitialisation du signal d'alarme

- Éteint l'éclairage et le moteur d'aspiration.
- Appuyez sur T3 et tenez-le enfoncé pendant au moins 3 secondes, jusqu'à ce que le témoin DEL clignote 3 fois pour confirmer.

### Nettoyage

- Retirez le filtre, en poussant simultanément le levier vers l'arrière de l'appareil et en le tirant vers le bas.
- Lavez le filtre sans le plier. Laissez-le sécher complètement avant de le réinstaller (un changement de la couleur à la surface du filtre au fil du temps n'a aucun impact sur son efficacité).
- Remettez-le en place, en vous assurant que la poignée se trouve vers l'avant.
- Aucune eau ne peut être présente dans les filtres avant la réinstallation dans la hotte.



## Remplacement du filtre à charbon actif

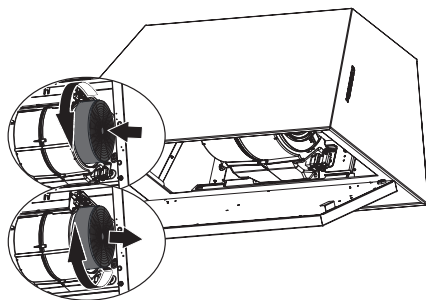
Il ne peut être lavé ni régénéré, et doit être changé lorsque le témoin DEL S1 commence à clignoter, ou au moins une fois tous les 4 mois. Si le signal d'alarme a été activé, il apparaît uniquement lorsque le moteur d'aspiration est activé.

### Réinitialisation du signal d'alarme

- Éteint l'éclairage et le moteur d'aspiration.
- Appuyez sur T3 et tenez-le enfoncé pendant au moins 3 secondes, jusqu'à ce que le témoin DEL clignote 3 fois pour confirmer.

### Nettoyage

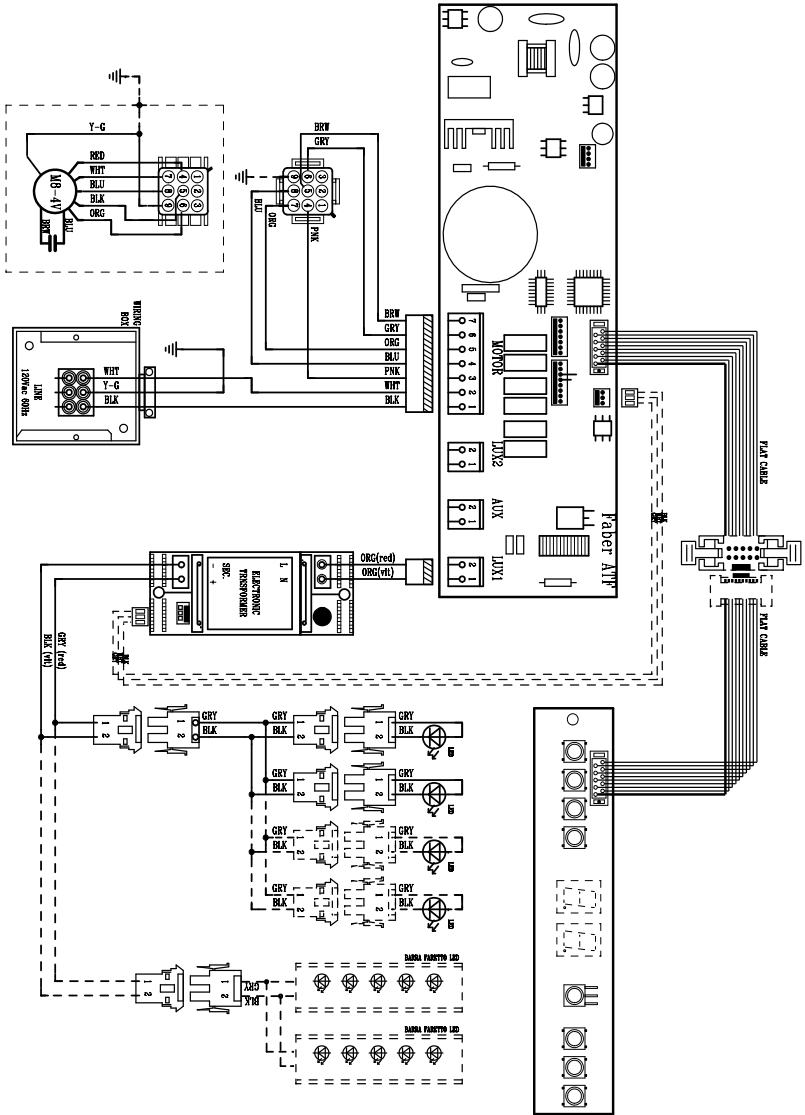
- Enlevez le filtre à charbon en le faisant tourner dans le sens des aiguilles d'une montre (vers l'arrière) jusqu'à ce qu'il se dégage du carter du moteur, puis en le tirant vers le côté.
- Pour réinsérer les filtres à charbon, placez-les sur le côté du ventilateur et poussez-les vers l'intérieur. Tournez ensuite le filtre à charbon dans le sens des aiguilles d'une montre (vers l'avant) jusqu'à ce qu'il soit bien installé.
- **ATTENTION:** Pour réduire le risque d'incendie ou de choc électrique lorsque l'appareil est utilisé en mode recyclage, utilisez uniquement le modèle FILTER 1 ou FILTER1LL en guise de trousse de conversion.



## Système D'éclairage À Del

- Les ampoules DEL doivent être remplacées par un service d'entretien autorisé Faber.

# Schéma de câblage





## FABER CONSUMER WARRANTY & SERVICE

All Faber products are warranted against any defect in materials or workmanship for the original purchaser for a period of 1 year from the date of original purchase (requires proof of purchase). This warranty covers labor and replacement parts. Faber, at its option, may repair or replace the product or components necessary to restore the product to good working condition. To obtain warranty service, contact the dealer from whom you purchased the range hood, or the local Faber distributor. If you cannot identify a local Faber distributor, contact us at (508) 358-5353 for the name of a distributor in your area.

**The following is not covered by Faber's warranty:**

1. Service calls to correct the installation of your range hood, to instruct you how to use your range hood, to replace or repair house fuses or to correct house wiring or plumbing.
2. Service calls to repair or replace range hood light bulbs, fuses or filters. Those consumable parts are excluded from warranty coverage.
3. Repairs when your range hood is used for other than normal, single-family household use.
4. Damage resulting from accident, alteration, misuse, abuse, fire, flood, acts of God, improper installation, installation not in accordance with electrical or plumbing codes or Faber documentation, or use of products not approved by Faber.
5. Replacement parts or repair labor costs for units operated outside the United States or Canada, including any non-UL or C-UL approved Faber range hoods.
6. Repairs to the hood resulting from unauthorized modifications made to the range hood.
7. Expenses for travel and transportation for product service in remote locations and pickup and delivery charges. Faber range hoods should be serviced in the home.

THIS WARRANTY DOES NOT ALLOW RECOVERY OF INCIDENTAL OR CONSEQUENTIAL DAMAGES, INCLUDING, WITHOUT LIMITATION, DIRECT, INDIRECT, INCIDENTAL, SPECIAL OR CONSEQUENTIAL DAMAGES, PERSONAL INJURY/WRONGFUL DEATH OR LOST PROFITS. FABER WARRANTY IS LIMITED TO THE ABOVE CONDITIONS AND TO THE WARRANTY PERIOD SPECIFIED HEREIN AND IS EXCLUSIVE. EXCEPT AS EXPRESSLY SPECIFIED IN THIS AGREEMENT, FABER DISCLAIMS ALL EXPRESS OR IMPLIED CONDITIONS, REPRESENTATIONS, AND WARRANTIES INCLUDING, WITHOUT LIMITATION, ANY IMPLIED WARRANTIES OF MERCHANTABILITY OR FITNESS FOR A PARTICULAR PURPOSE.

This warranty gives you specific legal rights that may vary from state to state.

Model#: \_\_\_\_\_

Serial #: \_\_\_\_\_

January 4, 2016

## **LEA Y GUARDE ESTAS INSTRUCCIONES ANTES DE EMPEZAR LA INSTALACIÓN DE ESTA CAMPANA**

**ADVERTENCIA: - PARA REDUCIR EL RIESGO DE INCENDIO DE GRASA:**

- A) Nunca deje las unidades de superficie desatendidas en los ajustes altos. Los derrames por ebullición pueden causar humos y derrames de grasa que pueden encenderse. Caliente los aceites lentamente en un ajuste bajo o medio.
- B) Siempre encienda la campana cuando cocine a fuego alto o al flambear alimentos (por ejemplo, Crepes Suzette, Cherries Jubilee, Peppercorn Beef Flambé).
- C) Limpie los ventiladores frecuentemente. No se debe permitir que la grasa se acumule en el ventilador o en el filtro.
- D) Utilice una cacerola de tamaño adecuado. Utilice siempre utensilios de cocina apropiados para el tamaño del elemento de superficie.

**ADVERTENCIA: - PARA REDUCIR EL RIESGO DE LESIONES A PERSONAS EN CASO DE INCENDIO DE GRASA EN LA CAMPANA, TENGA EN CUENTA LO SIGUIENTE\*:**

- A) **APAGUE LAS LLAMAS** con una tapa bien cerrada, una bandeja para galletas o una bandeja metálica, luego apague el quemador. **TENGA CUIDADO PARA EVITAR QUEMADURAS.** Si las llamas no salen inmediatamente **EVACUE Y LLAME A LOS BOMBEROS.**
- B) **NUNCA RECOGER UNA CACEROLA EN LLAMAS** - Usted puede ser quemado.
- C) **NO USE AGUA**, incluyendo toallas húmedas o toallas - se pudiera producir una violenta explosión de vapor.
- D) Use un extintor **SOLAMENTE** si:
  - 1. Usted sabe que usted tiene un extintor de la clase ABC, y sabe ya utilizarlo.
  - 2. El incendio es pequeño y está contenido en el área donde comenzó.
  - 3. Se está llamando a los bomberos.
  - 4. Usted puede luchar el fuego con la espalda dirigida hacia una salida.

\* Basado en "Consejos para luchas contra los incendios en las cocinas" publicado por NFPA

**ADVERTENCIA - PARA REDUCIR EL RIESGO DE DESCARGAS ELÉCTRICAS O INCENDIOS**, no use este ventilador con ningún dispositivo de control de velocidad de estado.

**ADVERTENCIA - PARA REDUCIR EL RIESGO DE INCENDIOS, DESCARGAS ELÉCTRICAS O LESIONES PERSONALES, OBSERVE LO SIGUIENTE:**

- 1. Utilice esta unidad sólo en la forma prevista por el fabricante. Si tiene alguna pregunta, póngase en contacto con el fabricante.
- 2. Antes de dar servicio o limpiar la unidad, desconecte la alimentación del panel de servicio y bloquee los medios de desconexión del servicio para evitar que la alimentación se conecte accidentalmente. Cuando los medios de desconexión del servicio no puedan ser bloqueados, fije firmemente un dispositivo de aviso prominente, tal como una etiqueta, al panel de servicio.

**PRECAUCIÓN:** Para uso general de ventilación solamente. No utilizar para el escape de materiales peligrosos o explosivos y vapores.

**ADVERTENCIA - PARA REDUCIR EL RIESGO DE INCENDIOS, DESCARGAS ELÉCTRICAS O LESIONES PERSONALES, OBSERVE LO SIGUIENTE:**

- 1. La instalación y el cableado eléctrico deben ser hechos por personal calificado de acuerdo con todos los códigos y estándares aplicables, incluyendo la construcción según normas anti-incendio.
- 2. Se necesita suficiente aire para la combustión y el agotamiento adecuados de los gases a través de la chimenea del equipo de combustión de combustible para evitar el contraflujo. Siga las directrices del fabricante del equipo de calefacción y las normas de seguridad tales como los publicados por la National Fire Protection Association (NFPA), la American Society for Heating, Refrigeration and Air Conditioning Engineers (ASHRAE) y las autoridades de los códigos locales.



- 3. Al cortar o perforar la pared o el techo, no dañe el cableado eléctrico ni otros servicios ocultos.**
- 4. Los ventiladores con conductos siempre deben tener salida al exterior.**

TODAS LAS ABERTURAS DE LA PARED Y EL PISO DONDE ESTÁ INSTALADA LA CAMPANA SE DEBEN SELLAR.

Esta campana requiere por lo menos 24 "de espacio libre entre el fondo de la campana y la superficie de cocción o encimera. Esta campana ha sido aprobada por UL a esta distancia del plano de cocción.

Esta distancia mínima puede ser mayor dependiendo de los códigos de construcción locales. Para los planos de cocción de gas y las cocinas combinadas, se recomienda y puede ser necesario un mínimo de 30".

Los gabinetes de arriba a ambos lados de esta unidad deben estar a un mínimo de 18" por encima de la superficie de cocción o encimera. Consulte las instrucciones de instalación del plano de cocción o de la cocina dadas por el fabricante antes de realizar cualquier recorte. **INSTALACIÓN EN CASA MÓVIL** La instalación de esta campana debe cumplir con las Normas de Construcción y Seguridad de Viviendas Manufacturadas, Título 24 CFR, Parte 3280 (anteriormente Normal Federal para la Construcción y seguridad de las Viviendas Móviles, Título 24, HUD, parte 280). Vea Requisitos eléctricos.

### **REQUISITOS DE VENTILACIÓN**

Determine qué método de ventilación es mejor para su aplicación. El conducto puede extenderse a través de la pared o el techo.

La longitud del conducto y el número de codos deben mantenerse al mínimo para proporcionar un rendimiento eficiente. El tamaño del conducto debe ser uniforme. No instale dos codos juntos. Use cinta adhesiva para sellar todas las juntas en el sistema de conductos. Utilice calafateo para sellar la pared exterior o la abertura del piso alrededor de la tapa.

**No se recomienda el uso de conductos flexibles. El conducto flexible crea una contrapresión y una turbulencia del aire que reduce considerablemente el rendimiento.**

Asegúrese de que haya suficiente espacio libre dentro de la pared o el piso para el conducto de escape antes de hacer recortes. No corte una viga o un poste a menos que sea absolutamente necesario. Si se debe cortar una viga o un poste, se debe construir una estructura de soporte.

**ADVERTENCIA - Para reducir el riesgo de incendio, use solamente conductos de metal.**

**PRECAUCIÓN - Para reducir el riesgo de incendio y para descargar adecuadamente el aire, asegúrese de sacar el aire - No expulse los humos en espacios dentro de paredes o techos, áticos, espacios angostos o garajes.**

### **Instalaciones para clima frío**

Se debe instalar un registro de retrogresión adicional para minimizar el flujo de aire frío hacia atrás y se debe instalar un interruptor térmico no metálico para minimizar la conducción de temperaturas externas como parte del sistema de ventilación. El registro debe estar en el lado del aire frío del interruptor térmico. El interruptor debe estar lo más cerca posible de donde el sistema de ventilación ingrese a la parte calentada de la casa.



## **ADVERTENCIA**

- El sistema de ventilación **DEBE** terminar fuera del hogar.
- **NO** termine el conducto en un ático u otro espacio cerrado.
- **NO(2) utilice tapas de pared tipo lavadero de 4".**
- **No se recomienda el uso de conductos flexibles.**
- **NO** obstruya el flujo de aire de combustión y ventilación.
- El incumplimiento de los requisitos de ventilación puede provocar un incendio.

## REQUISITOS ELÉCTRICOS

Se requiere un suministro eléctrico de 120 voltios, 60 Hz solo CA en un circuito separado con fusible de 15 amperios. Se recomienda un fusible de retardo o un cortacircuitos. El fusible se debe dimensionar según los códigos locales de acuerdo con la clasificación eléctrica de esta unidad, tal como se especifica en la placa de número de serie/clasificación ubicada dentro de la unidad, cerca del compartimiento de cableado de campo.

### INSTALACIÓN ELÉCTRICA CON CAJA DE CABLEADO

ESTA UNIDAD DEBE CONECTARSE CON CABLE DE COBRE SOLAMENTE. Los tamaños de los cables deben cumplir con los requisitos del Código Eléctrico Nacional, ANSI / NFPA 70, última edición, y todos los códigos y ordenanzas locales. El tamaño del cable y las conexiones deben cumplir con la clasificación del equipo. Se pueden obtener copias de la norma enumerada anteriormente en:

National Fire Protection Association  
Batterymarch Park  
Quincy, Massachusetts 02269

Este electrodoméstico debe conectarse directamente a la desconexión por fusible (o disyuntor) a través de un cable flexible, blindado o no metálico de cobre enfundado. Deje algo de tensión en el cable para poder mover el dispositivo si alguna vez lo necesita. Debe haber un conector de conducto de 1/2" homologado por UL en cada extremo del cable de suministro de energía (en el equipo y en la caja de conexiones).

Al hacer la conexión eléctrica, corte un orificio de 1 1/4" en la pared. Un agujero cortado a través de la madera debe lijarse hasta que quede liso. Un agujero a través del metal debe tener un ojal.



## ADVERTENCIA

- Esta campana requiere conexión eléctrica de tierra.
- Si la tubería de agua fría está interrumpida por juntas de plástico, de materiales no metálicos u otros materiales, NO la utilice para conexión a tierra.
- NO conecte a tierra a una tubería de gas.
- NO tenga un fusible en el circuito neutro o de tierra. Un fusible en el circuito neutro o de tierra podría provocar una descarga eléctrica.
- Consulte con un electricista calificado si tiene dudas acerca de si la campana está correctamente conectada a tierra.
- El incumplimiento de los requisitos eléctricos puede provocar un incendio.

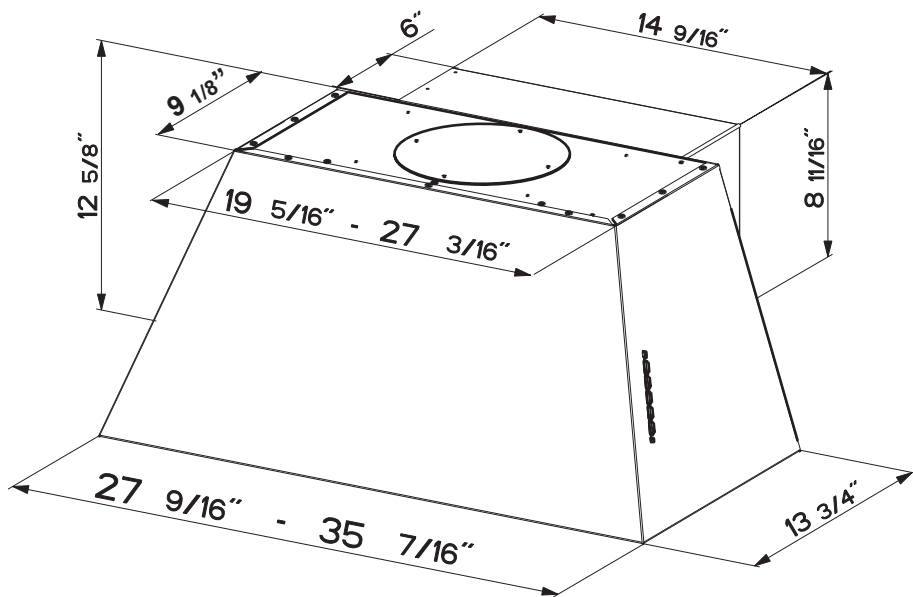
### Advertencia de la Propuesta 65 del Estado de California (solo EE. UU.)

#### ATENCIÓN

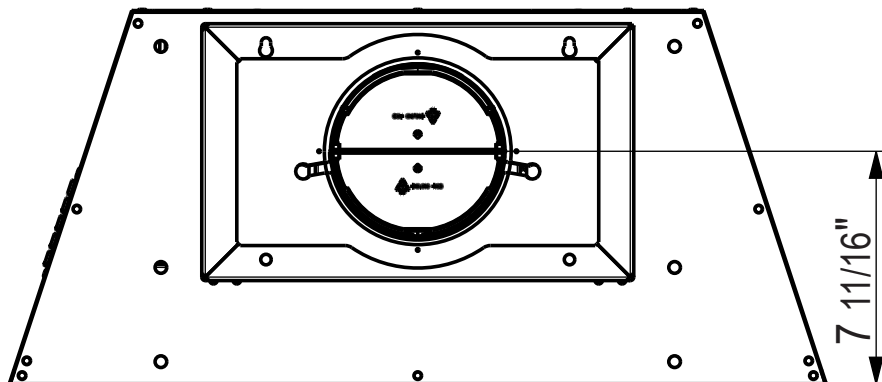
Este producto contiene productos químicos que el estado de California reconoce como causantes de cáncer y defectos de nacimiento u otros daños reproductivos.

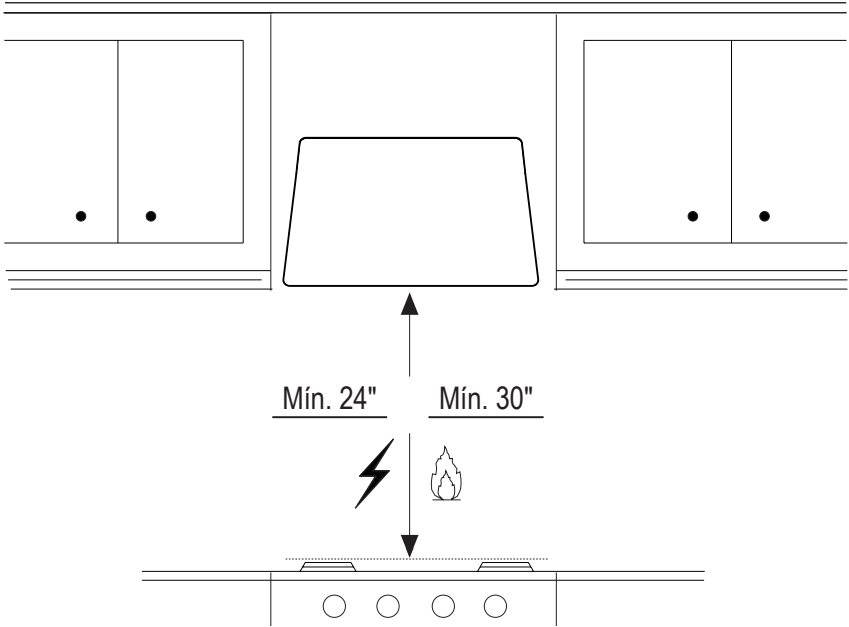
Para obtener más información, visite [www.P65Warnings.ca.gov](http://www.P65Warnings.ca.gov)

## DIMENSIONES DE LA CAMPANA



## INSTALACIÓN DE VENTILACIÓN DE CONDUCTOS TRASEROS (la campaba debería venir en esta posición)





## PARTES PRINCIPALES

### Componentes

Ref.	Cdad.	Componentes del producto
1	1	Cuerpo de la campana, completo de: Controles, Luces, Filtros, Ventilador.

2	1	Sección trasera
---	---	-----------------

8	1	Rejilla de ventilación de recirculación
---	---	---

10	1	Registro $\varnothing$ 5 7/8"
----	---	-------------------------------

### Componentes de Instalación

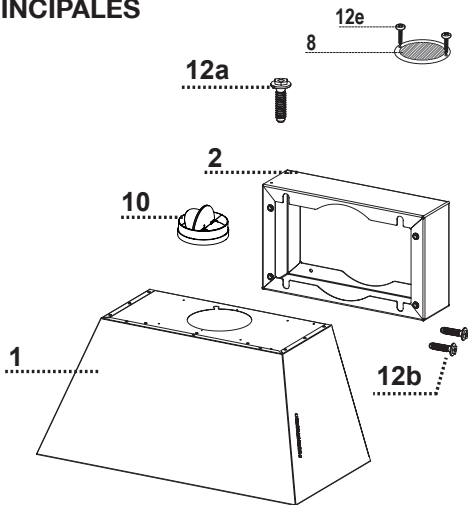
12a	4	Tornillos 1/4" x 9/16"
-----	---	------------------------

12b	2	Tornillos 1/8"x3/8" (para el montaje de la caja de cableado)
-----	---	---

12e	2	Tornillos 1/8"x3/8" (para el montaje de la rejilla de ventilación de recirculación)
-----	---	--

### Documentación

1	Manual de instrucciones
---	-------------------------



### Piezas necesarias

- Conducto metálico redondo 6" .

### Accesorios disponibles

Kit de rejilla de recirculación - Filtro de carbón activado - sku # FILTER1



Kit de filtro de carbón de larga duración lavable - sku#FILTER1LL

Kit de accesorios para chimenea telescópica - Chimenea superior e inferior para ventilación por conductos o por recirculación sku#CHIMCHBK - Negro

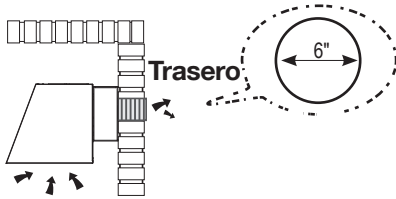
Accesorio de control remoto inalámbrico - REMCTRL2

Kit reductor Cfm (600-400) - sku# CFMRED-2

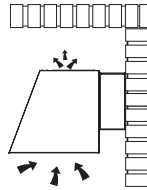
Kit reductor Cfm (600-300) - sku#CFMRED

## Elija su método de conducción

### Instalación de opciones de ventilación con conductos



### Sin conductos - Opción de recirculación



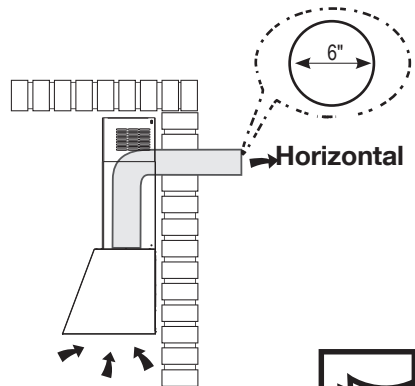
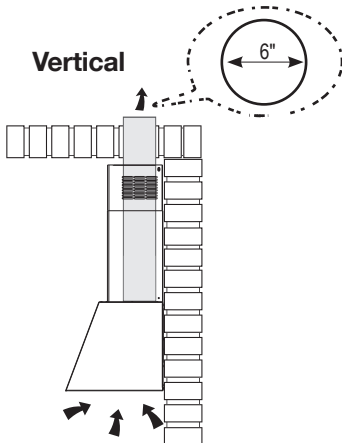
Requiere compra de accesorio de carbón activado

Cuando se utiliza en el modo de recirculación, para reducir el riesgo de incendio y descarga eléctrica, utilice sólo el kit de conversión Modelo FILTER1 o FILTER1LL.



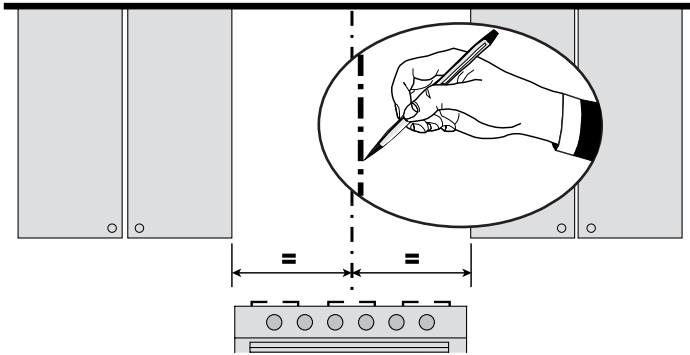
### Instalación de ventilación con conductos verticales y horizontales con el kit de chimenea opcional

Requiere compra de accesorio Chimenea



## Instrucciones de instalación

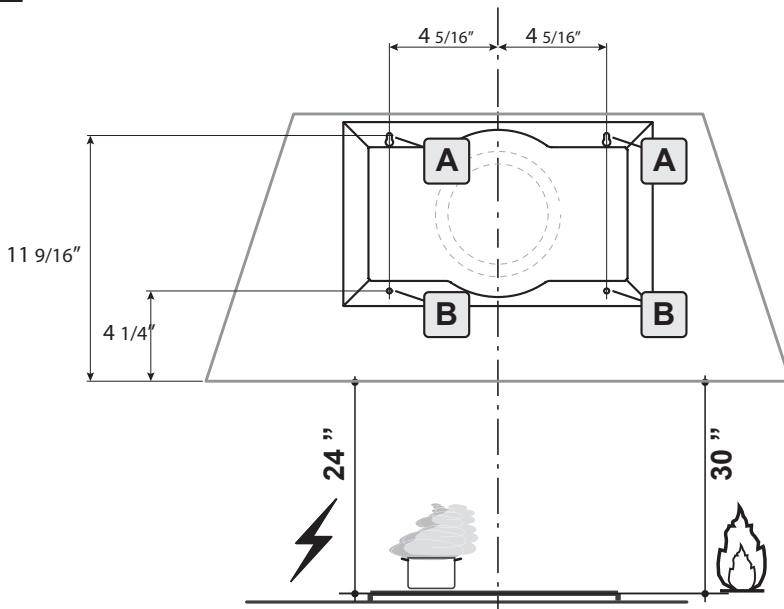
1



Dibuje una línea vertical en la pared de soporte tan alto como sea posible, en el centro del área donde se instalará la campana. Dibuje una línea horizontal en donde se ubicará el borde inferior de la campana como se indica en la figura que está a un mínimo de 24" sobre la superficie de cocción eléctrica y 30" sobre la de gas.

2

### Instalación de la sección trasera

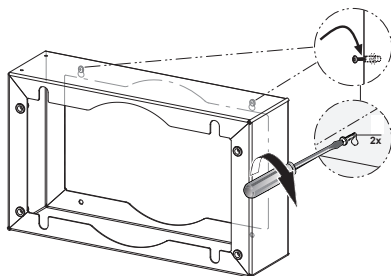


Marque la pared donde se indica (A), 11 9/16" sobre la línea horizontal y a una distancia de 4 5/16" a la izquierda y la derecha de la línea vertical. Comprobando que las dos marcas estén niveladas.

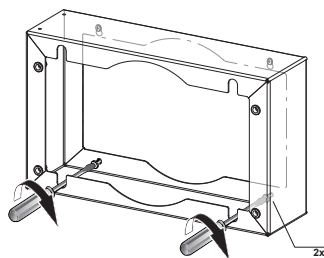
Inserte dos tapones de pared y tornillos (se compran por separado) en los orificios (A) como se muestra y deje 1/4" de los tornillos expuestos.

Marque la pared donde se indica (B), 4 1/4" sobre la línea horizontal y a una distancia de 4 5/16" a la izquierda y la derecha de la línea vertical. Comprobando que las dos marcas estén niveladas.

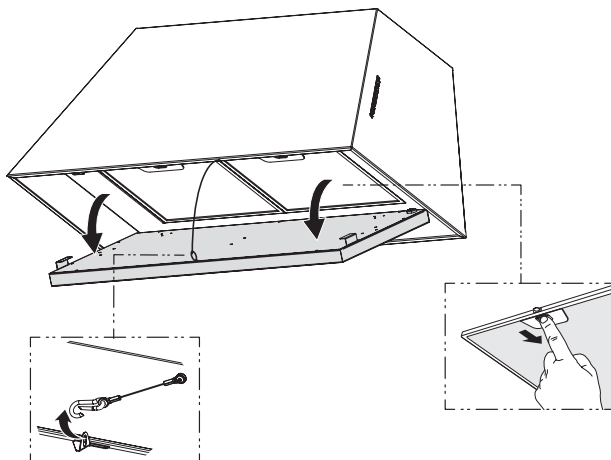
Inserte dos tapones de pared (se venden por separado).

**3**

Enganche la sección posterior como se muestra en la imagen de arriba en los tornillos superiores y asegure completamente.

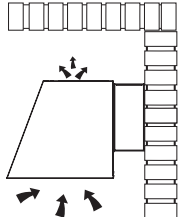
**4**

Desde adentro, asegure completamente los dos tornillos inferiores (se compran por separado).

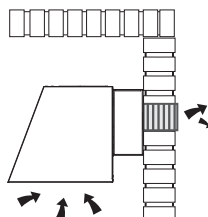
**5**

Abra el panel, desbloquee el cable de seguridad como se muestra. Quite los filtros empujando la palanca hacia la parte posterior de la unidad y al mismo tiempo tirando hacia abajo. No deseche los filtros y reserve para uso futuro.

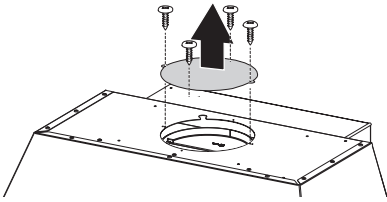
### Para la opción de recirculación sin conducto



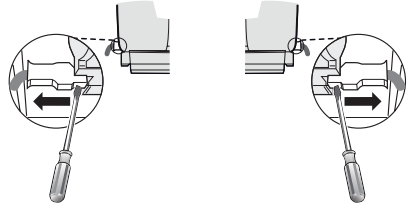
### Instalación de conducto trasero





**6**

Retire los 4 tornillos como se muestra y quite las placas de cubierta. No deseche y reserve para uso futuro.

**7**

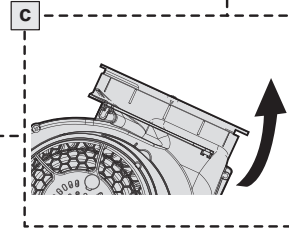
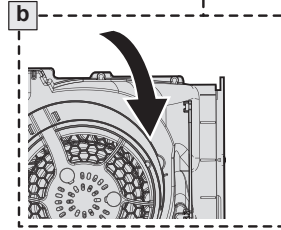
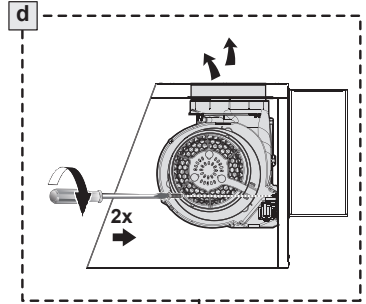
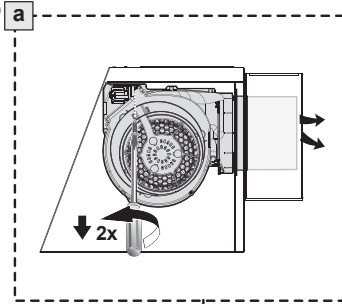
Desde el interior de la campana, utilice un destornillador de cabeza plana, como se muestra en la imagen de arriba, para desconectar los conectores izquierdo y derecho del ventilador.

**8**

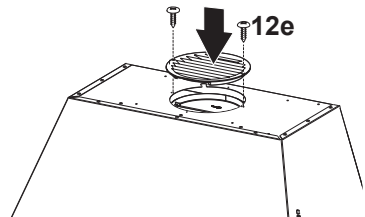
Desatornille los 2 tornillos (Posi-Drive) que sostienen el ventilador y desbloquéelo desde la posición inicial como se muestra en la Imagen a.

Después de retirar el ventilador, gire como se muestra hasta que esté en la posición correcta de ventilación trasera como se muestra en la Imagen b-c.

Use los dos tornillos que se quitaron para asegurar el ventilador como se muestra en la Imagen d.

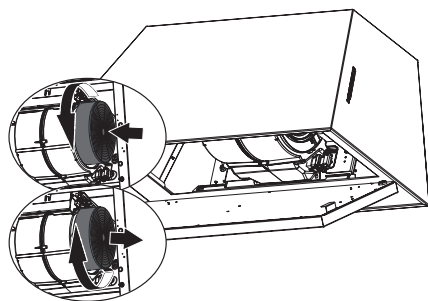
**9**

Fije la rejilla de ventilación de recirculación con dos tornillos.



# 10

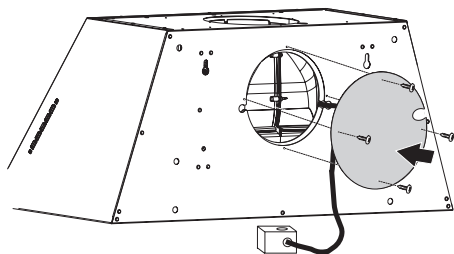
Conecte cada filtro de carbón a la rejilla negra a cada lado del ventilador. Presione el filtro de carbón firmemente contra la rejilla negra en el lado del soplador y gire el filtro en sentido horario (hacia la parte delantera de la campana) hasta que encaje en su lugar. Gire en sentido antihorario (hacia la parte posterior de la campana) para quitar.



Accesorio de filtro de carbón activado requerido - sku # - FILTER1 (se compra por separado).  
filtro de carbón de larga duración lavable - sku#FILTER1LL (se compra por separado).

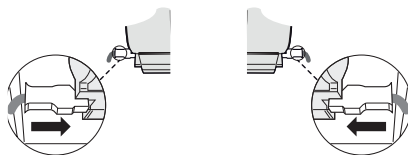


# 11



Fije la placa de cubierta con los 4 tornillos retirados previamente y pase la caja de cableado fuera del cuerpo de la campana a través de la muesca en la placa de cubierta.

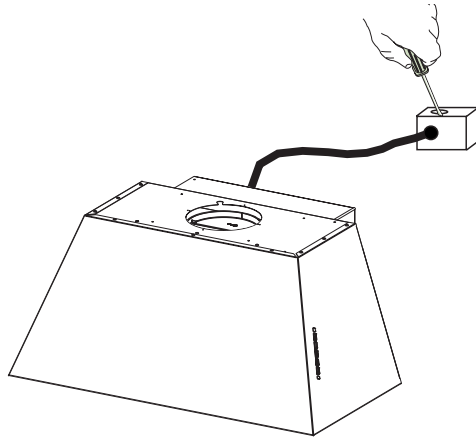
# 12



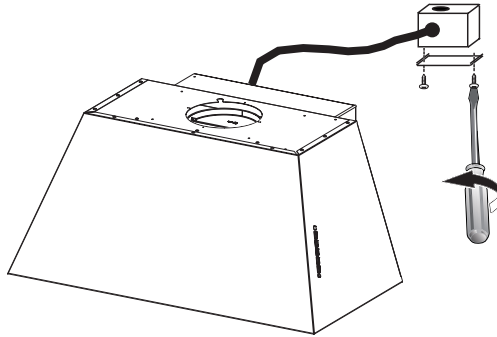
Desde el interior de la campana, vuelva a conectar los conectores en los lados izquierdo y derecho que se muestran en la imagen de arriba.

# 13

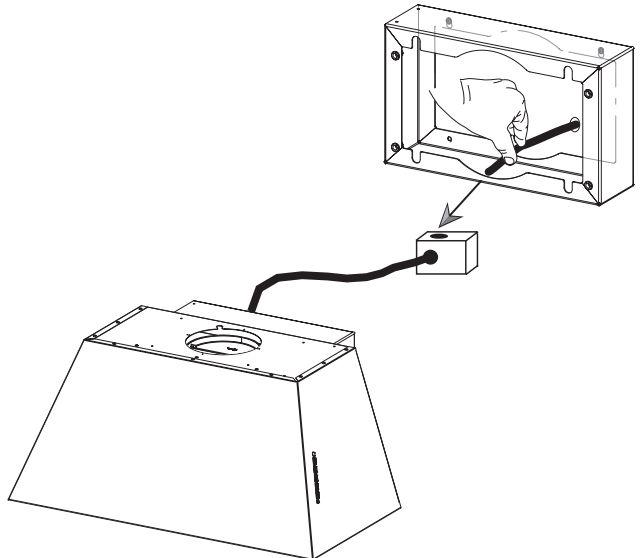
Rompa el agujero en la caja de cableado para conectar la campana al cable de suministro de energía.

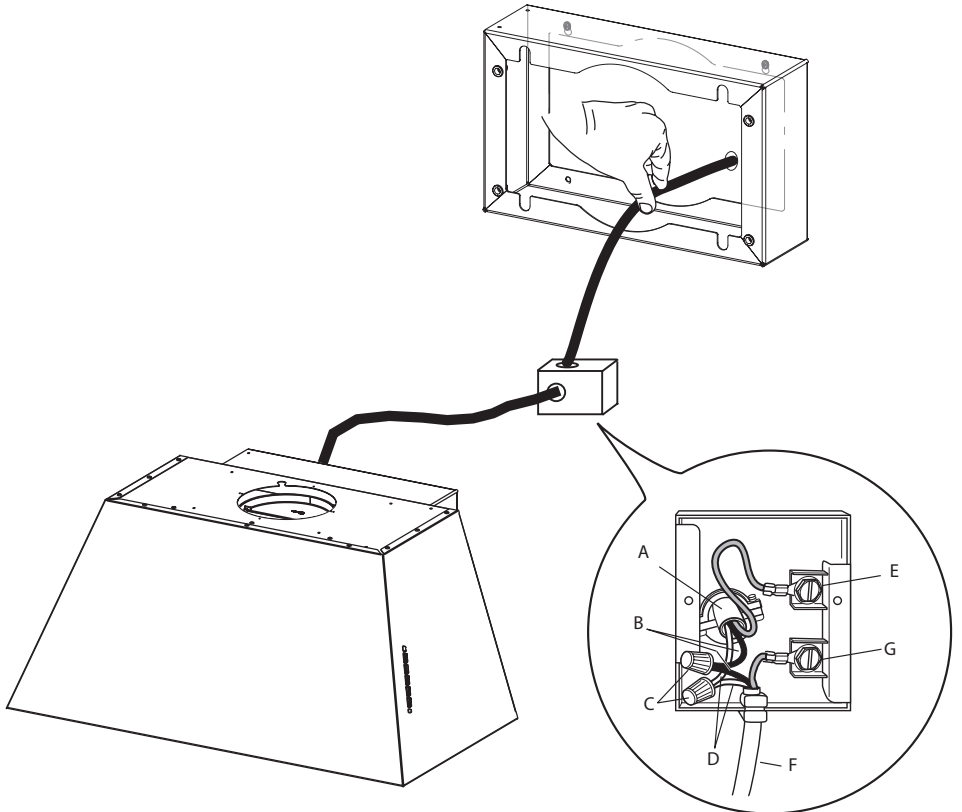


Retire la cubierta del compartimiento de la caja de conexiones desenroscando los dos tornillos.



Tire del cable de suministro de energía a través del orificio para la conexión eléctrica a la caja de cableado.





### Instalación de conexión de cableado

Retire la tapa del compartimento de cableado de campo.

NO encienda la unidad hasta que se haya completado la instalación.

Conecte el cable de la fuente de alimentación a la campana.

Conecte el cable de tierra verde (verde y amarillo) debajo del tornillo de conexión a tierra verde. Conecte el cable blanco de la fuente de alimentación al cable blanco de la campana con un conector de cable tipo twist-on.

Conecte el cable negro de la fuente de alimentación al cable negro de la campana con un conector de cable tipo twist-on.

Reemplace la cubierta del compartimento de cableado de campo.

**A. Cable de la fuente de alimentación doméstica**

**B. Cables negros**

**C. Conectores de cable con homologación UL**

**D. Cables blancos**

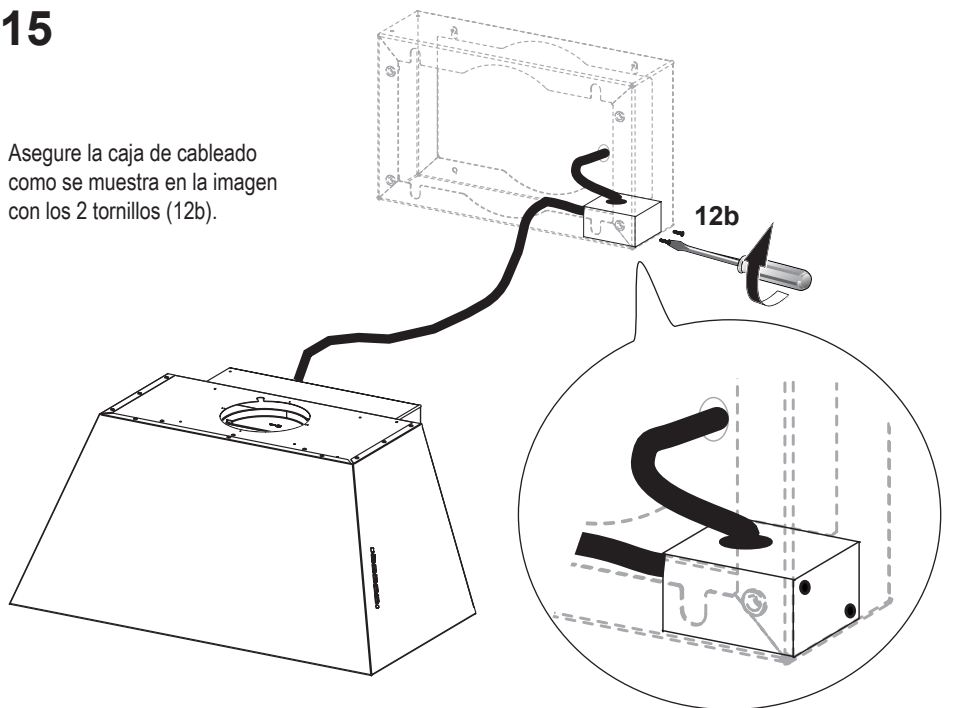
**E. Cable de tierra verde (o desnudo) de la fuente de alimentación doméstica conectada al tornillo de tierra verde**

**F. Cable de alimentación de la campana**

**G. Cable de tierra verde del cable de suministro de energía de la campana conectado al tornillo de tierra verde.**

# 15

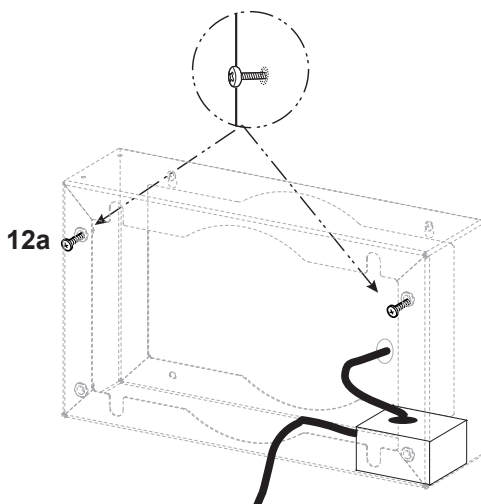
Asegure la caja de cableado como se muestra en la imagen con los 2 tornillos (12b).



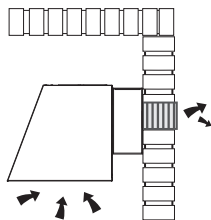
**Atención:** Después de la instalación de la caja de cableado, coloque el cable dentro de una sección posterior sin tirarlo demasiado.

# 16

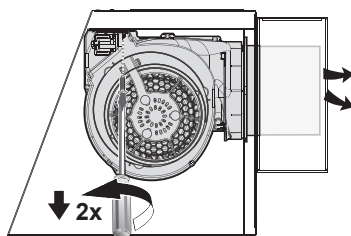
Atornille los dos tornillos 12a en la sección posterior con las cabezas expuestas 1/4".



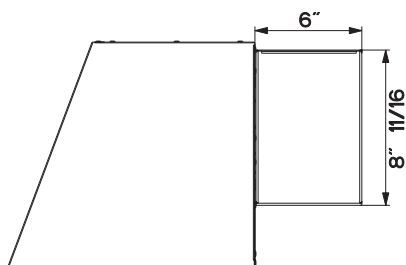
## Solo para la instalación de conducto trasero



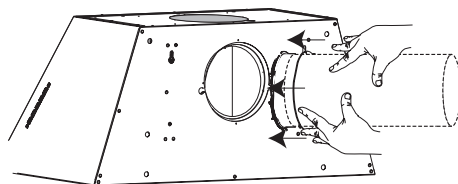
Antes de fijar el cuerpo de la campana a la sección trasera, destornille los 2 tornillos para fijar el ventilador. Esta operación simplificará la conexión del conducto de salida de aire.



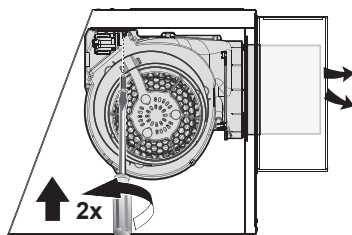
Utilice este dibujo dimensional para ayudar con la planificación de la conexión del conducto.



Instale en el conducto de conexión del techo o la pared.

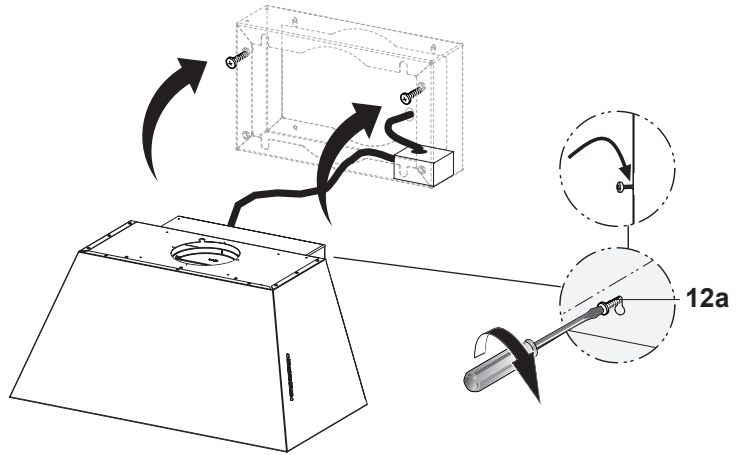


Antes de fijar el cuerpo de la campana a la sección trasera, fije el ventilador en la posición anterior con los mismos dos tornillos.



# 17

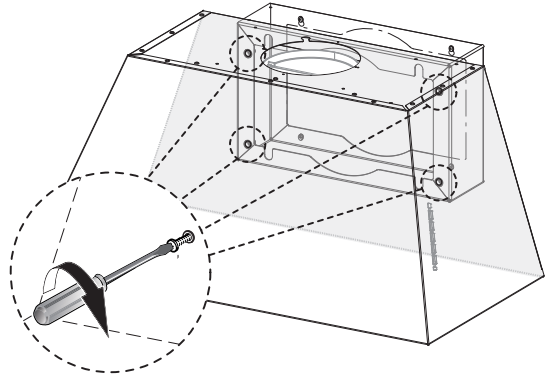
Enganche el cuerpo de la campana en los tornillos superiores (12a) de la sección trasera montada, y luego asegure completamente los tornillos.



# 18

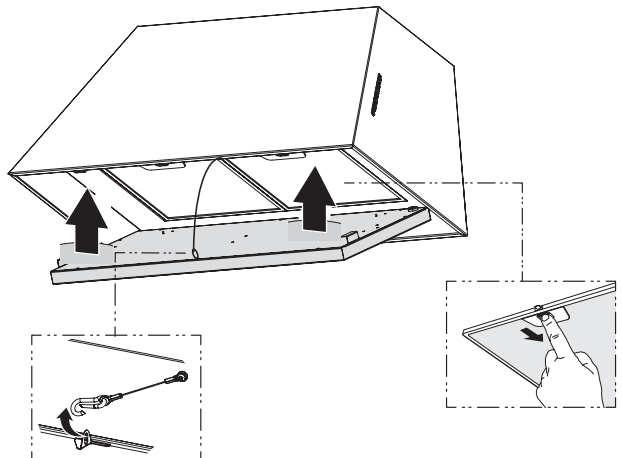
Complete la fijación del cuerpo de la campana a la sección trasera instalando los dos tornillos 12a restantes en los orificios inferiores de la sección posterior.

Asegure los 4 tornillos.

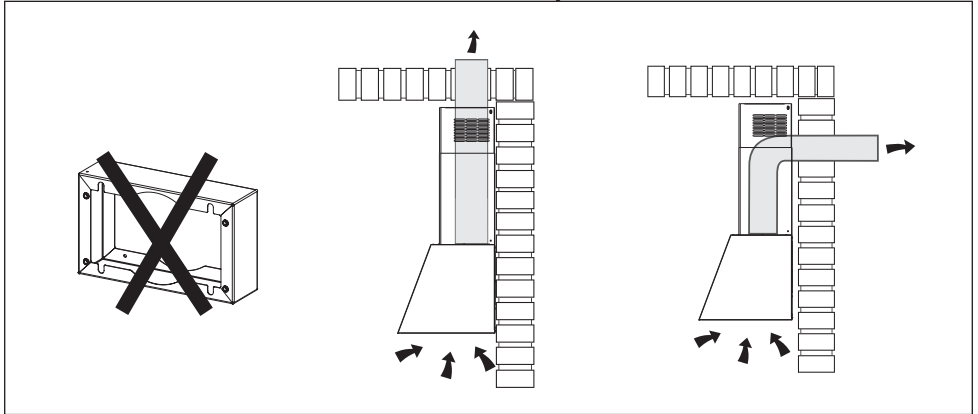


# 19

Vuelva a colocar los filtros en la campana, y bloquee el cable de seguridad como se muestra en la imagen a la derecha. Cierre el panel.

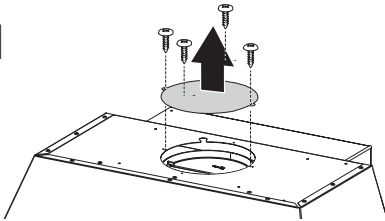


## Instalación de ventilación con conductos verticales y horizontales con el kit de chimenea opcional



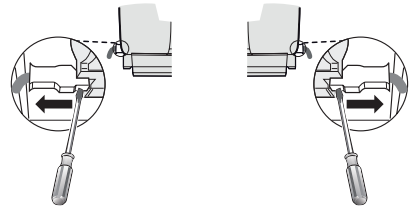
## Instalación con el kit de chimenea opcional - Preparación de la campana

1



Retire los 4 tornillos como se muestra y quite las placas de cubierta. No deseche y reserve para uso futuro.

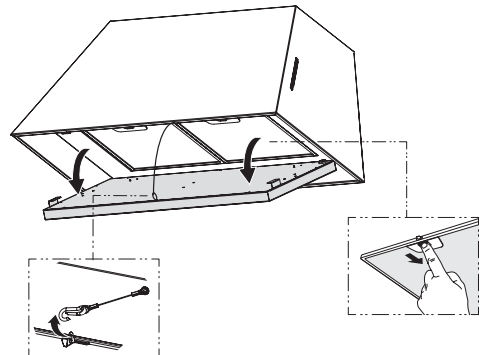
2



Desde el interior de la campana, utilice un destornillador de cabeza plana, como se muestra en la imagen de arriba, para desconectar los conectores izquierdo y derecho del ventilador.

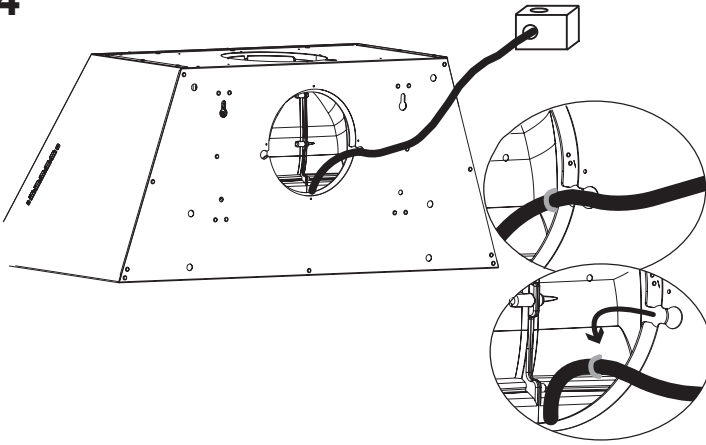
3

Abra el panel, desbloquee el cable de seguridad como se muestra. Quite los filtros empujando la palanca hacia la parte posterior de la unidad y al mismo tiempo tirando hacia abajo. No deseche los filtros y reserve para uso futuro.

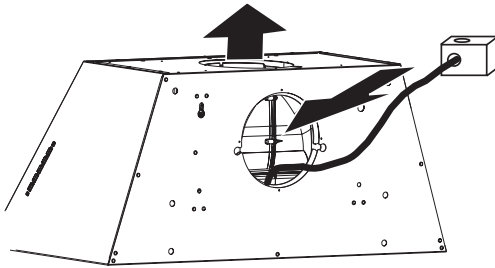




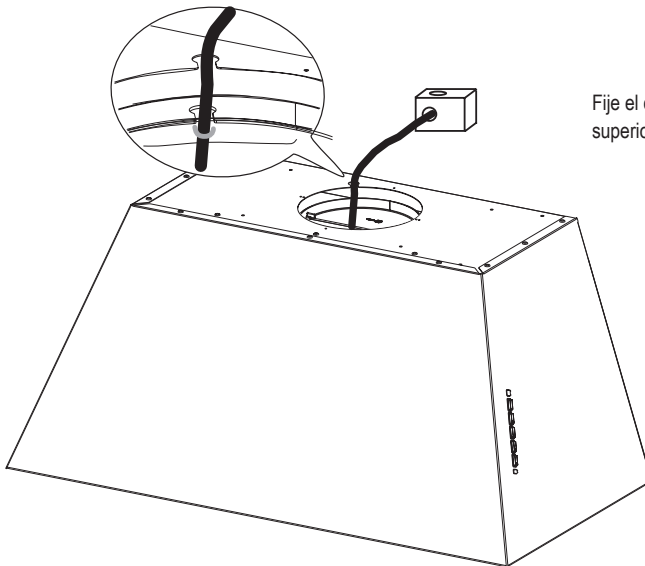
4



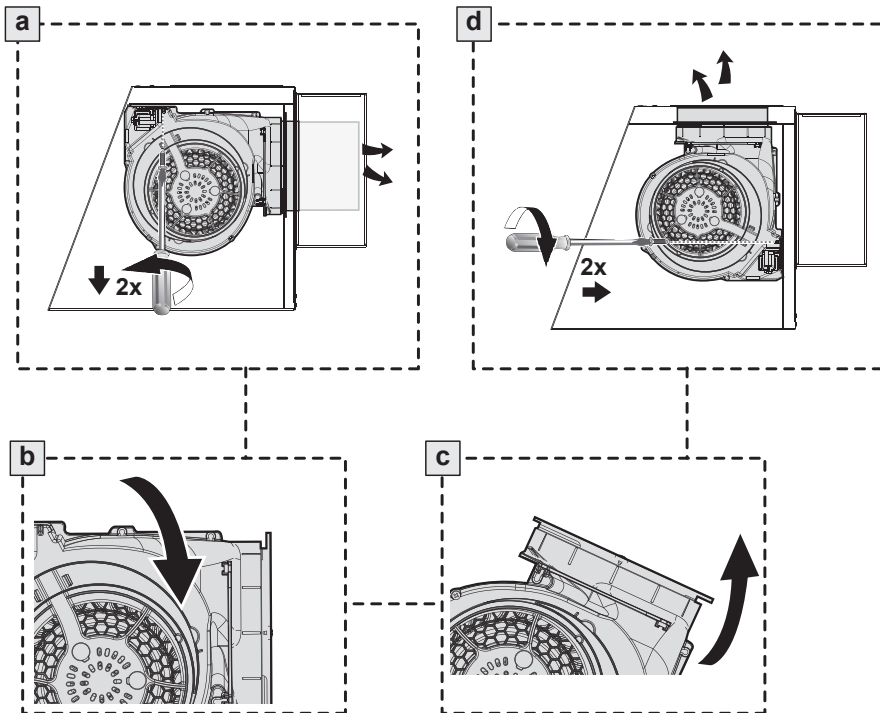
Tire del cable desde el orificio trasero.



Mueva el cable desde la parte posterior de la campana hasta la parte superior de la campana.



Fije el cable en el orificio en la parte superior de la campana como se muestra.

**5**

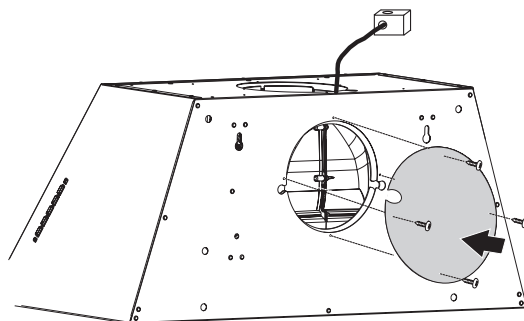
Desatornille los 2 tornillos que sostienen el ventilador y desbloquéelo desde la posición inicial como se muestra en la Imagen a.

Después de retirar el ventilador, gire como se muestra hasta que esté en la posición correcta de ventilación trasera como se muestra en la Imagen b-c.

Use los dos tornillos (Posi-Drive) que se quitaron para asegurar el ventilador como se muestra en la Imagen d.

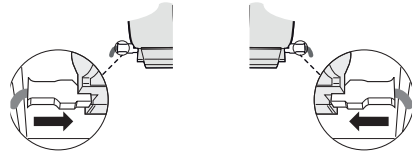
**6**

Vuelva a asegurar la placa de cubierta como se muestra con los tornillos retirados previamente.



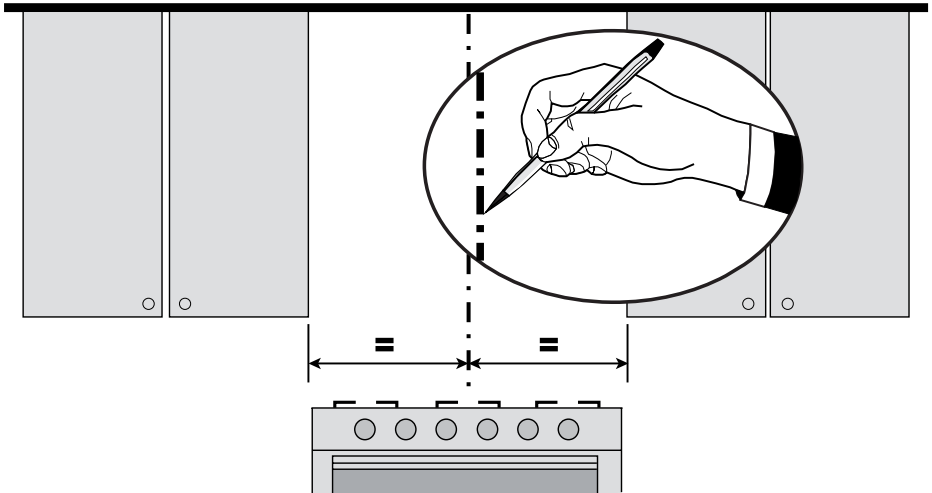
# 7

Desde el interior de la campana, vuelva a conectar los conectores en los lados izquierdo y derecho que se muestran en la imagen de arriba.



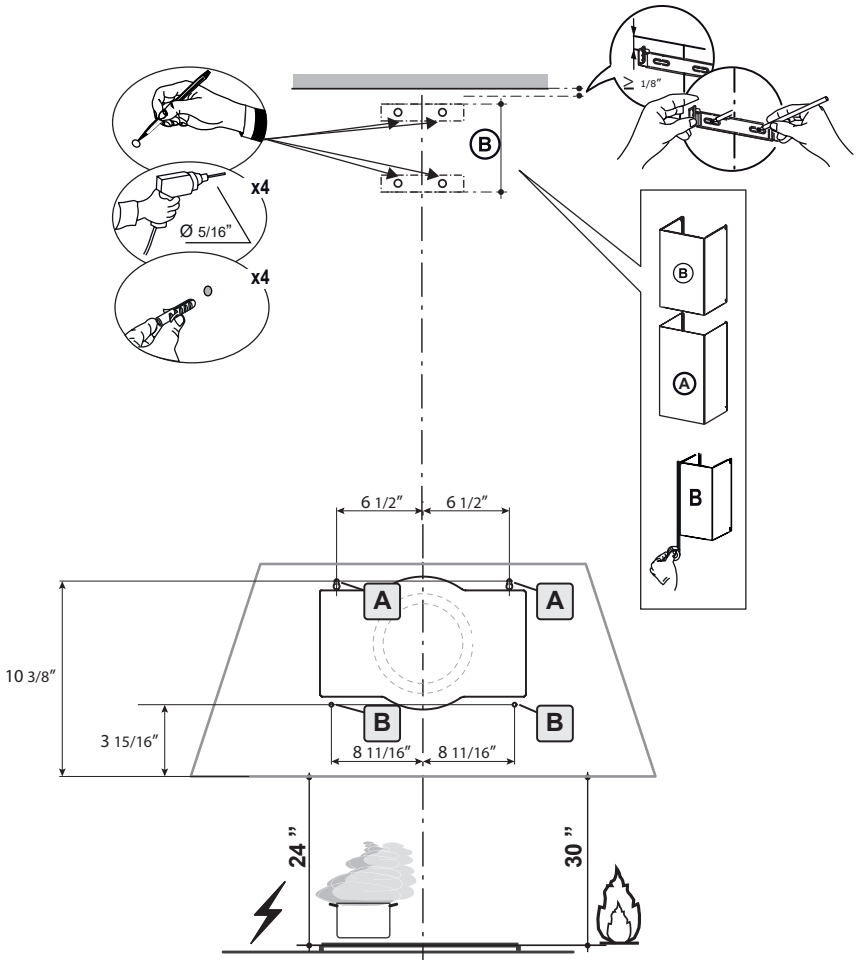
## Instalación con el kit de chimenea opcional - Preparación de la pared

# 8



Dibuje una línea vertical en la pared de soporte tan alto como sea posible, en el centro del área donde se instalará la campana. Dibuje una línea horizontal en donde se ubicará el borde inferior de la campana como se indica en la figura que está a un mínimo de 24" sobre la superficie de cocción eléctrica y 30" sobre la de gas.

9



Marque la pared donde se indica (A), 10 3/8" por encima de la línea horizontal y a una distancia de 6 1/2" a la izquierda y derecha de la línea vertical. Comprobando que las dos marcas estén niveladas.

Inserte dos tapones de pared y dos tornillos en los orificios como se muestra, no completamente (se compran por separado).

Marque la pared donde se indica (B), 3 15/16" por encima de la línea horizontal y a una distancia de 8 11/16" a la izquierda derecha de la línea vertical. Comprobando que las dos marcas estén niveladas.

Inserte dos tapones de pared (se compran por separado).

Coloque un soporte 7.2.1 en la pared como se muestra a aproximadamente 1/8" del techo o límite superior, alinee el centro (muesca) con la línea de referencia vertical y marque la pared en el centro de los agujeros en el soporte.

Coloque el segundo soporte 7.2.1 en la pared como se muestra, debajo del primer soporte, a la altura de la sección superior de la chimenea suministrada y alineando el centro (muesca) con la línea vertical.

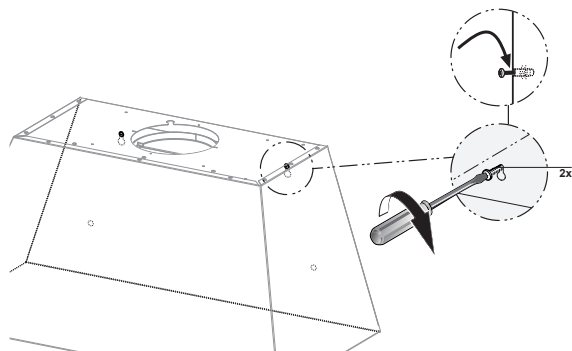
Marque la pared en el centro de los agujeros en el soporte y taladre con  $\varnothing$  5/16" como se muestra.

Los tornillos de instalación provistos para los soportes deben asegurarse con tapones de pared (se adquieren por separado).

## Instalación con el kit de chimenea opcional

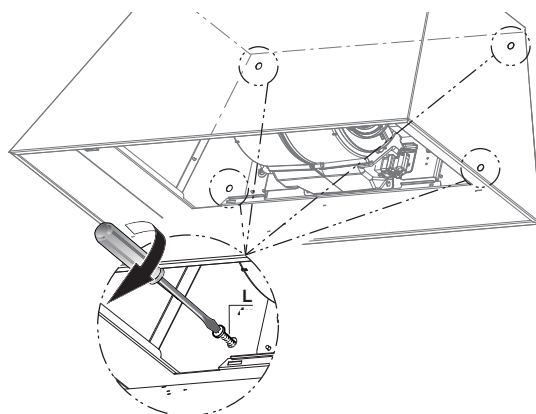
### 10

Enganche y fije el cuerpo de la campana en la pared.



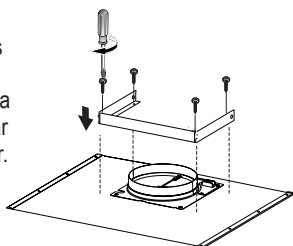
### 11

Desde adentro, asegure completamente los 4 tornillos 12a.



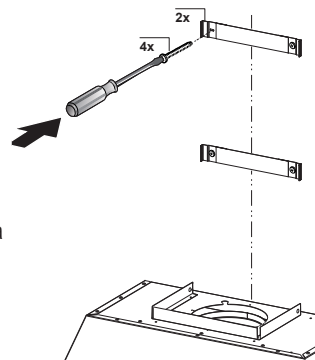
### 12

Utilice los cuatro tornillos (incluidos con el kit de chimenea telescópica opcional) para fijar el soporte angular.

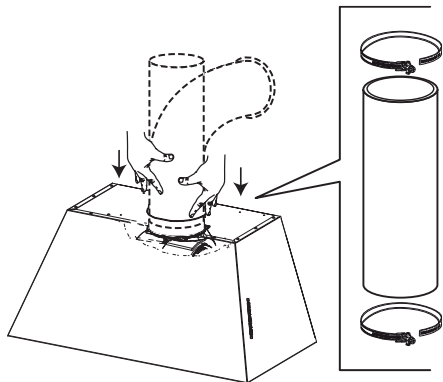
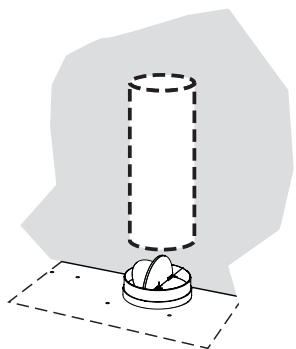


### 13

Fije el soporte utilizando los tornillos que se incluyen en el kit de chimenea telescópica opcional.

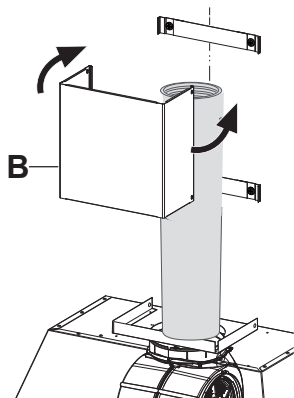


# 14



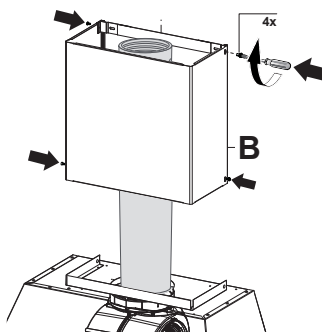
Instale el techo o la tapa de pared comprados por separado. Conecte los conductos metálicos de 6" al techo o a la tapa de pared y luego conecte los conductos.

# 15



Ligeramente ensanche los dos lados de la chimenea superior y engánchelos detrás de los soportes, asegurándose de que estén bien asentados.

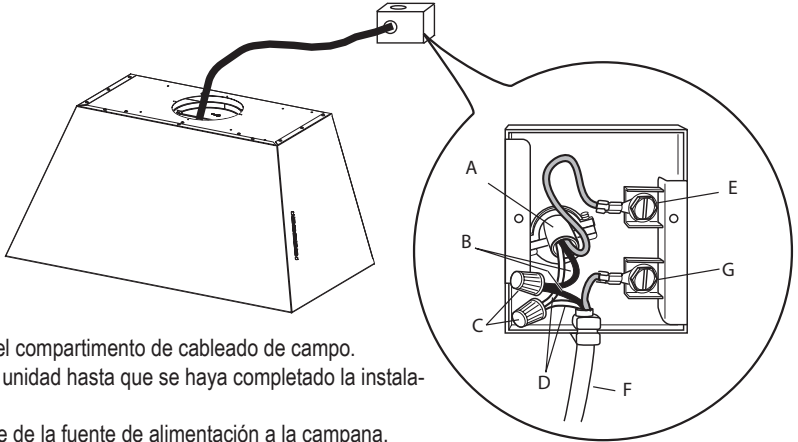
# 16



Asegure los lados a los soportes con los 4 tornillos.

# 17

## Instalación de conexión de cableado



Retire la tapa del compartimento de cableado de campo.  
NO encienda la unidad hasta que se haya completado la instalación.

Conecte el cable de la fuente de alimentación a la campana.  
Conecte el cable de tierra verde (verde y amarillo) debajo del tornillo de conexión a tierra verde. Conecte el cable blanco de la fuente de alimentación al cable blanco de la campana con un conector de cable tipo twist-on.

Conecte el cable negro de la fuente de alimentación al cable negro de la campana con un conector de cable tipo twist-on.  
Reemplace la cubierta del compartimento de cableado de campo.

**A. Cable de la fuente de alimentación doméstica**

**B. Cables negros**

**C. Conectores de cable con homologación UL**

**D. Cables blancos**

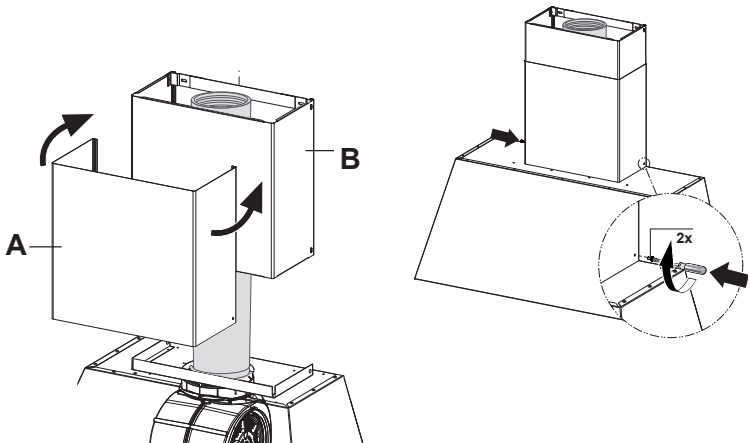
**E. Cable de tierra verde (o desnudo) de la fuente de alimentación doméstica conectada al tornillo de tierra verde**

**F. Cable de alimentación de la campana**

**G. Cable de tierra verde del cable de suministro de energía de la campana conectado al tornillo de tierra verde.**

# 18

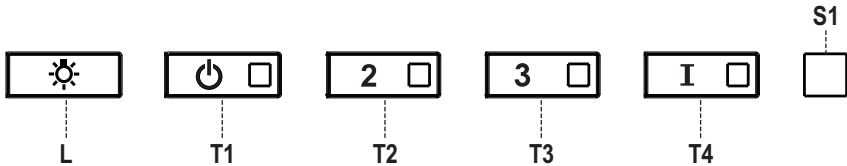
Agrande ligeramente los dos lados de la sección inferior y enganche entre la sección superior y la pared, asegurándose de que estén debidamente alojados.



## INFORMACIÓN DE USO Y CUIDADO

### Para mejores resultados

Encienda la campana varios minutos antes de cocinar para desarrollar un flujo de aire adecuado. Deje que la campana funcione durante varios minutos después de que se complete la cocción para eliminar todo el humo y los olores de la cocina.



Botón	Función	Led
<b>L</b>	Enciende / apaga las luces a máxima potencia.	-
	Mantenga presionado el botón durante aproximadamente 2 segundos para atenuar el encendido/apagado de las luces.	-
<b>T1</b>	Enciende / apaga el motor a la velocidad uno.	-
<b>T2</b>	Enciende el motor a la velocidad dos.	-
	Mantenga presionado el botón durante aproximadamente 5 segundos, con todas las cargas apagadas (motor y luces), para activar la alarma de filtro de carbón activado. El LED correspondiente parpadea dos veces para confirmar. Para apagar la alarma, presione el botón nuevamente y manténgalo presionado durante al menos 5 segundos. El LED correspondiente parpadea una vez.	Destellando
<b>T3</b>	Enciende el motor a la velocidad tres.	-
	Mantenga presionado el botón durante aproximadamente 3 segundos, con todas las cargas apagadas (Motor y luces), para realizar un reinicio. El LED S1 parpadea tres veces.	Destellando
<b>T4</b>	Enciende el motor a velocidad INTENSIVA. Esta velocidad está programada para funcionar durante 6 minutos. Al final de este tiempo, el sistema regresa automáticamente a la velocidad establecida anteriormente. Si se activa con el motor apagado, la campana cambiará a OFF al final del tiempo.	-
	Presione y sostenga durante 5 segundos para habilitar el mando remoto, indicado por el LED parpadeando dos veces. Presione y sostenga durante 5 segundos para deshabilitar el mando remoto, indicado por el LED parpadeando una vez.	Destellando
<b>S1</b>	Señala la alarma de saturación del filtro de grasa metálico, lo que indica que es necesario lavar los filtros. La alarma se activa después de que la campana ha estado en funcionamiento durante 100 horas de trabajo.	Fijado
	Cuando se activa, señala la alarma de saturación del filtro de carbón activo, lo que indica que el filtro debe cambiarse; los filtros de grasa metálicos también deben lavarse. La alarma de saturación del filtro de carbón activo entra en funcionamiento después de que la campana ha estado trabajando durante 200 horas.	Destellando



## Limpieza de los filtros de grasa metálicos

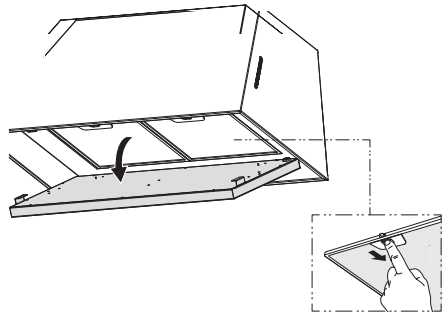
Estos pueden lavarse en el lavavajillas y deben limpiarse cada vez que se enciende el S1 Led o al menos una vez cada 2 meses de uso, o con mayor frecuencia si el uso es particularmente intenso.

### Restablecer la señal de alarma

- Apaga las luces y el motor de aspiración.
- Presione T3 y mantenga presionado durante al menos 3 segundos, hasta que el LED parpadee tres veces como confirmación.

### Limpieza

- Retire el filtro, empujando la palanca hacia la parte posterior de la unidad y al mismo tiempo tirando hacia abajo.
- Lave el filtro sin doblarlo, deje que se seque completamente antes de reemplazarlo (si la superficie del filtro cambia de color con el tiempo, esto no tendrá ningún efecto sobre su eficiencia).
- Reemplace, asegurándose de que el asa esté orientada hacia adelante.
- Asegúrese de eliminar toda el agua y cualquier otro líquido antes de volver a instalar los filtros después de la limpieza.



## Reemplazo del filtro de carbón activado

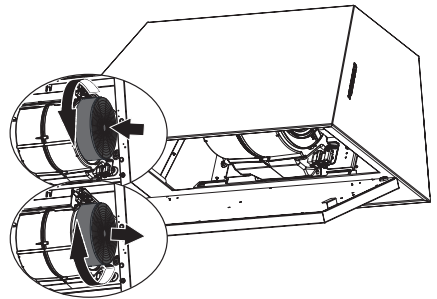
Esto no se puede lavar ni regenerar, y debe cambiarse cuando el LED S1 comience a parpadear, o al menos una vez cada 4 meses. La señal de alarma, si se ha activado, solo aparece cuando el motor de aspiración está encendido.

### Restablecer la señal de alarma

- Apaga las luces y el motor de aspiración.
- Presione T3 y mantenga presionado durante al menos 3 segundos, hasta que el LED parpadee tres veces como confirmación.

### Limpieza

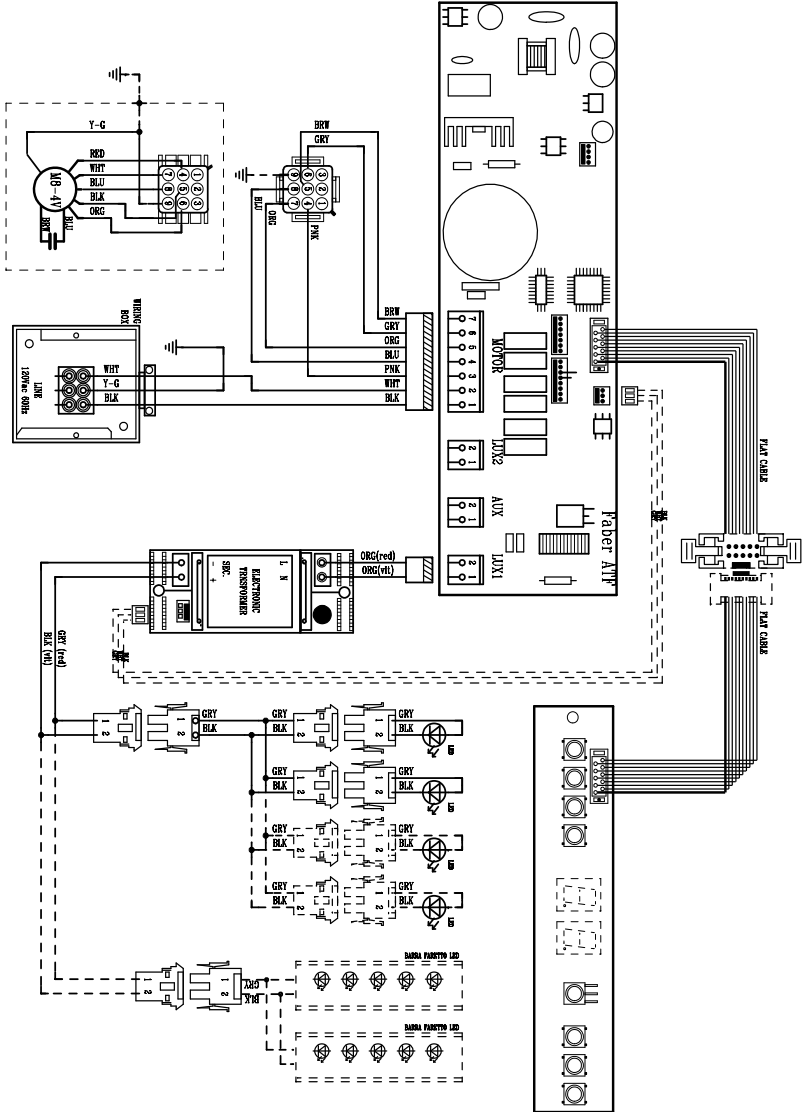
- Retire el filtro de carbón girándolo en el sentido de las agujas del reloj (hacia atrás) hasta que se desbloquee de la carcasa del motor y salga lateralmente.
- Para volver a insertar cada filtro de carbón, colóquelo contra el costado del soplador y empujelo hacia adentro. Luego gire el filtro de carbón en sentido horario (hacia adelante) hasta que encaje en su lugar.
- **PRECAUCIÓN:** Cuando se utiliza en el modo de recirculación, para reducir el riesgo de incendio y descarga eléctrica, utilice sólo el kit de conversión Modelo FILTER1 o FILTER1LL.



## Unidad De Iluminación Led

- Las luces LED deben ser reemplazadas por el servicio autorizado por la fábrica Faber.

# Diagrama de cableado



## Esta garantía Aplica para USA y Canada



### GARANTÍA Y SERVICIO AL CONSUMIDOR FABER

Todos los productos Faber están garantizados contra cualquier defecto de materiales o mano de obra para el comprador original por un período de 1 año a partir de la fecha de compra original (requiere prueba de compra). Esta garantía cubre mano de obra y piezas de repuesto. Faber, a su elección, puede reparar o reemplazar el producto o componentes necesarios para restaurar el producto en buenas condiciones de trabajo. Para obtener el servicio de garantía, póngase en contacto con el distribuidor de quien adquirió la campana extractora o con el distribuidor local de Faber. Si no puede identificar a un distribuidor local de Faber, comuníquese con nosotros al (508) 358-5353 para obtener el nombre de un distribuidor en su área.

#### Lo siguiente no está cubierto por la garantía de Faber:

1. Llamadas de servicio para corregir la instalación de su campana extractora, para instruirle sobre cómo usar su campana extractora, para reemplazar o reparar fusibles de la casa o para corregir el cableado de la casa o la plomería.
2. Llamadas de servicio para reparar o reemplazar las bombillas, fusibles o filtros de la campana extractora. Estas partes de consumibles están excluidas de la cobertura de la garantía.
3. Reparaciones, cuando su campana extractora se utiliza para uso doméstico distinto al normal.
4. Daños resultantes de accidente, alteración, mal uso, abuso, incendio, inundación, eventos naturales, instalación incorrecta, instalación no conforme a los códigos eléctricos o de plomería o la documentación de Faber, o uso de productos no aprobados por Faber.
5. Piezas de repuesto o costos de mano de obra de reparación para unidades operadas fuera de los Estados Unidos o Canadá, incluyendo cualquier campana de cocina Faber no aprobada por UL o C-UL.
6. Reparaciones a la campana resultantes de modificaciones no autorizadas a la misma.
7. Gastos de viaje y transporte para el servicio del producto en lugares remotos, y gastos de recogida y entrega. Las campanas de cocina Faber deben ser reparadas en el hogar.

ESTA GARANTÍA NO PERMITE LA RECUPERACIÓN DE DAÑOS INCIDENTALES O CONSECUENTES, INCLUYENDO, SIN LIMITACIÓN, DAÑOS DIRECTOS, INDIRECTOS, INCIDENTALES, ESPECIALES O CONSECUENTES, LESIONES PERSONALES O MUERTE INCORRECTA O BENEFICIOS PERDIDOS. LA GARANTÍA DE FABER SE LIMITA A LAS CONDICIONES ANTERIORES Y AL PERÍODO DE GARANTÍA ESPECIFICADO AQUÍ Y ES EXCLUSIVA. EXCEPTO DADO LO EXPRESAMENTE ESPECIFICADO EN ESTE ACUERDO, FABER RENUNCIA A TODAS LAS CONDICIONES, REPRESENTACIONES Y GARANTÍAS EXPRESAS O IMPLÍCITAS INCLUYENDO, SIN LIMITACIÓN, CUALQUIER GARANTÍA IMPLÍCITA DE COMERCIABILIDAD O ADECUACIÓN PARA UN PROPÓSITO PARTICULAR.

Esta garantía le otorga derechos legales específicos que pueden variar de estado a estado.

Modelo: \_\_\_\_\_ Número de serie \_\_\_\_\_





