

CLASSICA PLUS



WALL

PREMIUM LOOKS PLUS SO MUCH MORE

A classic seamless design meets premium features in the endearing Classica Plus, an excellent addition to any kitchen. Easy to use, quiet to run, energyefficient, and powerful enough to keep the air fresh whatever's on the menu.

AVAILABLE MODELS

Model #	FUN #	Size / Color	Motor Class (CFM)
CLPL30SSV2	320.0679.756	30" Stainless Steel	295/395/600 CFM
CLPL36SSV2	320.0679.757	36" Stainless Steel	295/395/600 CFM



THE CLASSICA PLUS' **ENERGY-EFFICIENT** ENERGY MOTOR ALLOWS FOR LONGER DUCT RUNS AND IMPROVES PERFORMANCE BY REDUCING NOISE.



CLASSICA PLUS

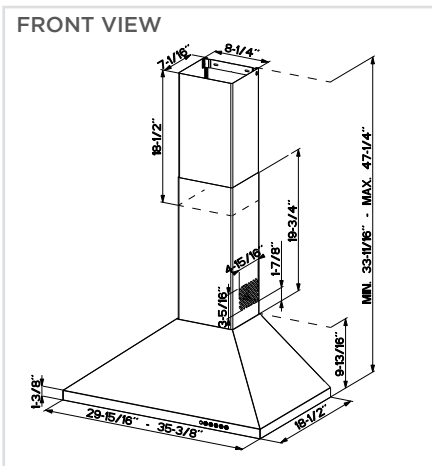


MODEL	FUN #	SIZE/MATERIAL	MOTOR CLASS
CLPL30SSV2	320.0679.756	30" Stainless Steel	295/395/600 CFM
CLPL36SSV2	320.0679.757	36" Stainless Steel	295/395/600 CFM

FEATURES		PERFORMANCE		ACCESSORIES
Dimensions		Motor		FILTER1 Charcoal Filter Kit
Ceiling Height	Min 24" OFF - 7' 9 ¹¹ / ₁₆ " Max 30" OFF - 9' 5 ¹ / ₄ "	No. of Fan Speeds	4	FILTER1LL2 Long Lasting Charcoal Filter Kit
Canopy Depth-Height	18 1/2" D x 9 19/16" H	Motor Class	295/395/600	WIREBOX Fixed Wire Box
Ducting		Energy-Efficient Motor	Yes	HIGHCLPL Chimney Kit (up to 11' 8" ceiling)
Type	Ducted / Ductless with DUCTCLPL kit	Display		DUCTCLPL Ductless Kit
Duct Size	6" Round Top Vent	Controls	Electronic with White LED	REMORIG Wireless Remote Control
Lighting		Delay Shut-Off	15 Minutes	MUDAMPER6 6" Make-up Air Kit
Type	Energy-Efficient LED	Intensive Speed	10 Minutes	MUDAMPER8 8" Make-up Air Kit
# of Bulbs	Two - 1 Watt - 1 Level	Other		
Grease Filters		ADA Compliant	With Remote Control	
Filter Type	Mesh	Remote Control	Purchase Separately	
Dishwasher Safe	Yes	Power Cord Included	Yes	

DIMENSIONAL DRAWINGS

FRONT VIEW



Rev4 223

800 Aviation Parkway, Smyrna, TN 37167 (508) 358-5353 | www.faberonline.com

FABER
FRANKE'S AIR EXPERT