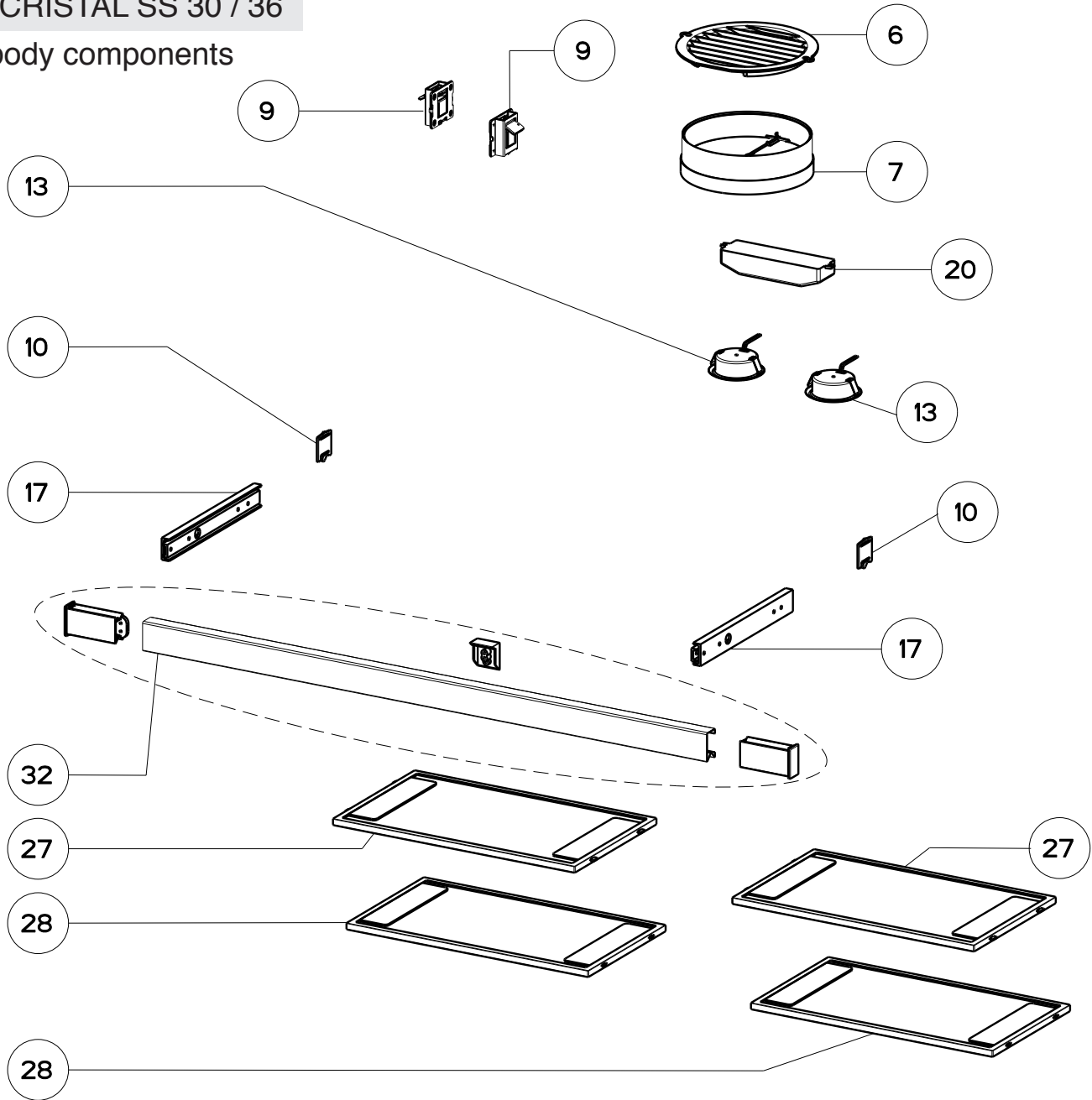


CRISTAL SS 30 / 36

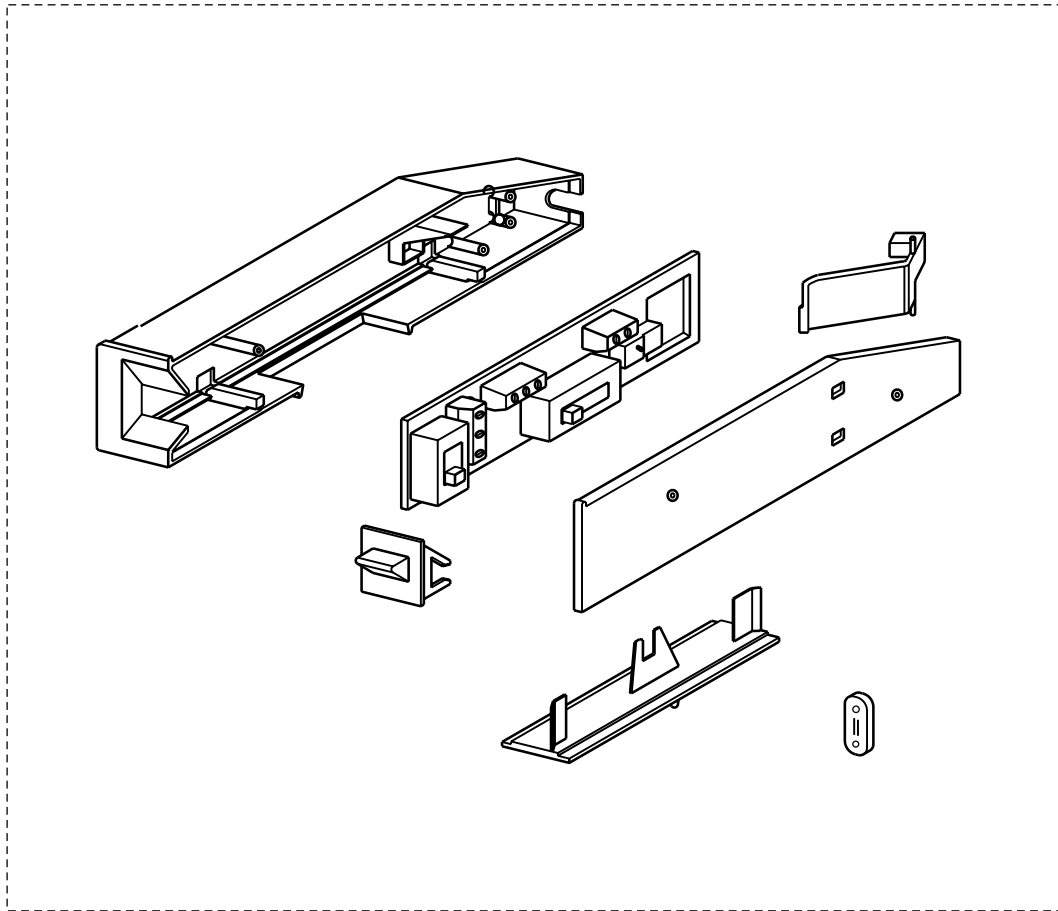
body components



| | Model Number | CRIS30SSH | CRIS36SSH | CRIS30SSH300 | CRIS36SSH300 | |
|-----|----------------------------|--------------|--------------|--------------|--------------|----------|
| Key | Description | 30 | 36 | 30 | 36 | Qty Req. |
| 6 | Vent Grate | 133.0016.964 | 133.0016.964 | 133.0016.964 | 133.0016.964 | 1 |
| 7 | Damper | 133.0055.994 | 133.0055.994 | 133.0055.994 | 133.0055.994 | 1 |
| 9 | Hinge Clips Kit (2 in kit) | 133.0078.993 | 133.0078.993 | 133.0078.993 | 133.0078.993 | 1 |
| 10 | Limit Switch Kit | 133.0073.613 | 133.0073.613 | 133.0073.613 | 133.0073.613 | 1 |
| 13 | Halogen Lamp Kit | 133.0052.793 | 133.0052.793 | 133.0052.793 | 133.0052.793 | 2 |
| 13 | Halogen Lamp (bulb only) | 133.0000.001 | 133.0000.001 | 133.0000.001 | 133.0000.001 | 2 |
| 17 | Slide Guide | 133.0068.113 | 133.0068.113 | 133.0068.113 | 133.0068.113 | 1 |
| 20 | Transformer | 133.0174.154 | 133.0174.154 | 133.0174.154 | 133.0174.154 | 1 |
| 27 | Front Grease Filters | 133.0073.623 | 133.0073.620 | 133.0073.620 | 133.0073.623 | 2 |
| 28 | Rear Grease Filters | 133.0073.624 | 133.0073.621 | 133.0073.621 | 133.0073.624 | 2 |
| 32 | Stainless Front Trim | 133.0335.895 | 133.0335.893 | 133.0335.893 | 133.0335.895 | 1 |

CRISTAL SS 30 / 36

control components

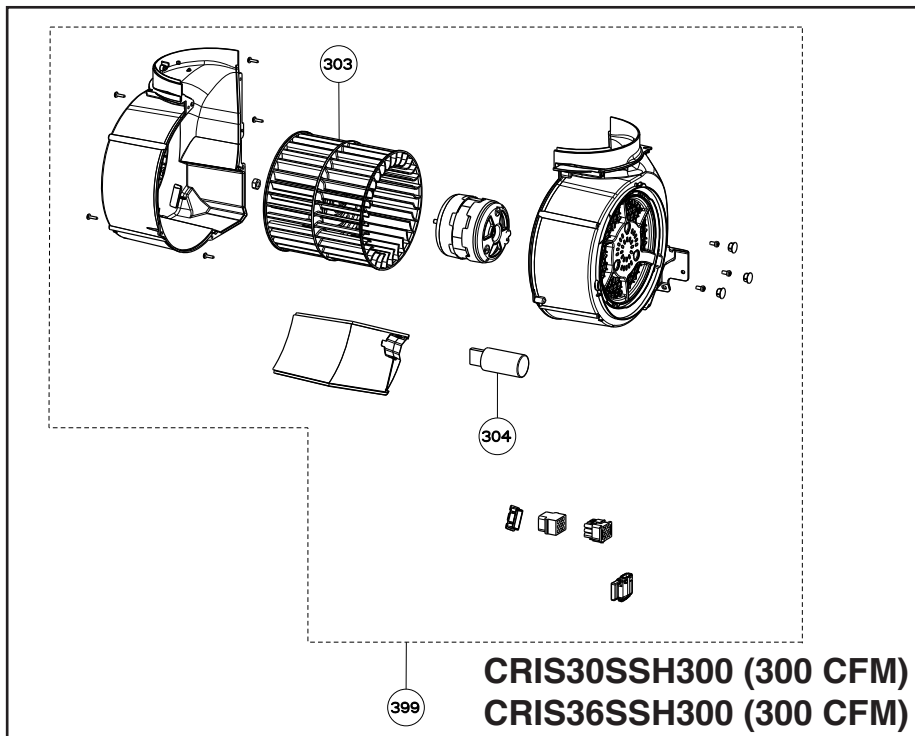
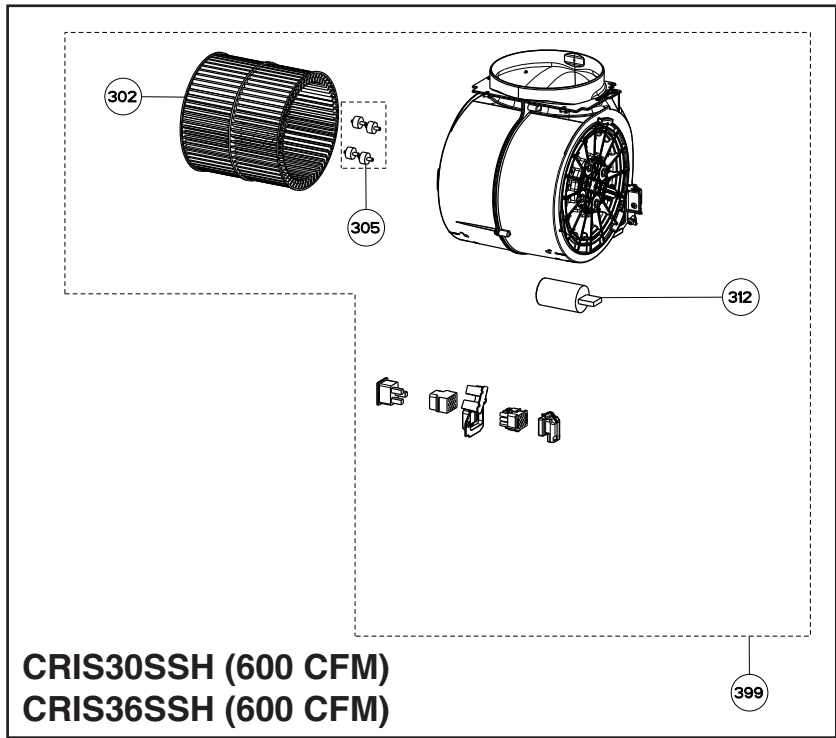


199

| | Model Number | CRIS30SSH | CRIS36SSH | CRIS30SSH300 | CRIS36SSH300 | |
|-----|-------------------|--------------|--------------|--------------|--------------|----------|
| Key | Description | 30 | 36 | 30 | 36 | Qty Req. |
| 199 | Control Board Kit | 133.0336.159 | 133.0336.159 | 133.0336.159 | 133.0336.159 | 1 |

CRISTAL SS 30 / 36

motor components



| | Model Number | CRIS30SSH | CRIS36SSH | CRIS30SSH300 | CRIS36SSH300 | |
|-----|-----------------------|--------------|--------------|--------------|--------------|----------|
| Key | Description | 30 | 36 | 30 | 36 | Qty Req. |
| 302 | Impeller | 133.0052.799 | 133.0052.799 | | | 1 |
| 305 | Rubber Motor Mount | 133.0051.604 | 133.0051.604 | | | 1 |
| 312 | Capacitor (25MF 250V) | 133.0060.648 | 133.0060.648 | | | 1 |
| 399 | Motor Kit | 133.0052.798 | 133.0052.798 | | | 1 |
| 303 | Impeller | | | 133.0178.632 | 133.0178.632 | 1 |
| 304 | Capacitor (14MF 240V) | | | 133.0071.827 | 133.0071.827 | 1 |
| 399 | Motor Kit | | | 133.0178.492 | 133.0178.492 | 1 |