



## LUXURIOUS STAINLESS WALL CYLINDER HOOD

Alongside four extraction settings, the Cylindra also includes an intensive speed function to boost extraction power. The Perimeter Aspiration technology helps to reduce the hood's noise and increase extraction efficiency.

## AVAILABLE MODELS

Model #	Size / Color	Motor Class (CFM)
CYLN15SS600	15" Stainless Steel	600 CFM PRO



THIS BEAUTIFUL STAINLESS STEEL CYLINDRA WALL HOOD FEATURES **ENERGY-SAVING** LED LIGHTING TO **ILLUMINATE** THE COOKTOP BELOW.



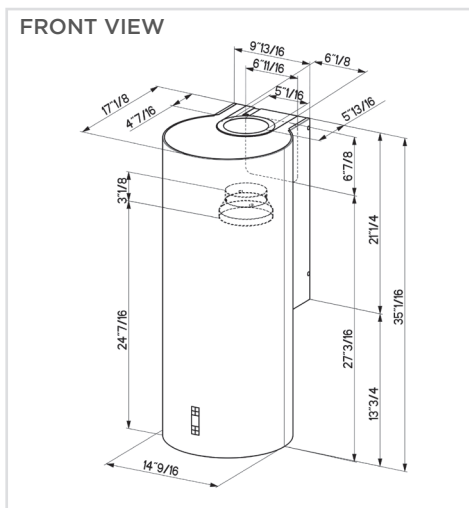
# CYLINDRA



MODEL	SIZE/MATERIAL	MOTOR CLASS
CYLN15SS600	15" Stainless Steel	600 CFM PRO

FEATURES		PERFORMANCE		ACCESSORIES
<b>Dimensions</b>		<b>Motor</b>		<b>FILTER2</b> Charcoal Filter Kit
Ceiling Height	N/A	No. of Fan Speeds	4	<b>CFMRED</b> CFM Reducer Kit 300 CFM
<b>Ducting</b>		<b>Display</b>		<b>CFMRED2</b> CFM Reducer Kit 400 CFM
Type	Ducted/Ductless with FILTER2	Motor Class	PRO 600 Metal Impellers	<b>REMORIG</b> Wireless Remote Control
Duct Size	Vari-Duct 6" Round Top	Perimeter Aspiration	Yes	<b>MUDAMPER6</b> 6" Make-up Air Kit
<b>Lighting</b>		<b>Other</b>		<b>MUDAMPER8</b> 8" Make-up Air Kit
Type	Energy-Efficient LED	Controls	LED Digital	
# of Bulbs	Two - 1 Watt - 2 level	Intensive Speed	10 Minutes	
<b>Grease Filters</b>		ADA Compliant	With Remote Control Purchase Separately	
Filter Type	Mesh	Remote Control		
Dishwasher Safe	Yes	Fixed Wiring Box	Yes	
Anti-Pollution Mode	24 Hour			
Filter Wash Alarm	Yes			

## DIMENSIONAL DRAWINGS



Rev2 722

800 Aviation Parkway, Smyrna, TN 37167 (508) 358-5353 | www.faberonline.com