

NEW MODEL

Cylindra Isola

Stainless island cylinder

Image Collection

LUXURY STYLING & FUNCTION

- Stunning stainless steel cylinder
- Artistic design, impeccable fit & finish
- Two halogen bulbs with 2 level lighting
- Dishwasher-safe grease filters
- Easy Mounting System
- 600 cfm internal PRO™ blower model
- Perimetric suction system
- Comfort Panel sound proofing
- Adjustable chimney structure

STATE OF THE ART CONTROLS

- Touch (LED) electronic controls
- 4 pre-set speeds plus Intensive Power Boost
- 24-hour kitchen anti-pollution mode
- 30 minute delayed shut-down mode
- Grease filter saturation indicator

DUCTING OPTIONS

- Top 6 " round
- Convertible to ductless, only filters needed



Note: Above photo shown without glass kit



ON AIR. SINCE 1955

Faber introduces the new Cylindra island hood, featuring a stainless steel cylinder with state of art LED push button controls and the innovative perimetric suction system to decrease sound and improve efficiency. Use the stainless cylinder alone or add the glass kit.



Size | Color

Model #

15 Stainless

CYLNIS15SS

a
c
c
e
s
s
o
r
i
e
s

Charcoal Filter

FILTER2



Glass Kit (36" x 25")

GLSCYLNIS

Flat glass "canopy" attaches to the bottom of the stainless cylinder to increase capture area and add design and flair



Note: Above photo shown with glass kit

CFM Reducer Kit

CFMRED

Reduces CFM to under 300 cfm for makeup air environments



Remote Control

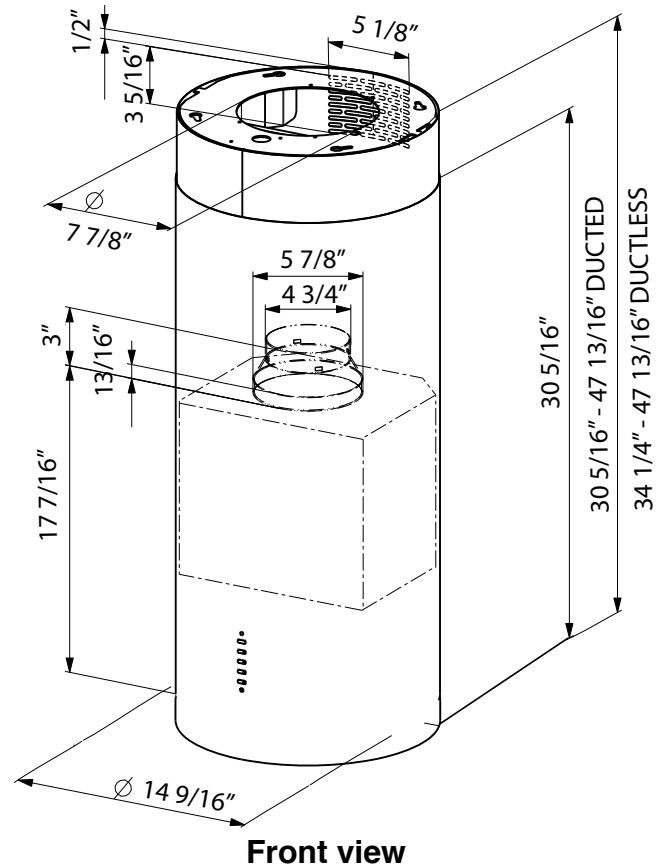
REMCTRL

Optional wireless remote control to operate the hood

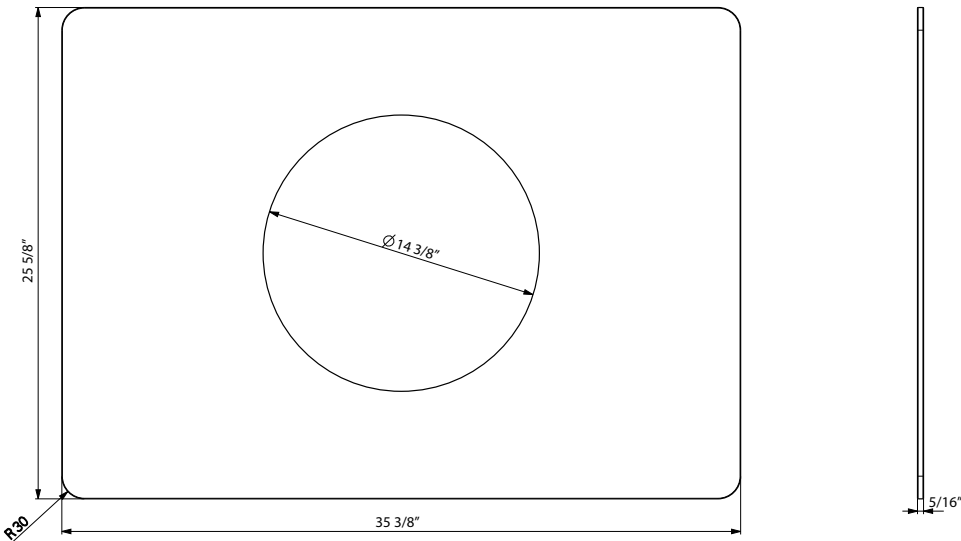


LED Electronic Controls

Dimensional Diagrams



Glass Kit



Pre-Planning Your Installation - Important: Consult the installation instructions before you begin installing this rangehood.

Make your ductrun as straight and short as possible. The ductrun should not exceed 35 equivalent feet if ducted with the required minimum of 6" round duct. Count 45° angles as 3 feet, 90° elbows as 5 feet, and 90° flat elbows as 12 feet.

For best results, use no more than three 90° elbows. Make sure that there is a minimum of 24" of straight duct between elbows if more than one is used. Do not install two elbows together. If you must elbow right away, do it as far away from the hood's exhaust opening as possible.

Rev. 07/11

WARNING! Product specifications are subject to change without notification. Consult the installation instructions before you begin installing this rangehood.