

A SLIM CANOPY HOOD. The improved Dama now with Variable Air Management is a slim canopy style 20" deep hood with advanced features and attractive styling. With LED lighting, 4 speed control and one piece body design, this value canopy hood delivers.

Now with  
**Variable Air Management**  
adjust CFM for  
your local codes

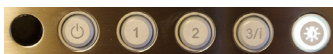


## AVAILABLE MODELS

Model #	Size / Color	Set your CFM Level	Sound Levels (sones)
DAMA30SSV	30 Stainless	295, 395, 600 CFM	2.8 - 7.5 sones
DAMA36SSV	36 Stainless	295, 395, 600 CFM	2.8 - 7.5 sones

**Note: set to 600 CFM motor class out of the box**

## KEY FEATURES



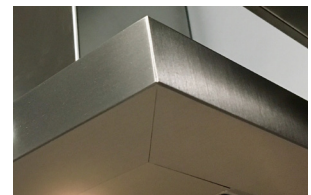
**Backlit Electronic Controls**  
Backlit electronic controls with a White LED light to indicate the current speed and LED lighting. Now you can adjust CFM's at installation from the control buttons.



**Remote Control (optional)**  
Control all features of the hood from the convenience of a wireless ADA compliant remote control. (sold separately)



**Baffle Grease Filters**  
Dishwasher safe SS metal filters capture grease and allow for easy clean up in the dishwasher.



**One Piece Body**  
Solid - one piece construction with hand wrapped & polished edges and seamless design

# DAMA

# WALL RANGE HOOD

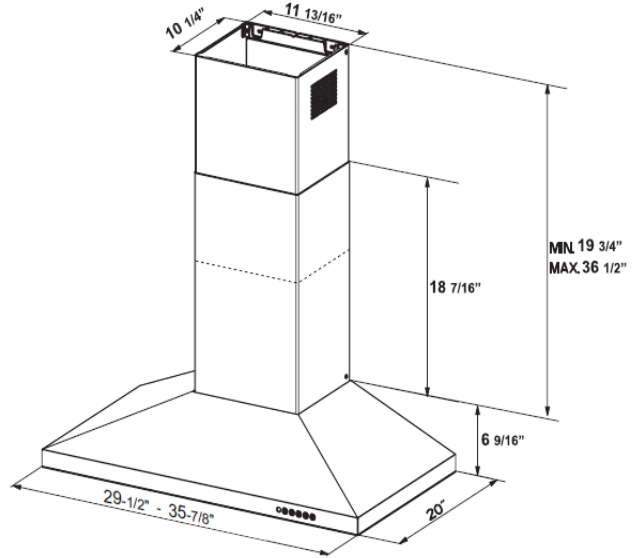


## DIMENSIONS

### SPECIFICATIONS

min / max ceiling height	7' 2 5/16" - 9' 1/16"
convertible to ductless / recirculating	yes - kit sold separately
canopy depth / height	20"   6 9/16"
high ceiling kit	yes - up to 11' 2 5/8"
<b>Variable Air Management</b>	<b>Yes (set to 295, 395, 600 CFM)</b>
controls	4 speed push button white LED
lighting	2 X 5 (w) LED
ducting top	6" round
grease filters	dishwasher safe stainless steel baffle
adjustable mounting hardware	yes
ADA compliant	yes - with remote control purchase
power cord	yes
AC input / AC Power	320 watts / 2.7 amps

### Ducted / Ductless



### PERFORMANCE

SPEED	1	2	3	BOOST
CFM	150	295	395	560
Sones	2.8	4.3	6.0	7.5

### MIN / MAX CEILING HEIGHTS

	DUCTED	RECIRC	HIGH CEILING
Min @ 24" OFF	7' 2 5/16"	7' 7 1/16"	9' 1 9/16"
Max @ 30" OFF	9' 1/16"	9' 1/16"	11' 2 5/8"

### ACCESSORIES

#### # FILTER2 - Charcoal Filter Kit

High quality charcoal filter for use when recirculating the air back into the kitchen. Filters out odor and should be replaced every 6 months.

#### # MUDAMPER6 / MUDAMPER8 - Universal Make-Up Air Damper

Satisfies make-up air requirements, this kit uses an air switch to activate the make-up air damper to open and bring fresh air into the home when the hood fan is on. It then closes tightly when the hood is off. The CFM level is not reduced with this accessory.

#### # HIGH3 - High Ceiling Chimney Kit

Extends the chimney for high ceilings up to 11' 4"

#### # REMCTRL2- Remote Control

Control all features of the hood from the convenience of a wireless remote control.

#### # DUCT4

##### Ductless Conversion Kit

To convert the Dama to ductless, this kit includes charcoal filters and a diverter to send the air thru the side grates on the upper chimney.

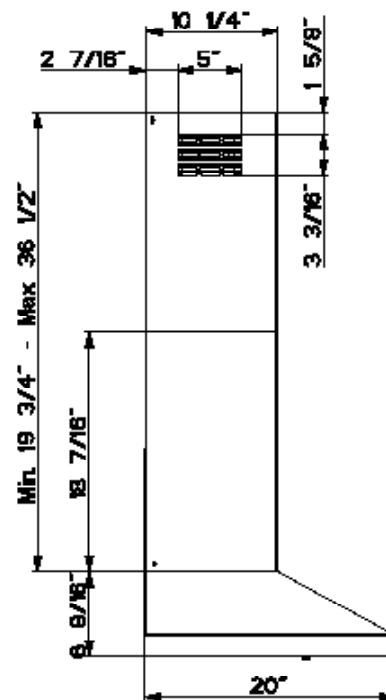
#### # WIREBOX - Fixed Wiring Box

Replace the power cord with a hard wired box to power the range hood.

#### # MESH2 / MESH3 - Mesh Grease Filter (30", 36")

Replace baffle filters with mesh filters

### Side



WARNING! Product specifications are subject to change without notification. Consult the installation instructions before you begin installing this range hood. \* Check local make up air codes for guidelines.

