

INCA LUX PLUS

INSERT

IMPROVE YOUR DAILY LIVING

The Inca Lux Plus nestles into any kitchen design with timeless good looks and a stainless steel finish. The Inca Lux Plus is easy to integrate into kitchen cabinets due to its slim depth, and the Perimeter Aspiration increases the extraction of cooking odors.

AVAILABLE MODELS

Model #	FUN #	Size / Color	Motor Class (CFM)
INLP28SSV	305.0679.265	28" Stainless Steel	295/395/600 CFM



THE INCA LUX PLUS LED BAR HAS A **TUNABLE LIGHT TEMPERATURE** FROM 2700 - 6000 KELVINS ADJUSTING TO SPECIFIC KITCHEN AMBIENCE.



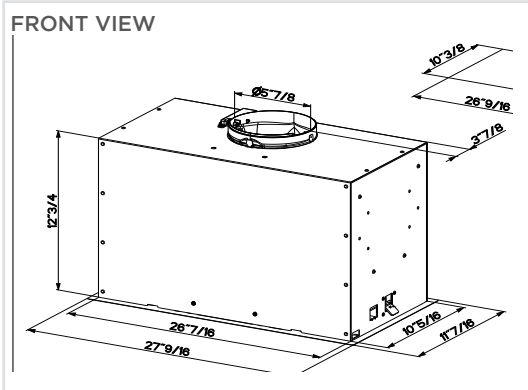
INCA LUX PLUS



MODEL	FUN #	SIZE/MATERIAL	MOTOR CLASS
INLP28SSV	305.0679.265	28" Stainless Steel	295/395/600 CFM

FEATURES		PERFORMANCE		ACCESSORIES
Dimensions		Motor		LINE30ST
Cabinet Cut Out	26 9/16" W x 10 7/16" D	No. of Fan Speeds	4	30" SS Liner (16 - 17 7/8" D) - Use with INLX28
Height Inside Cabinet	12 3/4"	Motor Class	295/395/600	LINE36ST
		Variable Air Management	Ability to set to 295, 395, 600 CFM	36" SS Liner (16 - 17 7/8" D) - Use with INLX28
Ducting				FILTER1
Type	Ducted/ Recirculating with FILTER1/FILTER1LL2	Perimeter Aspiration	Yes	Charcoal Filter Kit
		Sound PRO Motor	Yes	FILTER1LL2
Duct Size	Top 6" Round	Display		Long Lasting Charcoal Filter
Lighting		Controls		REMORIG
Type	LED Bar	Electronic With White LED		Wireless Remote Control
# of Bulbs	One - 4 Watt - 2 Level	Intensive Speed		WIREBOX3
Tunable Lights	Change Light Temperature From Warm - Cool	Delay Shut-off		Fixed Wiring Box
		15 Minutes		MUDAMPER6
Grease Filters		Other		6" Make-up Air Kit
Filter Type	Mesh	ADA Compliant	With Remote Control	MUDAMPER8
Dishwasher Safe	Yes	Faber Cloud App	Control with Mobile Device	8" Make-up Air Kit
Filter Wash Alarm	Yes	Voice Activated	Apple Siri, Google Home or Amazon Alexa	LINSPT301228
Anti-Pollution	24 Hour	Remote Control	Purchase Separately	30" Self Supporting Liner (17 1/2" - 20 1/2" D)
		Power Cord Included	Yes	LINSPT361228
				36" Self Supporting Liner (17 1/2" - 20 1/2" D)

DIMENSIONAL DRAWINGS



Rev4 223

800 Aviation Parkway, Smyrna, TN 37167 (508) 358-5353 | www.faberonline.com