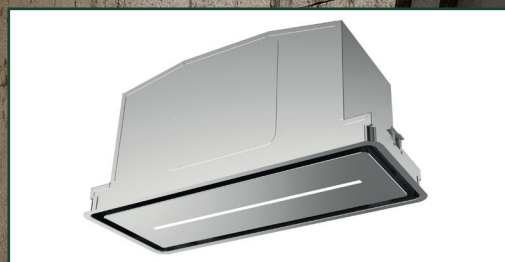


INCA IN-LIGHT INSERT RANGE HOOD



INSERT VENTILATION TO PAIR WITH CURRENT KITCHEN TRENDS. An elegant, built in flush mounted range hood now with VAM Technology and a depth of 11 1/4" making it an ideal choice for shallow depth cabinetry and perfect for kitchen remodeling projects. The sleek stainless steel panel mounts flush for a clean fully integrated look and can be accented with a liner accessory.

Now with
Variable Air Management
adjust CFM for
your local codes

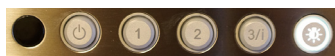


AVAILABLE MODELS

Model #	Size / Color	Choose your own CFM	Sound Levels (sones)
INLT28SSV	28 Stainless	295, 395, 600 CFM	2.8 - 7.5 sones

Note: Set to 600 CFM motor class out of the box.

KEY FEATURES



Backlit Electronic Controls

Backlit electronic controls with a White LED light to indicate the current speed and LED lighting. Now you can adjust CFM's at installation from the control buttons.



LED Light Bar

Low consumption 1 watt LED bulbs light up your cooking but use very little energy

Perimeter Aspiration

Air is forced through narrow slots around the perimeter of the center panel greatly improving contaminant extraction.



Remote Control (INCLUDED)

Control all features of the hood from the convenience of a wireless ADA compliant remote control.

INCA IN-LIGHT

INSERT RANGE HOOD

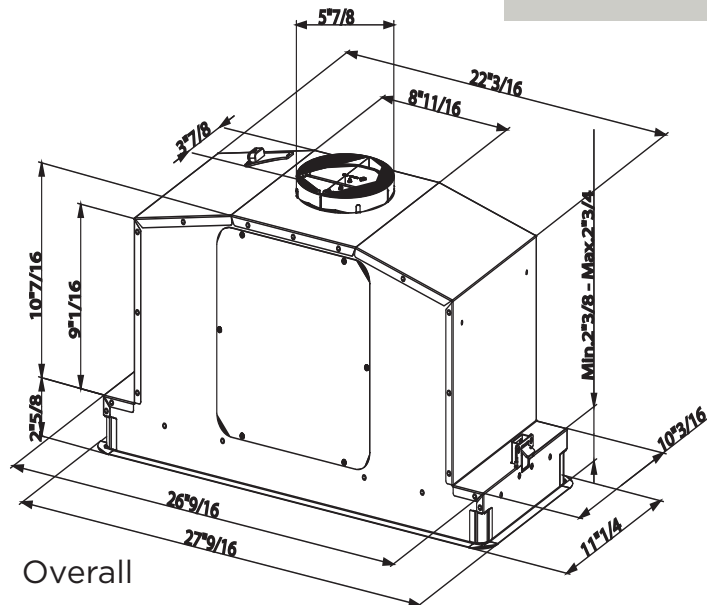
FABER

AIR MATTERS

SPECIFICATIONS

cut out dimensions	27 9/16" w x 11 1/4" d
convertible to ductless / recirculating	yes - with FILTER1
body depth height	11 1/4" 12 1/8"
Variable Air Management	Yes- (set to 295, 395, 600 CFM)
controls	4 speed electronic w/ white LED
lighting	LED light bar
ducting top	6" round
grease filters	dishwasher safe mesh
perimetric filtration system	yes
10 minute intensive speed	yes
15 minute auto shut off	yes
ADA compliant	yes - remote included
power cord included	yes
AC power	400 watts / 3.2 amps

DIMENSIONS



PERFORMANCE

	SPEED	1	2	3	BOOST
CFM		150	295	395	560
Sones		2.8	4.3	6.0	7.5

ACCESSORIES

FILTER1 - Charcoal Filter Kit

High quality charcoal filter for use when recirculating the air back into the kitchen. Filters out odor and should be replaced every 6 months

FILTER1LL - Long Lasting Charcoal Filter Kit

New washable charcoal filter can be recharged and washed up to 8 times. For use when recirculating the air back into the kitchen. Filters out odor and can last up to 4 years.

LINE30ST / LINE36ST - Stainless Steel Liner 30 & 36"

Create a perfectly-sealed, non-combustible 4" tall perimeter to "line" the wood below the hood. Depth adjustable from 16" - 17 7/8".

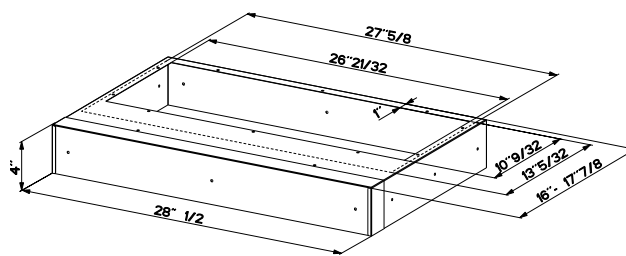
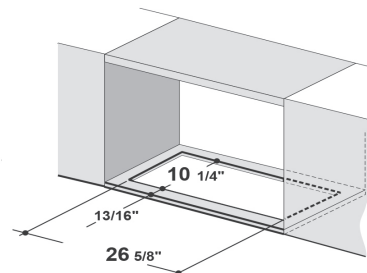
MUDAMPER6 / MUDAMPER8 - Universal Make-Up Air Damper

Satisfies make-up air requirements, this kit uses an air switch to activate the make-up air damper to open and bring fresh air into the home when the hood fan is on. It then closes tightly when the hood is off. The CFM level is not reduced with this accessory.

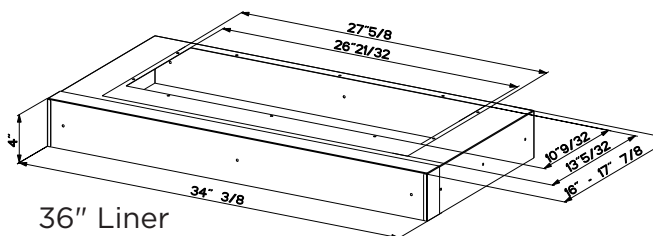
WIREBOX - Fixed Wiring Box

Replace the power cord with a hard wired box to power the range hood

Cut Out



30" Liner



36" Liner

WARNING! Product specifications are subject to change without notification. Consult the installation instructions before you begin installing this range hood. * Check local make up air codes for guidelines.

