



## TIMELESS GOOD LOOKS

The new Inca Lux is equipped with a LED light bar and Faber's exclusive Sound Pro technology, making it more discreet than before..

## AVAILABLE MODELS

Model #	FUN #	Size / Color	Motor Class (CFM)
<b>INLX21SSV2</b>	305.0679.264	21" Stainless Steel	295/395/600 CFM
<b>INLX28SSV2</b>	305.0679.263	28" Stainless Steel	295/395/600 CFM
<b>INLX35SSV2</b>	305.0679.262	35" Stainless Steel	295/395/600 CFM



THE INCA LUX NESTLES INTO ANY KITCHEN DESIGN WITH **TIMELESS GOOD LOOKS** AND FLUSH MOUNTED FEATURE. THE INCA LUX IS EASY TO INSTALL WITH THE EASY SNAP INSTALLATION PANEL ATTACHED.



# INCA LUX

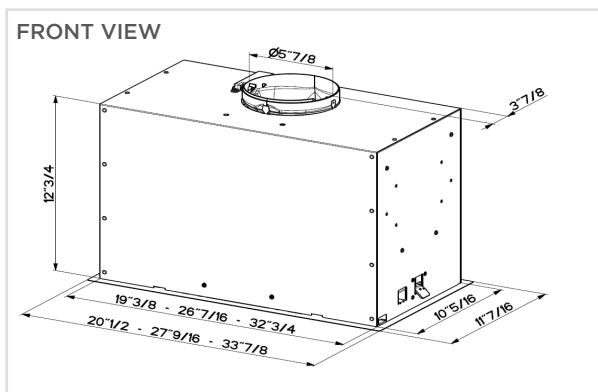
INSERT



MODEL	FUN #	SIZE/MATERIAL	MOTOR CLASS
<b>INLX21SSV2</b>	305.0679.264	21" Stainless Steel	295/395/600 CFM
<b>INLX28SSV2</b>	305.0679.263	28" Stainless Steel	295/395/600 CFM
<b>INLX35SSV2</b>	305.0679.262	35" Stainless Steel	295/395/600 CFM

FEATURES		PERFORMANCE		ACCESSORIES
<b>Dimensions</b>		<b>Motor</b>		<b>LINE30ST</b>
UPDATED: Cabinet Cut Out 21" / 28"	19 1/2" / 26 7/16" W x 10 7/16" D	No. of Fan Speeds	4	30" SS Liner (16 - 17 7/8" D) - Use with INLX28
Cabinet Cut Out 35"	32 7/8" W x 10 7/16" D	Motor Class	295/395/600	<b>LINE36ST</b>
Height Inside Cabinet	12 3/4"	Variable Air Management	Ability to set to 295, 395, 600 CFM	36" SS Liner (16 - 17 7/8" D) - Use with INLX28
<b>Ducting</b>		Sound Pro	Yes	<b>LINE36PT</b>
Type	Ducted/ Recirculating with FILTER1/FILTER1LL2	Perimeter Aspiration	Yes	36" SS Liner (16 - 17 7/8" D) - Use with INLX35
Duct Size	Top 6" Round	<b>Display</b>		<b>FILTER1</b>
<b>Lighting</b>		Controls	Electronic With White LED	Charcoal Filter Kit
Type	LED Bar	Intensive Speed	10 Minutes	<b>FILTER1LL2</b>
# of Bulbs	One - 4 Watt - 1 Level	Delay Shut-off	15 Minutes	Long Lasting Charcoal Filter
<b>Grease Filters</b>		<b>Other</b>		<b>REMORIG</b>
Filter Type	Mesh	ADA Compliant	With Remote Control	Wireless Remote Control
Dishwasher Safe	Yes	Remote Control	Purchase Separately	<b>WIREBOX3</b>
<b>Easy Snap Clip Installation</b>	Yes	Power Cord Included	Yes	Fixed Wiring Box
				<b>WIREBOX3</b>
				Fixed Wiring Box
				<b>MUDAMPER6</b>
				6" Make-up Air Kit
				<b>MUDAMPER8</b>
				8" Make-up Air Kit
				<b>LINSPT301228</b>
				30" Self Supporting Liner (17 1/2" - 20 1/2" D)
				<b>LINSPT361228</b>
				36" Self Supporting Liner (17 1/2" - 20 1/2" D)

## DIMENSIONAL DRAWINGS



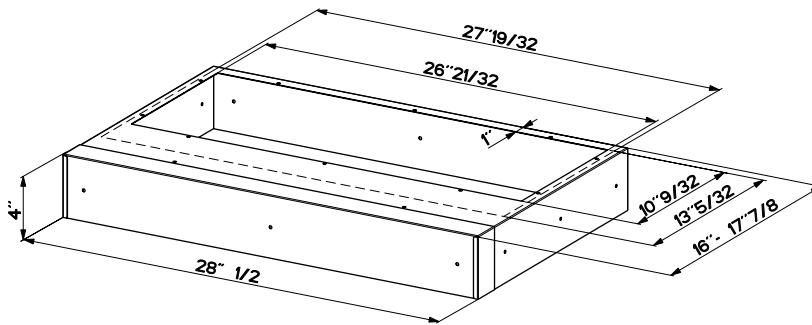
Rev4 123

800 Aviation Parkway, Smyrna, TN 37167 (508) 358-5353 | www.faberonline.com

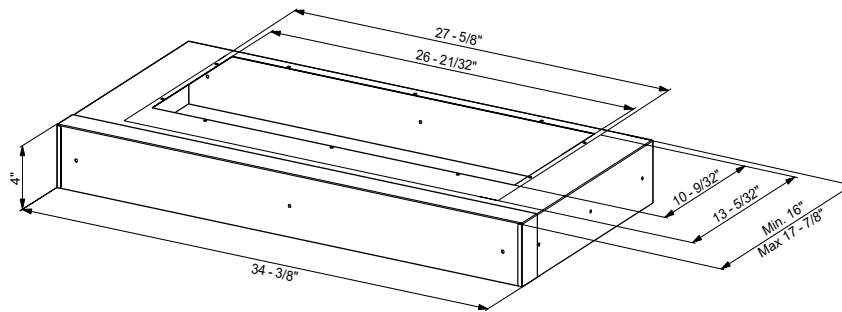
## LINER SPECIFICATIONS

Liners are stainless steel kits that are optional for cabinet insert hoods. They create a metal perimeter to “line” the wood below the range hood with metal. They create a more finished look and move the range hood up creating additional capture area. In some cases, a liner is may be required by local code if the cabinet starts at below 30” off the stove (check local building codes). All liners are adjustable in depth with a telescoping frame.

**LINE30ST - USE WITH INLX28ONLY FOR 30” WIDE CABINETS**

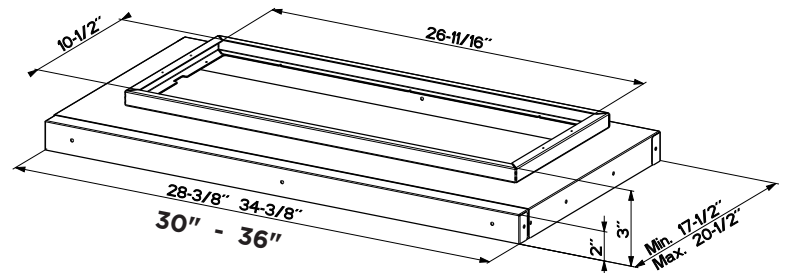


**LINE36ST - USE WITH INLX28ONLY FOR 36” WIDE CABINETS**



**LINSPT301228 / LINSPT361228 SELF SUPPORTING LINER USE WITH INLX28ONLY**

The liner is installed with screws against the walls of the cabinet, aligned with the cabinet bottom. The hood is installed onto the thick metal interior portion of the liner and is fully supported by the liner.



Rev1 123