



STUNNING, SLEEK VENTILATION

The Inca Lux by Faber features a sleek stainless panel which hides the grease filters behind it and reduces noise. With an advanced Perimetric filter system, VAM technology, electronic controls, and an optional remote control, the Inca Lux packs a lot of features in small body that fits into 12" deep cabinets.

AVAILABLE MODELS

Model #	Size / Color	Motor Class (CFM)
INLX21SSV	21" Stainless Steel	295/395/600 CFM
INLX28SSV	28" Stainless Steel	295/395/600 CFM
INLX35SSV	35" Stainless Steel	295/395/600 CFM



THE INCA LUX NESTLES INTO ANY KITCHEN DESIGN WITH **TIMELESS GOOD LOOKS** AND A STAINLESS STEEL FINISH. THE INCA LUX IS EASY TO INTEGRATE INTO KITCHEN CABINETS DUE TO ITS SLIM DEPTH, AND THE PERIMETER ASPIRATION INCREASES THE EXTRACTION OF COOKING ODORS.



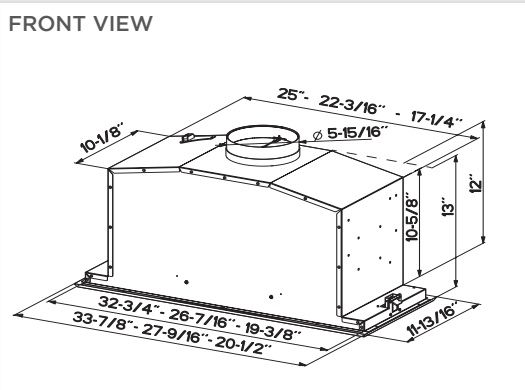
INCA LUX

MODEL	SIZE/MATERIAL	MOTOR CLASS
INLX21SSV	21" Stainless Steel	295/395/600 CFM
INLX28SSV	28" Stainless Steel	295/395/600 CFM
INLX35SSV	35" Stainless Steel	295/395/600 CFM



FEATURES		PERFORMANCE		ACCESSORIES
Dimensions		Motor		LINE30ST
Cabinet Cut Out 21"/ 28"	19 1/2" / 26 5/16" W x 10 1/4" D	No. of Fan Speeds	4	30" SS Liner (16 - 17 7/8" D) - Use with INLX28
Cabinet Cut Out 35"	32 7/8" W x 10 1/4" D	Motor Class	295/395/600	LINE36ST
Height Inside Cabinet	13 1/16"	Variable Air Management	Ability to set to 295, 395, 600 CFM	36" SS Liner (16 - 17 7/8" D) - Use with INLX28
Ducting		Perimeter Aspiration	Yes	LINE36PT
Type	Ducted/ Recirculating with FILTER1/FILTER1LL2	Energy-Efficient Motor	Yes	36" SS Liner (16 - 17 7/8" D) - Use with INLX35
Duct Size	Top 6" Round	Display		FILTER1
Lighting		Controls	Electronic With White LED	Charcoal Filter Kit
Type	Energy-Efficient LED	Intensive Speed Delay Shut-off	10 Minutes 15 Minutes	FILTER1LL2
# of Bulbs	Two - 5 Watt - 1 Level	Other		Long Lasting Charcoal Filter
Grease Filters		ADA Compliant	With Remote Control	REMORIG
Filter Type	Mesh	Remote Control	Purchase Separately	Wireless Remote Control
Dishwasher Safe	Yes	Power Cord	Included	WIREBOX
Installation Hardware				Fixed Wiring Box
Easy Snap Mounting Clips				MUDAMPER6
				6" Make-up Air Kit
				MUDAMPER8
				8" Make-up Air Kit
				LINSPT301228
				30" Self Supporting Liner (17 1/2" - 20 1/2" D)
				LINSPT361228
				36" Self Supporting Liner (17 1/2" - 20 1/2" D)

DIMENSIONAL DRAWINGS



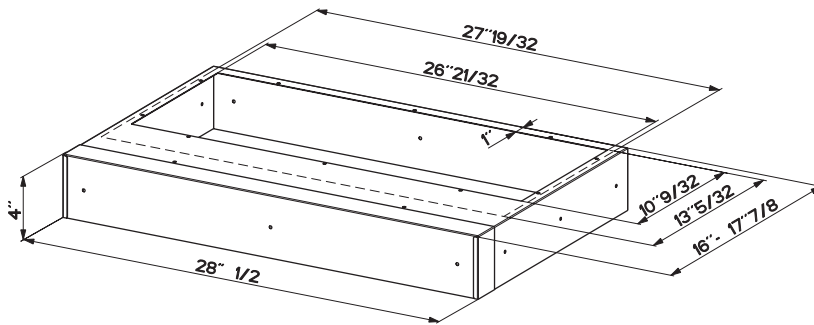
Rev4 1022

800 Aviation Parkway, Smyrna, TN 37167 (508) 358-5353 | www.faberonline.com

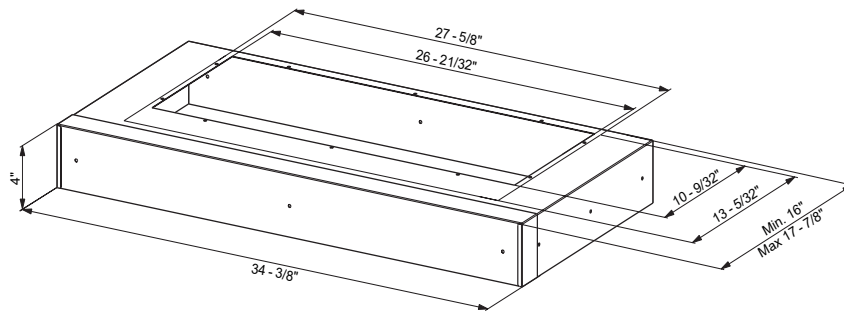
LINER SPECIFICATIONS

Liners are stainless steel kits that are optional for cabinet insert hoods. They create a metal perimeter to “line” the wood below the range hood with metal. They create a more finished look and move the range hood up creating additional capture area. In some cases, a liner may be required by local code if the cabinet starts at below 30” off the stove (check local building codes). All liners are adjustable in depth with a telescoping frame.

LINE30ST - USE WITH INLX28 ONLY FOR 30” WIDE CABINETS

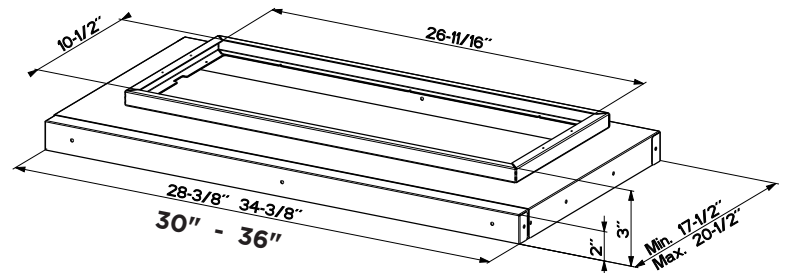


LINE36ST - USE WITH INLX28 ONLY FOR 36” WIDE CABINETS



LINSPT301228 / LINSPT361228 SELF SUPPORTING LINER USE WITH INLX28 ONLY

The liner is installed with screws against the walls of the cabinet, aligned with the cabinet bottom. The hood is installed onto the thick metal interior portion of the liner and is fully supported by the liner.



Rev4 1022