

A STUNNING OPTION IN INSERT VENTILATION. The updated Inca Lux by Faber features a sleek stainless panel which hides the grease filters behind it and reduces noise. With this advanced Perimetric filter system, the hood doesn't have to work as hard to get the job done. With advanced electronic controls, VAM for CFM management, an optional remote control and LED lights, the Inca Lux packs a lot of features in small body that fits into 12" deep cabinets.

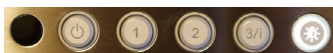


AVAILABLE MODELS

Model #	Size / Color	Set your CFM level	Sound Levels (sones)
INLX21SSV	21" Stainless	295, 395, 600 CFM	2.8 - 7.5
INLX28SSV	28" Stainless	295, 395, 600 CFM	2.8 - 7.5
INLX35SSV	35" Stainless	295, 395, 600 CFM	2.8 - 7.5

Note: Set to 600 CFM motor class out of the box.

KEY FEATURES



Backlit Electronic Controls

Backlit electronic controls with a White LED light to indicate the current speed and LED lighting. Now you can adjust CFM's at installation from the control buttons.



Perimetric Filter System

Stainless panel increases efficiency and decreases noise levels



Remote Control (optional)

Control all features of the hood from the convenience of a ADA compliant wireless remote control (sold separately)



Easy Snap Mounting Clips

Installation with easy with built-in adjustable clips that tighten onto the sides of the cabinet floor

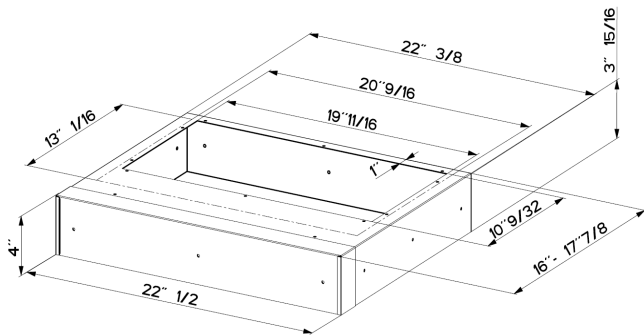
INCA LUX INSERT RANGE HOOD



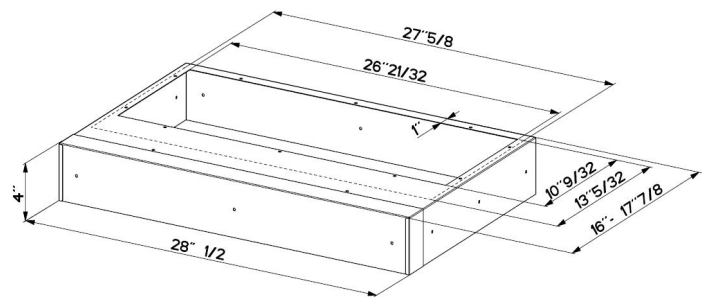
LINER SPECIFICATIONS

Liners are stainless steel kits that are optional for cabinet insert hoods. They create a metal 4" tall perimeter to "line" the wood below the range hood with metal. They create a more finished look and move the range hood up 4" creating additional capture area. In some cases, a liner may be required by local code if the cabinet starts at below 30" off the stove (check local building codes). All liners are adjustable in depth with a telescoping frame.

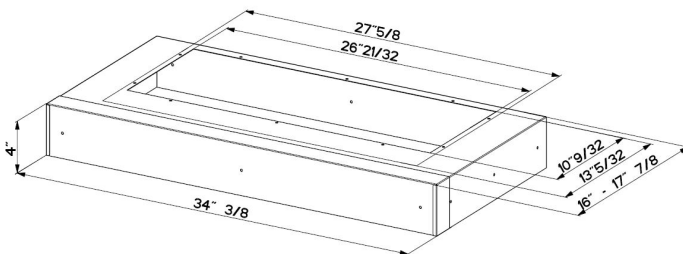
LINE24ST - USE WITH INLX21SSV



LINE30ST - USE WITH INLX28SSV ONLY FOR 30" WIDE CABINETS



LINE36ST - USE WITH INLX28SSV



LINE36PT - USE WITH INLX35SSV

