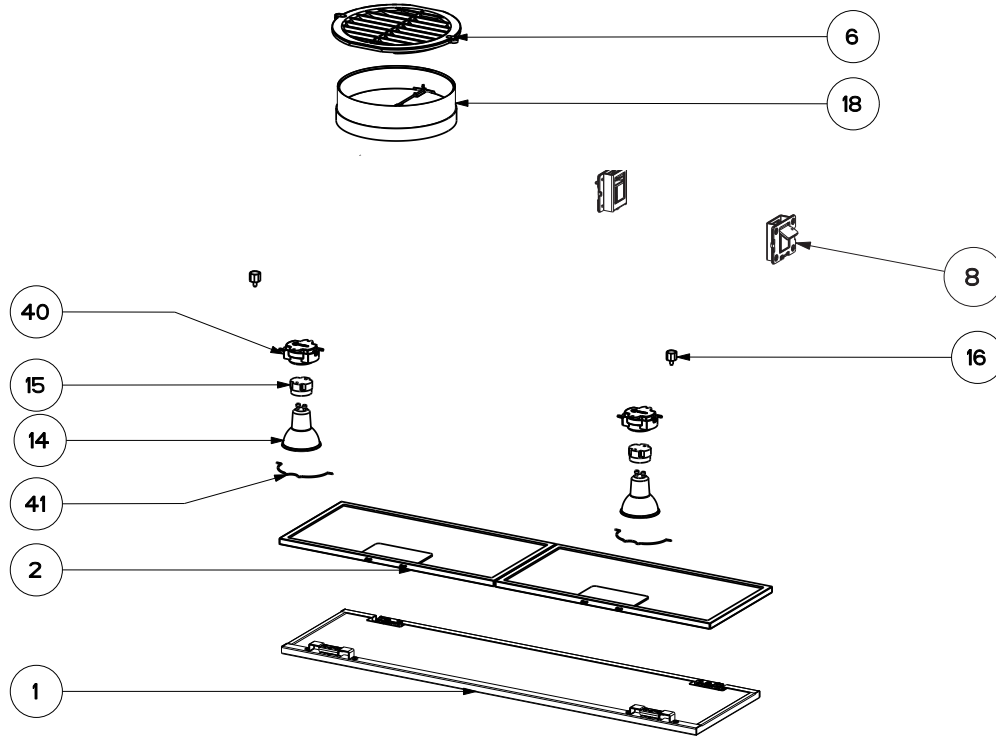


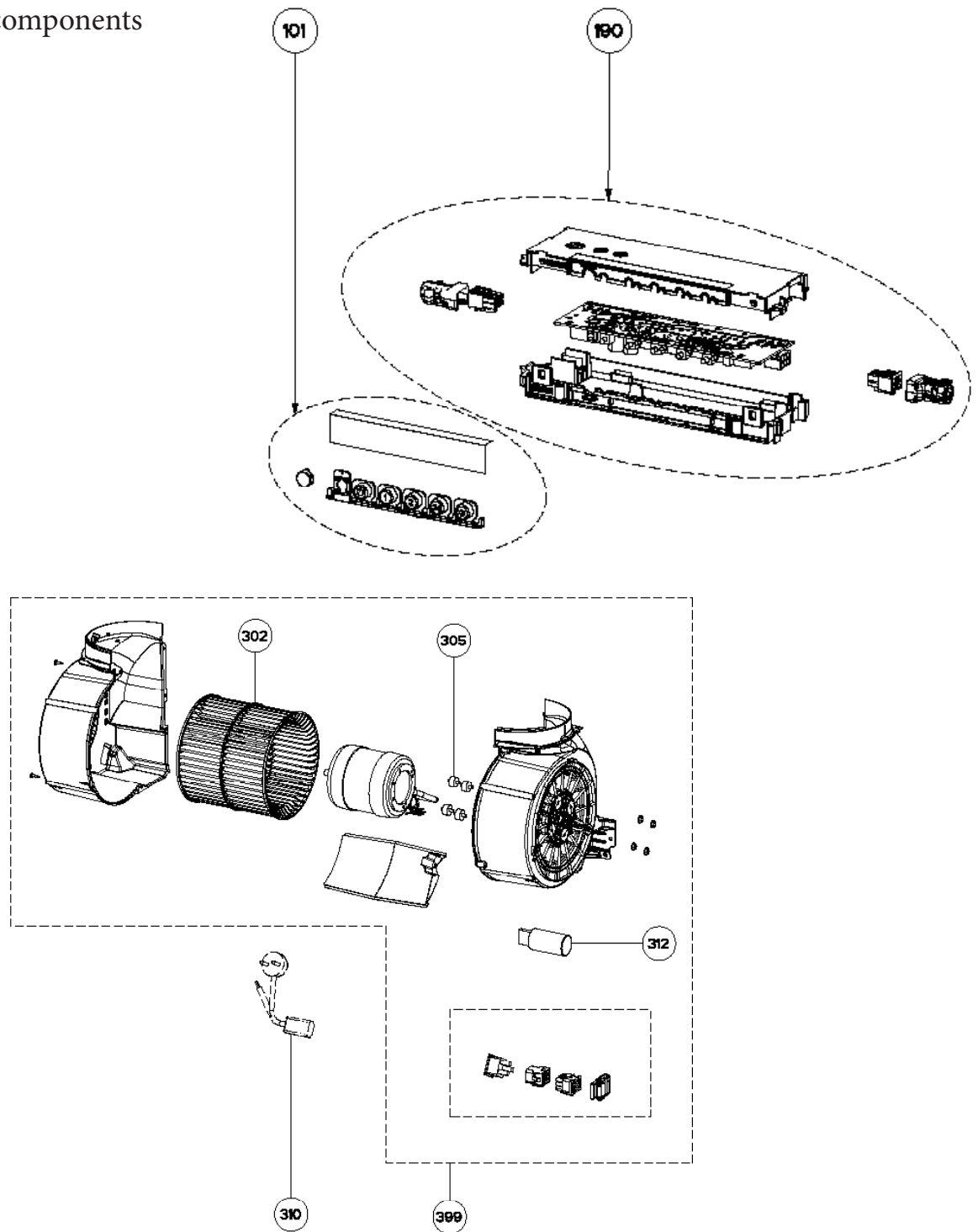
INCA LUX SSV 2019

body components



	Model Number	INLX21SSV	INLX28SSV	INLX35SSV	
Key	Description	21 Stainless	28 Stainless	35 Stainless	Qty Req.
1	Stainless Perimetric Panel (No Magnets) Serials # starting before 917	133.0381.692	133.0381.748		1
1	Stainless Perimetric Panel (Magnets) Serial # 917 and later	133.0578.413	133.0578.348	133.0578.644	1
2	Grease Filter	133.0304.806	133.0331.312	133.0304.676	1 (21") 2 (28", 35")
6	Vent Grate	133.0016.964	133.0016.964	133.0016.964	1
8	Hinge Clips	133.0017.524	133.0017.524	133.0017.524	1
14	LED Lamp 5 W GU10	133.0486.867	133.0486.867	133.0486.867	2
15	Lamp Holder	133.0071.013	133.0071.013	133.0071.013	1
16	Magnet Serial # 917 and later	133.0569.132	133.0569.132	133.0569.132	1
18	Damper	133.0055.994	133.0055.994	133.0055.994	1
40	Lampholder Support	133.0198.226	133.0198.226	133.0198.226	1
41	Bulb Clip	133.0200.447	133.0200.447	133.0198.226	1

Controls / motor components



Key	Model Number	INLX21SSV	INLX28SSV	INLX35SSV	Qty Req.
101	Control Button Kit	133.0380.478	133.0380.478	133.0380.478	1
190	Control Board Kit	133.0524.811	133.0524.811	133.0524.811	1
302	Impeller Kit	133.0052.799	133.0052.799	133.0052.799	1
305	Rubber Motor Mount	133.0051.604	133.0051.604	133.0051.604	1
310	Power Cord	133.0381.468	133.0381.468	133.0381.468	1
312	25 MF Capacitor	133.0060.648	133.0060.648	133.0060.648	1
399	Motor Kit	133.0554.637	133.0554.637	133.0554.637	1