

INCA PRO 18

INSERT

COMMERCIAL GRADE EXTRACTION

Inca Pro 18 offers maximum user experience with an intuitive responsive touch control panel for easy operation. The commercial grade motor and stainless steel baffles effectively venting the grease and odors making the home's air cleaner.

AVAILABLE MODELS

Model #	FUN #	Size / Color	Motor Class (CFM)
INPL32SS1200	305.0679.085	32" Stainless Steel	PRO 1200 Metal Impellers
INPL44SS1200	305.0679.086	44" Stainless Steel	PRO 1200 Metal Impellers



INCA PRO 18 IS EQUIPPED WITH **TWO PRO METAL BLOWERS** AT 1200 CFM DELIVERING POWERFUL EXTRACTION TO TAKE CARE OF EVEN THE STRONGEST OF COOKING ODORS



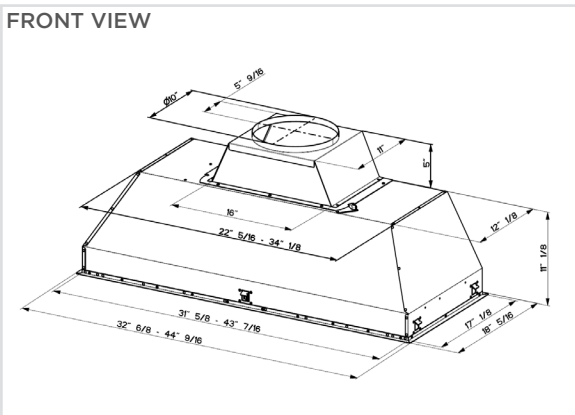
INCA PRO 18



MODEL	FUN #	SIZE/MATERIAL	MOTOR CLASS
INPL32SS1200	305.0679.085	32" Stainless Steel	PRO 1200 Metal Impellers
INPL44SS1200	305.0679.086	44" Stainless Steel	PRO 1200 Metal Impellers

FEATURES		PERFORMANCE		ACCESSORIES
Dimensions		Motor		FILTER1
Cabinet Cut Out 32"	31 7/8" W x 17 3/8" D	No. of Fan Speeds	4	Charcoal Filter Kit (2x required)
Cabinet Cut Out 44"	43 11/16" W x 17 3/8" D	Motor Class	PRO 1200 Metal Impellers	FILTER1LL2
Height Inside Cabinet	11 1/8" (5" more for transition)	PRO Motor	Yes	Long Lasting Charcoal Filter Kit (2x required)
Ducting		Display		WIREBOX
Type	Ducted/ Recirculating with FILTER1/FILTER1LL2 (2x required)	Controls	Electronic With White LED	Fixed Wire Box
Duct Size	Top 10" Round	Delay Shut-Off	15 Minutes	REMORIG
Lighting		Intensive Speed	10 Minutes	Wireless Remote Control
Type	Energy-Efficient LED	Other		MUDAMPER10
# of Bulbs - 32"	Two - 1 Watt - 1 Level	ADA Compliant	With Remote Control	10" Make-up Air Kit
# of Bulbs - 44"	Four - 1 Watt - 1 Level	Remote Control	Purchase Separately	
Grease Filters		Power Cord Included	Yes	
Filter Type	Pro stainless steel baffle			
Dishwasher Safe	Yes			
Diswasher Safe Grease Rail	Yes			
Easy Snap Clip Installation	Yes			

DIMENSIONAL DRAWINGS



Rev3 123