

# Inca Pro 30 Insert Hood

professional built in range hood



A high-powered insert that looks as great as it performs. The Inca Pro 30, with its powerful PRO motor and stylish baffle filter system, offers an all-in-one-box solution for custom ventilating. For extra capture area and style, the stainless steel liner is available.

Model #	Size   Color	Performance Range	Sound Levels
INPR30SSIB	30 Stainless	200 - 600 CFM	3.5 - 6.5 sones



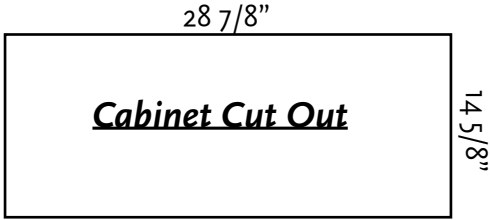
## Feature Chart

Min. / Max. Ceiling Height	N / A
Cabinet Cut Out	28 7/8" W / 14 5/8"D
Convertible to Recirculating	Yes - charcoal filter needed, need air return back into kitchen out of the cabinet
Controls	3 Speed Slider
Lighting	2 X 45 (W) Halogen
Ducting Top	6" Round
Grease Filters	dishwasher safe SS baffle filter
Built In Mounting Hardware	Yes - Easy Snap Mounting Clips
AC Input	120 V - 60 hz
AC Power	Max 540 W at 4.6 A
<b>Annual Electricity Costs</b>	<b>\$6.40 / Year *</b>

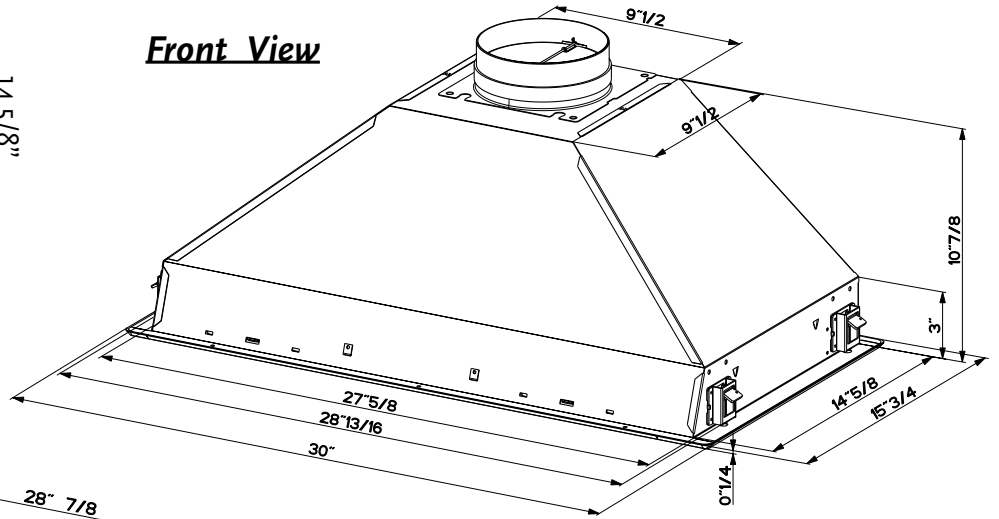
\* Note – ran 30 minutes a day on low speed, 365 days, using the North American average of 12.2 cents per kWh.  
p.o. box 435 • Wayland, MA 01778 • tel: (508) 358-5353 • fax: (508) 358-5730 • e-mail: info@faberonline.com • www.faberonline.com

## Dimensional Diagrams

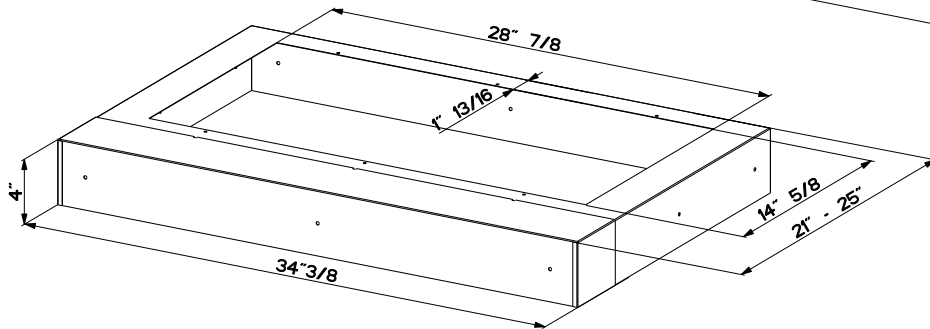
(see installation instructions for more information)







**Front View**



**LINE36PR Dimensions**



## ACCESSORIES

<p><b>Stainless Liners</b></p> <p>Create a perfectly-sealed, non-combustible 4" tall perimeter to "line" the wood below the Inca Pro 30. Depth adjustable from 21" - 25".</p>	<p># LINE36PR</p>	
<p><b>Charcoal Filters</b></p> <p>For recirculating installations, high quality, heavy duty filters ensure the removal of smoke and odors from the kitchen. Some ductwork is required to exhaust the unit out of the cabinet.</p>	<p># FILTER1</p>	
<p><b>CFM Reducer Kit</b></p> <p>For use in make up air environments where an under 300 cfm hood is required. This kit reduces the ducting to 5" round and reduces the cfm to under 300</p>	<p># CFMRED</p>	
<p><b>Universal Make-Up Air Damper</b></p> <p>Satisfies current make-up air requirements, this kit uses an air switch above the hood to activate the make-up air damper to open and bring fresh air into the home whenever the hood fan is operating and then close tightly when the hood is off. The CFM level is not reduced by using this kit.</p>	<p># MUDAMPER6 / MUDAMPER8 (6") (8")</p>	



**WARNING!** Product specifications are subject to change without notification. Consult the installation instructions before you begin installing this rangehood.