

INCA SMART GR

INSERT

NEW AND IMPROVED VERSATILE BUILT IN RANGE HOOD

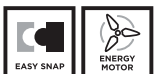
The Inca Smart insert is perfect when you want the hood to hide. This compact insert fits easily into upper cabinets as small as the standard 12" depth and features an exceptionally well finished bottom in painted gray.

AVAILABLE MODELS

Model #	Size / Color	Motor Class (CFM)
INSM21GR240	21" Painted Gray	240 CFM
INSM28GR240	28" Painted Gray	240 CFM



THE SIMPLE BUT CLASSIC SHAPE OF THE INCA SMART MAKES IT PERFECT FOR A **CONTEMPORARY** STYLE KITCHEN. THE HOOD'S DESIGN FEATURES A GREY PANEL WITH **ENERGY EFFICIENT** LIGHTING AND EASILY INSTALLS WITH THE EASY SNAP MOUNTING CLIPS.



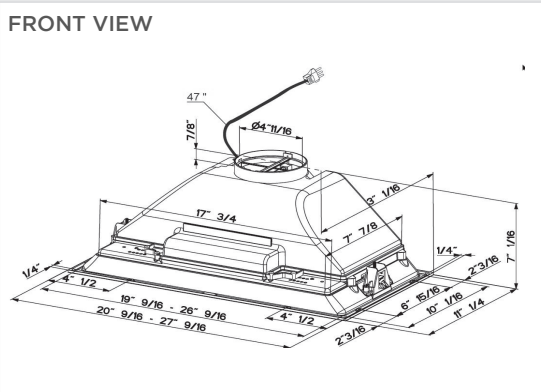
INCA SMART GR

MODEL	SIZE/MATERIAL	MOTOR CLASS
INSM21GR240	21" Painted Gray	240 CFM
INSM28GR240	28" Painted Gray	240 CFM



FEATURES		PERFORMANCE		ACCESSORIES
Dimensions		Speed		LINE30ST
Cabinet Cut Out 21"	19 9/16" W x 10 1/2" D	No. of Fan Speeds	3	30" SS Liner (16 - 17 7/8" D)
Cabinet Cut Out 28"	26 9/16" W x 10 1/2" D	Motor Class	240	LINE36ST
Body Width/Depth	20 9/16" or 27 5/8" W x 10 1/4" D	Energy-Efficient Motor	Yes	36" SS Liner (16 - 17 7/8" D)
Height Inside Cabinet	7 1/16"	Display		FILTER4
Ducting		Controls	Slider	Charcoal Filter Kit
Type	Ducted/ Recirculating with FILTER4	Other		LINSPT301228
Duct Size	Top 5" Round	ADA Compliant	Separate Wall Switch Required	30" Self Supporting Liner (17 1/2" - 20 1/2" D)
Lighting		Power Cord Included	Yes	LINSPT361228
Type	Energy-Efficient LED			36" Self Supporting Liner (17 1/2" - 20 1/2" D)
# of Bulbs	Two - 4 Watt - 1 level			
Grease Filters				
Filter Type	Mesh			
Dishwasher Safe	Yes			
Easy Snap Clip Installation	Clips Included			

DIMENSIONAL DRAWINGS



Rev4 1022

800 Aviation Parkway, Smyrna, TN 37167 (508) 358-5353 | www.faberonline.com

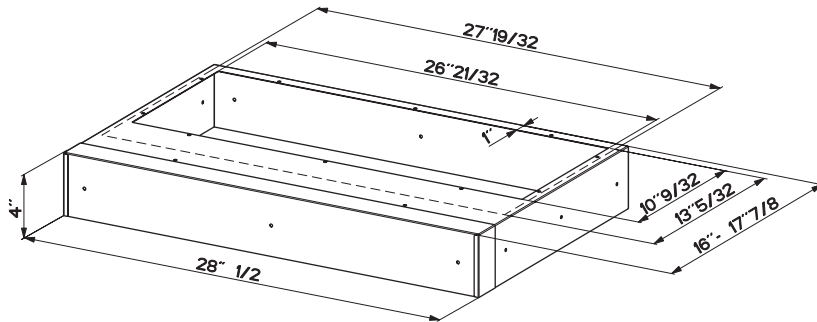


INSERT

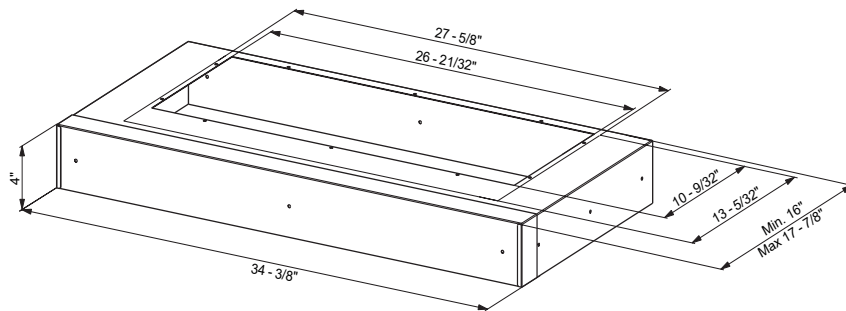
LINER SPECIFICATIONS

Liners are stainless steel kits that are optional for cabinet insert hoods. They create a metal perimeter to “line” the wood below the range hood with metal. They create a more finished look and move the range hood up creating additional capture area. In some cases, a liner may be required by local code if the cabinet starts at below 30” off the stove (check local building codes). All liners are adjustable in depth with a telescoping frame.

LINE30ST - USE WITH INSM28 ONLY FOR 30” WIDE CABINETS

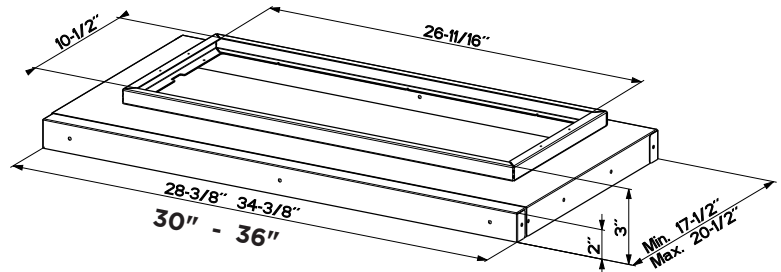


LINE36ST - USE WITH INSM28 ONLY FOR 36” WIDE CABINETS



LINSPT301228 / LINSPT361228 SELF SUPPORTING LINER USE WITH INSM28 ONLY

The liner is installed with screws against the walls of the cabinet, aligned with the cabinet bottom. The hood is installed onto the thick metal interior portion of the liner and is fully supported by the liner.



Rev4 1022