

VERSATILE BUILT IN VENT HOOD. The new and improved Inca Smart power pack is perfect for the homeowner who wants a built in range hood that fits into most cabinets and most budgets. This restyled Inca Smart Stainless is now available in 240, 400, 600 CFM with LED lighting!



NOW WITH TWO MAKE UP AIR COMPLIANT MODELS
*ALWAYS CHECK LOCAL CODES

NEW DESIGN & NEW 400, 600 CFM OPTIONS!

AVAILABLE MODELS

Model #	Size / Color	Motor Class (CFM)	Sound Levels (sones)
INSP28SS240	28 Stainless Steel	240 CFM	0.8 - 3.5
INSP28SS400	28 Stainless Steel	400 CFM	3.0 - 6.0
INSP28SS600	28 Stainless Steel	600 CFM	3.5 - 7.5

KEY FEATURES



Updated Electronic Push Buttons
Backlit electronic controls with a LED light to indicate the current speed. The indicator lights changes colors to indicate the new speed / function



LED Lighting
4 (W) LED energy efficient bulbs offer a warmer light for your cooking surface.



Easy Snap Mounting Clips
Installation made easy with built-in adjustable clips that tighten onto the sides of the cabinet floor

INCA SMART SS INSERT RANGE HOOD

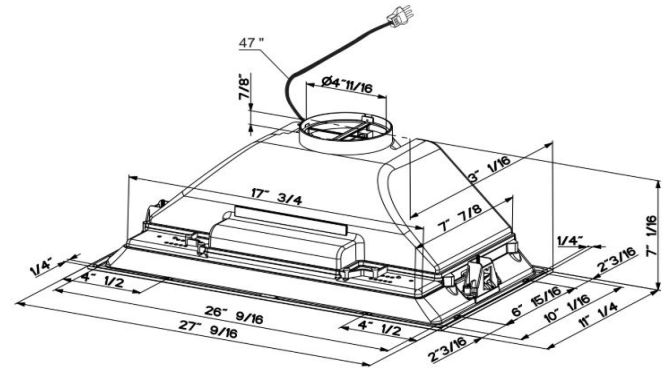


SPECIFICATIONS

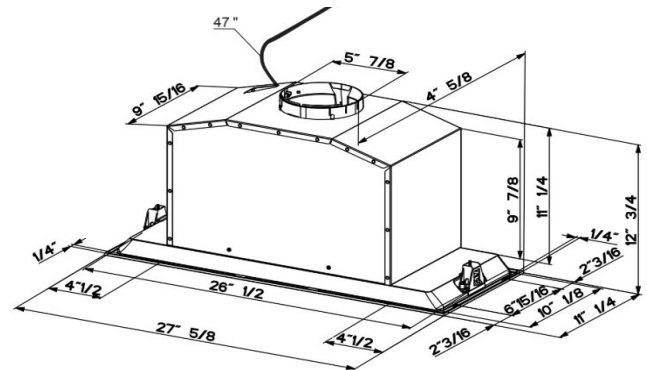
cut out dimensions	26 5/8" w x 10 1/4" d
body width depth	27 5/8" w X 11 1/4" d
height inside cabinet	7 1/16" (28SS240) / 12 3/4" (28SS400/600)
mounting height from cooking surface	24" - 30"
convertible to ductless	yes - FILTER4 - (SS240) FILTER1 / FILTER1LL (SS400/SS600)
controls	4 speed electronic push w/multi-colored LED
lighting	2 X 4 (w) LED - 1 Level
ducting top	5" round (SS240) / 6" round (SS400 & 600)
grease filters	dishwasher safe mesh
built in mounting hardware	yes - easy snap mounting clips
10 minute intensive speed	yes
power cord included	yes- wirebox optional (SS400/SS600)

DIMENSIONS

INSP28SS240



INSP28SS400 / 600



PERFORMANCE

MODEL	1	2	3	4
INSP28SS240	65	130	195	240
INSP28SS400	150	250	350	390
INSP28SS600	150	295	395	560

Inca Smart SS 240 Accessories

FILTER4 - Charcoal Filter Kit

High quality charcoal filter for use when recirculating the air back into the kitchen. Filters out odor and should be replaced every 6 months. Some ductwork is required to exhaust the unit out of the cabinet.

LINE30ST / LINE36ST - Stainless Steel Liner 30 & 36"

Create a perfectly sealed, non-combustible 4" tall perimeter to "line" the wood below the Inca Smart. Depth adjustable from 16" - 17 7/8". [SEE PAGE 3 FOR MORE INFO](#)

Inca Smart SS 400/600 Accessories

FILTER1 - Charcoal Filter Kit

High quality charcoal filter for use when recirculating the air back into the kitchen. Filters out odor and should be replaced every 6 months.

WIREBOX - Fixed Wiring Box

Replace the power cord with a hard wired box to power the range hood.

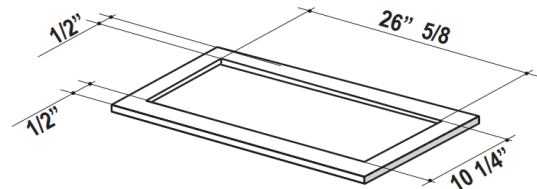
FILTER1LL - Long Lasting Charcoal Filter Kit

New washable charcoal filter can be recharged and washed up to 8 times. For use when recirculating the air back into the kitchen. Filters out odor and can last up to 4 years.

LINE30ST / LINE36ST - Stainless Steel Liner 30 & 36"

Create a perfectly sealed, non-combustible 4" tall perimeter to "line" the wood below the Inca Smart. Depth adjustable from 16" - 17 7/8". [SEE PAGE 3 FOR MORE INFO](#)

CUT OUT (ALL MODELS)



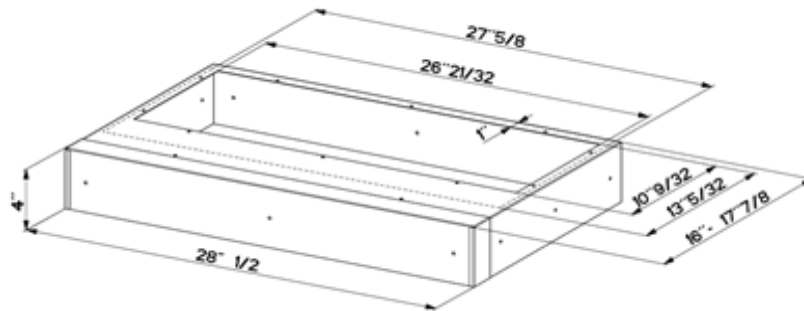
WARNING! Product specifications are subject to change without notification. Consult the installation instructions before you begin installing this range hood. * Check local make up air codes for guidelines.



LINER SPECIFICATIONS

Liners are stainless steel kits that are optional for cabinet insert hoods. They create a metal 4" tall perimeter to "line" the wood below the range hood with metal. They create a more finished look and move the range hood up 4" creating additional capture area. In some cases, a liner may be required by local code if the cabinet starts at below 30" off the stove (check local building codes). All liners are adjustable in depth with a telescoping frame.

LINE30ST - USE WITH INSP28 ONLY FOR 30" WIDE CABINETS



LINE36ST - USE WITH INSP28 ONLY FOR 36" WIDE CABINETS

