

LEVANTE II

PRO & UNDER CABINET

TIMELESS, COMFORTABLE, VERSATILE

The simplicity that makes you love it and the ease of use that improves everyday life, with the certainty of constant and enduring reliability.

Levante range hoods are also easy to clean and that satisfies all practical requirements while being remarkably effective in neutralizing fumes, vapors, and odors in the kitchen, making the environment even more comfortable.

AVAILABLE MODELS

Model #	Size / Color	Motor Class (CFM)
LEVT30SS395	30" Stainless Steel	395 CFM PRO
LEVT36SS395	36" Stainless Steel	395 CFM PRO



THE **ENERGY-EFFICIENT** ENERGY MOTOR ALLOWS FOR LONGER DUCT RUNS, **IMPROVING PERFORMANCE**, REDUCING NOISE AND GIVING YOU GREATER INSTALLATION OPTIONS.



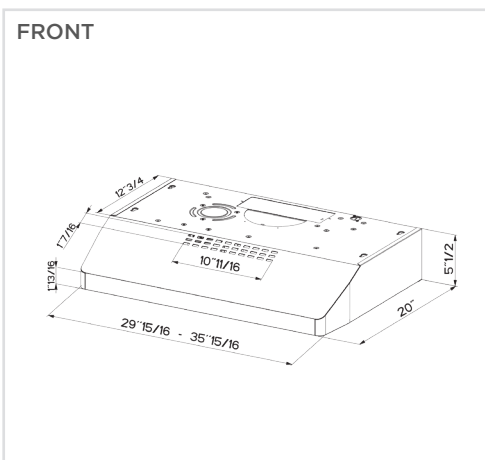
LEVANTE II



MODEL	SIZE/MATERIAL	MOTOR CLASS
LEVT30SS395	30 Stainless Steel	395 CFM PRO
LEVT36SS395	36 Stainless Steel	395 CFM PRO

FEATURES		PERFORMANCE		ACCESSORIES
Dimensions		Motor		FILTER5
Canopy Depth-Height	21" D x 5 1/2" H	No. of Fan Speed	4	Charcoal Filter Kit
Ducting		Motor Class	395 CFM	REMORIG
Type	Ducted/Ductless	Energy-Efficient Motor	Yes	Wireless Remote Control
Top Vent	Vari-Duct 7" Round, 3 1/4" x 10" Rectangle	Display		
Rear Vent	Vari-Duct 3 1/4" x 10" Rectangle	Controls	Electronic with White LED	
Lighting		Intensive Speed Delay Shut-off	10 Minutes 15 Minutes	
Type	Energy-Efficient LED	Other		
# of Bulbs	Two - 5 Watt - 1 Level	ADA Compliant	With Remote Control	
Grease Filters		Remote Control	Purchase Separately	
Filter Type	Stainless Steel Mesh	Fixed Wiring Box	Yes	
Dishwasher Safe	Yes			

DIMENSIONAL DRAWINGS



Rev2 722