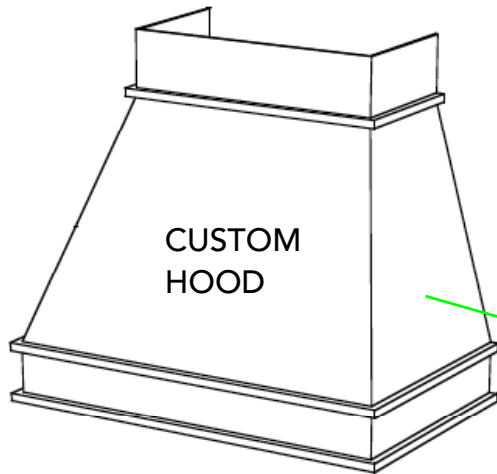


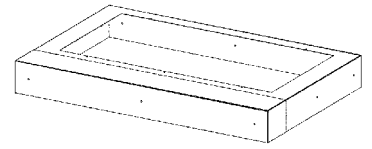
# Liners

# Built - In Collection

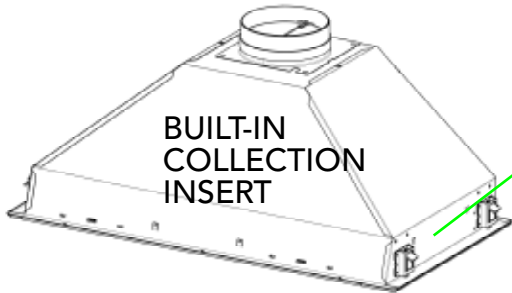
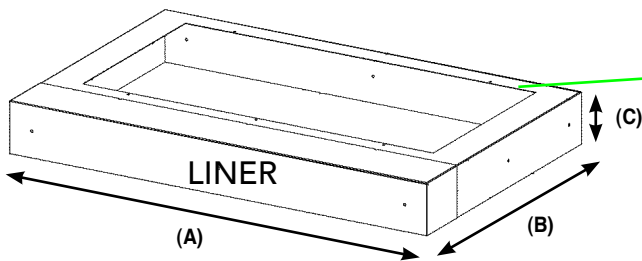
protect and complete the look of your custom/wood hood



Designed to be installed with our Built-In Collection Inserts, Liners create a perfectly-sealed, non-combustible finish for the underside of your custom/wood hood.



Pictured below: ProLiner 36 with Inca Pro 30 Insert inside a maple custom wood hood.



- designed to work with our Built-In Collection Inserts
- non-combustible protection for your custom/wood hood
- available in Standard or Professional depths
- adjustable depth for a perfect fit
- easy to clean
- stainless steel
- for 30", 36" wide installations
- 4" height for maximum capture area
- easy to install

Liner Name	Liner Model#	Suggested Custom Hood Width	Actual Liner Width (A)	Depth Adjustment (B)	Height (C)	For Use with Built-In Collection Insert Models	Suggested Cooking Surface Type
Standard Liner 30	LINE30ST	30"	28 1/2"	16" - 17 7/8"	4"	Inca Smart 250 cfm (INSM28GR / INSM28SS) OR Inca HC SS 600 cfm (INHC29SS)	standard
Standard Liner 36	LINE36ST	36"	34 3/8"	16" - 17 7/8"	4"	Inca Smart 250 cfm (INSM28GR / INSM28SS) OR Inca HC SS 600 cfm (INHC29SS)	standard
ProLiner 36	LINE36PR	36"	34 3/8"	21" - 25"	4"	Inca Pro 30 600 cfm (INPR30SSIB)	professional

**1. CHOOSE YOUR INSERT FROM THE BUILT-IN COLLECTION** - The Insert houses the motor, lights, controls, and grease filters. Choose an Insert with the appropriate cfm for your cooking surface type (standard or professional).  
**2. CHOOSE YOUR LINER** - The Liner completes the look and protects the underside of your custom/wood hood. Choose a Liner that is designed to be installed with your Insert in the width of your choice, based on the chart above.

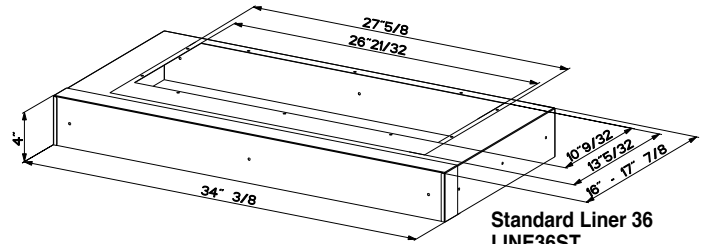
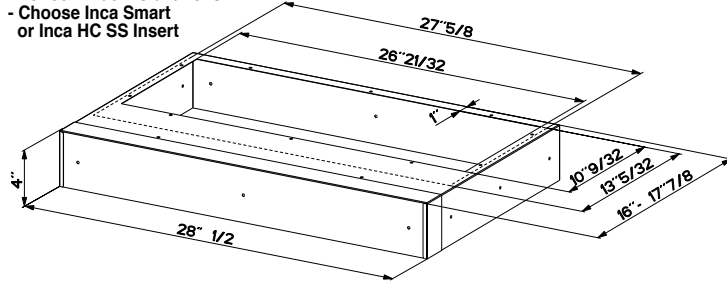
## Liner Dimensional Diagrams

### Standard Liners - adjustable depth for standard cooking surfaces

Create a perfectly-sealed, non-combustible perimeter around the **Inca Smart** or **Inca HC SS Insert**. Designed for 30" and 36" wide installations. Depth adjustable from 16" - 17 7/8". Note: Standard Liners are pre-cut for installation of **Inca Smart**. For installations with the **Inca HC SS**, remove the additional perforated section.

#### Standard Liner 30 LINE30ST

- For 30" wide installations
- Choose Inca Smart or Inca HC SS Insert



#### Standard Liner 36 LINE36ST

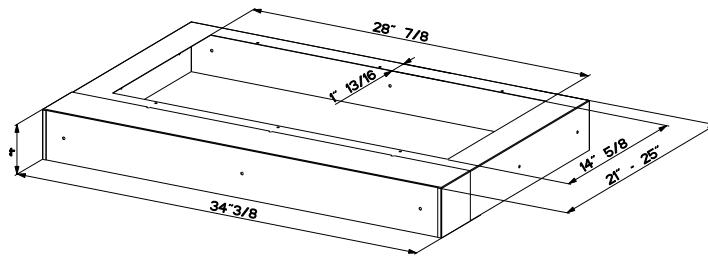
- For 36" wide installations
- Choose Inca Smart or Inca HC SS Insert

### ProLiners - adjustable depth for professional cooking surfaces

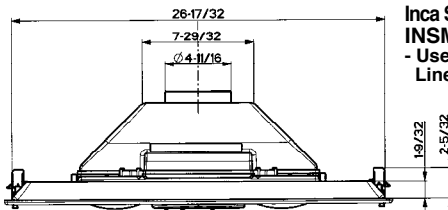
Create a perfectly-sealed, non-combustible perimeter around the **Inca Pro 30**. Designed for 36" wide installations. Depth adjustable from 21" - 25"

#### ProLiner 36 LINE36PR

- For 36" wide installations
- Use with Inca Pro 30 Insert



## Insert Dimensional Diagrams

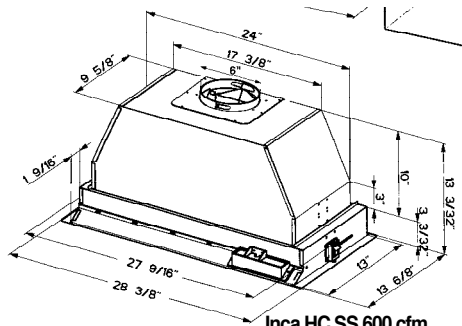
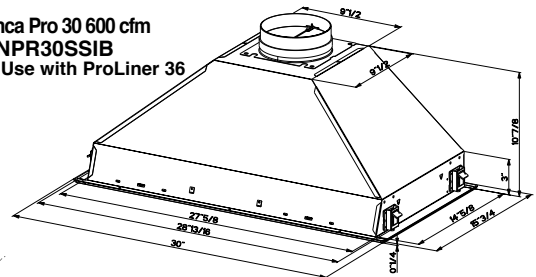


#### Inca Smart 250 cfm INSM28GR / INSM28SS

- Use with Standard Liner 30 or 36

#### Inca Pro 30 600 cfm INPR30SSIB

- Use with ProLiner 36



#### Inca HC SS 600 cfm INHC29SS

- Use with Standard Liner 30 or 36

**WARNING!** Product specifications are subject to change without notification. Consult the installation instructions before you begin installing this rangehood.